



US00D774757S

(12) **United States Design Patent** (10) **Patent No.:** **US D774,757 S**
Bournay, Jr. et al. (45) **Date of Patent:** **** Dec. 27, 2016**

(54) **TRAVEL CASE**

(71) Applicant: **Whirlpool Corporation**, Benton Harbor, MI (US)
(72) Inventors: **Fred Bournay, Jr.**, Dowagiac, MI (US); **John W. McConnell**, St. Joseph, MI (US); **Leif A. Norland**, St. Joseph, MI (US); **Joel Graham Van Faasen**, Holland, MI (US); **ZhaoYi Yin**, Benton Harbor, MI (US)
(73) Assignee: **Whirlpool Corporation**, Benton Harbor, MI (US)

(**) Term: **15 Years**

(21) Appl. No.: **29/526,844**

(22) Filed: **May 13, 2015**

(51) **LOC (10) Cl.** **03-01**

(52) **U.S. Cl.**
USPC **D3/276; D3/284; D3/294; D3/905**

(58) **Field of Classification Search**
USPC **D3/273, 274, 275, 276, 281, 282, 284, D3/292, 294, 295, 296, 302, 905, 901, D3/903, 205, 206; D19/83**
(Continued)

(56) **References Cited**

U.S. PATENT DOCUMENTS

D335,220 S * 5/1993 Ward D3/302
D335,896 S * 5/1993 Evenson D19/83
(Continued)

OTHER PUBLICATIONS

Google.com Image search, "5 speed hand blender kitchenaid", Searched on Apr. 5, 2016.*

Primary Examiner — Jennifer Rivard
Assistant Examiner — April Rivas

(57) **CLAIM**

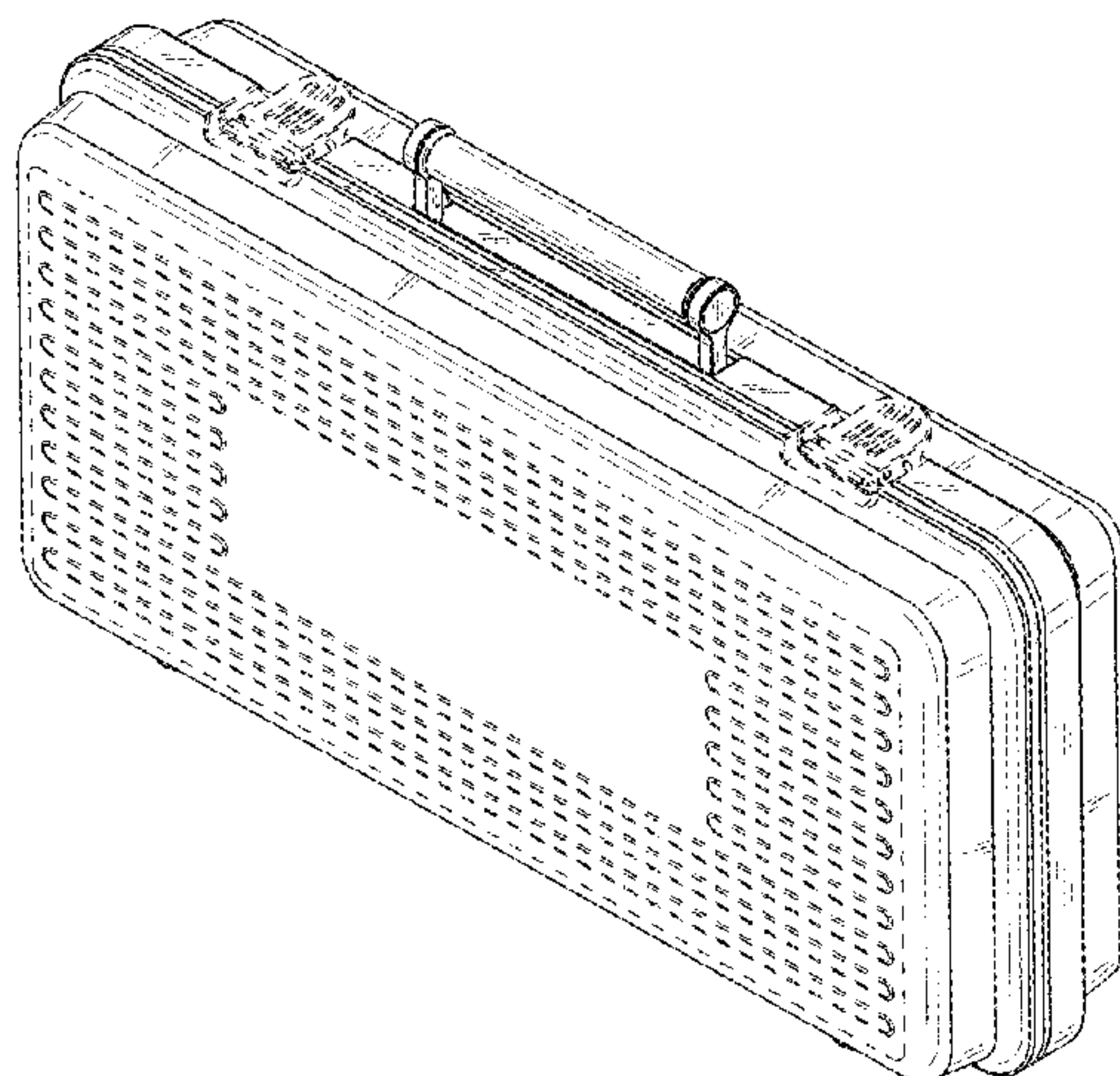
We claim the ornamental design for a travel case, as shown and described.

DESCRIPTION

FIG. 1 is a front perspective view of a travel case in a closed condition;
FIG. 2 is a rear perspective view of the travel case of FIG. 1;
FIG. 3 is a front elevational view of the travel case of FIG. 1;
FIG. 4 is a rear elevational view of the travel case of FIG. 1;
FIG. 5 is a first side elevational view of the travel case of FIG. 1;
FIG. 6 is a second side elevational view of the travel case of FIG. 1;
FIG. 7 is a top plan view of the travel case of FIG. 1;
FIG. 8 is a bottom plan view of the travel case of FIG. 1;
FIG. 9 is a top perspective view of the travel case of FIG. 1 in an opened condition;
FIG. 10 is a bottom perspective view of the opened travel case of FIG. 9;
FIG. 11 is a top elevational view of the opened travel case of FIG. 9;
FIG. 12 is a bottom elevational view of the opened travel case of FIG. 9;
FIG. 13 is a first side elevational view of the opened travel case of FIG. 9;
FIG. 14 is a second side elevational view of the opened travel case of FIG. 9;
FIG. 15 is a top plan view of the opened travel case of FIG. 9; and,
FIG. 16 is a bottom plan view of the opened travel case of FIG. 9.

The broken lines illustrate portions of the travel case. The broken lines and the unshaded areas therein form no part of the claimed design.

1 Claim, 9 Drawing Sheets



(58) **Field of Classification Search**

CPC A45C 5/04; A45C 11/00; A45C 13/02;
A47J 2043/0738

See application file for complete search history.

(56) **References Cited**

U.S. PATENT DOCUMENTS

D355,360	S	*	2/1995	Mund	D3/294
D527,182	S	*	8/2006	Ham	D3/274
D579,201	S	*	10/2008	Galli	D3/273
D582,674	S	*	12/2008	Meyerspeer	D3/280
D606,308	S	*	12/2009	Cheng-Wei	D3/294
D613,054	S	*	4/2010	Morszeck	D3/205
D619,810	S	*	7/2010	Huang	D3/276
D638,217	S	*	5/2011	von Gottberg	D3/281
D711,105	S	*	8/2014	Brunner	D3/281
D718,048	S	*	11/2014	Hsu	D3/273
D718,049	S	*	11/2014	Hsu	D3/273

* cited by examiner

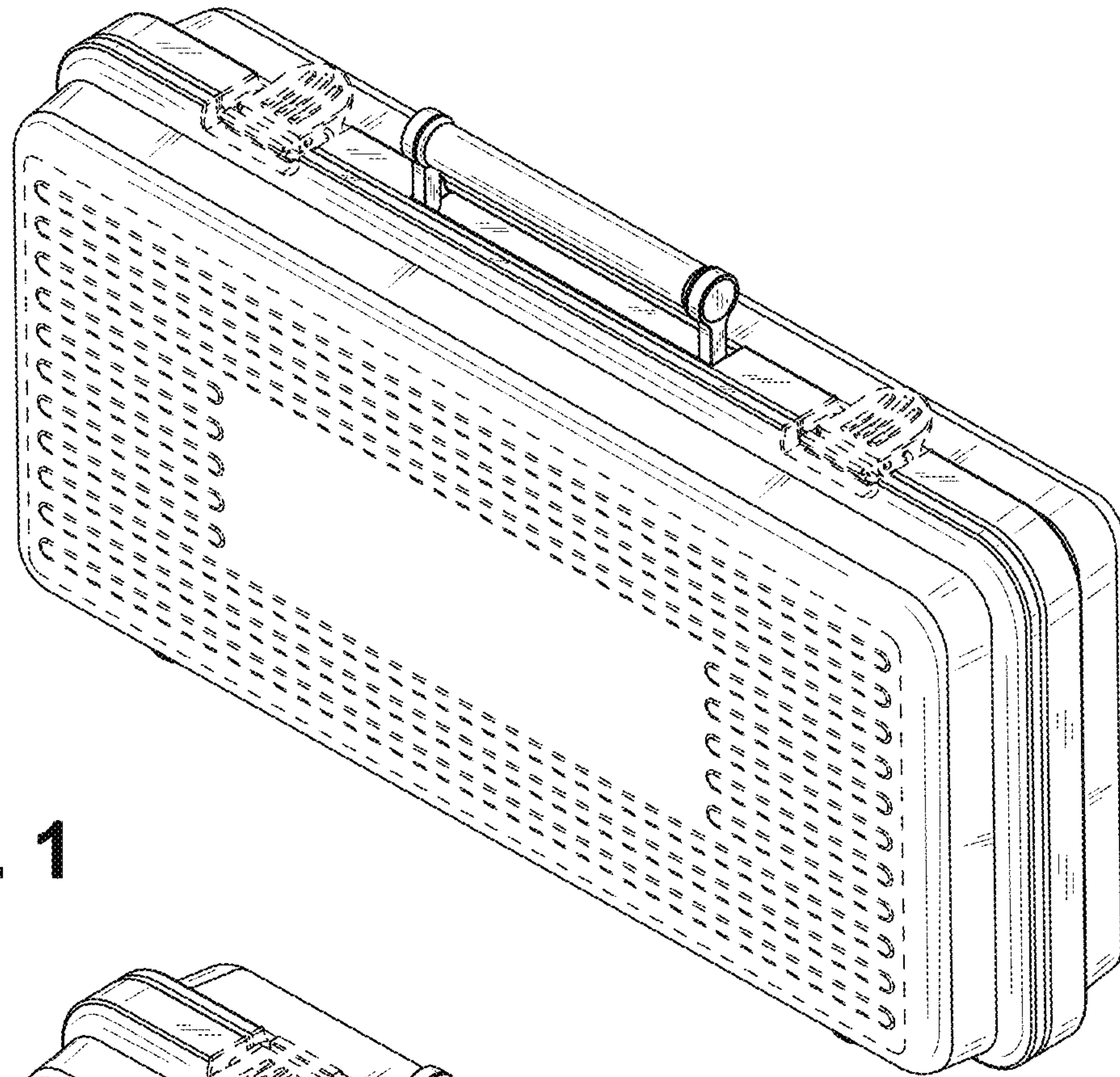


FIG. 1

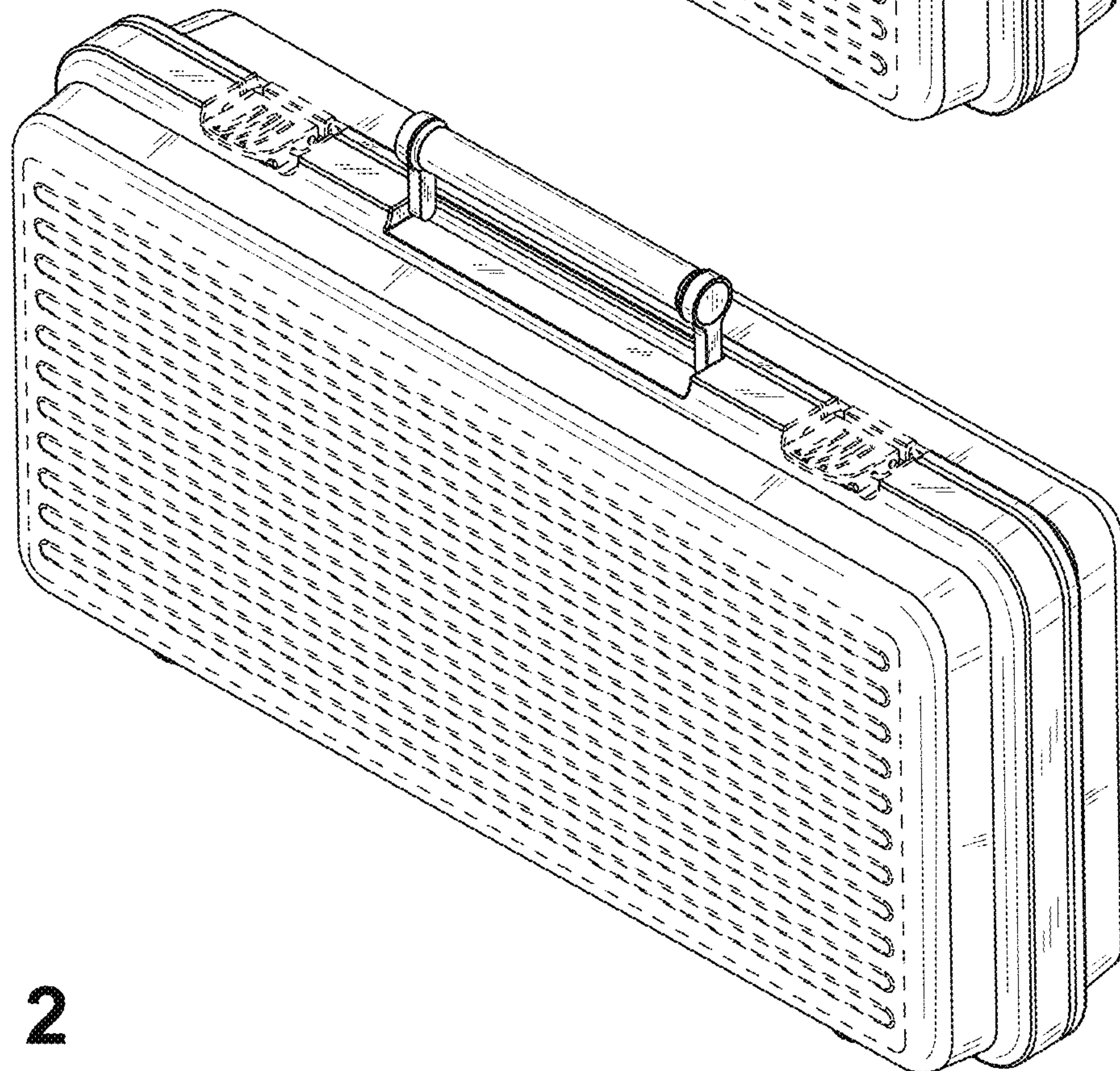


FIG. 2

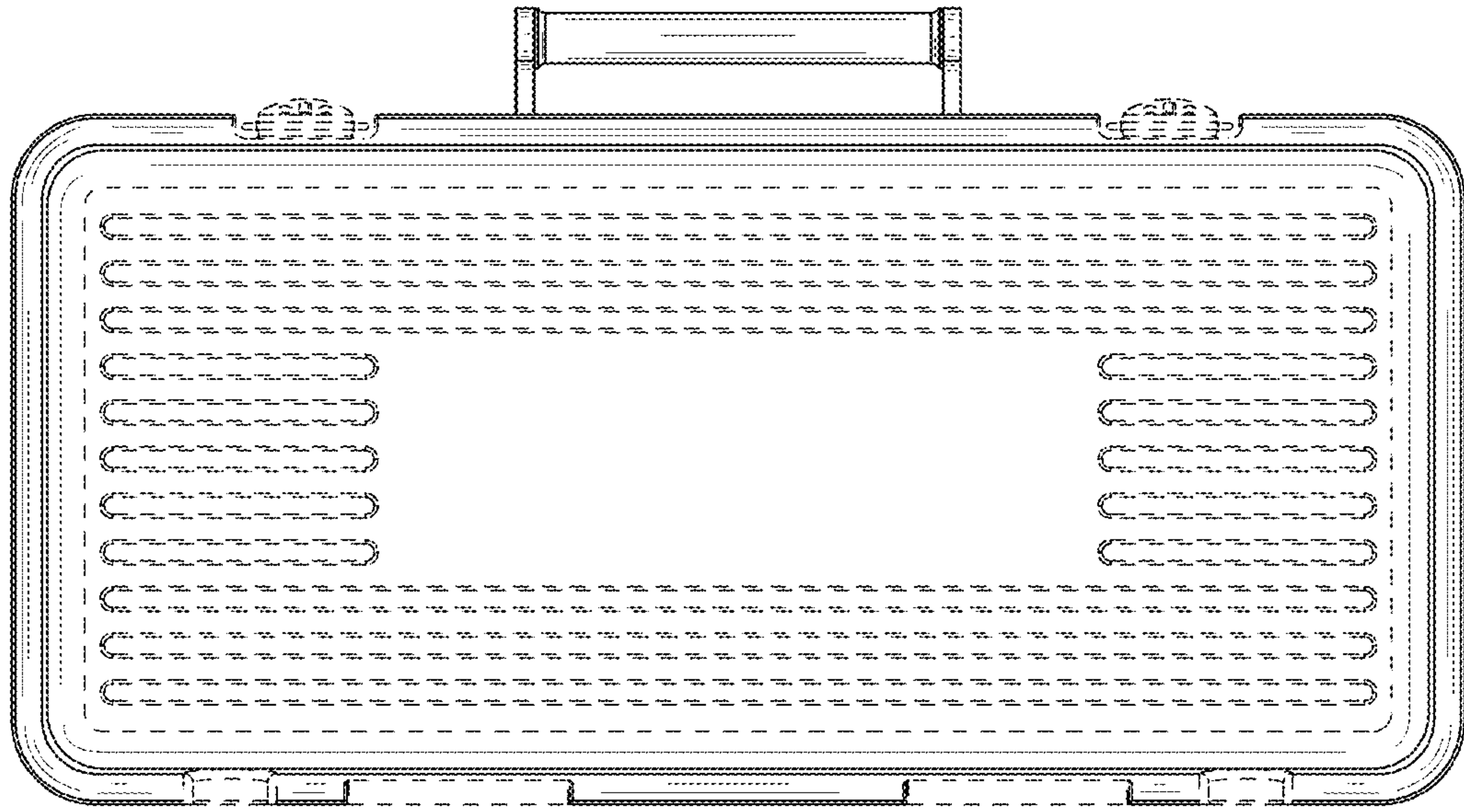


FIG. 3

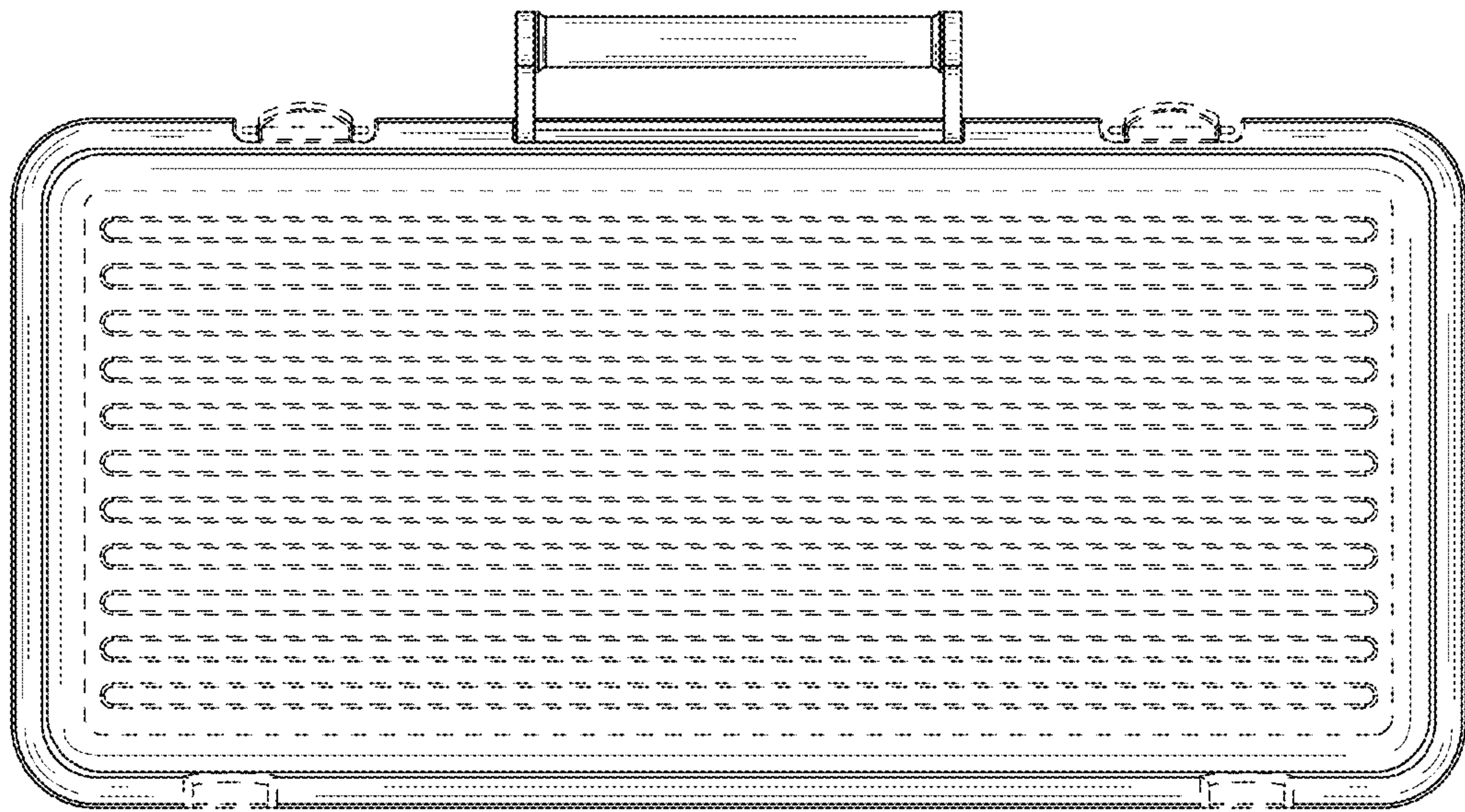


FIG. 4

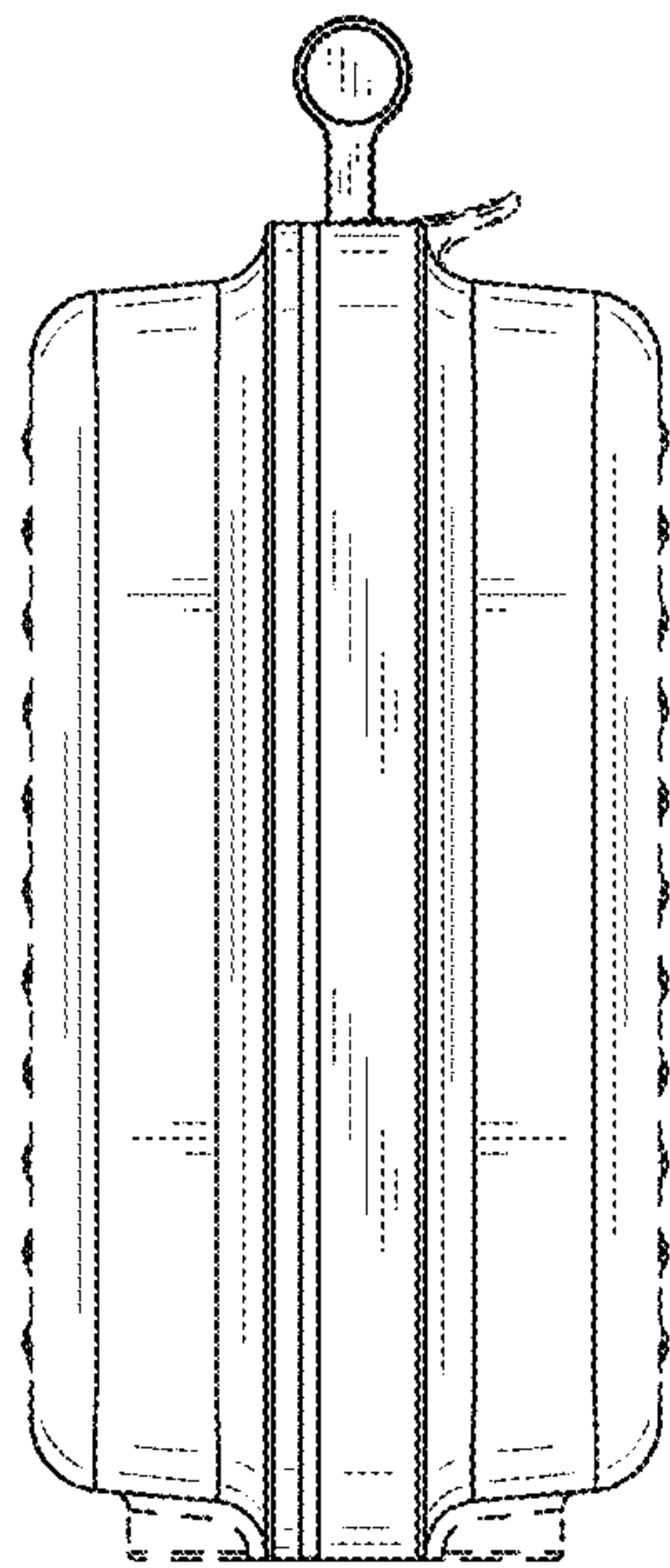


FIG. 5

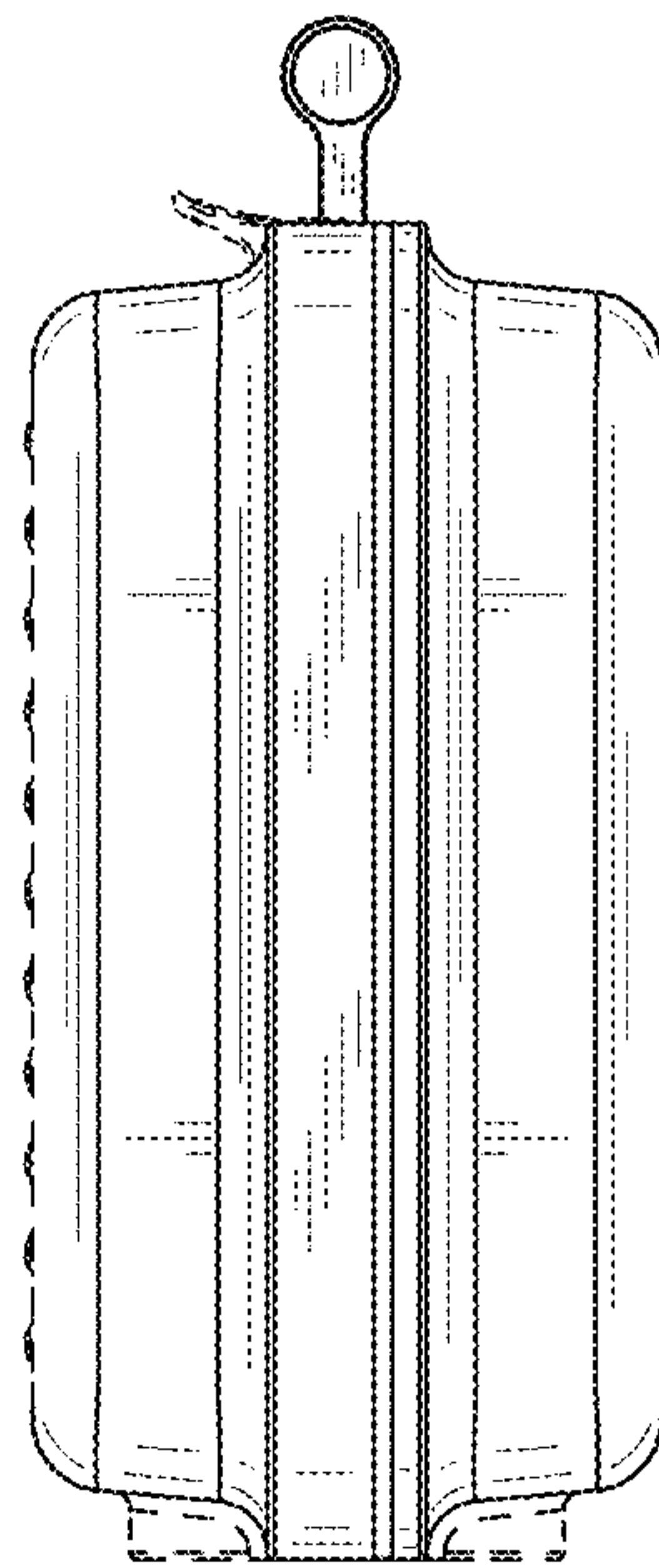


FIG. 6

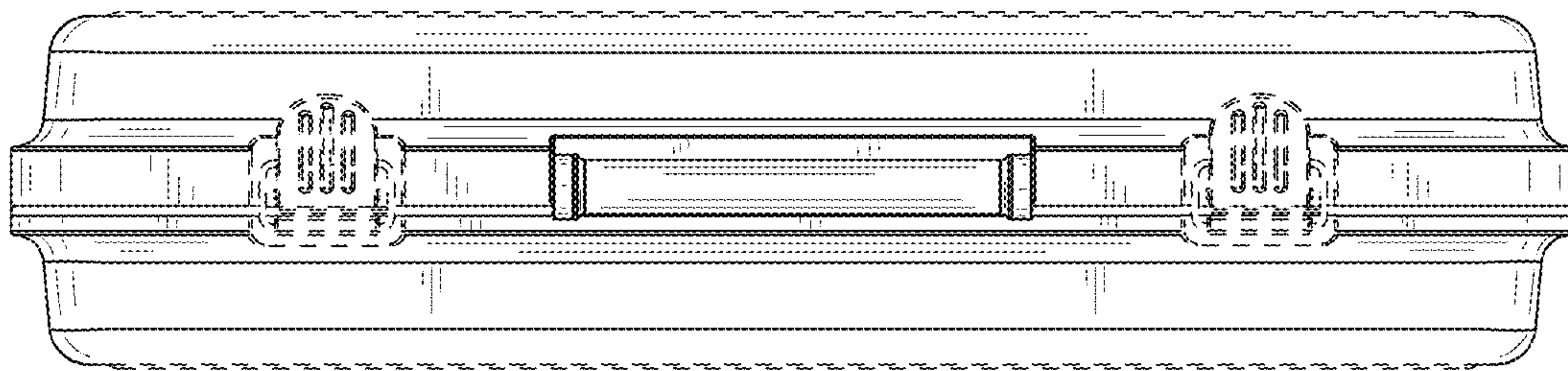


FIG. 7

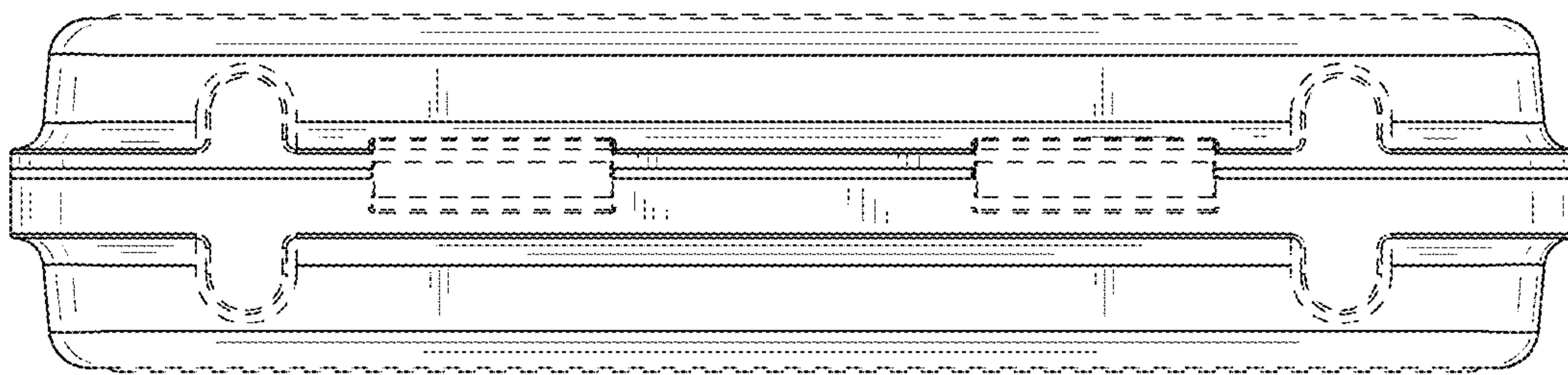


FIG. 8

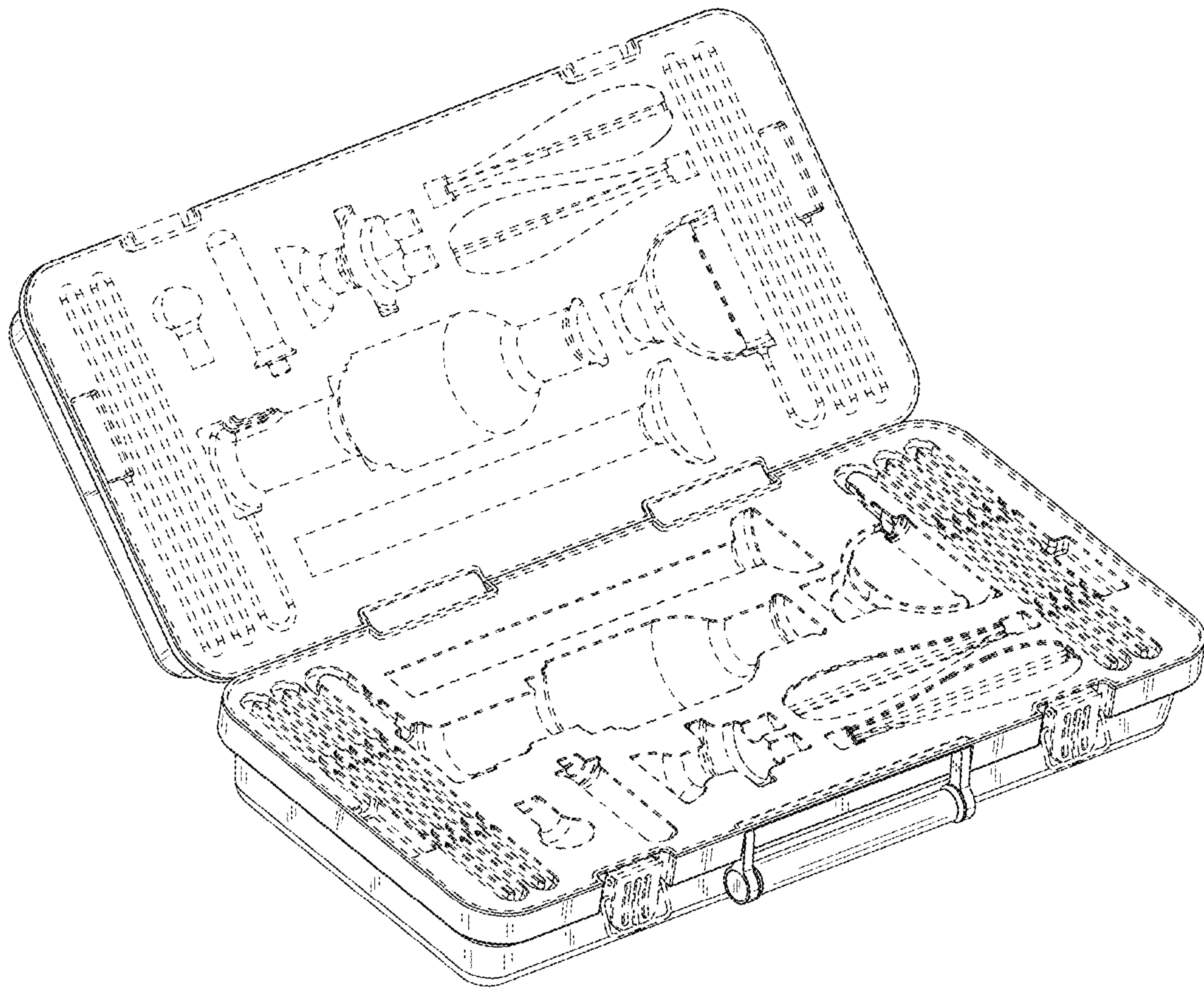


FIG. 9

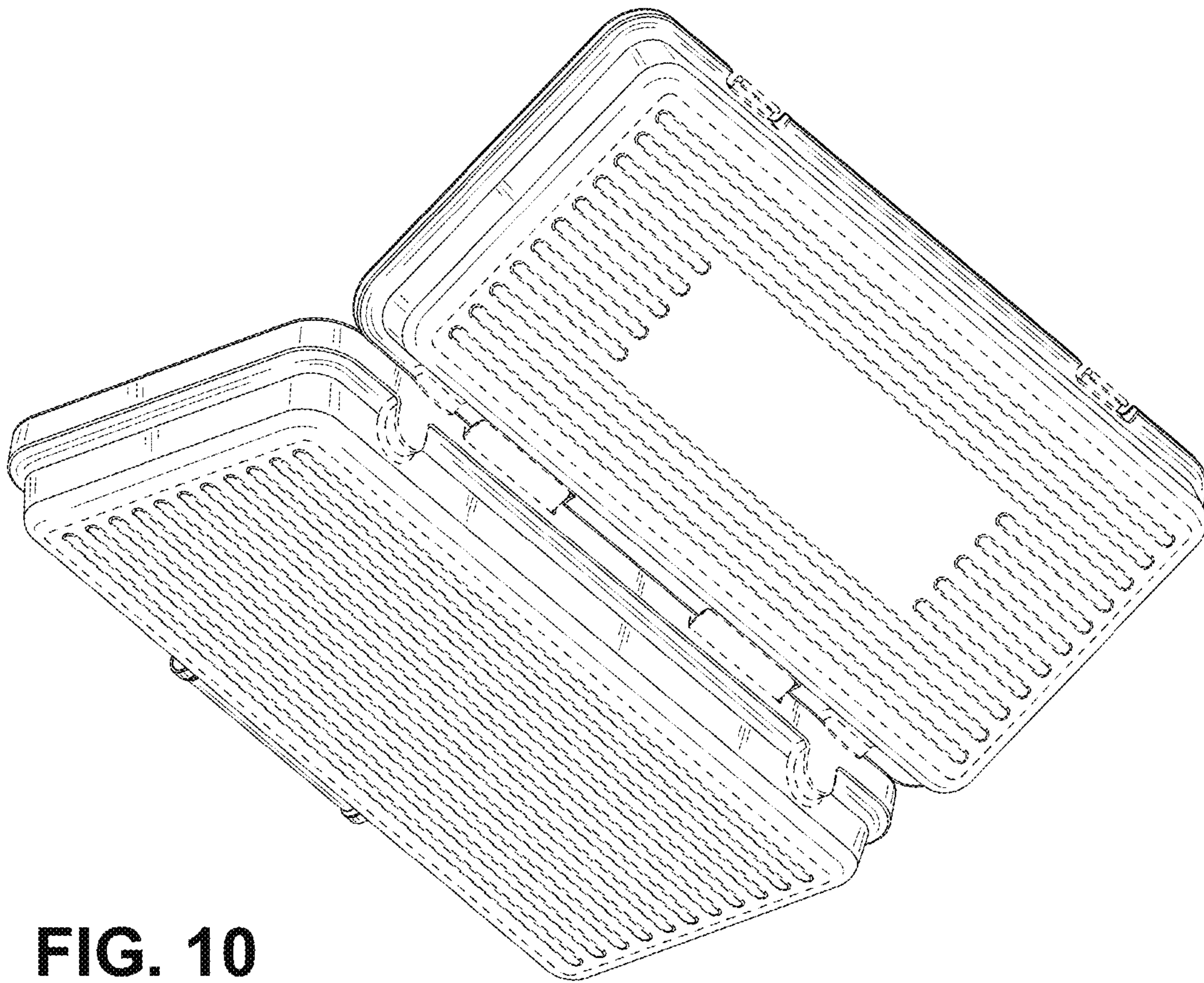


FIG. 10

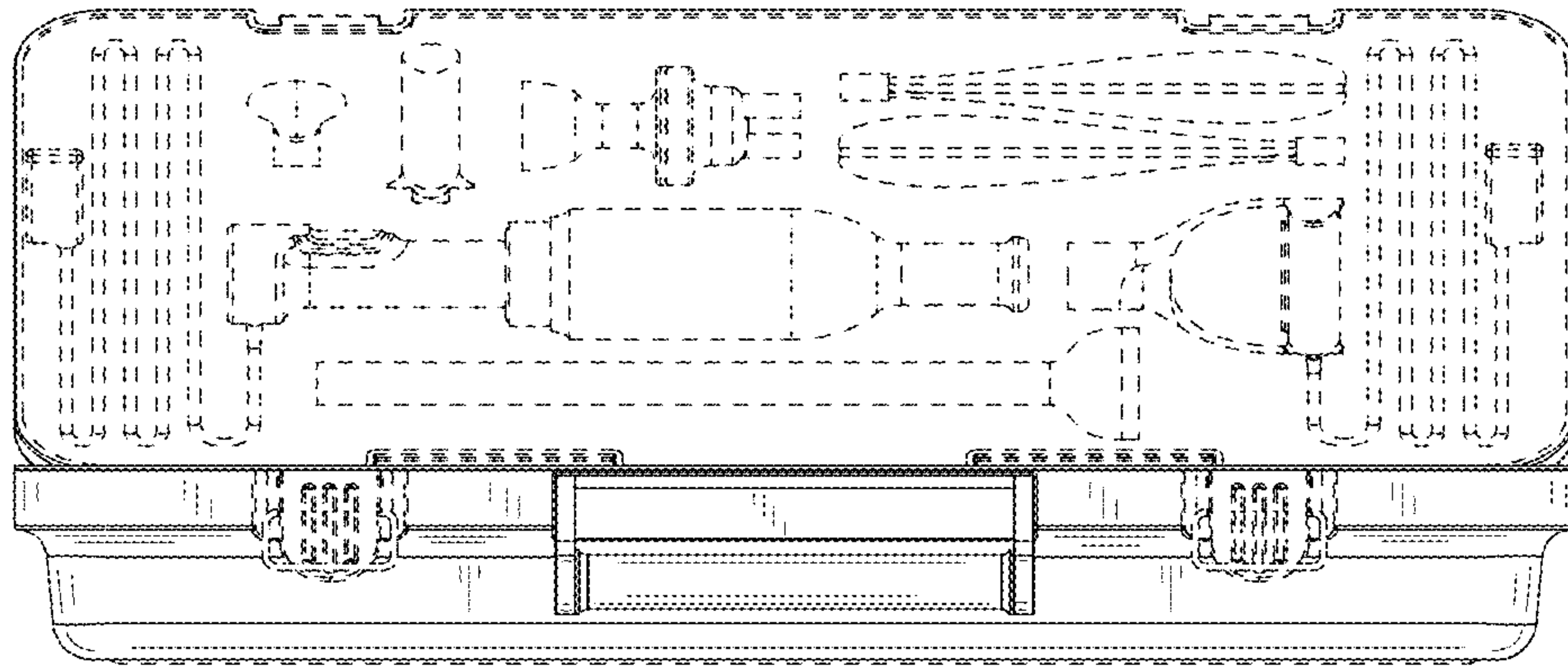


FIG. 11

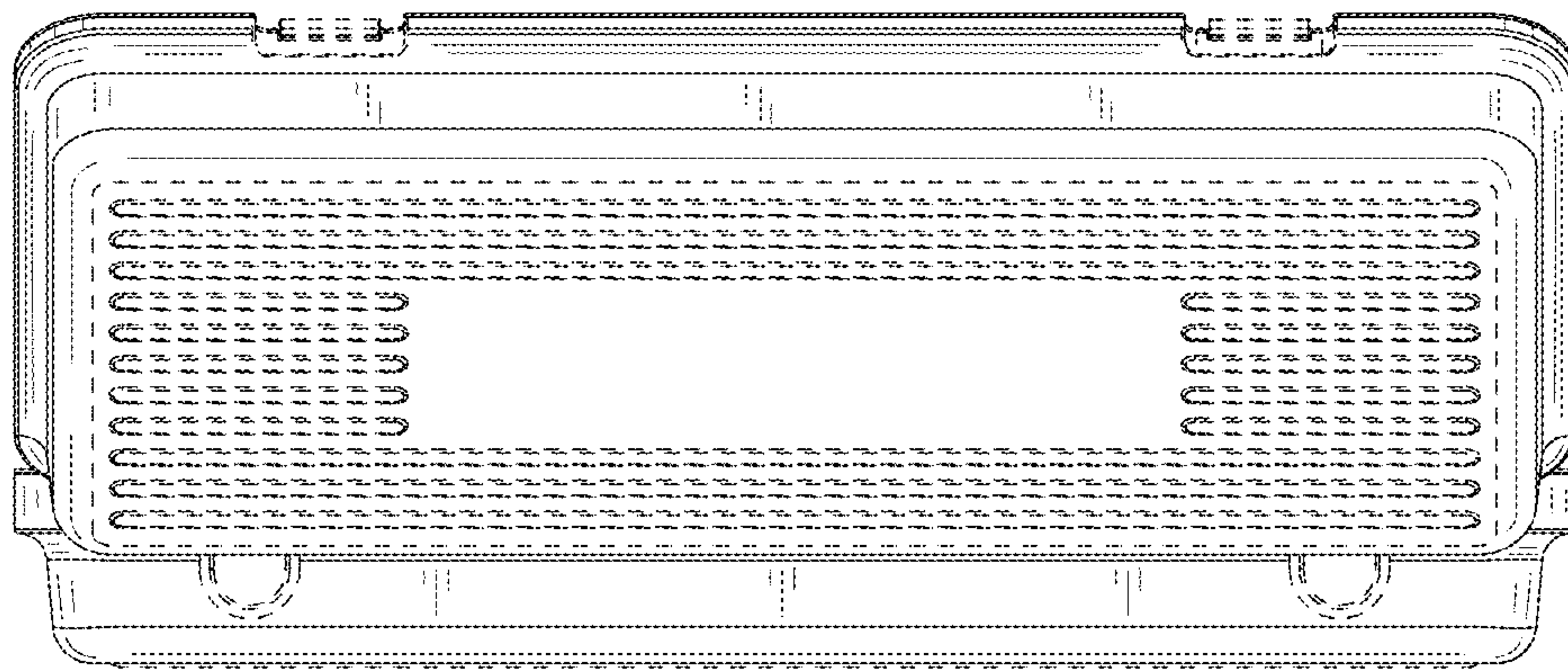


FIG. 12

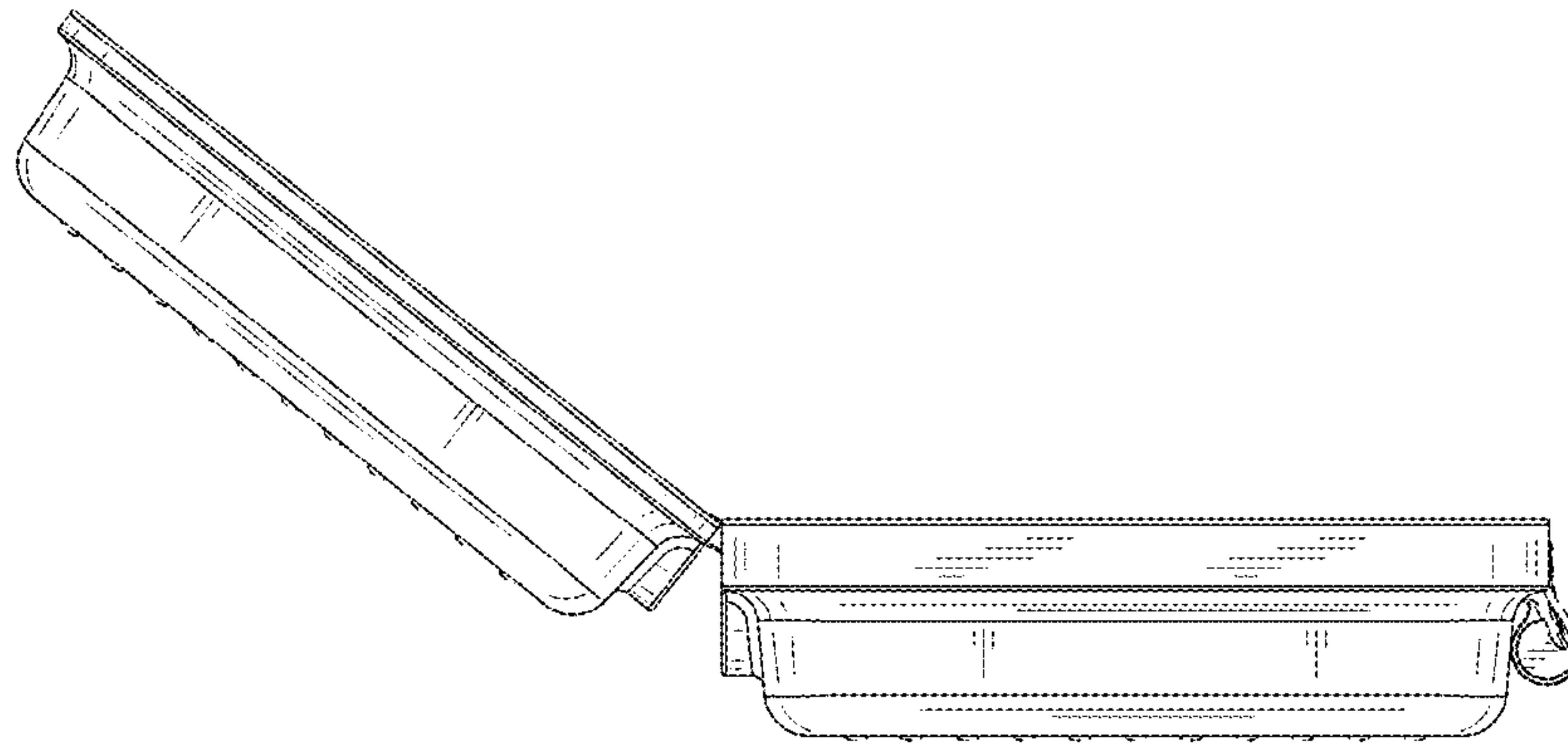


FIG. 13

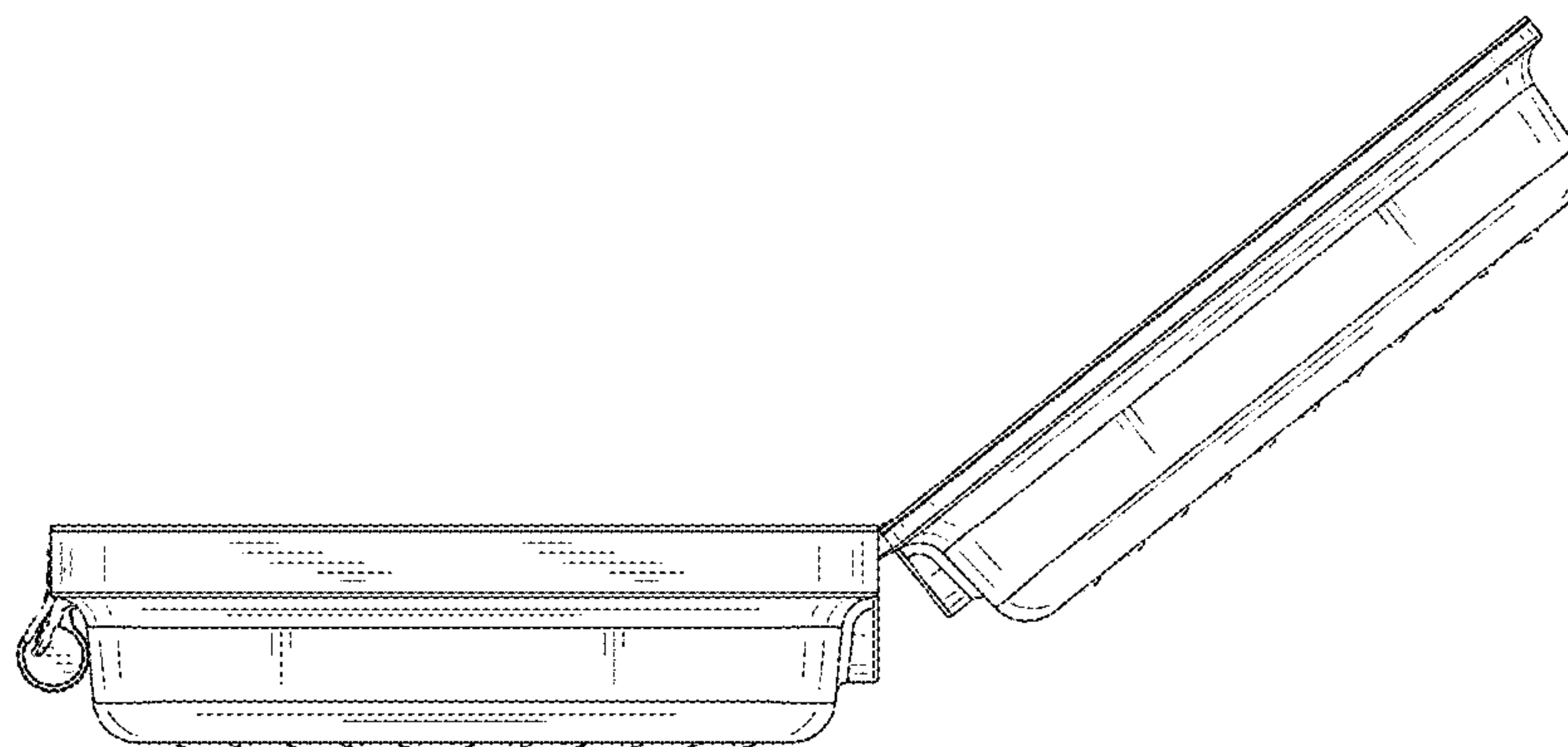


FIG. 14

