



US00D774754S

(12) **United States Design Patent** (10) **Patent No.:** **US D774,754 S**  
**Moreau et al.** (45) **Date of Patent:** **\*\* Dec. 27, 2016**

(54) **TOOL HOLDER FOR T-SHAPED TOOLS**  
(71) Applicant: **Ty-Flot, Inc.**, Manchester, NH (US)  
(72) Inventors: **Darrell A. Moreau**, Manchester, NH (US); **Andre W. Moreau**, Bedford, NH (US)  
(73) Assignee: **Ty-Flot, Inc.**, Manchester, NH (US)

D248,066 S \* 6/1978 Hillinger ..... D3/228  
D253,019 S \* 10/1979 Hillinger ..... D3/228  
D258,550 S \* 3/1981 Strauss ..... 224/673  
D261,197 S \* 10/1981 Rowswell ..... 224/904  
D271,252 S \* 11/1983 Sickler ..... D3/228  
4,457,462 A \* 7/1984 Taormina ..... B25H 3/00  
224/269  
4,936,499 A \* 6/1990 Gulley ..... A45F 5/02  
206/364

(Continued)

(\*\*) Term: **15 Years**

**OTHER PUBLICATIONS**

(21) Appl. No.: **29/541,532**

ITS Tools Website, "Makita P71875 Makita Gated Hammer Holder (Blue)" (Sep. 17, 2015), available at [http://www.its.co.uk/pd/P71875-Makita-Gated-Hammer-Holder-Blue-\\_MAKP71875.htm](http://www.its.co.uk/pd/P71875-Makita-Gated-Hammer-Holder-Blue-_MAKP71875.htm).

(22) Filed: **Oct. 5, 2015**

(51) **LOC (10) Cl.** ..... **03-01**

(52) **U.S. Cl.**

USPC ..... **D3/228**; D8/71

(58) **Field of Classification Search**

USPC .... D8/16, 19, 349, 354, 355, 363, 364, 366, D8/370-373, 376, 380, 382, 384-386; D6/553, 550, 323; D23/223, 238, 252, D23/257; D11/208; D20/15, 41, 42; D12/416; D25/38.1, 39, 43; D3/210, 228; D13/133, 146-148, 154, 184, 199  
CPC ..... B25H 3/006; B25H 3/02; B25H 3/00; B25H 3/003; F41C 33/02; F41C 33/006; F41C 33/041; Y10T 24/1394; Y10T 24/13; Y10T 24/1388; Y10T 24/1391; A41D 13/0012; A41D 13/0015; A41D 27/20; A41F 9/00; F16B 2/08; F16B 45/02; F41B 15/02; F41B 5/1461; G03B 17/561

See application file for complete search history.

*Primary Examiner* — Robert M Spear

*Assistant Examiner* — Eliza Bennett-Hattan

(74) *Attorney, Agent, or Firm* — Mesmer & Deleault

PLLC; Ross Krutsinger

(57) **CLAIM**

The ornamental design for a tool holder for T-shaped tools, as shown and described.

**DESCRIPTION**

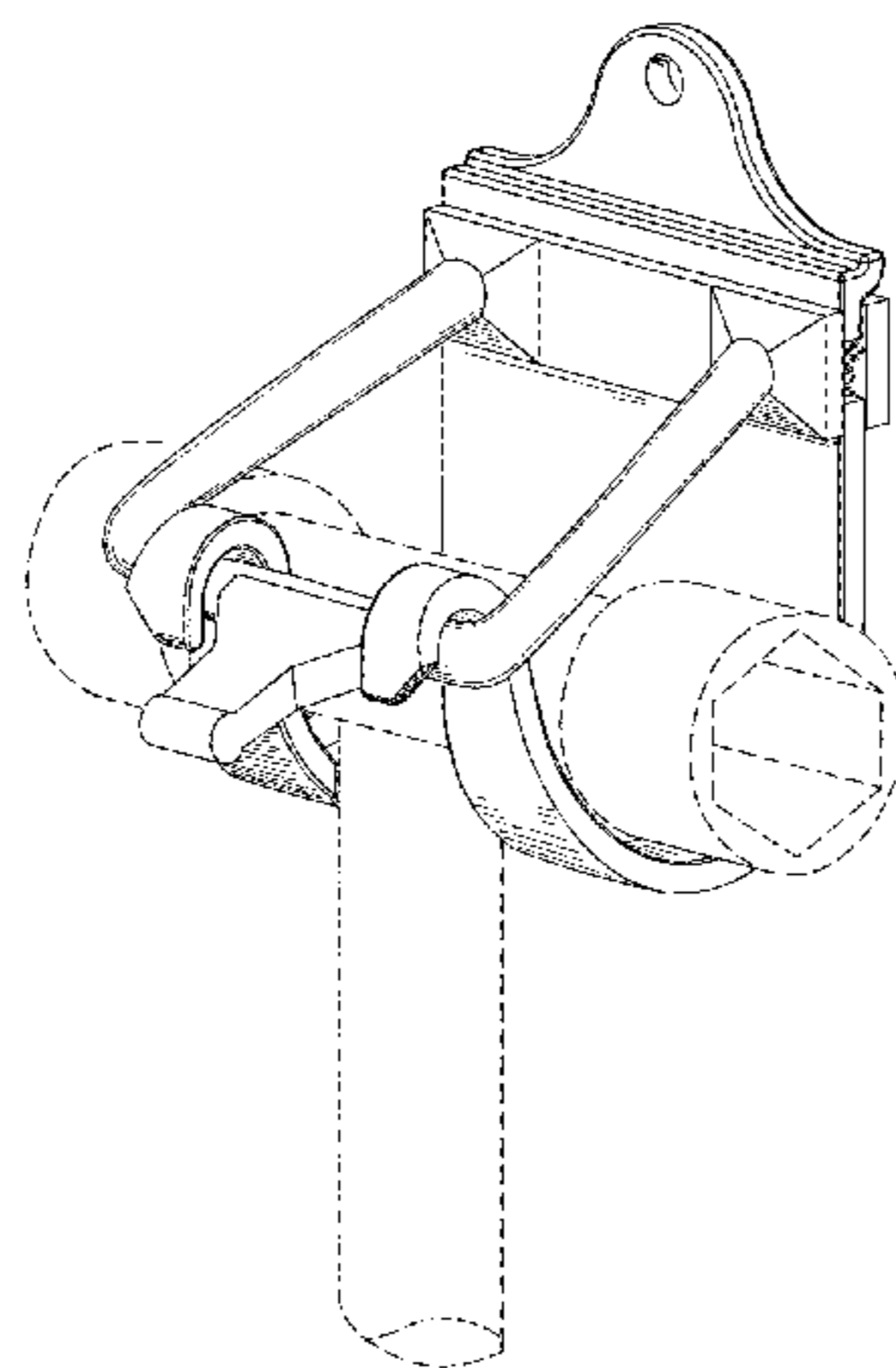
FIG. 1 is a right and front perspective view of a tool holder for T-shaped tools showing our new design with a rigid body and a resilient retaining member; FIG. 2 is left and rear perspective view thereof; FIG. 3 is a left-side elevational view thereof; FIG. 4 is a right-side elevational view thereof; FIG. 5 is a front elevational view thereof; FIG. 6 is a rear elevational view thereof; FIG. 7 is a top plan view thereof; FIG. 8 is bottom plan view thereof; and, FIG. 9 is a right and front perspective view of the tool holder for T-shaped tools shown in an alternate position of use holding a T-shaped tool. wherein objects illustrated in broken lines form no part of the claimed design.

(56) **References Cited**

**U.S. PATENT DOCUMENTS**

D24,287 S \* 5/1895 Snedden ..... D8/370  
D31,591 S \* 10/1899 Fox ..... D8/373  
D32,899 S \* 7/1900 Elliott ..... D12/407  
3,266,111 A \* 8/1966 Abel ..... B43K 23/001  
24/3.3  
D225,509 S \* 12/1972 Charlton ..... D8/363  
D240,370 S \* 7/1976 Kuehl ..... D3/228

**1 Claim, 4 Drawing Sheets**



(56)

**References Cited**

U.S. PATENT DOCUMENTS

D324,309 S \* 3/1992 Huff ..... D3/228  
D359,848 S \* 7/1995 Pounds ..... D3/228  
D364,336 S \* 11/1995 Calusinski ..... D8/371  
5,792,312 A \* 8/1998 Dotterman ..... B05B 15/0456  
156/579  
6,102,264 A \* 8/2000 Redzisz ..... A45F 5/02  
224/197  
D552,345 S \* 10/2007 Albert ..... D3/228  
D564,222 S \* 3/2008 Slavov ..... D3/228  
D580,744 S \* 11/2008 Shaha ..... D8/367  
D650,577 S \* 12/2011 Glander ..... D3/228  
D714,542 S \* 10/2014 Barragan ..... D3/228  
2007/0045372 A1 3/2007 Cangemi, Jr.  
2007/0138227 A1 \* 6/2007 Rickman ..... A45F 5/02  
224/669  
2007/0170220 A1 \* 7/2007 Fragassi, III ..... A45F 5/02  
224/660

\* cited by examiner

Figure 1

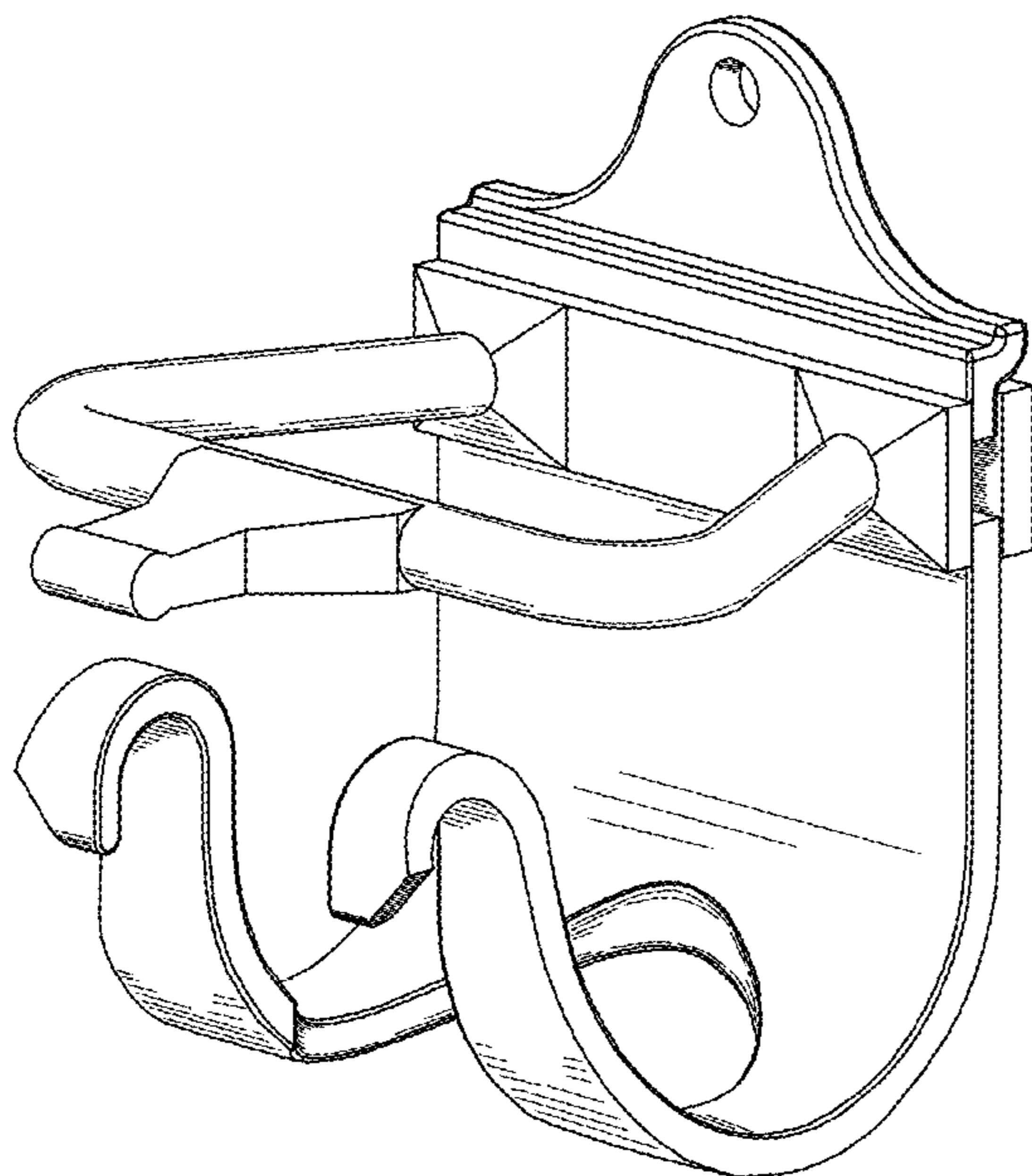


Figure 2

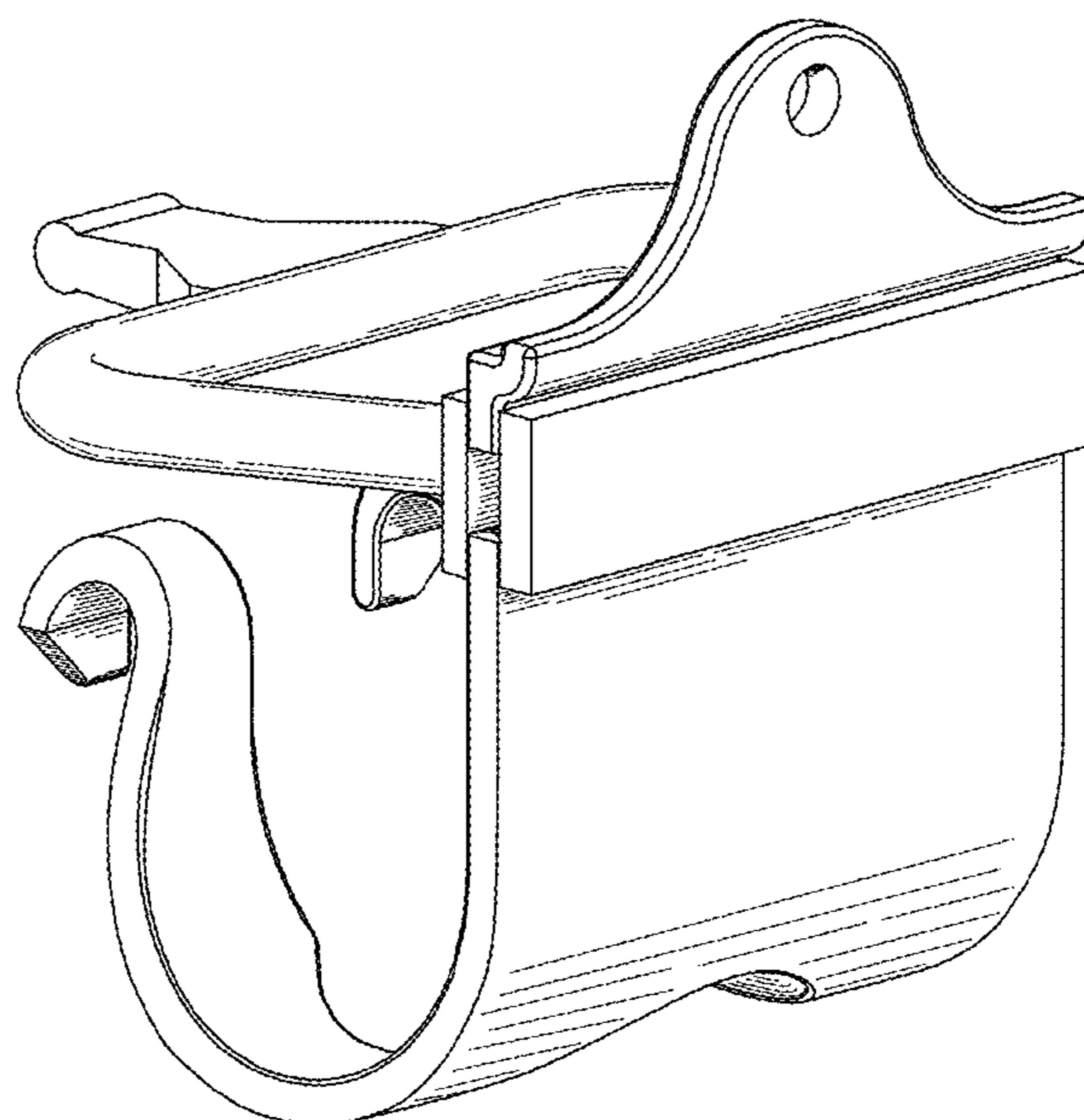


Figure 3

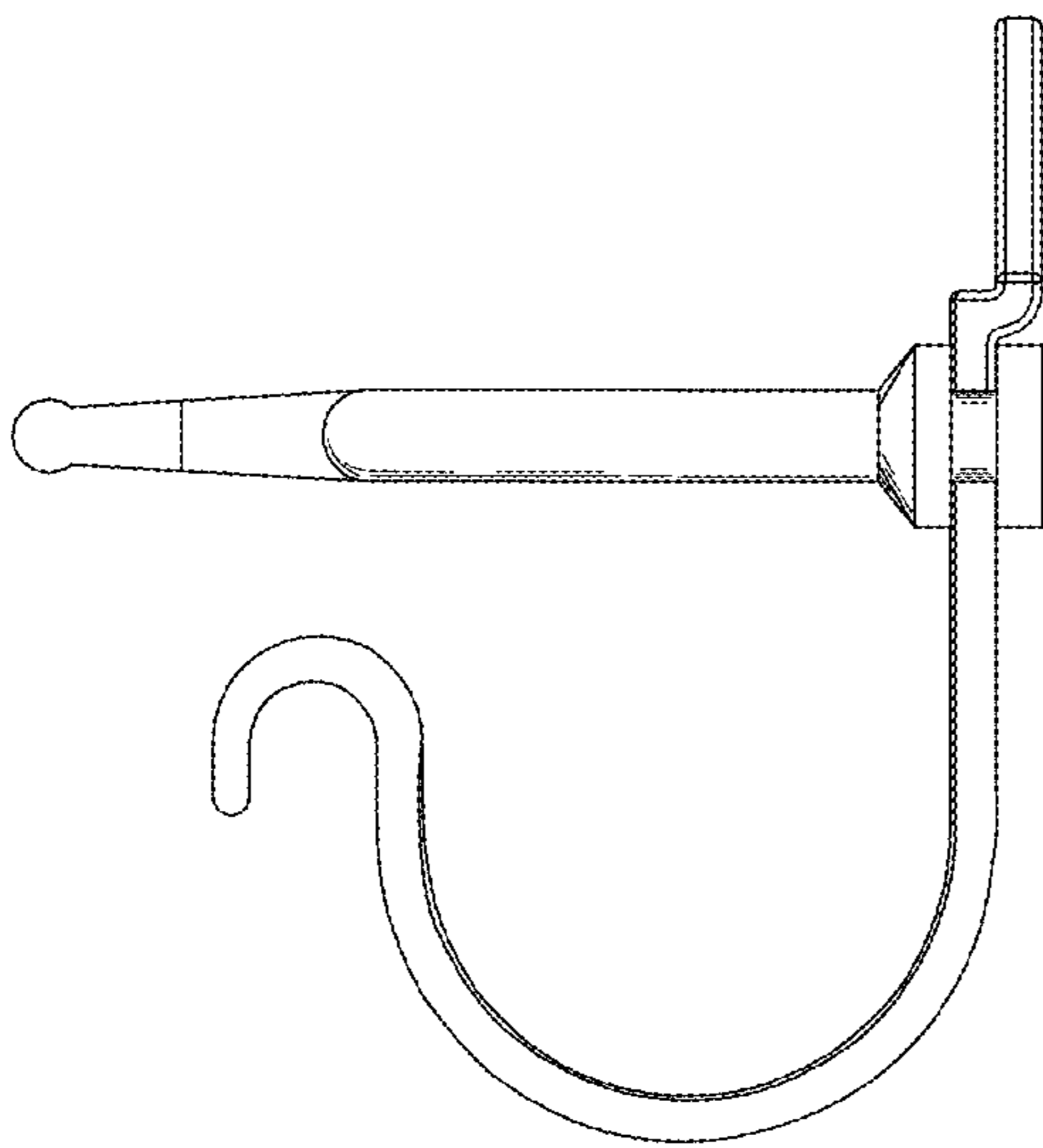


Figure 4

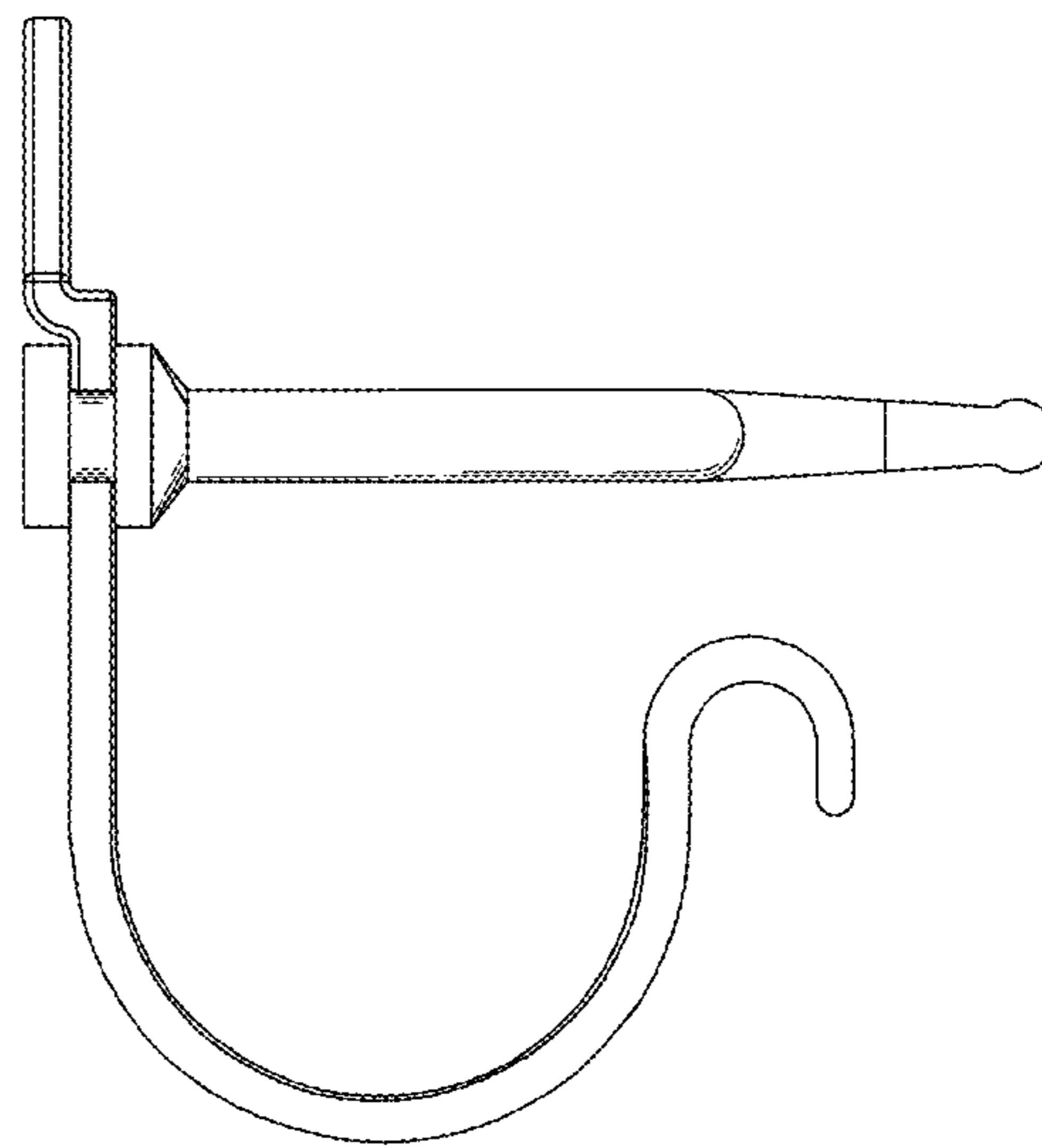


Figure 5

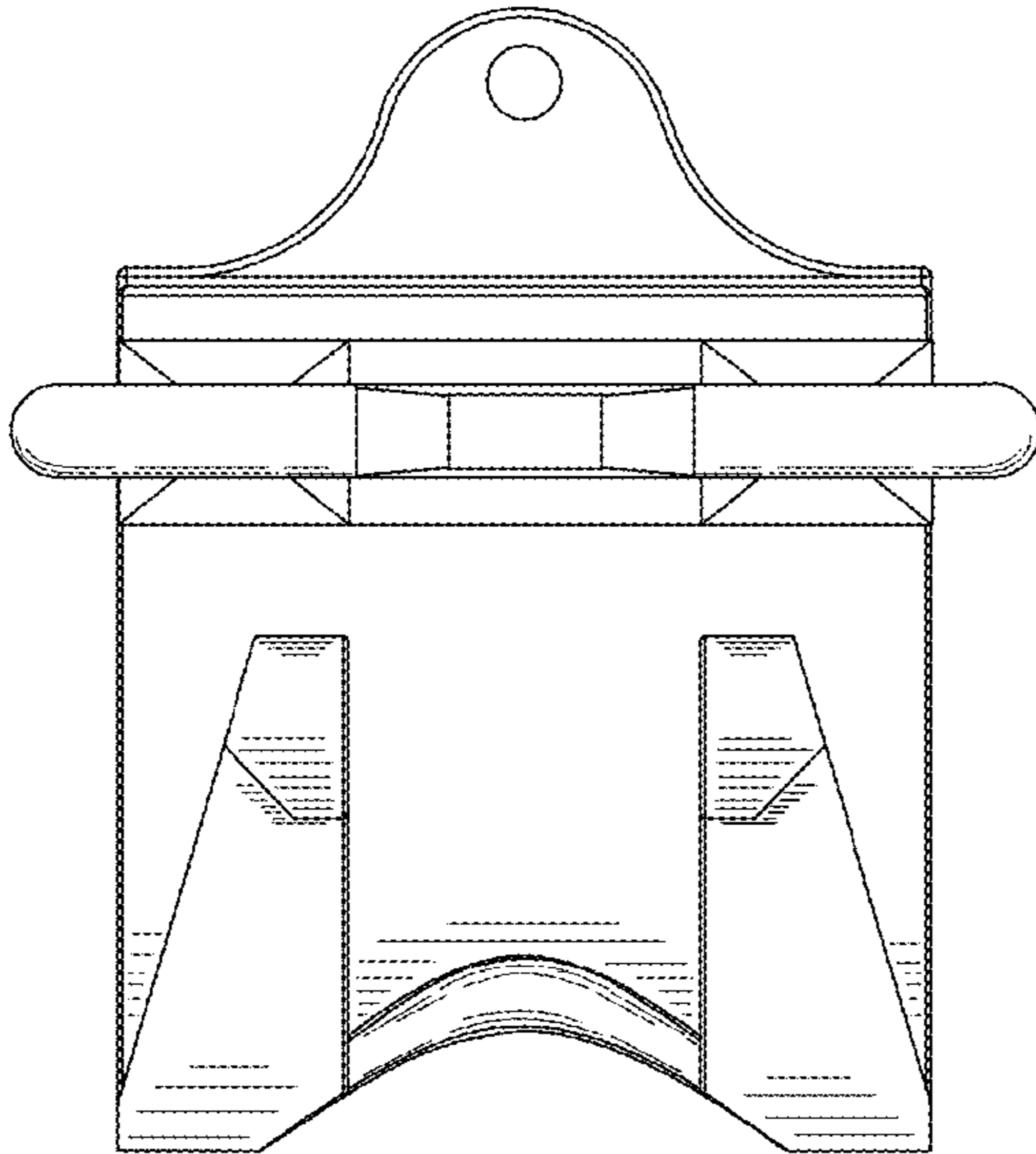


Figure 6

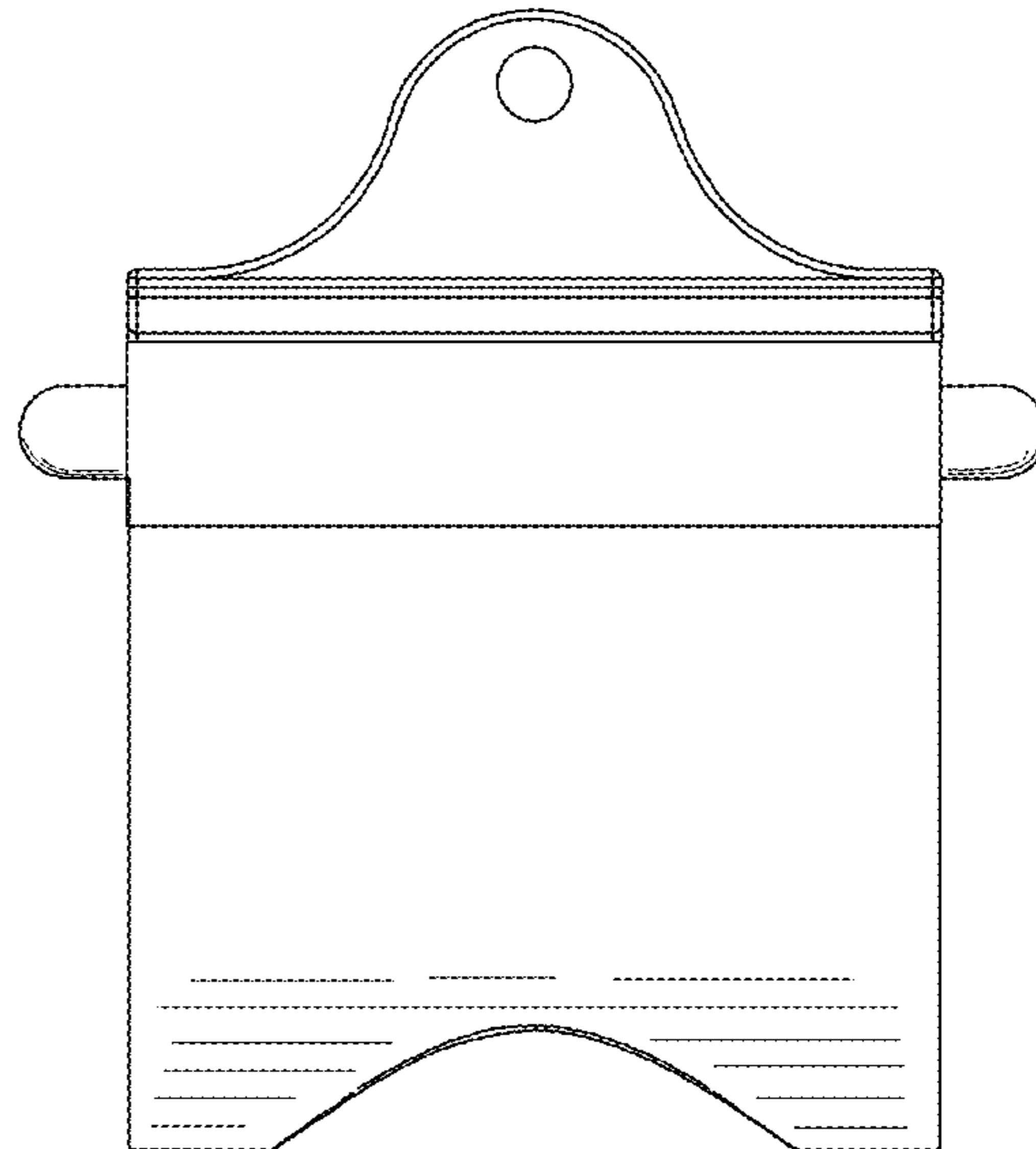


Figure 7

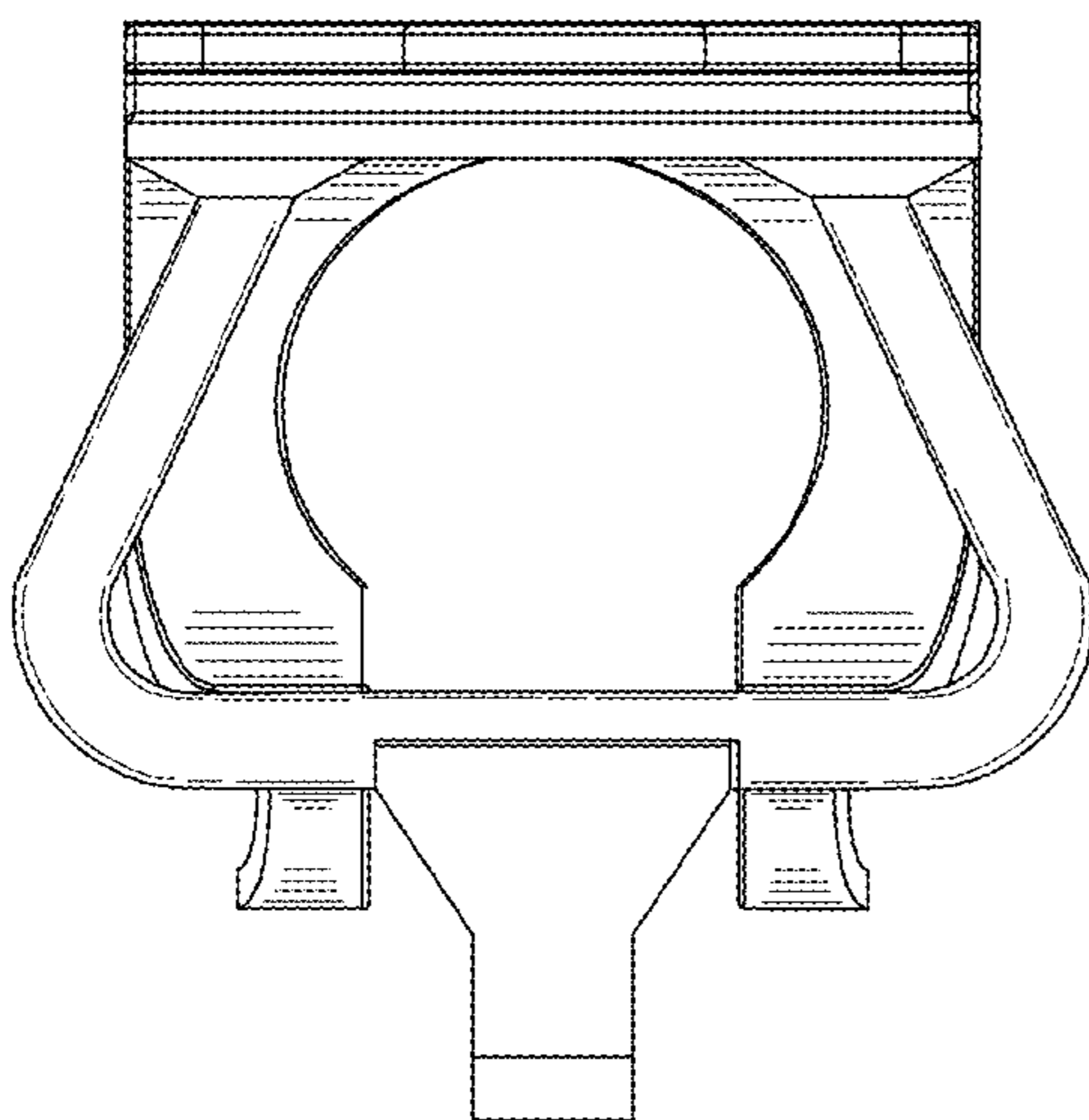


Figure 8

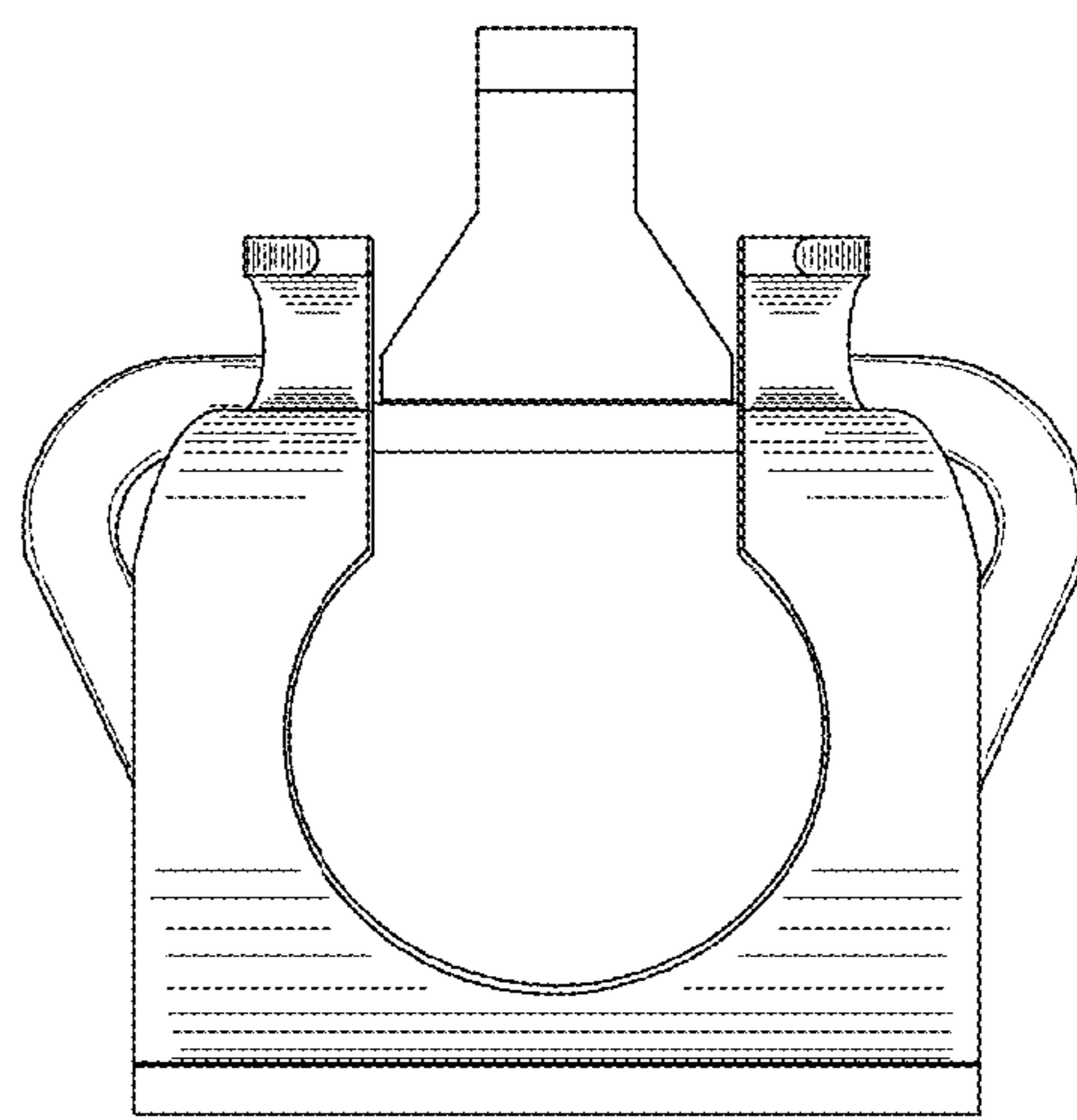


Figure 9

