



US00D774752S

(12) **United States Design Patent** (10) **Patent No.:** **US D774,752 S**
Pomerantz (45) **Date of Patent:** **** Dec. 27, 2016**

- (54) **HANDHELD CASE ASSEMBLY**
- (71) Applicant: **Shifra Pomerantz**, Hallandale Beach, FL (US)
- (72) Inventor: **Shifra Pomerantz**, Hallandale Beach, FL (US)
- (**) Term: **14 Years**
- (21) Appl. No.: **29/516,753**
- (22) Filed: **Feb. 5, 2015**
- (51) **LOC (10) Cl.** **03-01**
- (52) **U.S. Cl.**
USPC **D3/226; D3/229**
- (58) **Field of Classification Search**
USPC D3/215, 218-219, 221, 224, 226, 229;
224/219, 222, 267, 266, 240, 245, 660,
224/587, 677, 684; 383/59, 63
CPC A45F 5/00; A45F 5/02; A45F 5/021;
A45F 2011/002; A45F 2200/0516; A45F
3/02; A45F 3/14; A45C 1/04
See application file for complete search history.

- D497,715 S 11/2004 Saltarelli
- D503,533 S 4/2005 Cabey
- D505,008 S 5/2005 Malik
- D505,787 S 6/2005 Vaughn
- D509,057 S 9/2005 Bollig
- D510,480 S 10/2005 McCarter
- 6,971,562 B2 12/2005 Willows et al.
- D516,304 S 3/2006 Feldman et al.
- D518,953 S 4/2006 Kenimer et al.
- D553,853 S 10/2007 Willows et al.
- 7,344,308 B2 3/2008 Meyer et al.
- D586,552 S 2/2009 Shumate
- D615,753 S 5/2010 Pomerantz
- D616,644 S 6/2010 Ramon

(Continued)

(56) **References Cited**

U.S. PATENT DOCUMENTS

- D249,592 S * 9/1978 Libonati 224/222
- D251,758 S 5/1979 Penrod
- D257,409 S 10/1980 Kishbaugh et al.
- 4,500,019 A 2/1985 Curley, Jr.
- D291,623 S 9/1987 Ericksen
- D334,471 S 4/1993 Yerby et al.
- 5,209,385 A 5/1993 Ledesma
- 5,240,156 A 8/1993 Sicotte et al.
- D344,178 S 2/1994 Zinck
- 5,374,919 A 12/1994 Zelka et al.
- D395,546 S 6/1998 Houtan
- D448,925 S 10/2001 Willows et al.
- D458,021 S 6/2002 Willows et al.
- D490,239 S 5/2004 Wagner, II
- D490,974 S 6/2004 Wagner, II

OTHER PUBLICATIONS

Armpocket—The Ultimate Armband-Ultra i-35, 2016, Amazon.com.

Primary Examiner — Catheri Oliver-Garcia
(74) *Attorney, Agent, or Firm* — Malloy & Malloy, P.L.

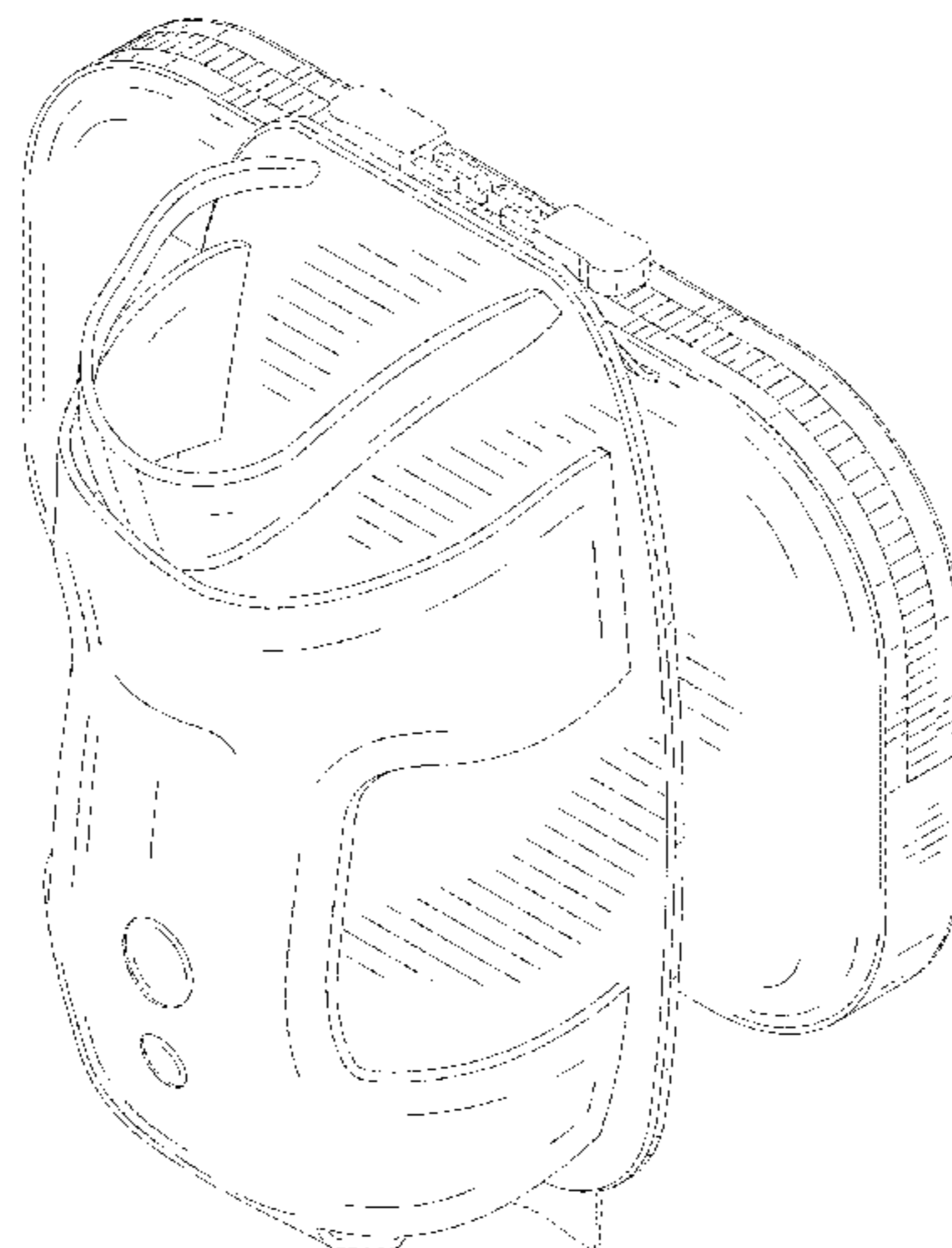
(57) **CLAIM**

The ornamental design for a handheld case assembly, as shown and described.

DESCRIPTION

FIG. 1 is a front perspective view illustrating my design for a handheld case assembly;
FIG. 2 is a rear perspective view thereof;
FIG. 3 is a top view thereof;
FIG. 4 is a bottom view thereof;
FIG. 5 is a right side view thereof;
FIG. 6 is a left side view thereof;
FIG. 7 is a front view thereof; and,
FIG. 8 is a rear view thereof.
The broken, dashed line disclosures depict environmental structure and are for illustrative purposes only. They do not form part of the claimed design.

1 Claim, 7 Drawing Sheets



(56)

References Cited

U.S. PATENT DOCUMENTS

D620,706	S	8/2010	Wagner, II	
D628,376	S	12/2010	Fink et al.	
D630,012	S	1/2011	Pomerantz	
D630,841	S	1/2011	Pomerantz	
D651,793	S	1/2012	Willows et al.	
D661,484	S	6/2012	Hamra	
D663,950	S *	7/2012	Willows	D3/226
D668,861	S	10/2012	Pomerantz	
D668,862	S	10/2012	Pomerantz	
D675,011	S *	1/2013	Stiefel	D3/215
D676,233	S *	2/2013	Paugh	D3/226
D680,326	S *	4/2013	Willows	D3/226
D680,736	S *	4/2013	Willows	D3/226
D694,003	S	11/2013	Pomerantz	
D695,008	S	12/2013	Pomerantz	
D710,597	S	8/2014	Morgan et al.	
D710,598	S	8/2014	Morgan et al.	
D743,694	S	11/2015	Charles	
D747,094	S	1/2016	Ciptak et al.	
D759,957	S *	6/2016	Willows	D3/218
2002/0134809	A1	9/2002	Angus et al.	
2008/0190980	A1	8/2008	Overton	

* cited by examiner

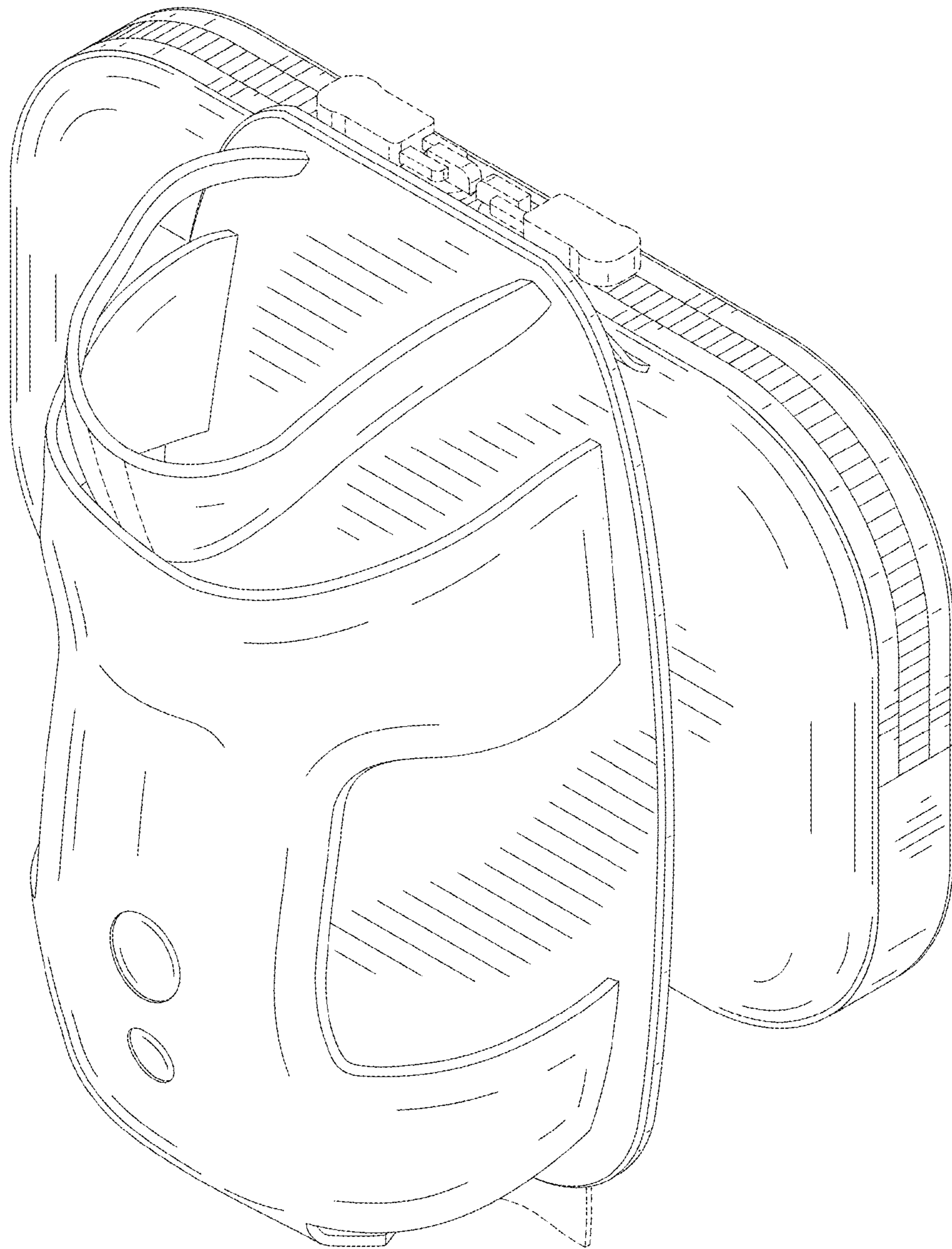


FIG. 1

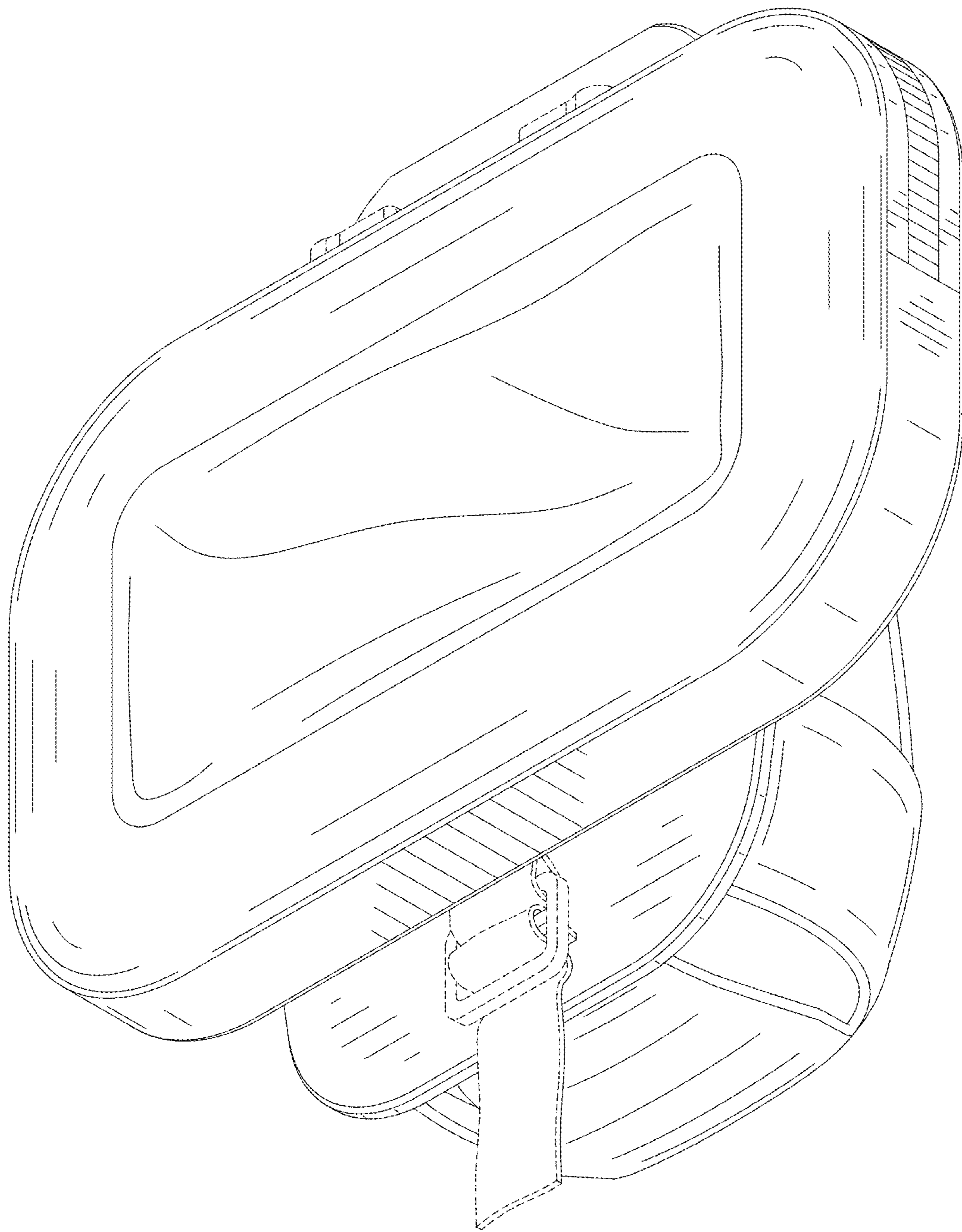


FIG. 2

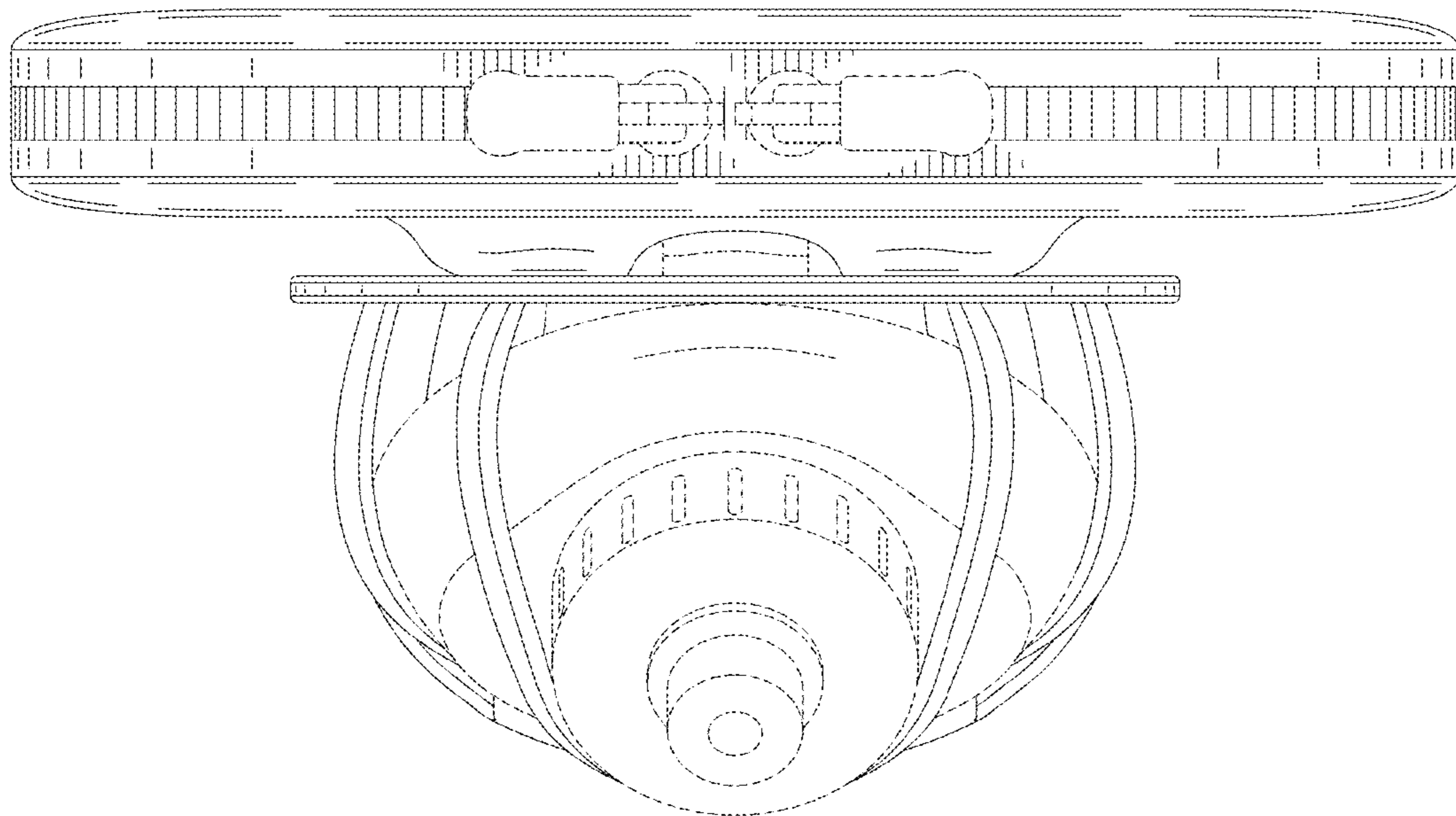


FIG. 3

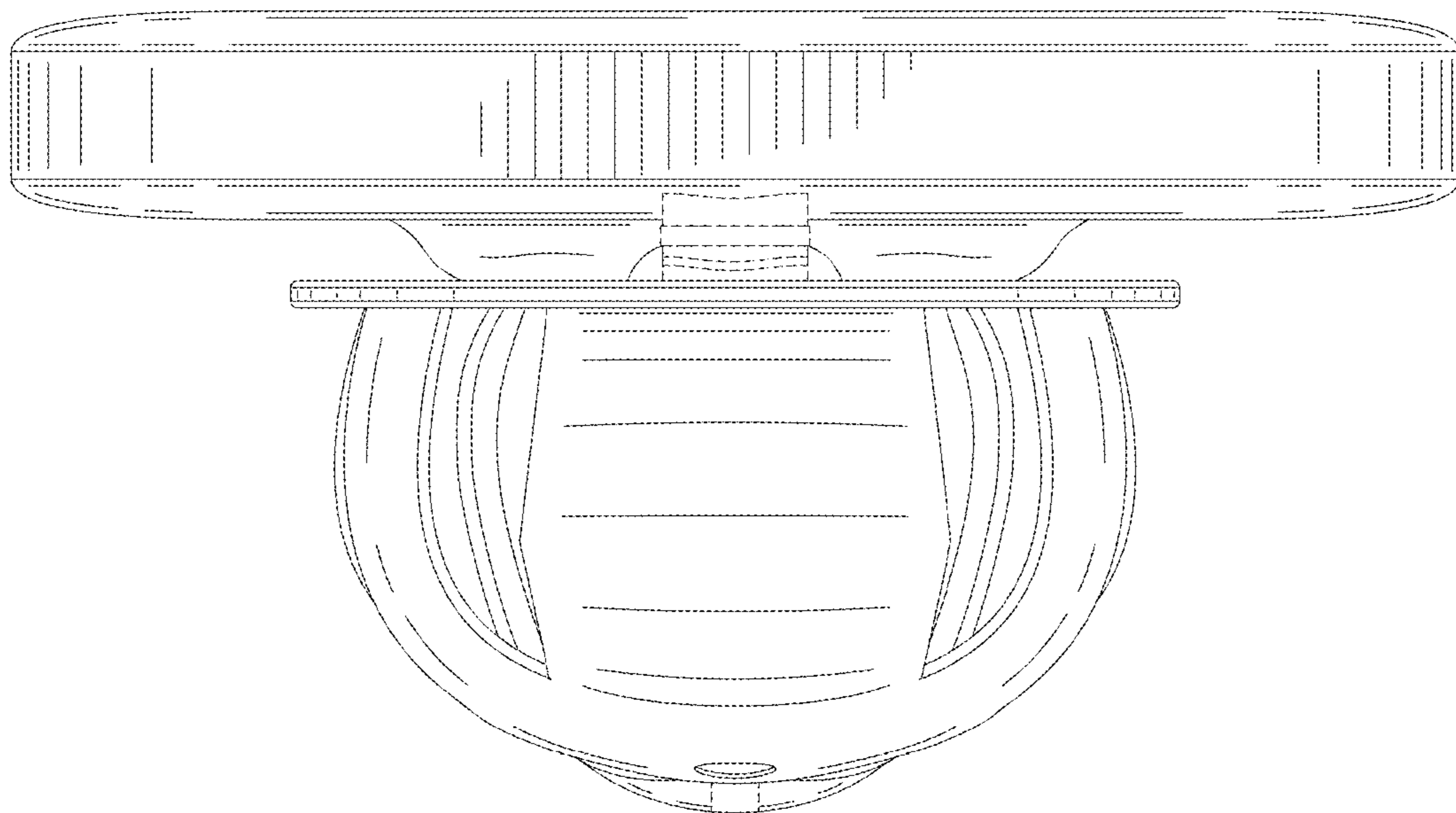


FIG. 4

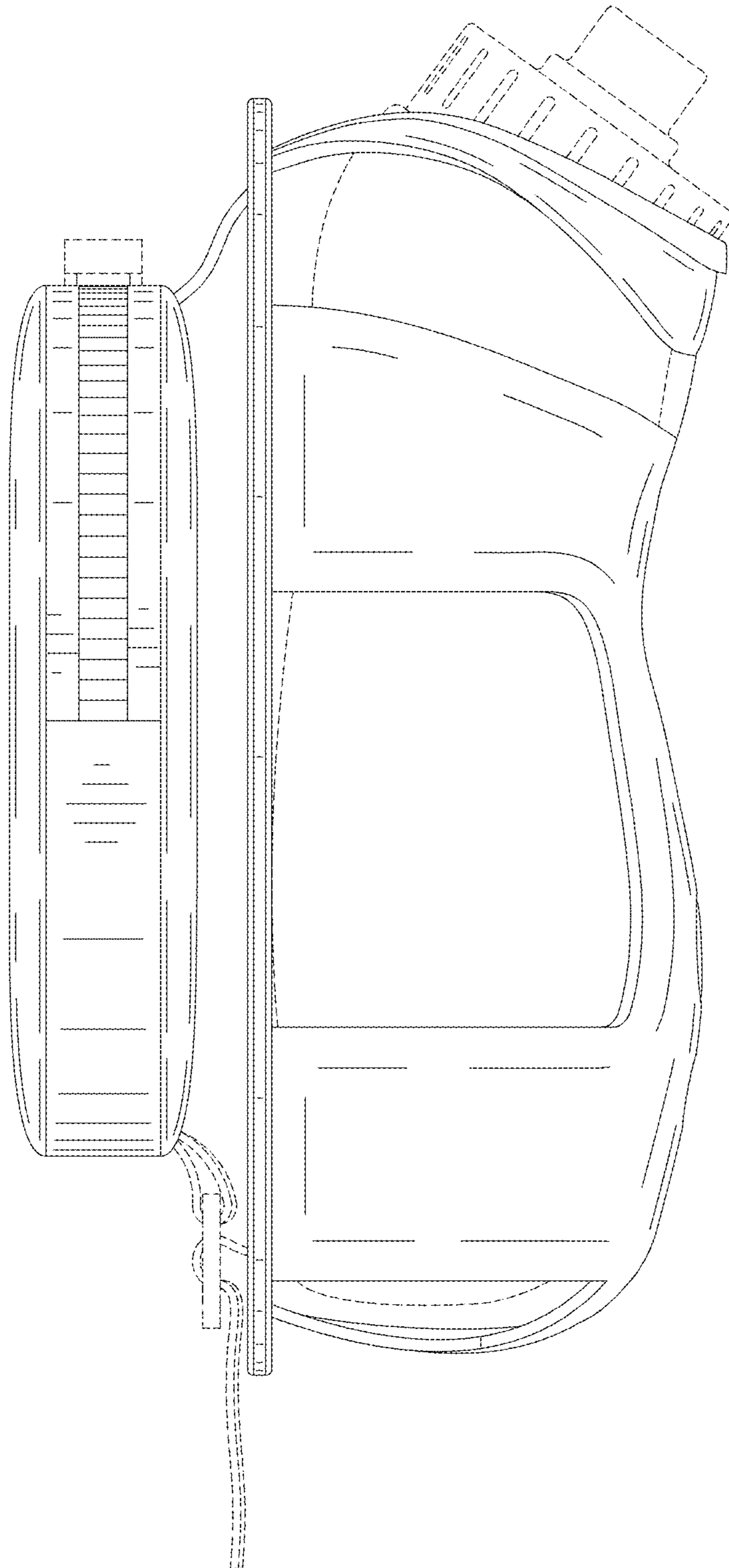


FIG. 5

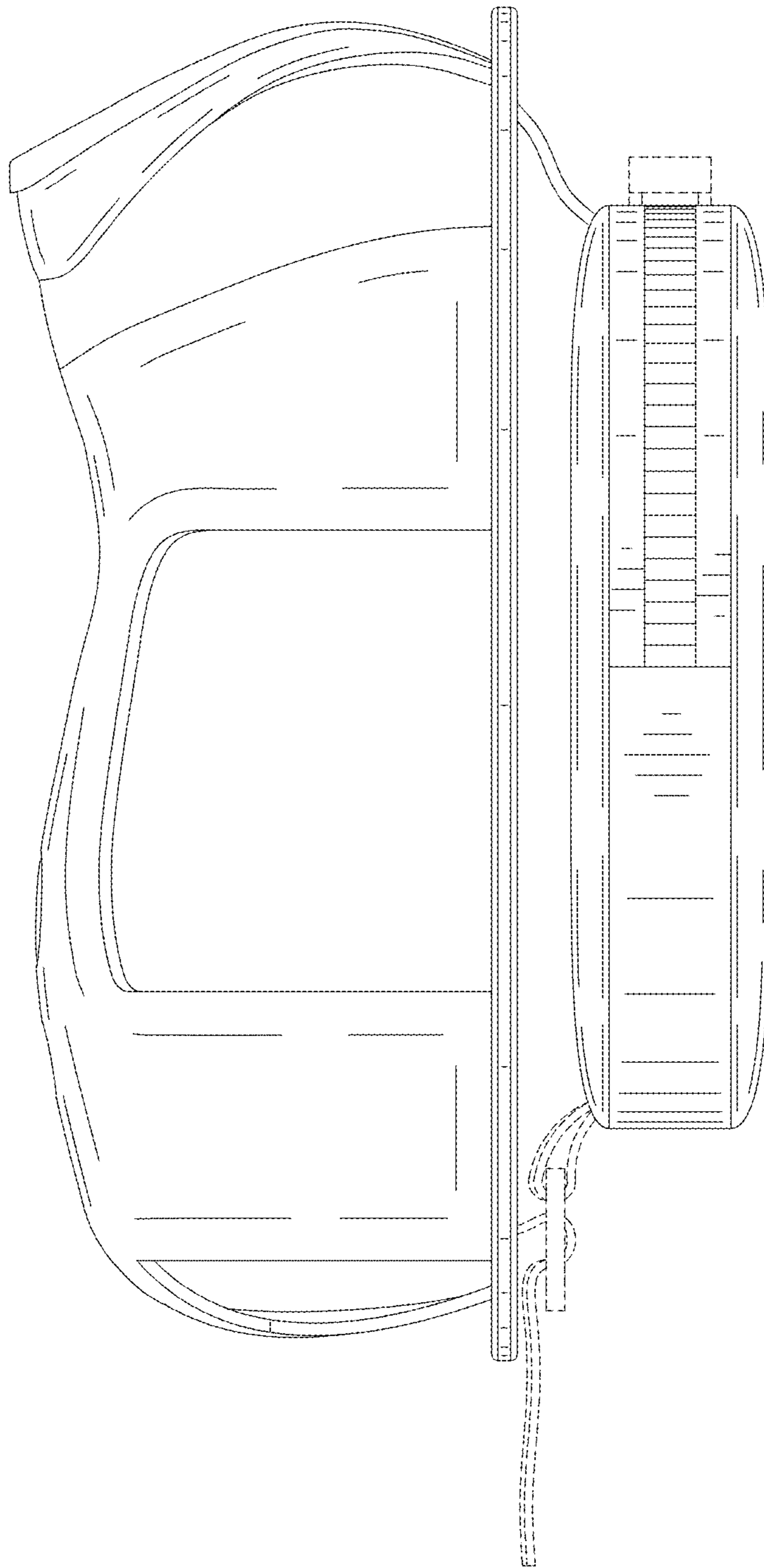


FIG. 6

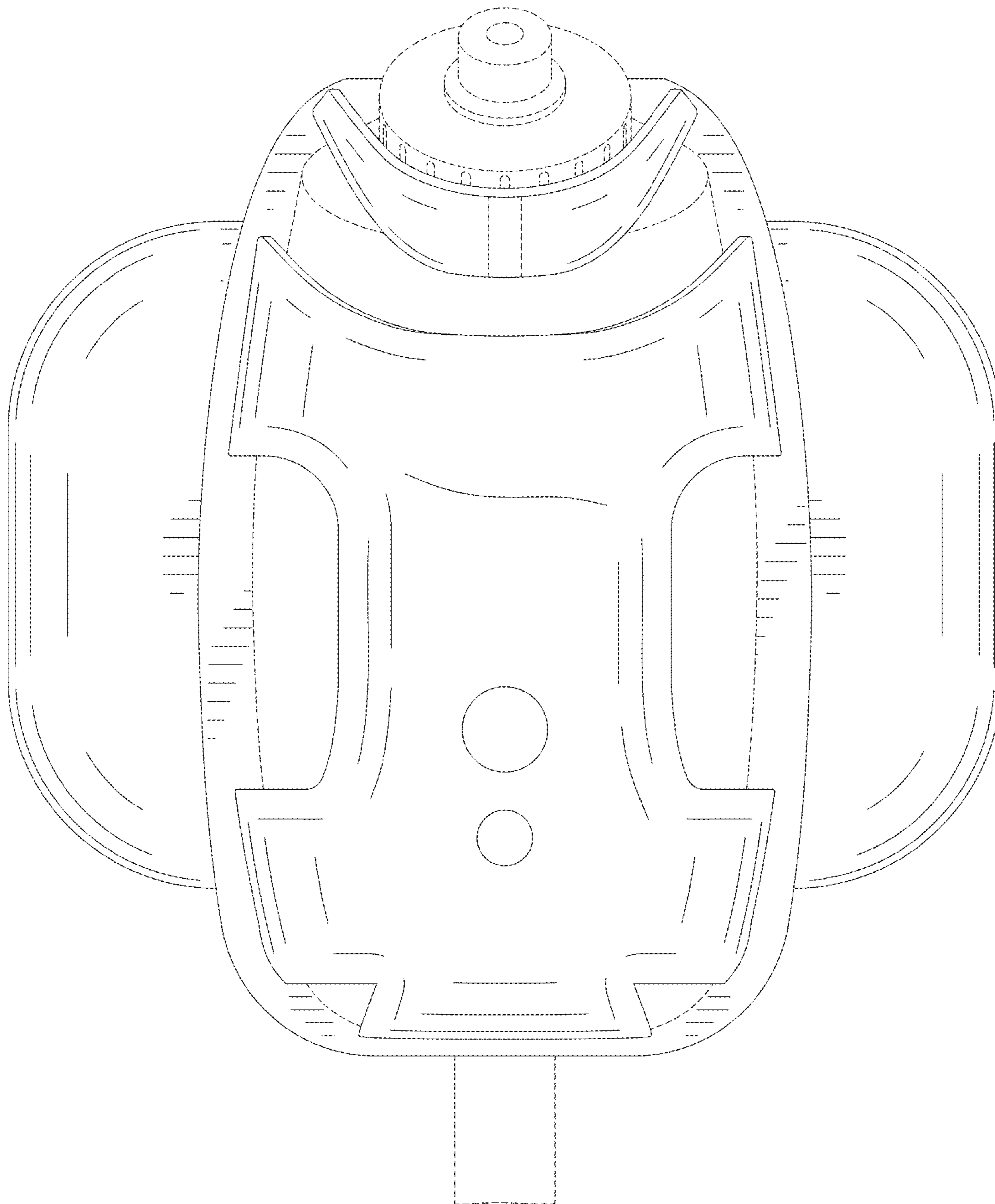


FIG. 7

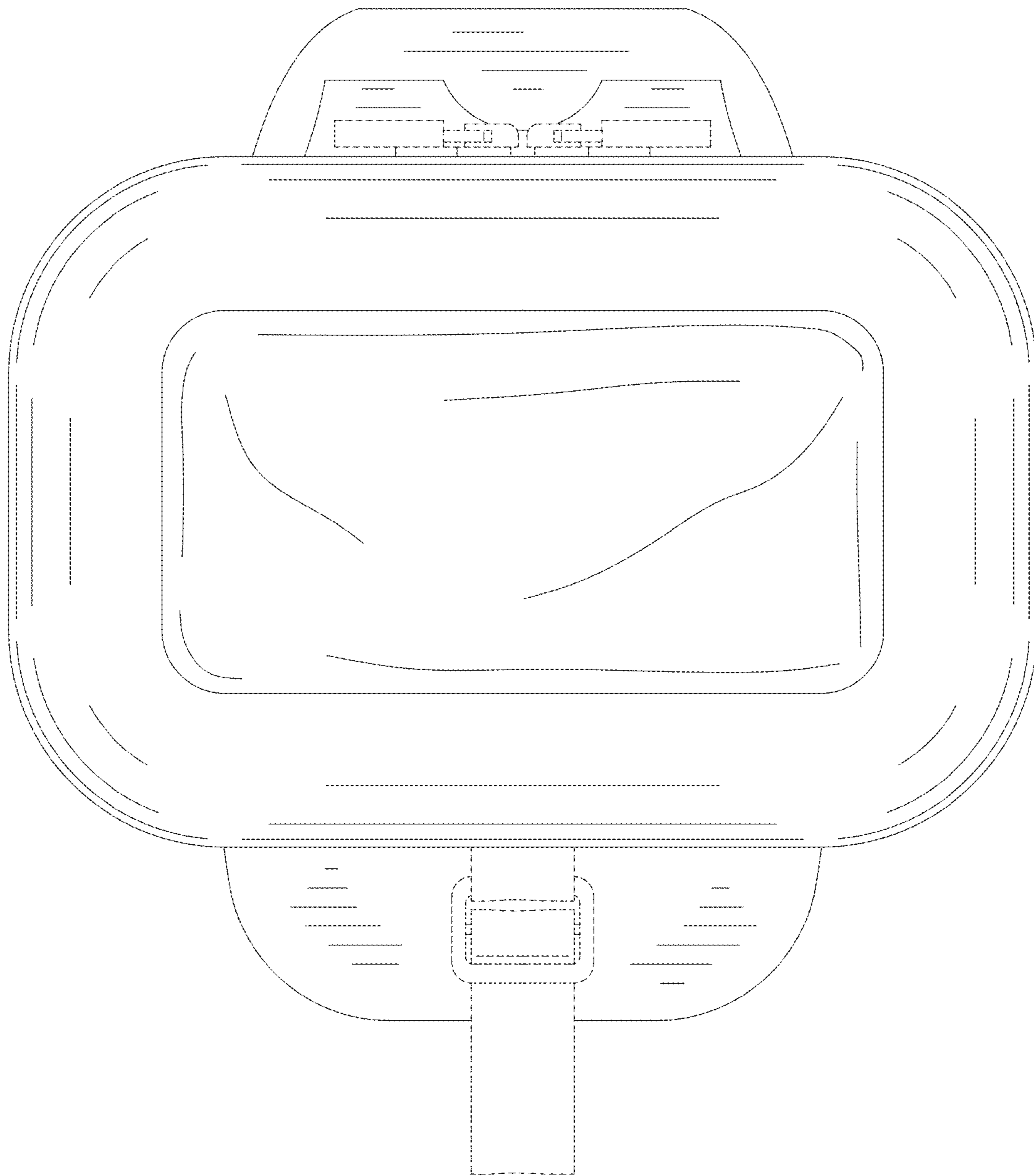


FIG. 8