



US00D774746S

(12) **United States Design Patent** (10) **Patent No.:** **US D774,746 S**  
**Headley et al.** (45) **Date of Patent:** **\*\* Dec. 27, 2016**

(54) **UMBRELLA HANDLE**  
(71) Applicant: **totes Isotoner Corporation**, Cincinnati, OH (US)  
(72) Inventors: **Ann S. Headley**, Cincinnati, OH (US); **Julie Kerr**, Cincinnati, OH (US)  
(73) Assignee: **totes Isotoner Corporation**, Cincinnati, OH (US)  
(\*\*) Term: **15 Years**  
(21) Appl. No.: **29/528,293**  
(22) Filed: **May 27, 2015**  
(51) **LOC (10) Cl.** ..... **03-03**  
(52) **U.S. Cl.**  
USPC ..... **D3/12**  
(58) **Field of Classification Search**  
USPC ..... D3/5, 10, 12, 13, 16; D8/300, 303, 315; D12/133; 135/15.1, 19, 22, 24, 25.4  
(Continued)

(56) **References Cited**  
**U.S. PATENT DOCUMENTS**  
D19,966 S \* 7/1890 Weihman et al. .... D3/12  
1,042,417 A \* 10/1912 Erickson et al. .... A45B 25/12  
135/44  
(Continued)

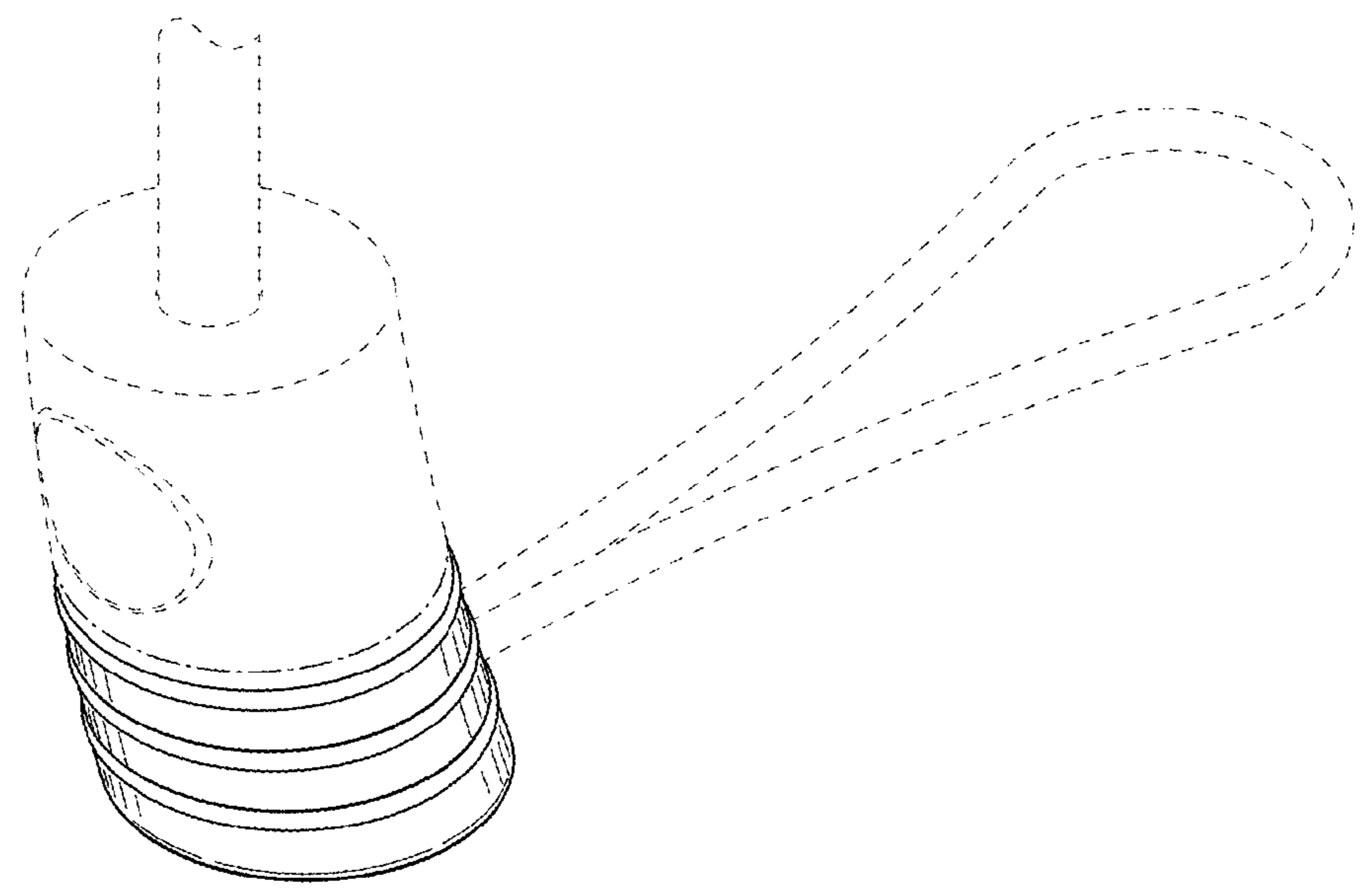
**OTHER PUBLICATIONS**  
totes Umbrellas product catalog, 1985, 4 pgs.  
*Primary Examiner* — John Windmuller  
*Assistant Examiner* — Steven Czyz

(74) *Attorney, Agent, or Firm* — Rossi, Kimms & McDowell LLP

(57) **CLAIM**  
The ornamental design for an umbrella handle, as shown and described.

**DESCRIPTION**  
FIG. 1 is a perspective view of an umbrella handle of a first embodiment, showing a new design.  
FIG. 2 is an alternate perspective view of the handle of FIG. 1.  
FIG. 3 is a front elevation view of the handle of FIG. 1.  
FIG. 4 is a rear elevation view of the handle of FIG. 1.  
FIG. 5 is a side elevation view of the handle of FIG. 1, the opposite side elevation being a mirror image thereof.  
FIG. 6 is a top plan view of the handle of FIG. 1.  
FIG. 7 is a bottom plan view of the handle of FIG. 1.  
FIG. 8 is a perspective view of an umbrella handle of a second embodiment, showing a new design.  
FIG. 9 is an alternate perspective view of the handle of FIG. 8.  
FIG. 10 is a front elevation view of the handle of FIG. 8.  
FIG. 11 is a rear elevation view of the handle of FIG. 8.  
FIG. 12 is a side elevation view of the handle of FIG. 8, the opposite side elevation being a mirror image thereof.  
FIG. 13 is a top plan view of the handle of FIG. 8; and, FIG. 14 is a bottom plan view of the handle of FIG. 8.  
The evenly-spaced broken lines depict portions of the article that form no part of the claimed design. The dot-dash broken lines in the drawings are included for the purpose of defining the boundary of the claim, it being understood that the dot-dash broken lines themselves form no part of the claimed design.

**1 Claim, 6 Drawing Sheets**



(58) **Field of Classification Search**  
 CPC ..... A45B 25/02; A45B 21/00; A45B 25/143;  
 A45B 19/04  
 See application file for complete search history.

(56) **References Cited**

U.S. PATENT DOCUMENTS

D232,598 S \* 8/1974 Weber ..... D3/12  
 D248,510 S \* 7/1978 DiVito ..... D3/12  
 D274,674 S \* 7/1984 Allen ..... D3/12  
 D274,765 S \* 7/1984 Allen ..... D3/12  
 D284,234 S \* 6/1986 Allen ..... D3/12  
 D284,713 S \* 7/1986 Brinker ..... D3/12  
 D287,190 S \* 12/1986 Cain ..... D3/12  
 D287,191 S \* 12/1986 Cain ..... D3/12  
 D287,192 S \* 12/1986 Cain ..... D3/12  
 D291,261 S \* 8/1987 Cain ..... D3/12  
 D291,385 S \* 8/1987 Selig ..... D3/12  
 D292,042 S \* 9/1987 Selig ..... D3/10  
 D292,642 S \* 11/1987 Selig ..... D3/12  
 D308,288 S \* 6/1990 Cain ..... D3/12  
 D309,372 S \* 7/1990 Cain ..... D3/12  
 D309,825 S \* 8/1990 Cain ..... D3/12  
 D310,599 S \* 9/1990 Cain ..... D3/12  
 D312,348 S \* 11/1990 Cain ..... D3/12  
 D312,724 S \* 12/1990 Cain ..... D3/12  
 D316,777 S \* 5/1991 Cain ..... D3/12  
 D317,976 S \* 7/1991 Cain ..... D3/12  
 D319,536 S \* 9/1991 Cain ..... D3/12  
 D321,428 S \* 11/1991 Cain ..... D3/12  
 D321,592 S \* 11/1991 Cain ..... D3/12  
 D321,780 S \* 11/1991 Cain ..... D3/12  
 5,144,969 A \* 9/1992 Chou ..... A45B 25/16  
 135/22  
 D369,462 S \* 5/1996 Cain ..... D3/12

D415,611 S \* 10/1999 Doster ..... D3/12  
 D416,525 S \* 11/1999 Sacco ..... D12/179  
 D450,441 S \* 11/2001 Chen ..... D3/12  
 6,360,759 B1 \* 3/2002 Lin ..... A45B 25/143  
 135/24  
 D465,397 S \* 11/2002 Chen ..... D8/107  
 D473,708 S \* 4/2003 Headley ..... D3/12  
 D477,459 S \* 7/2003 Kuo ..... D3/12  
 D485,056 S \* 1/2004 Headley ..... D3/12  
 D486,375 S \* 2/2004 Lin ..... D8/107  
 D491,349 S \* 6/2004 Headley ..... D3/12  
 D491,719 S \* 6/2004 Gobel ..... D3/11  
 6,779,536 B2 \* 8/2004 Kuo ..... A45B 25/16  
 135/24  
 D510,061 S \* 9/2005 Woods ..... D12/179  
 D516,298 S \* 3/2006 Fenton ..... D3/12  
 D518,949 S \* 4/2006 Wang ..... D3/12  
 D521,229 S \* 5/2006 Mariano ..... D3/5  
 D551,845 S \* 10/2007 Headley ..... D3/12  
 D552,341 S \* 10/2007 Headley ..... D3/12  
 D559,056 S \* 1/2008 Wise ..... D8/61  
 D560,065 S \* 1/2008 Rothbucher ..... D3/12  
 D589,247 S \* 3/2009 Headley ..... D3/12  
 D606,467 S \* 12/2009 Ballard ..... D12/179  
 D648,933 S \* 11/2011 Roher ..... D3/12  
 8,051,538 B2 \* 11/2011 Hsieh ..... B25G 1/102  
 16/430  
 D659,379 S \* 5/2012 Headley ..... D3/12  
 D670,901 S \* 11/2012 Rothbucher ..... D3/10  
 D677,878 S \* 3/2013 Headley ..... D3/12  
 D692,652 S \* 11/2013 Headley ..... D3/12  
 D729,510 S \* 5/2015 Headley ..... D3/12  
 D746,042 S \* 12/2015 Kerr ..... D3/12  
 2005/0115598 A1 \* 6/2005 Wu ..... A45B 9/02  
 135/25.4

\* cited by examiner

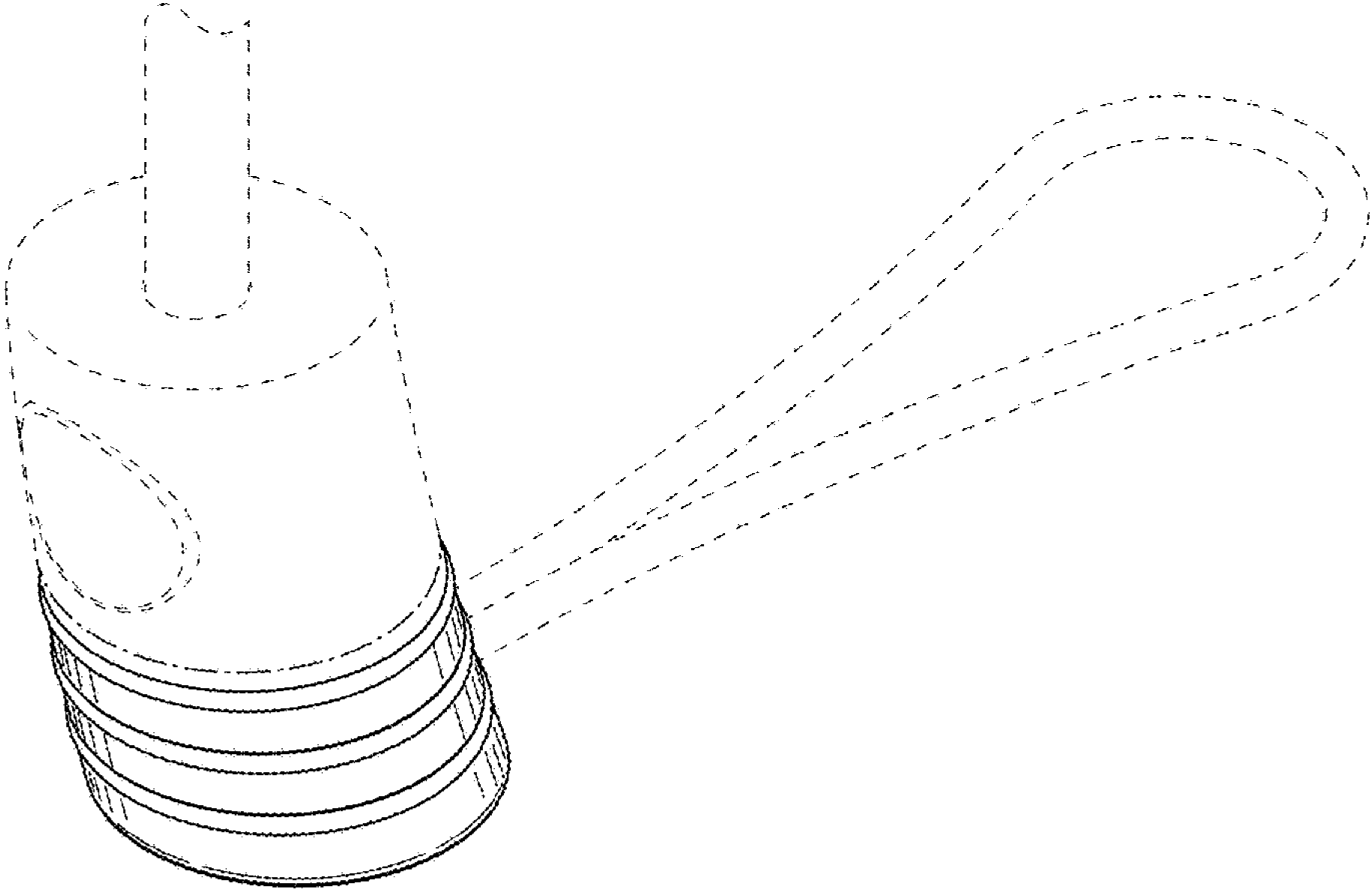


FIG. 1

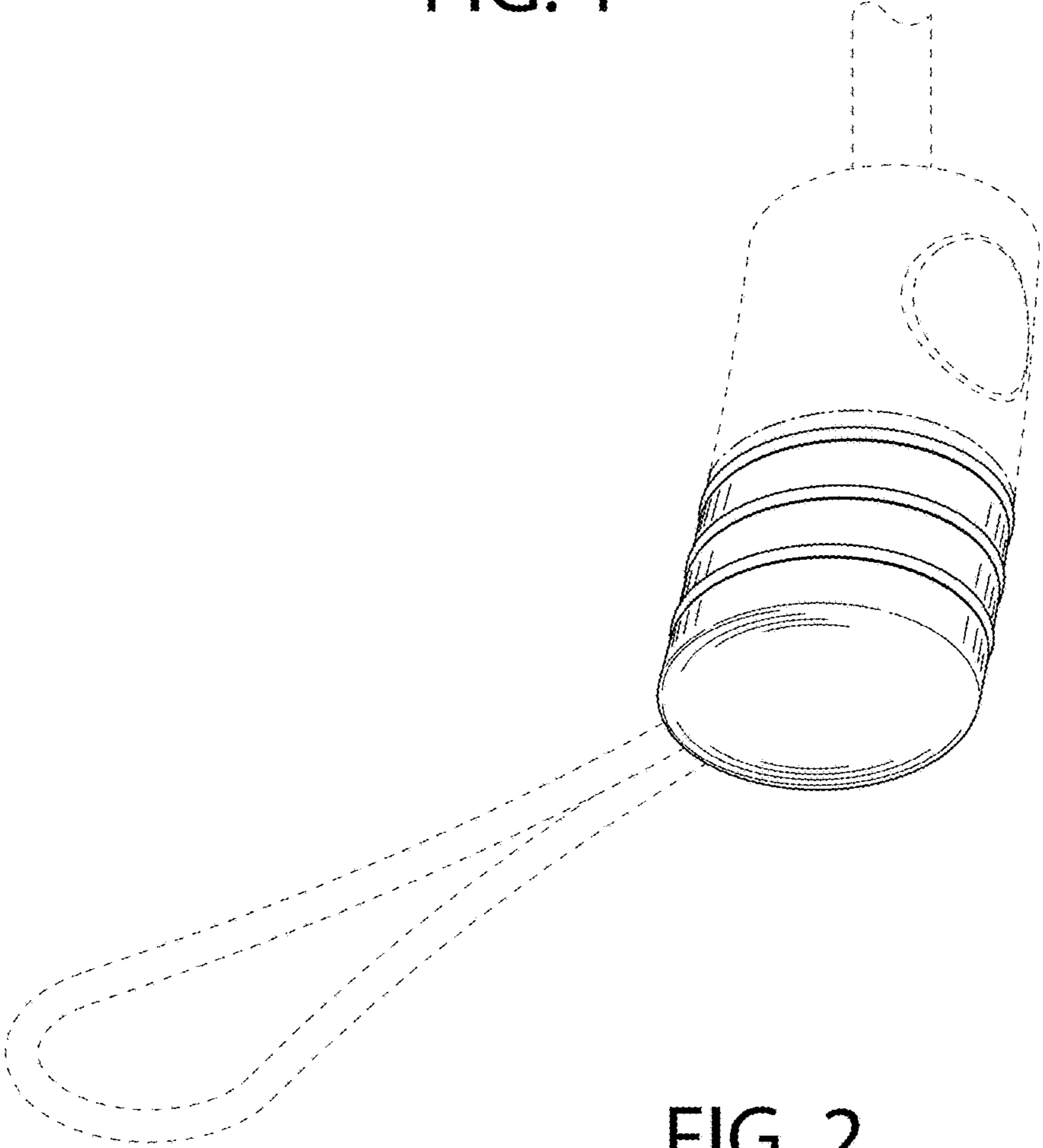


FIG. 2

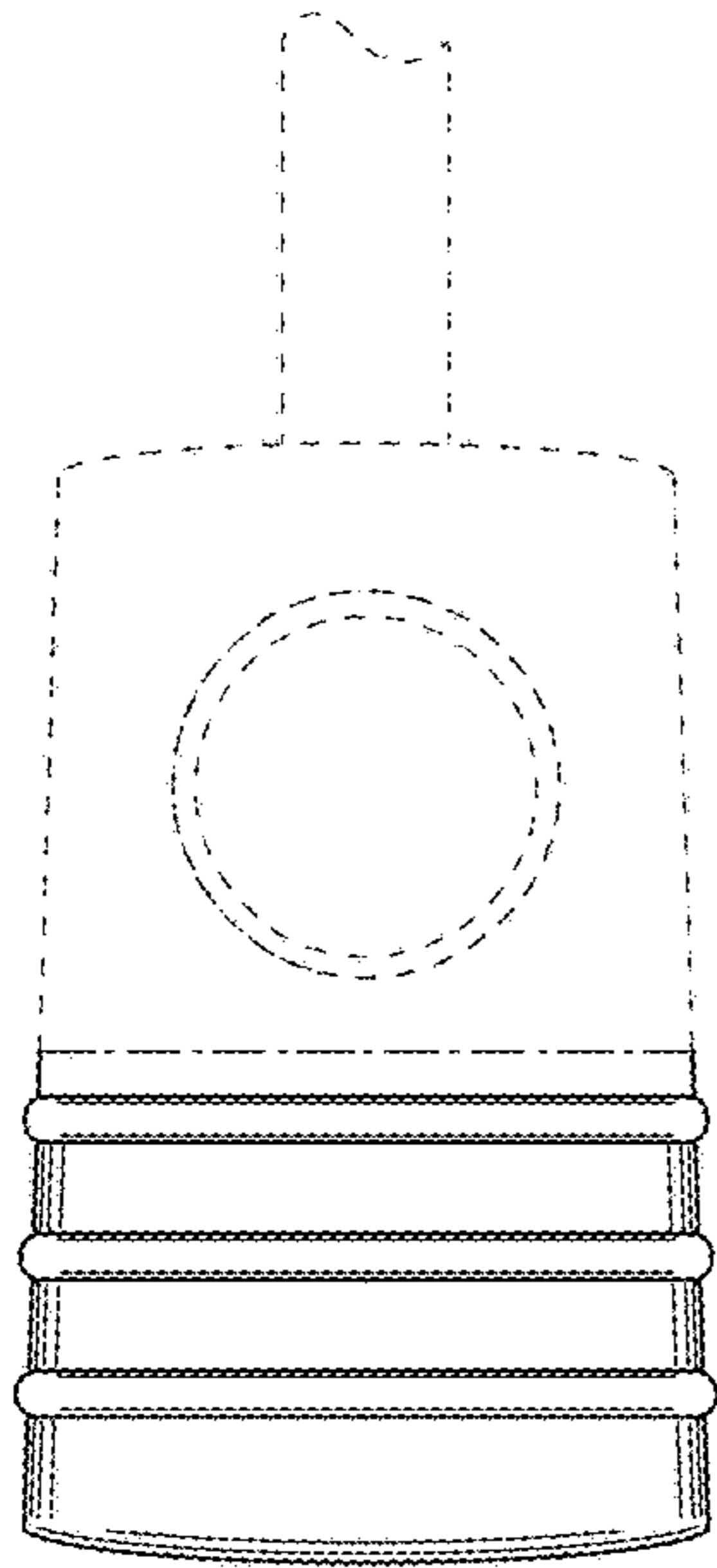


FIG. 3

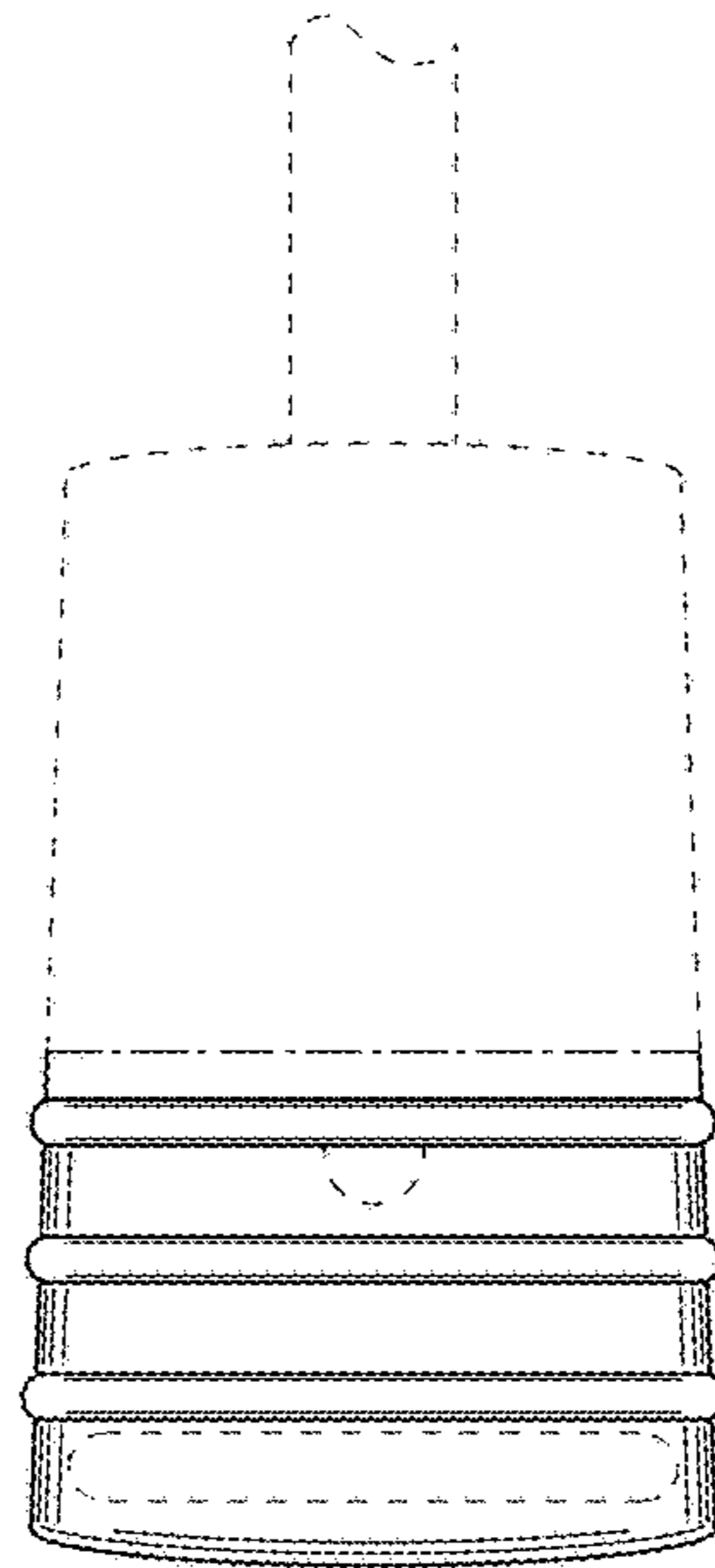


FIG. 4

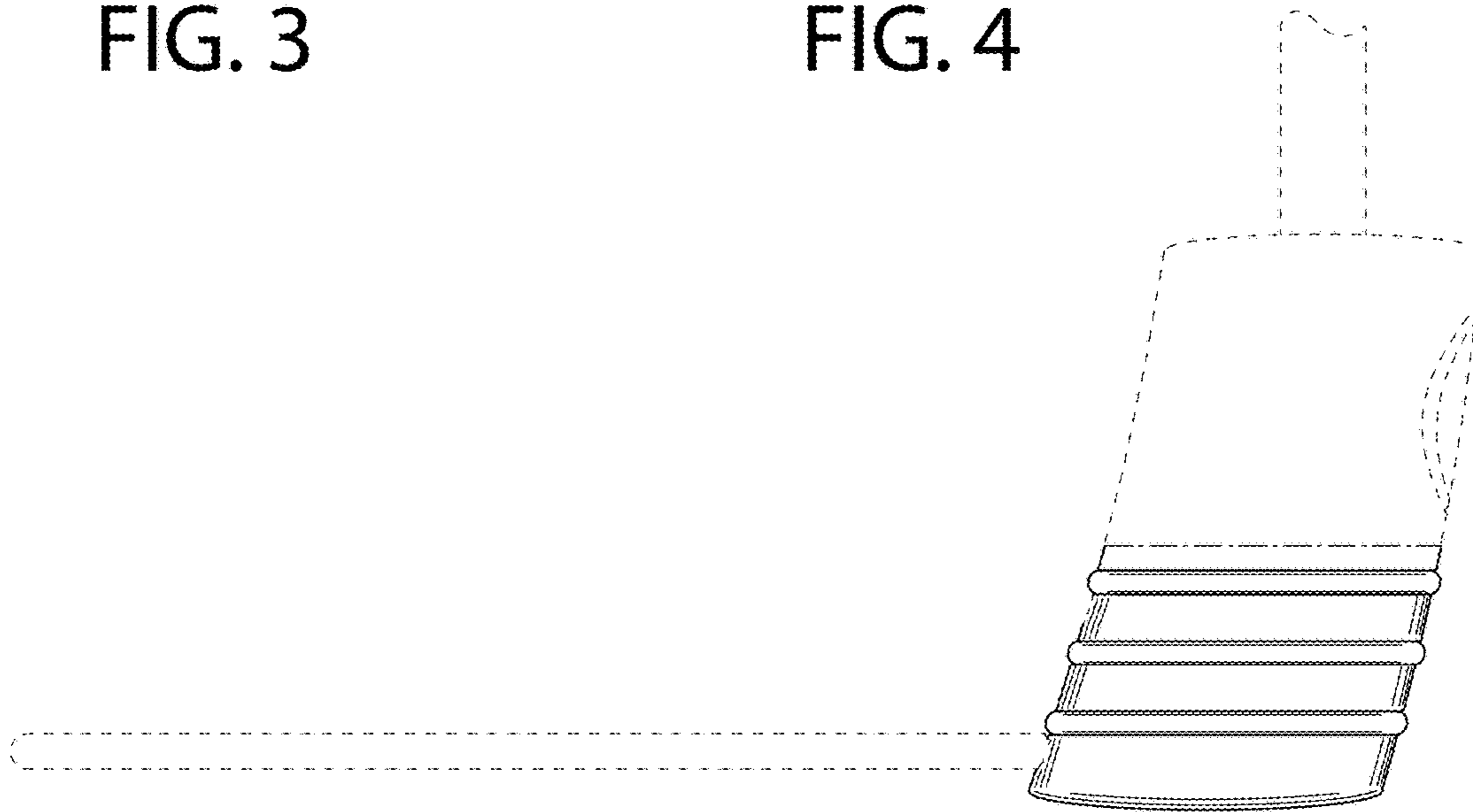


FIG. 5



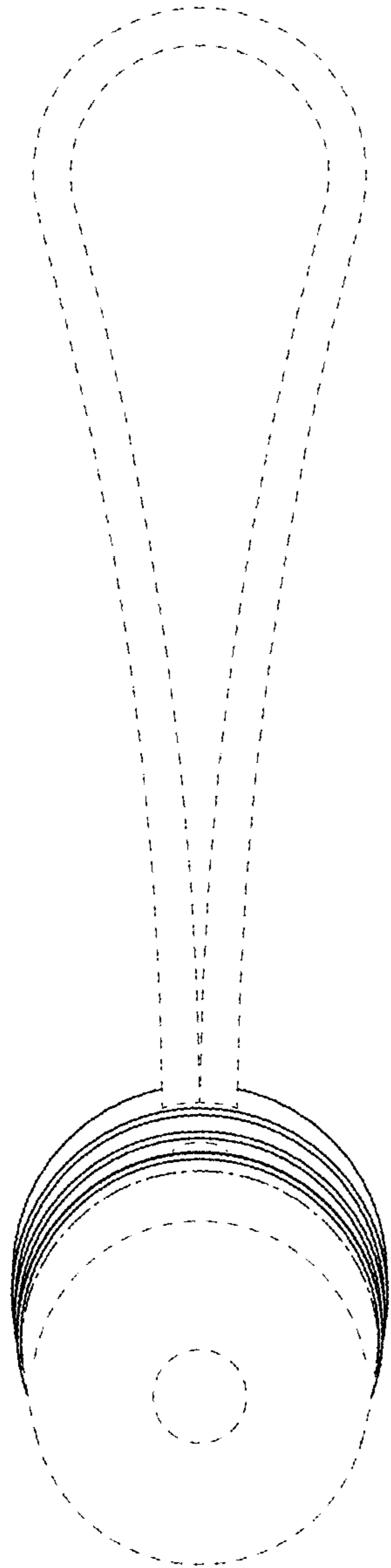


FIG. 6

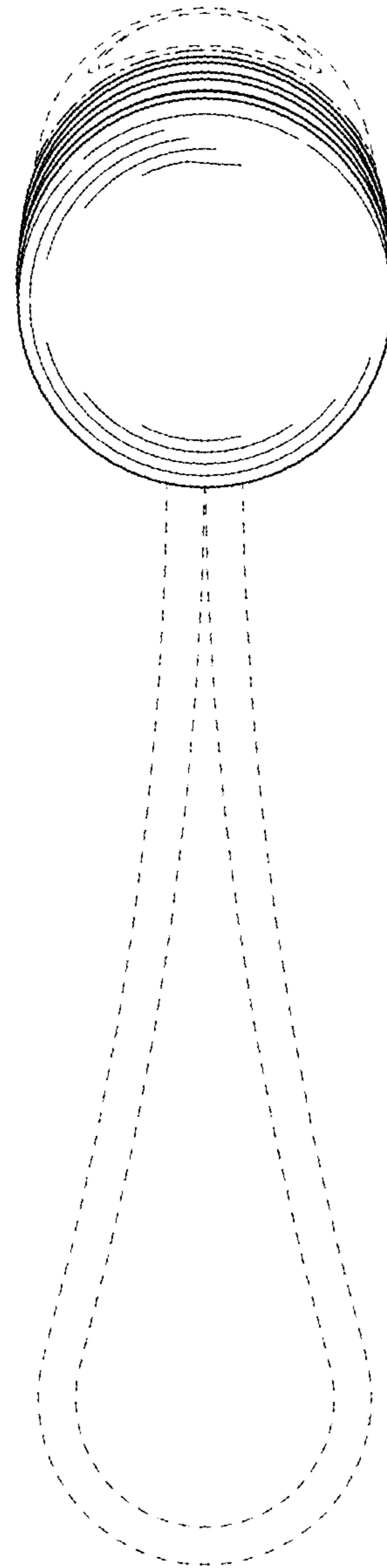


FIG. 7

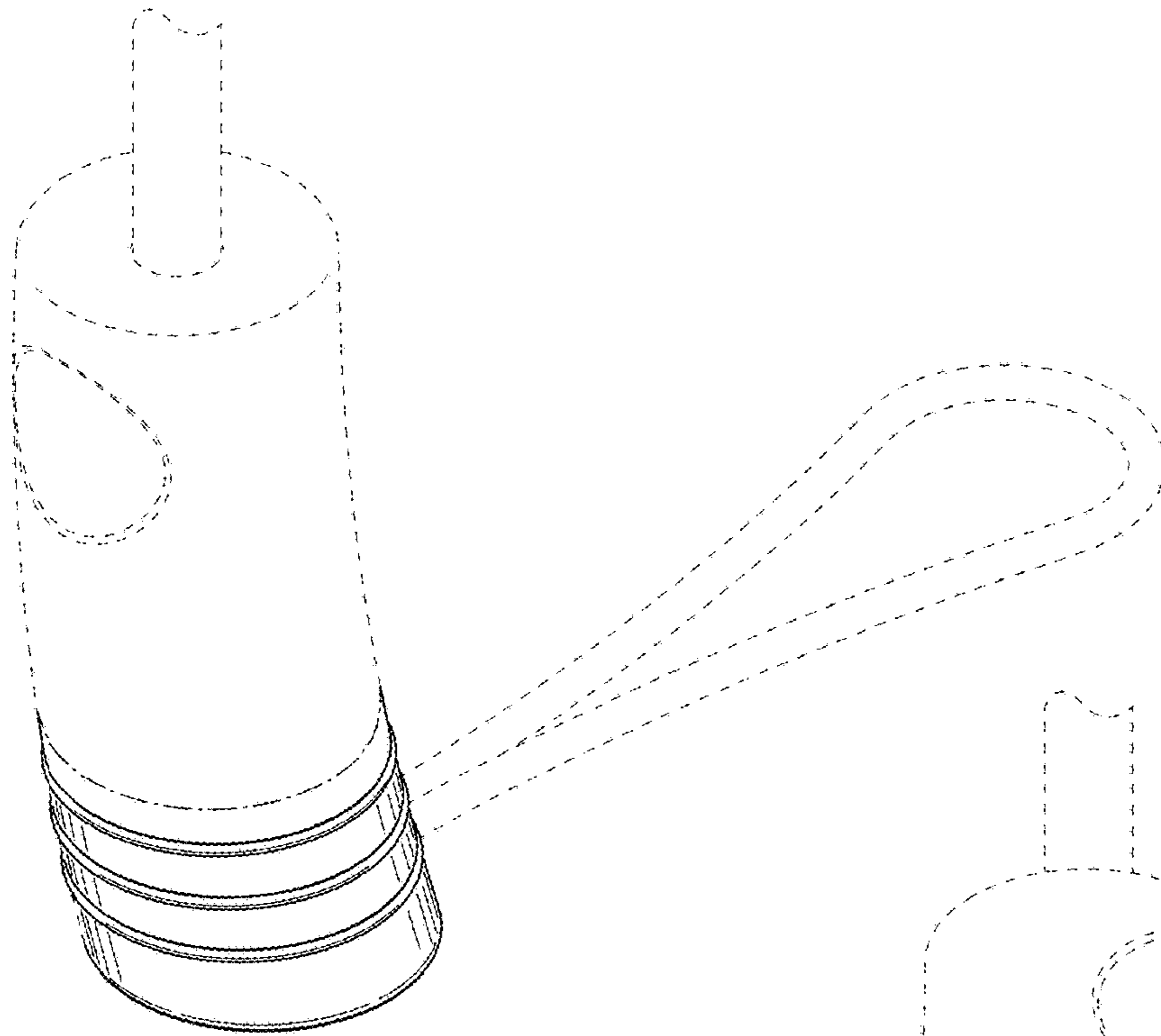


FIG. 8

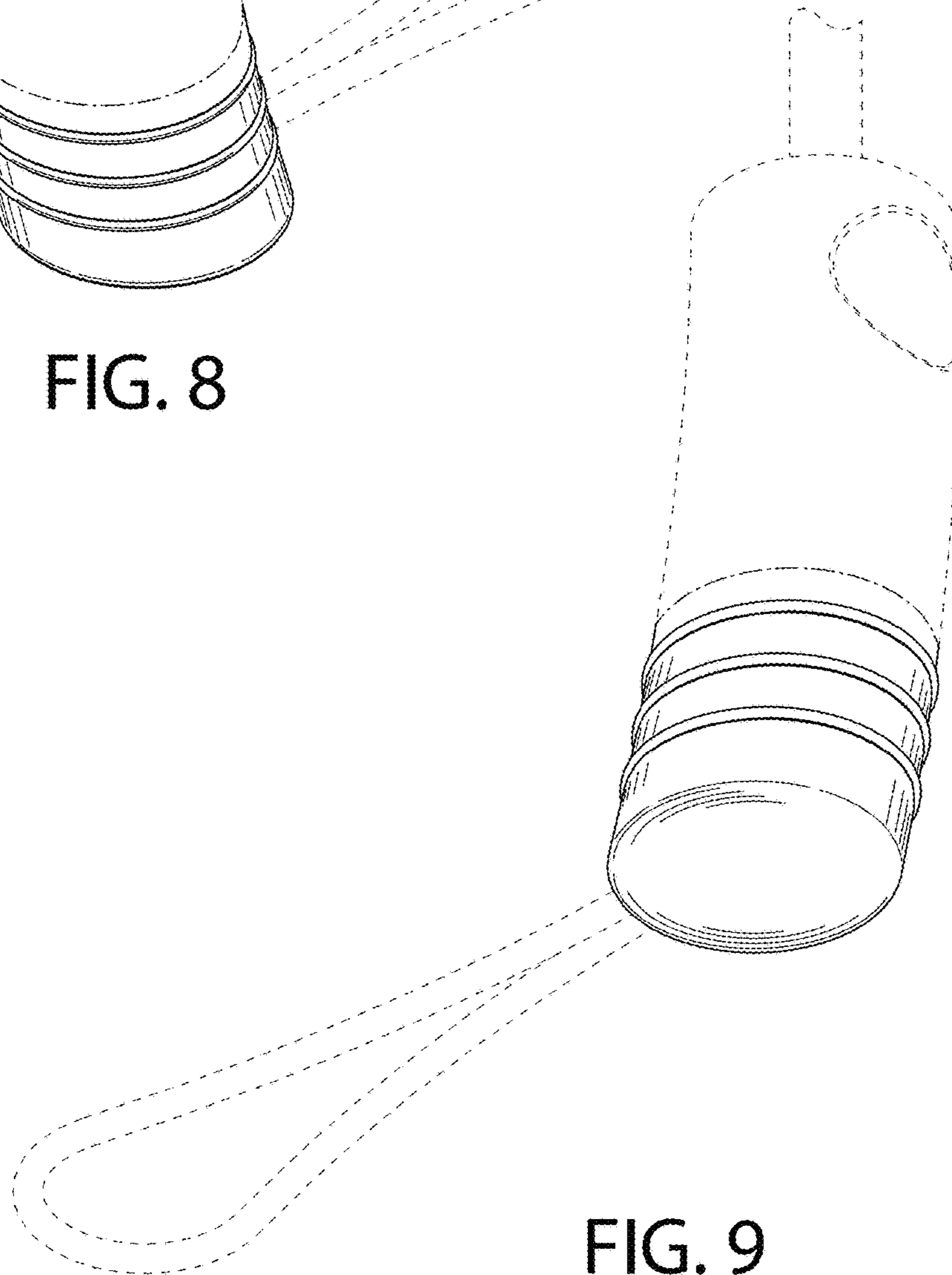


FIG. 9

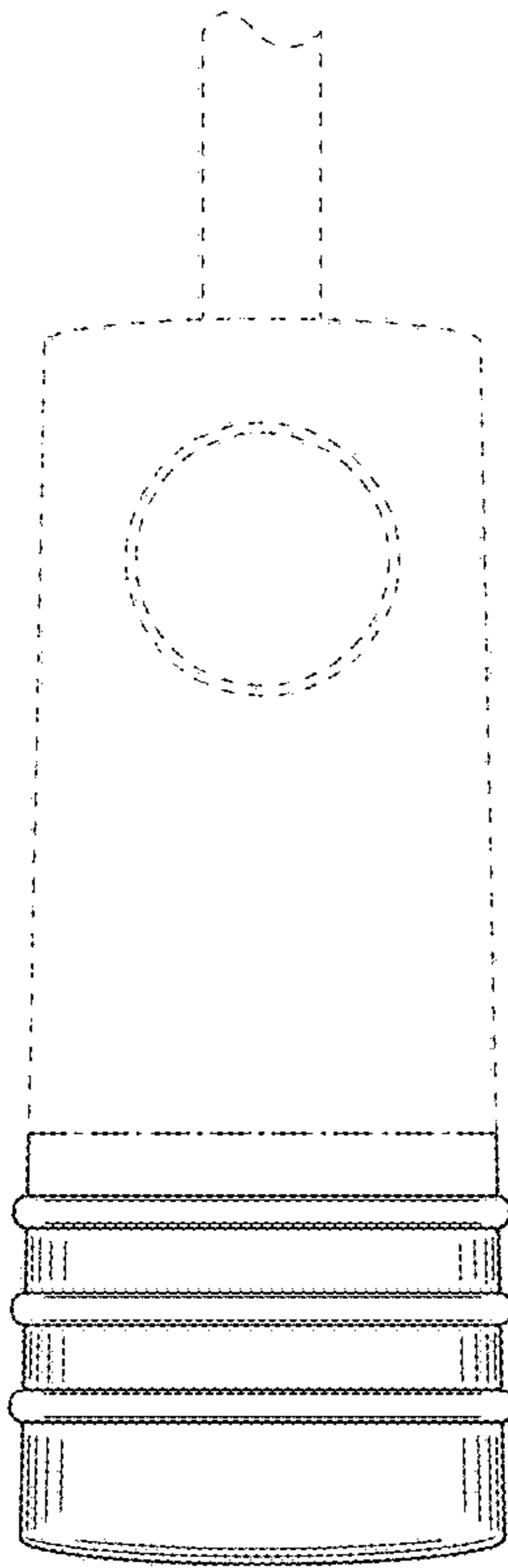


FIG. 10

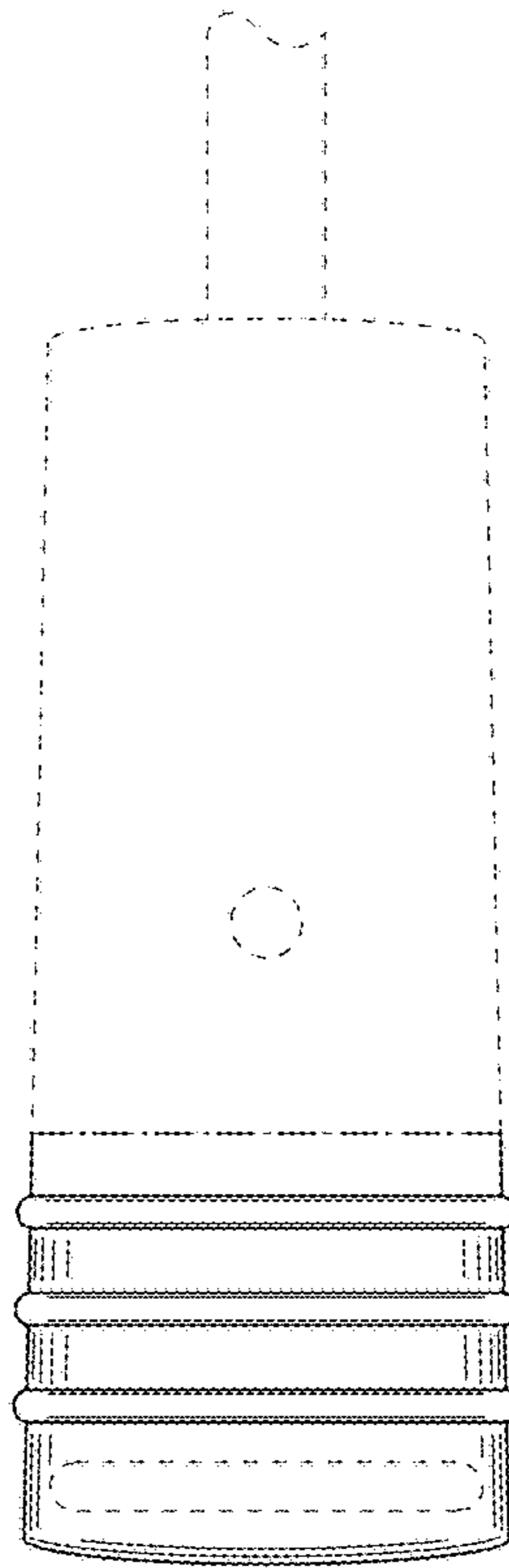


FIG. 11

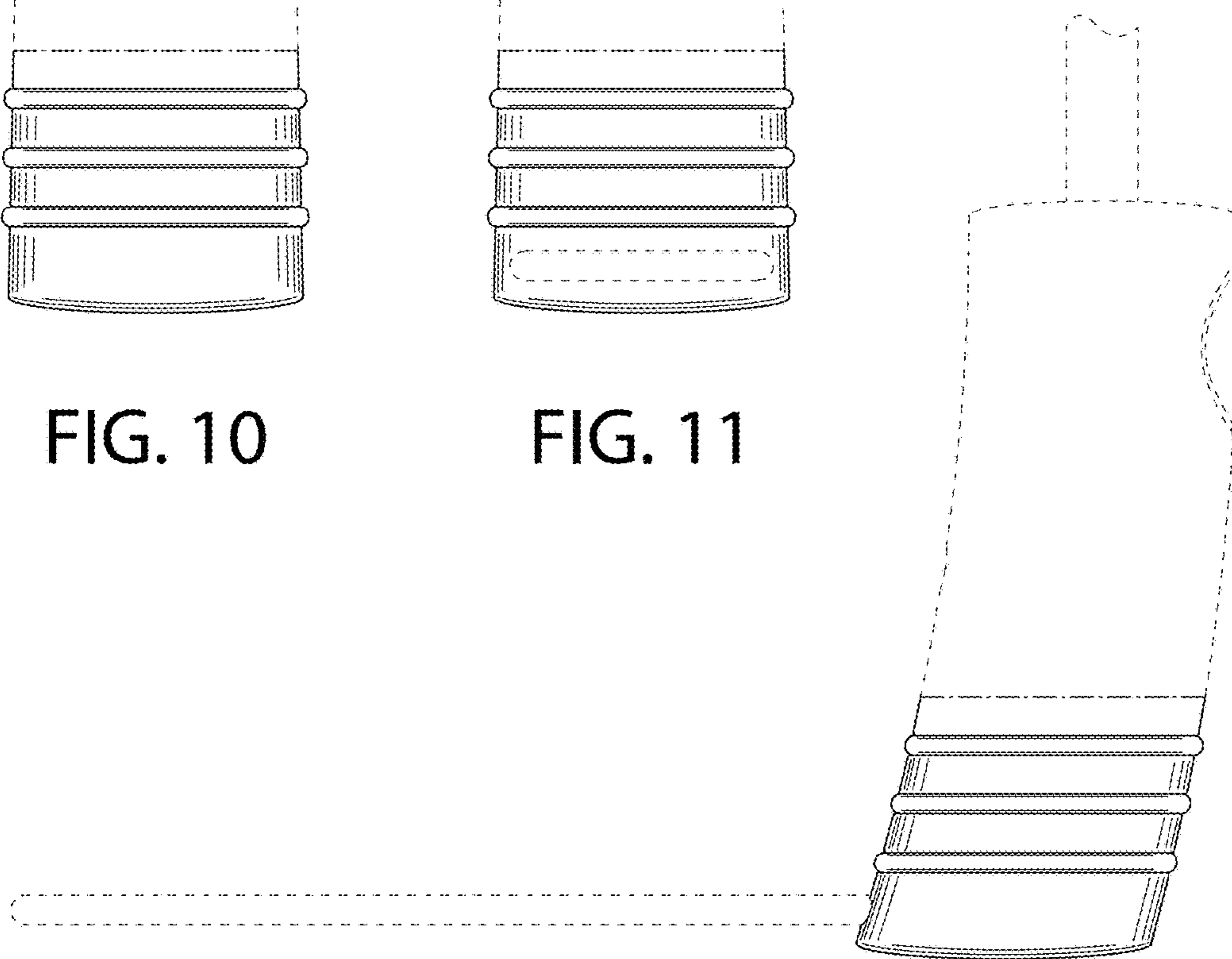


FIG. 12

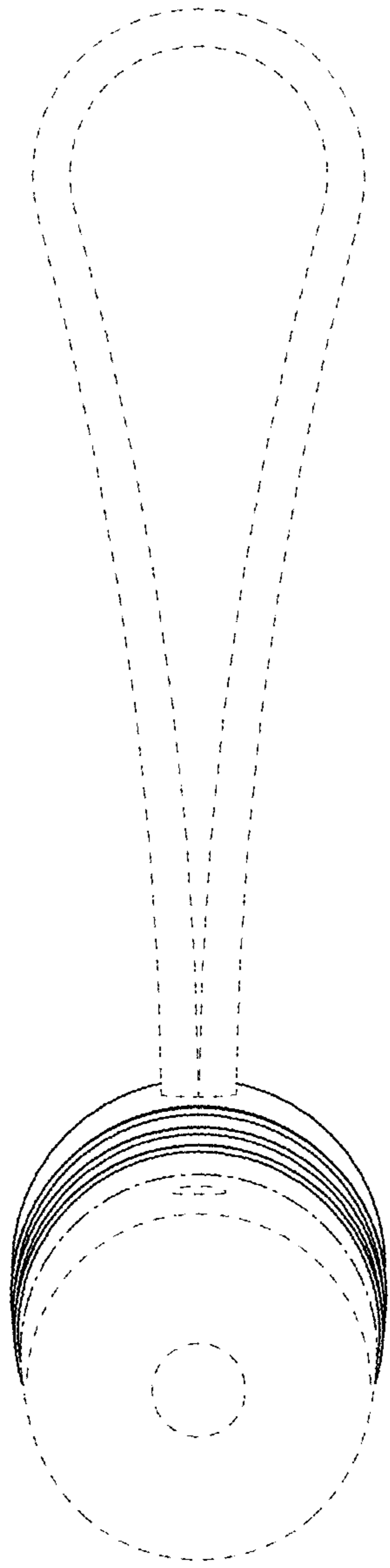


FIG. 13

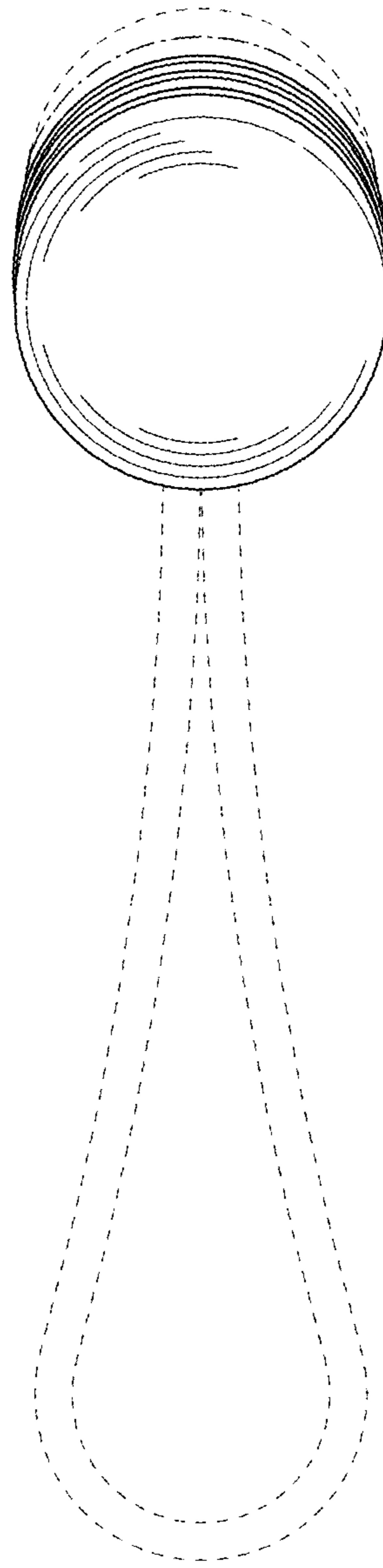


FIG. 14