



US00D774745S

(12) **United States Design Patent** (10) **Patent No.:** **US D774,745 S**
Weber (45) **Date of Patent:** **** *Dec. 27, 2016**

- (54) **CRUTCH SADDLE**
- (71) Applicant: **Mobi, LLC**, Bloomington, MN (US)
- (72) Inventor: **Jeffrey A. Weber**, Golden Valley, MN (US)
- (73) Assignee: **Mobi, LLC**, Bloomington, MN (US)
- (*) Notice: This patent is subject to a terminal disclaimer.
- (**) Term: **14 Years**
- (21) Appl. No.: **29/477,340**
- (22) Filed: **Dec. 20, 2013**
- (51) **LOC (10) Cl.** **03-03**
- (52) **U.S. Cl.**
USPC **D3/8**
- (58) **Field of Classification Search**
USPC .. D3/8, 10, 12; D6/601; D14/253; D21/797;
D24/183, 188; 135/71, 73, 79
CPC A61H 3/02; A61H 2003/0211; A61H
2003/0205
See application file for complete search history.

D369,663 S *	5/1996	Gostine	D24/183
D384,851 S *	10/1997	Heginbottom	D6/601
5,848,603 A *	12/1998	Urban	135/71
D443,132 S *	6/2001	Jones	D3/8
D449,043 S *	10/2001	Chow	D14/253
D466,749 S *	12/2002	O'Quinn	D6/601
D476,148 S *	6/2003	Horton	D3/10
D552,245 S *	10/2007	Davis	D24/188
D625,510 S *	10/2010	Muller et al.	D3/12
D644,831 S *	9/2011	Smith	D3/8
D654,682 S *	2/2012	White	D3/10
D689,304 S *	9/2013	Tang	D6/601
2006/0124163 A1 *	6/2006	Tu	135/79

* cited by examiner

Primary Examiner — Karen E Kearney
Assistant Examiner — Catherine Posthauer
 (74) *Attorney, Agent, or Firm* — Patterson Thuent Pedersen, P.A.

(57) **CLAIM**

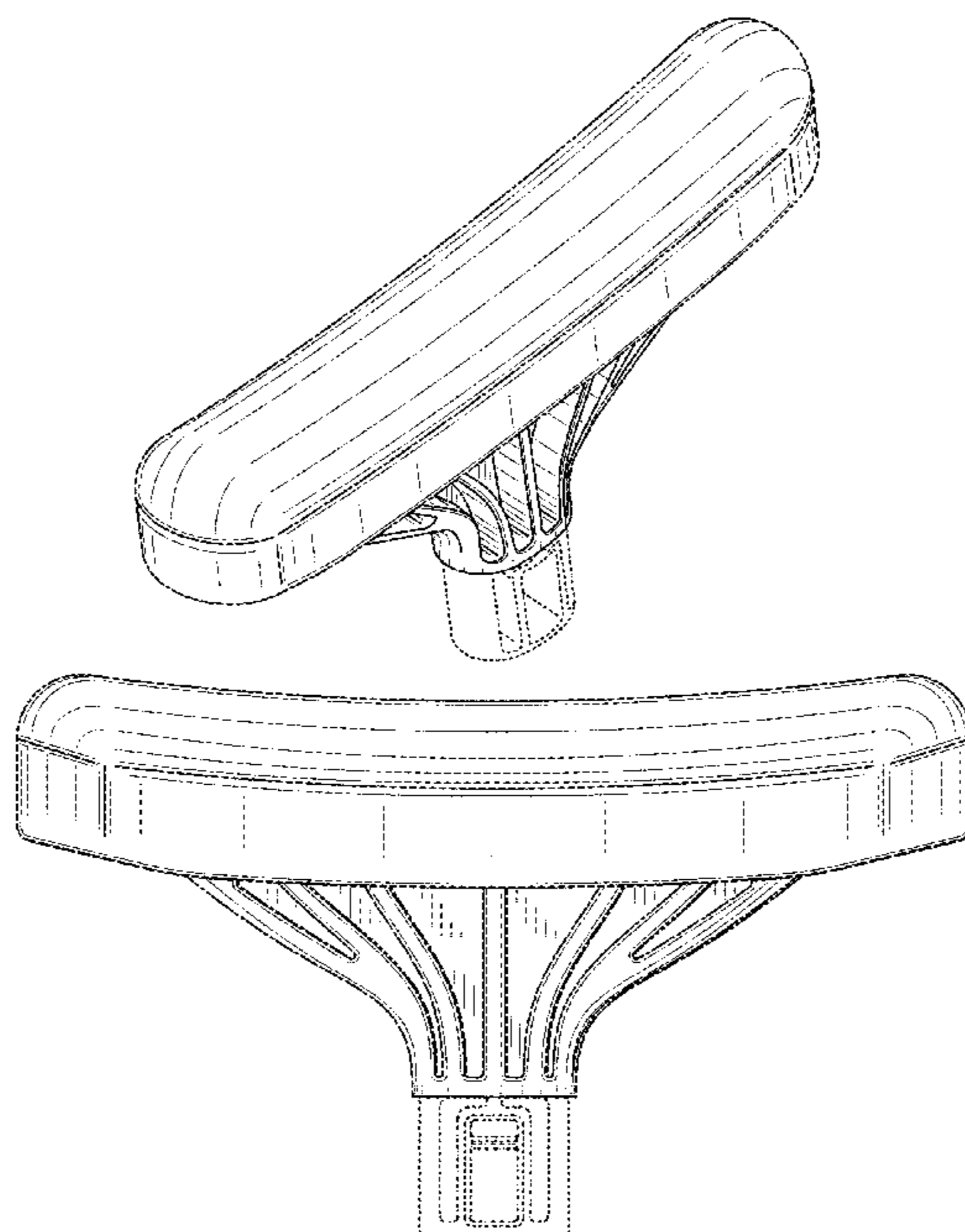
The ornamental design for a crutch saddle, as shown and described.

DESCRIPTION

FIG. 1 is a top rear perspective view of a crutch saddle. FIG. 2 is a bottom rear perspective view of the crutch saddle. FIG. 3 is a right side elevation view of the crutch saddle, the left side elevation view being the same as the right side elevation view. FIG. 4 is a front elevation view of the crutch saddle, the back elevation view being the same as the front elevation view. FIG. 5 is a top plan view of the crutch saddle; and, FIG. 6 is a bottom plan view of the crutch saddle. The broken lines shown in the drawings represent portions of the crutch saddle that form no part of the claimed design.

1 Claim, 6 Drawing Sheets

- (56) **References Cited**
U.S. PATENT DOCUMENTS
- | | | | |
|---------------|---------|-----------------------|---------|
| 1,673,609 A * | 6/1928 | Weis | 135/73 |
| 2,362,642 A * | 11/1944 | Lamb | 135/73 |
| 3,269,400 A * | 8/1966 | Smith et al. | 135/73 |
| D223,378 S * | 4/1972 | Austin | D21/797 |
| D268,456 S * | 4/1983 | Oleniak et al. | D3/10 |
| 4,637,414 A * | 1/1987 | Urban | 135/73 |
| D288,143 S * | 2/1987 | Scott | D3/8 |
| D318,366 S * | 7/1991 | Goldstein et al. | D3/10 |



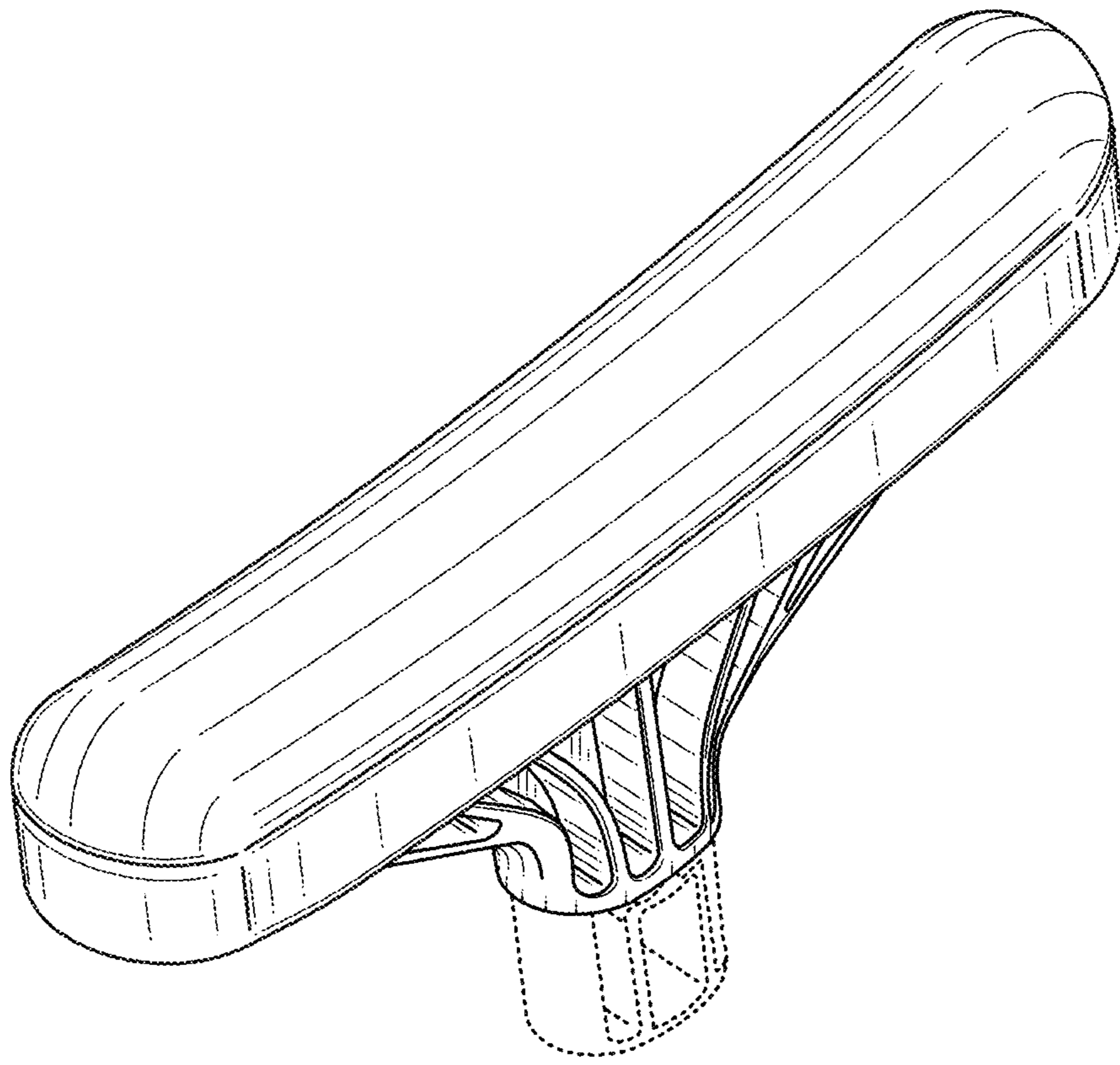


Fig. 1

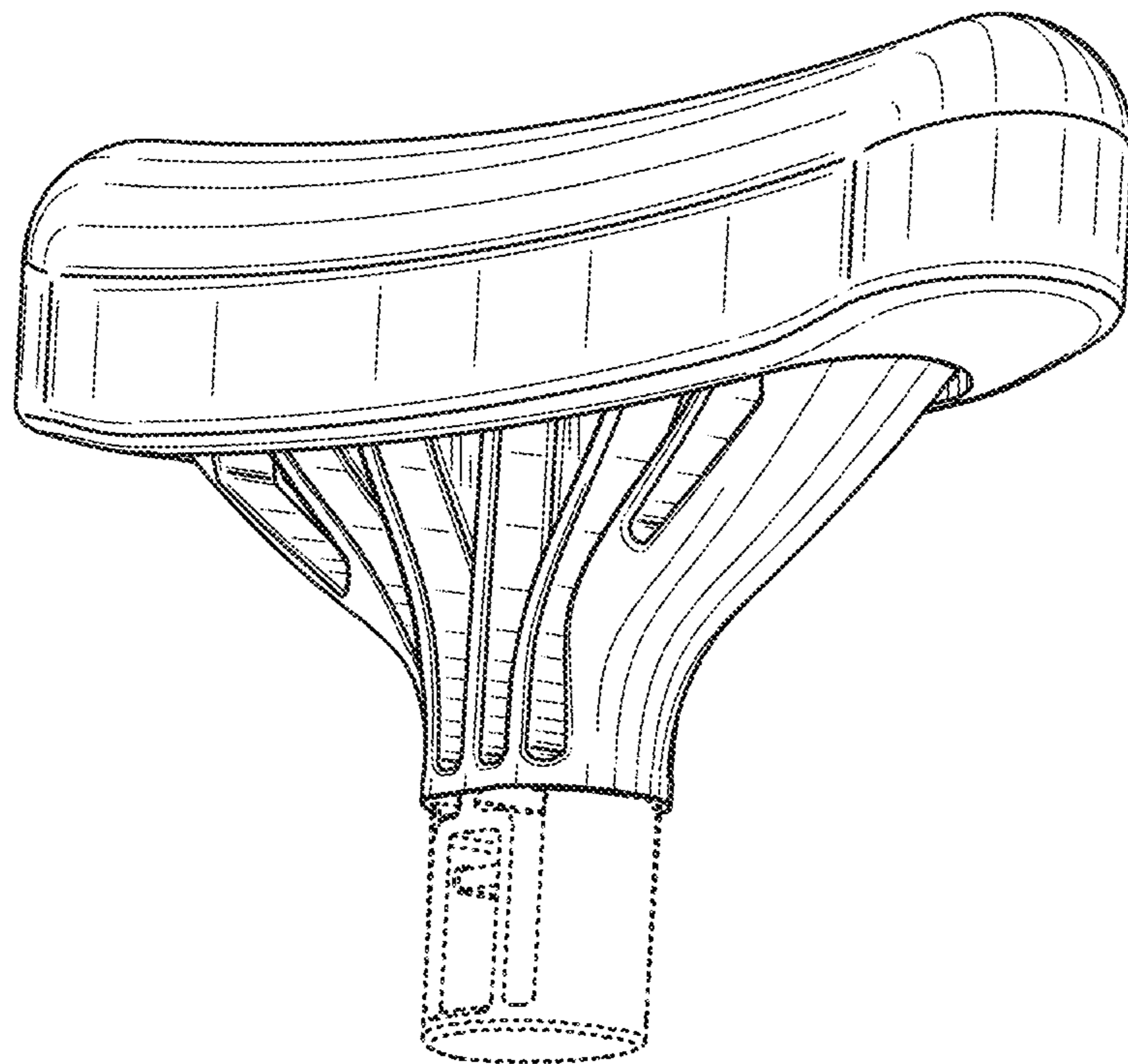


Fig. 2

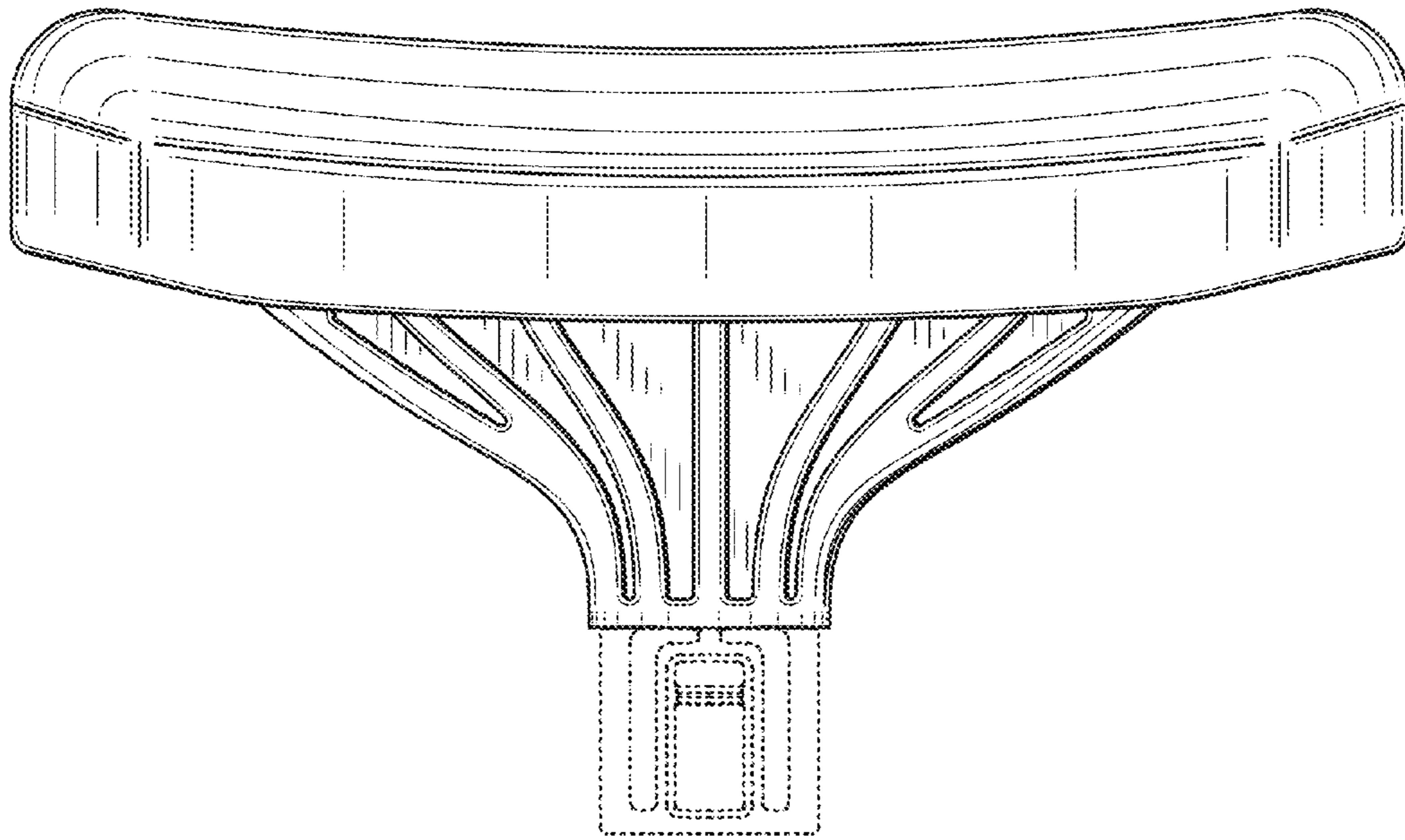


Fig. 3

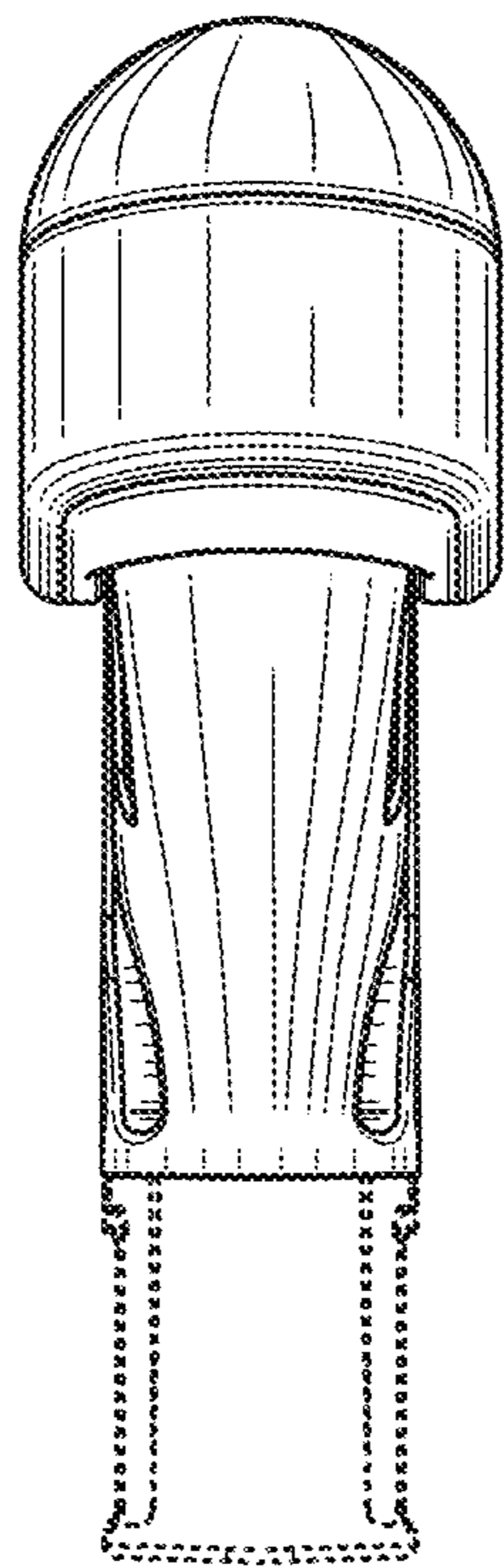


Fig. 4

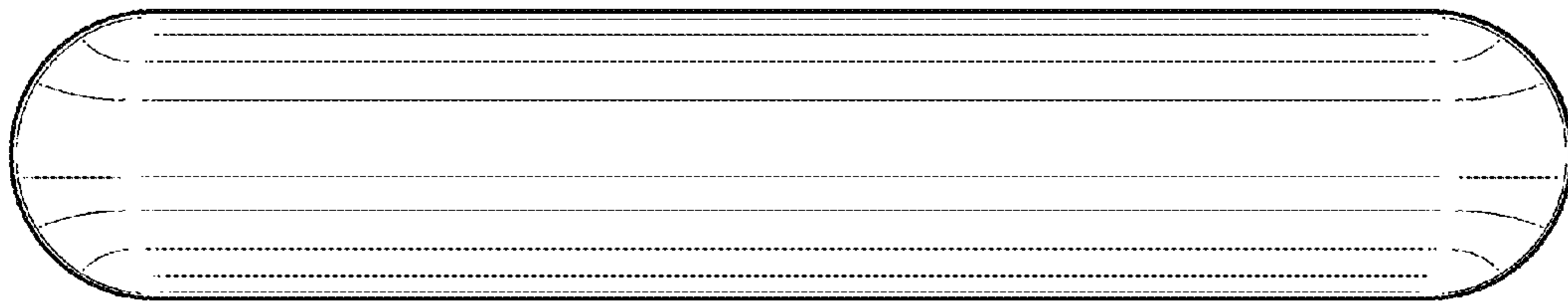


Fig. 5

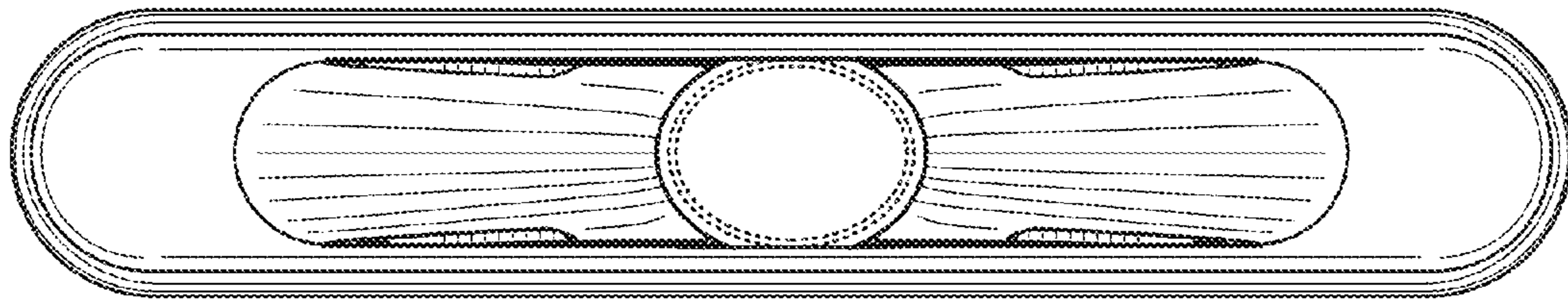


Fig. 6