



US00D774743S

(12) **United States Design Patent** (10) **Patent No.:** **US D774,743 S**  
**Noyes** (45) **Date of Patent:** **\*\* Dec. 27, 2016**

(54) **FOOTWEAR**

(71) Applicant: **JCT Design LLC**, Portland, OR (US)

(72) Inventor: **Samantha Noyes**, Portland, OR (US)

(73) Assignee: **JCT Design LLC**, Portland, OR (US)

(\*\*) Term: **15 Years**

(21) Appl. No.: **29/538,651**

(22) Filed: **Sep. 4, 2015**

(51) **LOC (10) Cl.** ..... **02-07**

(52) **U.S. Cl.**

USPC ..... **D2/978**; D2/946

(58) **Field of Classification Search**

USPC ..... D2/925, 907, 961, 962, 972, 978, 976,  
D2/944, 916, 919, 921, 929, 930, 932,  
D2/936, 941, 943, 946, 969, 971, 974,  
D2/973

CPC ..... A43B 3/001; A43B 3/12; A43B 3/122;  
A43B 3/124; A43B 3/126; A43B 3/0042;  
A43B 5/06; A43B 13/37; A43B 23/02

See application file for complete search history.

(56) **References Cited**

**U.S. PATENT DOCUMENTS**

D517,299 S *	3/2006	Drury	.....	D2/969
D544,187 S *	6/2007	Hulbert	.....	D2/969
D548,940 S *	8/2007	Hulbert	.....	D2/969
D582,145 S *	12/2008	Belley	.....	D2/971
D613,043 S *	4/2010	Walton	.....	D2/902
D650,976 S *	12/2011	Gallas	.....	D2/906
D662,309 S *	6/2012	Ard	.....	D2/971
D761,005 S *	7/2016	Nataadiningrat	.....	D2/925

**OTHER PUBLICATIONS**

Skechers Women's Relaxed Fit, announced Oct. 7, 2015 [online], [site visited Oct. 12, 2016]. Available from internet, URL: <https://www.google.com/shopping/product/3948946935281800520?q=shoe+with+strap+no+laces&biw=1289

&bih=670&bay=on.2,or.&tch=1&ech=1&psi=uY3-V7XRG4f1-QHr\_ZGIBg.1476300344228.7&sa=X  
&ved=0ahUKEwiKoNTY\_9XPAhXGFz4KHWfzBNIQwEAIKCgB>.\*  
Skechers Cross Sneakers, announced Jul. 28, 2016 [online], [site visited Oct. 12, 2016]. Available from internet, URL: <https://www.google.com/shopping/product/17191675581351382750?q=skechers+with+strap&biw=1289&bih=670&bay=on.2,or.&tch=1&ech=1&psi=uY3-V7XRG4f1-QHr\_ZGIBg.1476300344228.13&prds=paur:ClkAsKraX29-C-exCmHnknkxe1012QtiNli\_IEQMZcOiSrQo>.\*  
Skechers Shoe, announced Jun. 27, 2005 [online], [site visited Oct. 12, 2016]. Available from internet, URL: <https://www.google.com/shopping/product/2332197659858281855?biw=1289&bih=670&q=skechers+with+strap&spell=1&bav=on.2,or.&tch=1&ech=1&psi=uY3-V7XRG4f1-QHr\_ZGIBg.1476300344228.11&prds=paur:ClkAsKraX\_ARFTUZ7XzYeFKrShgQ3jkj0M9h7ptEcGeZsQy673-65>.\*

\* cited by examiner

*Primary Examiner* — Keli L Hill

*Assistant Examiner* — Karra S Johnson

(74) *Attorney, Agent, or Firm* — Dascenzo Intellectual Property Law, P.C.

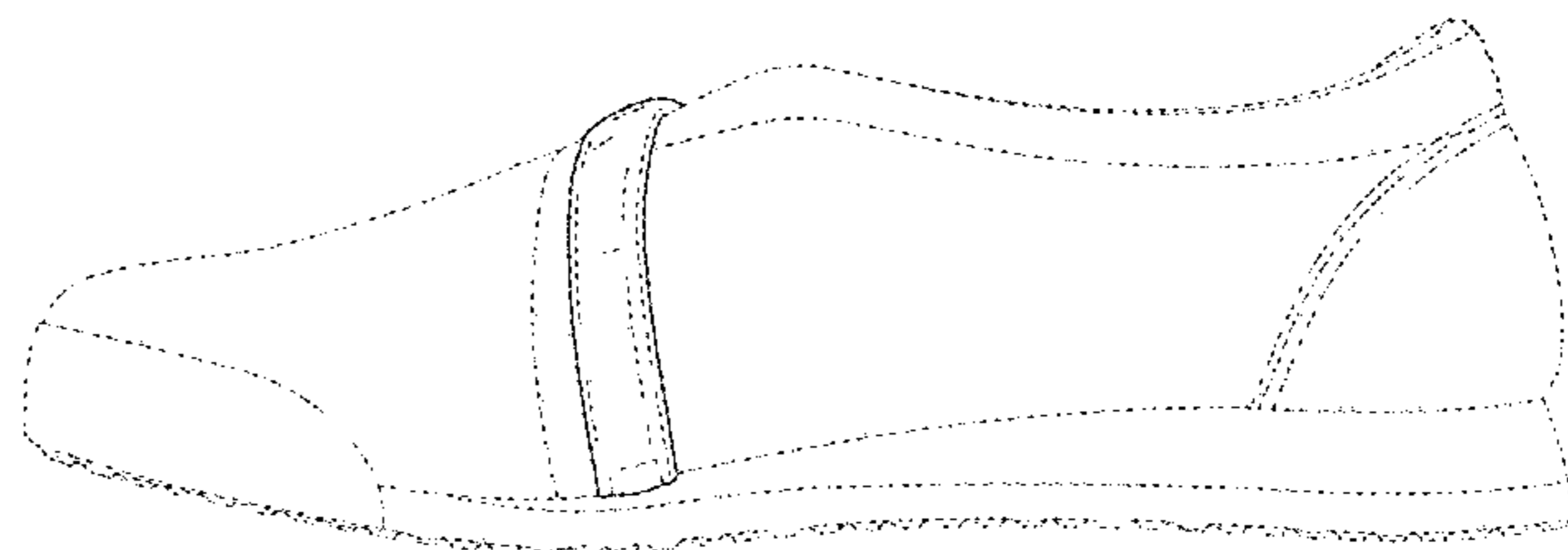
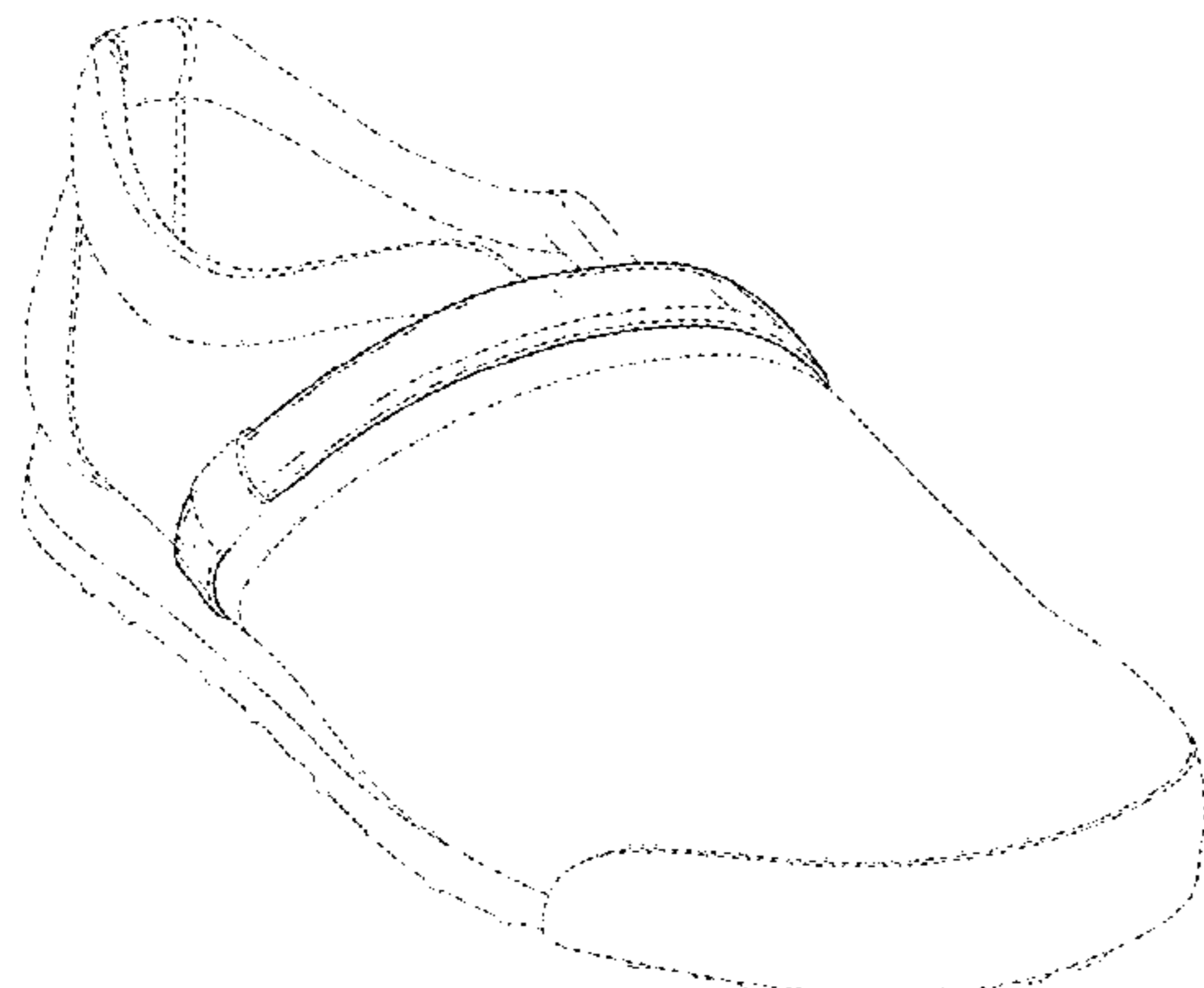
(57) **CLAIM**

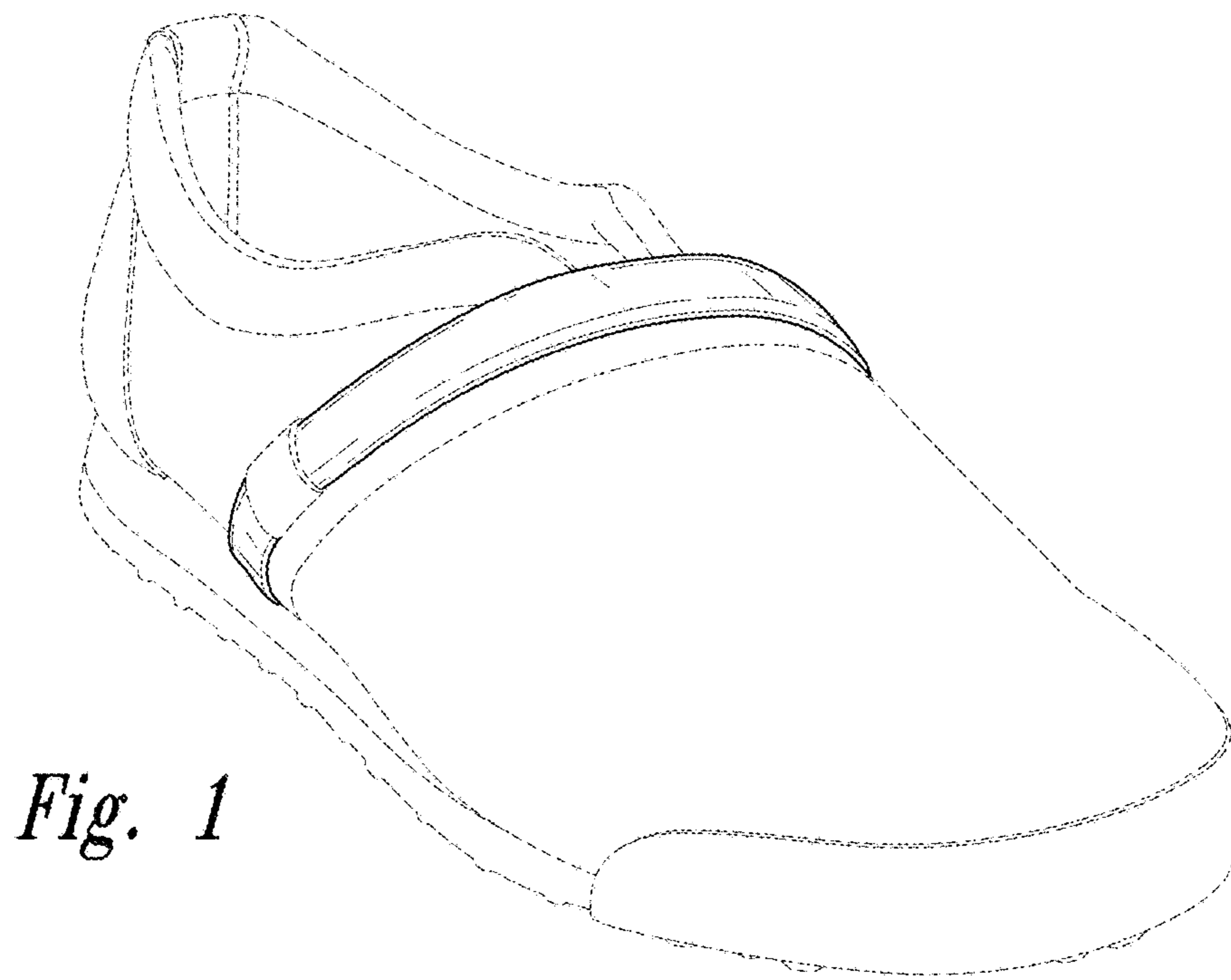
The ornamental design for footwear, as shown and described.

**DESCRIPTION**

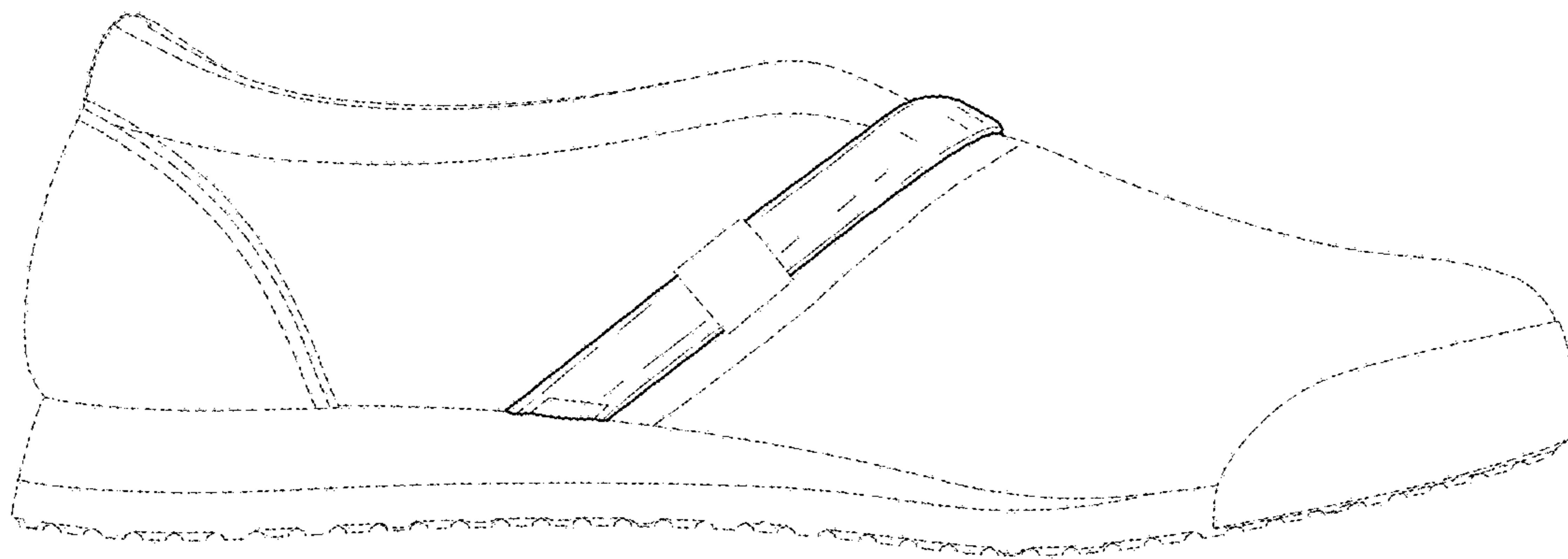
FIG. 1 is a perspective view of an article of footwear showing the claimed design;  
FIG. 2 is a lateral elevation view thereof;  
FIG. 3 is a medial elevation view thereof;  
FIG. 4 is a top plan view thereof;  
FIG. 5 is a bottom plan view thereof;  
FIG. 6 is a front elevation view thereof; and,  
FIG. 7 is a rear elevation view thereof.  
The dashed lines shown in the drawings illustrate portions of the footwear that form no part of the presently claimed design.

**1 Claim, 2 Drawing Sheets**

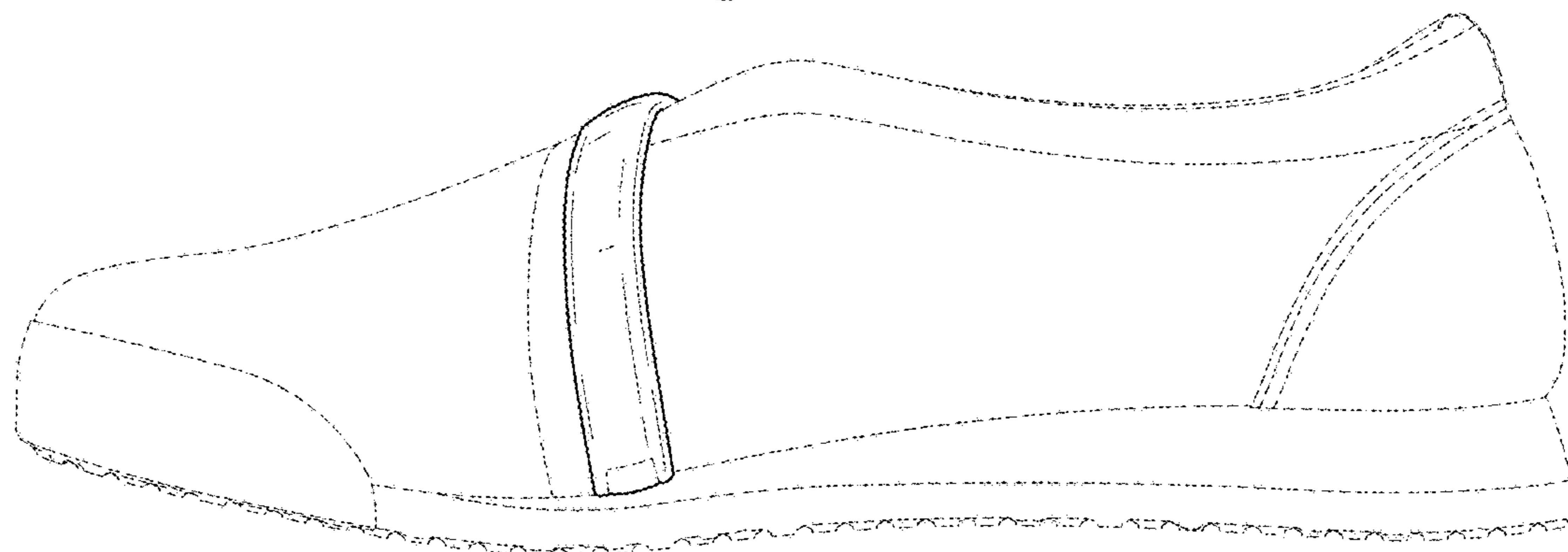




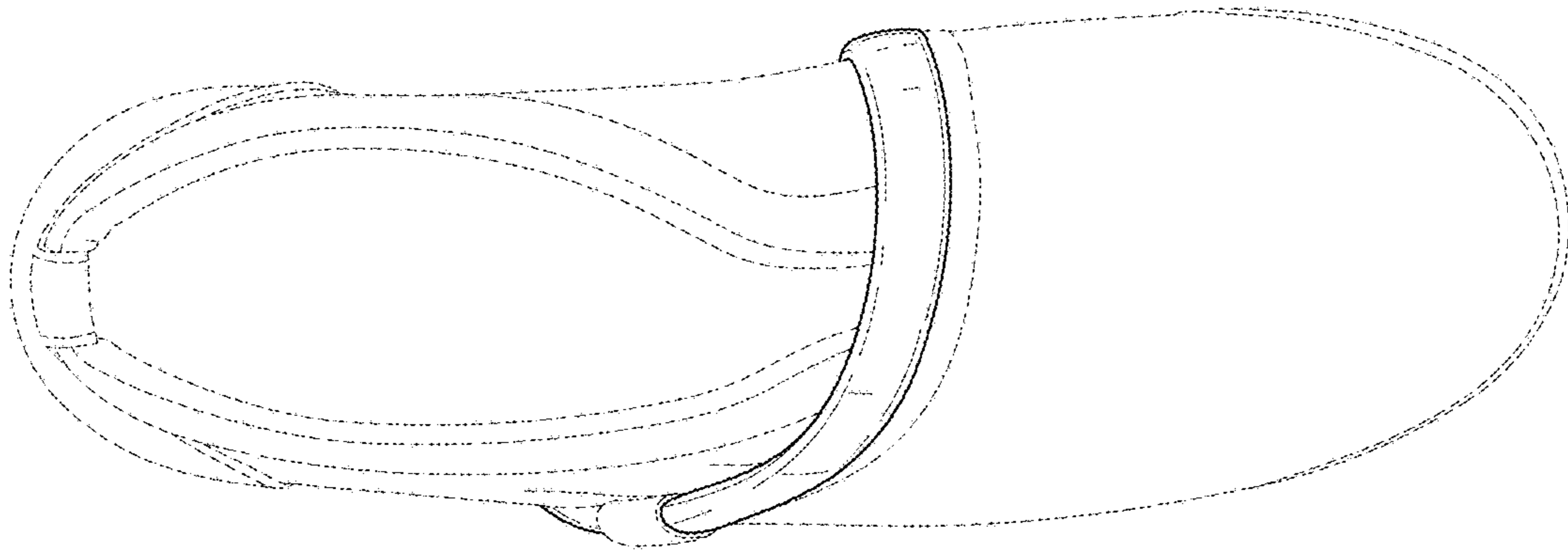
*Fig. 1*



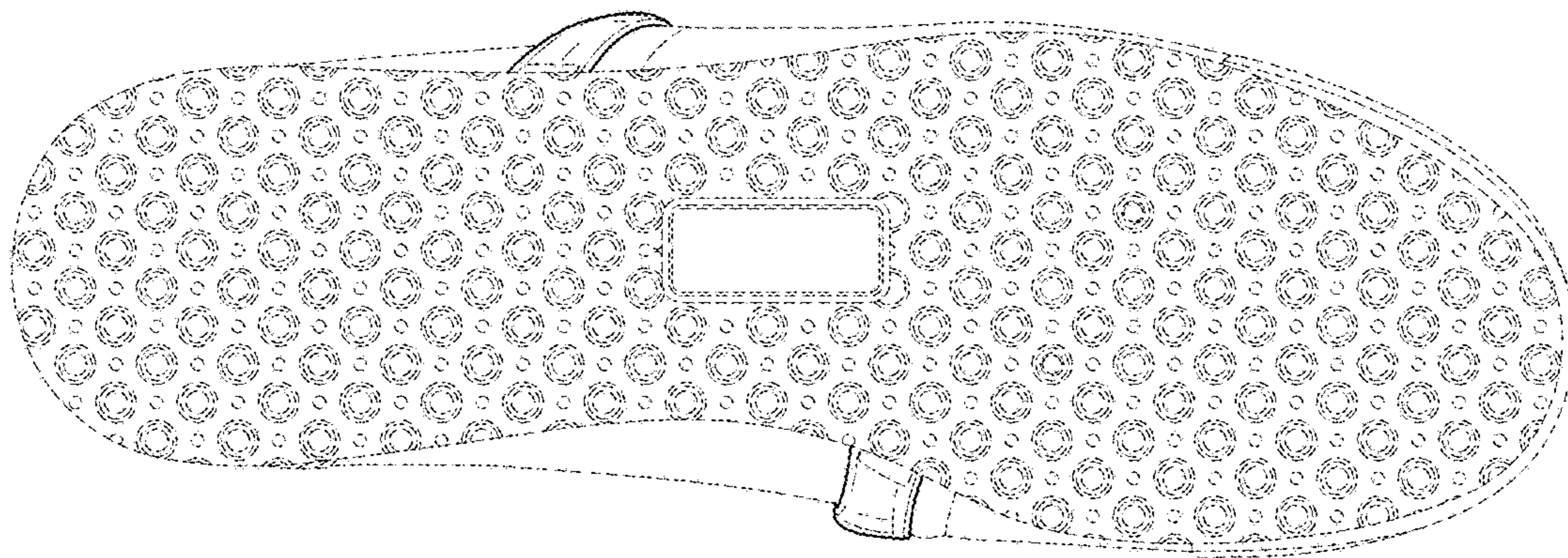
*Fig. 2*



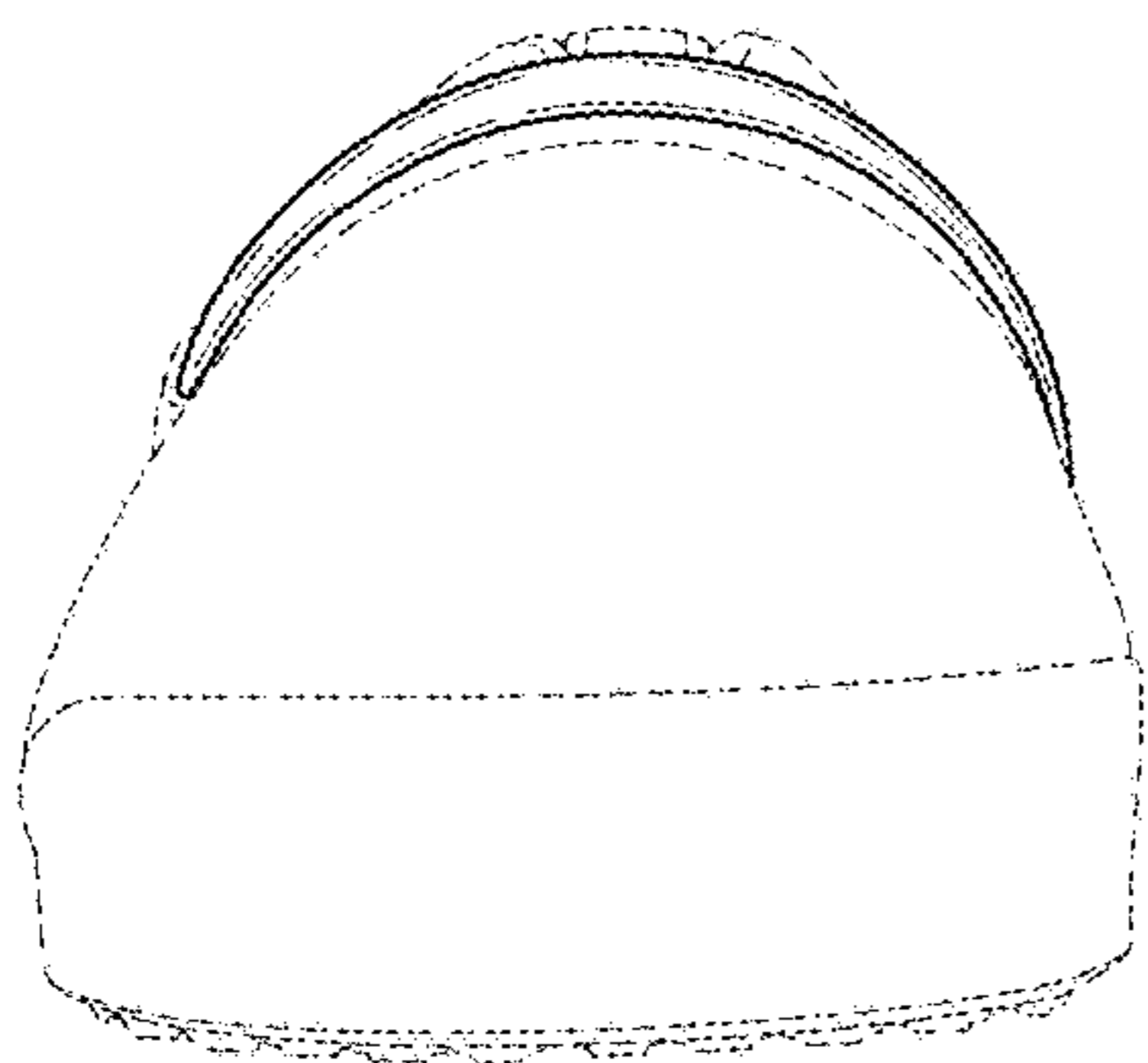
*Fig. 3*



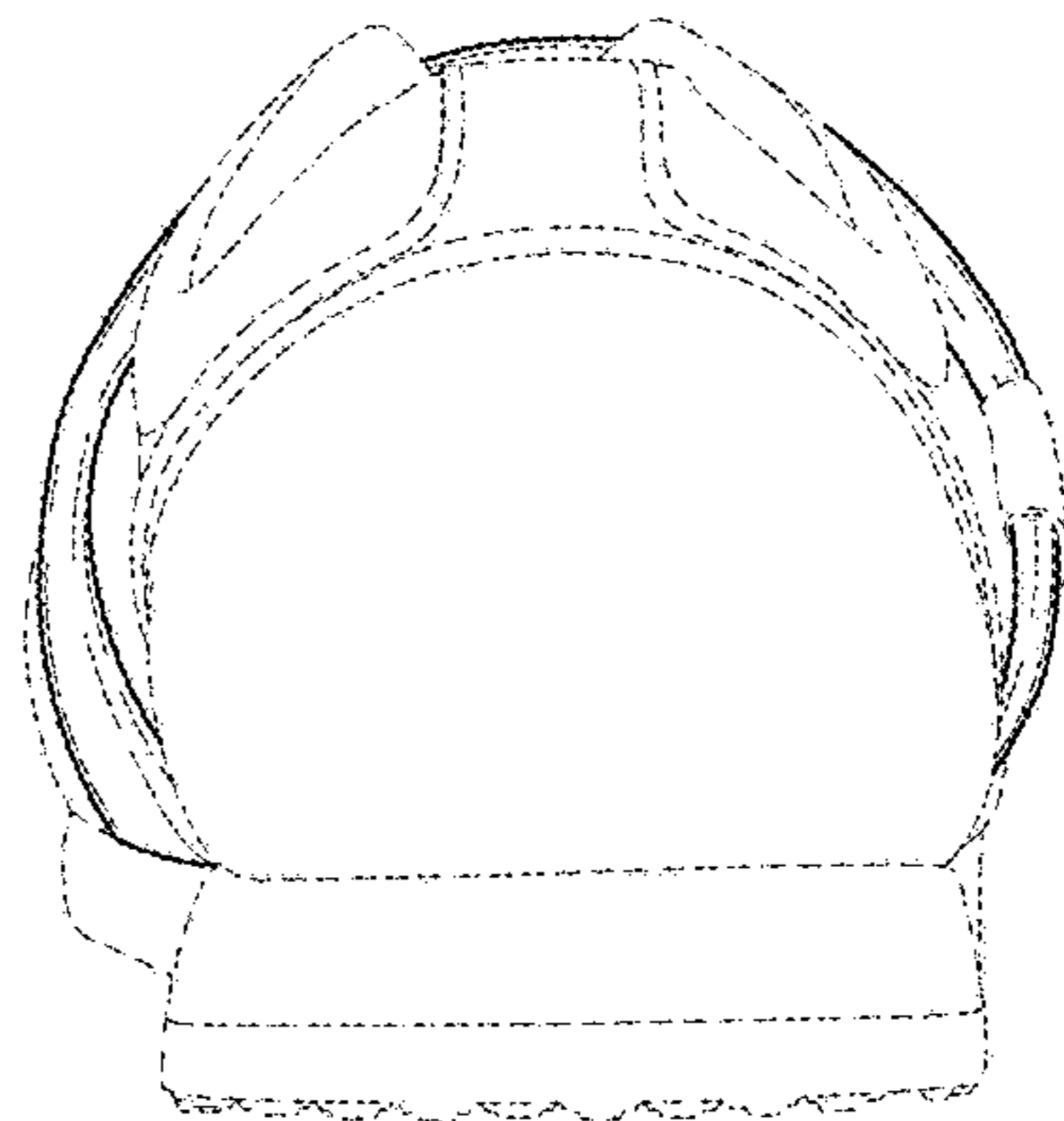
*Fig. 4*



*Fig. 5*



*Fig. 6*



*Fig. 7*