



US00D774739S

(12) **United States Design Patent**
Oliver

(10) **Patent No.:** **US D774,739 S**

(45) **Date of Patent:** **** Dec. 27, 2016**

- (54) **FOOTWEAR SOLE**
- (71) Applicant: **Island Wars, LLC**, Phoenix, AZ (US)
- (72) Inventor: **Robert Oliver**, Phoenix, AZ (US)
- (73) Assignee: **Island Wars, LLC**, Phoenix, AZ (US)
- (**) Term: **14 Years**
- (21) Appl. No.: **29/520,228**
- (22) Filed: **Mar. 12, 2015**
- (51) **LOC (10) Cl.** **02-04**
- (52) **U.S. Cl.**
USPC **D2/952; D2/948; D2/951**
- (58) **Field of Classification Search**
USPC D2/902, 906, 908, 916, 918, 925,
D2/946-962, 977; 36/3 B, 22 R, 24.5,
36/25 R, 28, 32 R, 34 R, 59 C, 67 A,
36/103
CPC A43B 13/00; A43B 13/02; A43B 13/023;
A43B 13/026; A43B 13/04; A43B 13/08;
A43B 13/10; A43B 13/12; A43B 13/14;
A43B 13/141; A43B 13/143; A43B 13/16;
A43B 13/18; A43B 13/181; A43B 13/187;
A43B 13/189; A43B 13/20; A43B 13/22;
A43B 13/223; A43B 13/24; A43B 13/28;
A43B 13/30; A43B 13/32; A43B 13/34;
A43B 13/36
See application file for complete search history.

- (56) **References Cited**
U.S. PATENT DOCUMENTS
2,328,242 A * 8/1943 Witherill A43B 13/14
36/1
D247,832 S * 5/1978 Glasgow D2/952
D295,114 S * 4/1988 Horne D2/948
D309,670 S * 8/1990 Mendonca D2/952
5,465,507 A * 11/1995 Schumacher A43B 13/16
36/114
D393,726 S * 4/1998 Sweeney D2/961

- D399,644 S * 10/1998 Ball D2/952
- 5,915,820 A * 6/1999 Kraeuter A43B 5/00
36/102
- 6,065,230 A * 5/2000 James A43B 3/0057
36/25 R
- 6,544,626 B1 * 4/2003 Minges A43B 13/22
36/28
- D507,095 S * 7/2005 Gerber D2/947
- 7,101,604 B1 * 9/2006 Minges A43B 3/0078
36/28
- D625,906 S * 10/2010 Zhang D2/898
- D626,311 S * 11/2010 Zhang D2/898
- D639,535 S * 6/2011 Eggert D2/898
- D647,290 S * 10/2011 Bramani D2/951
- D656,305 S * 3/2012 Harper D2/951
- D657,537 S 4/2012 Rusnak
- D661,074 S * 6/2012 Bramani D2/951
- D661,881 S * 6/2012 Riley D2/952
- D668,855 S 10/2012 Victor

(Continued)

Primary Examiner — T. Chase Nelson
(74) *Attorney, Agent, or Firm* — Booth Udall Fuller, PLC

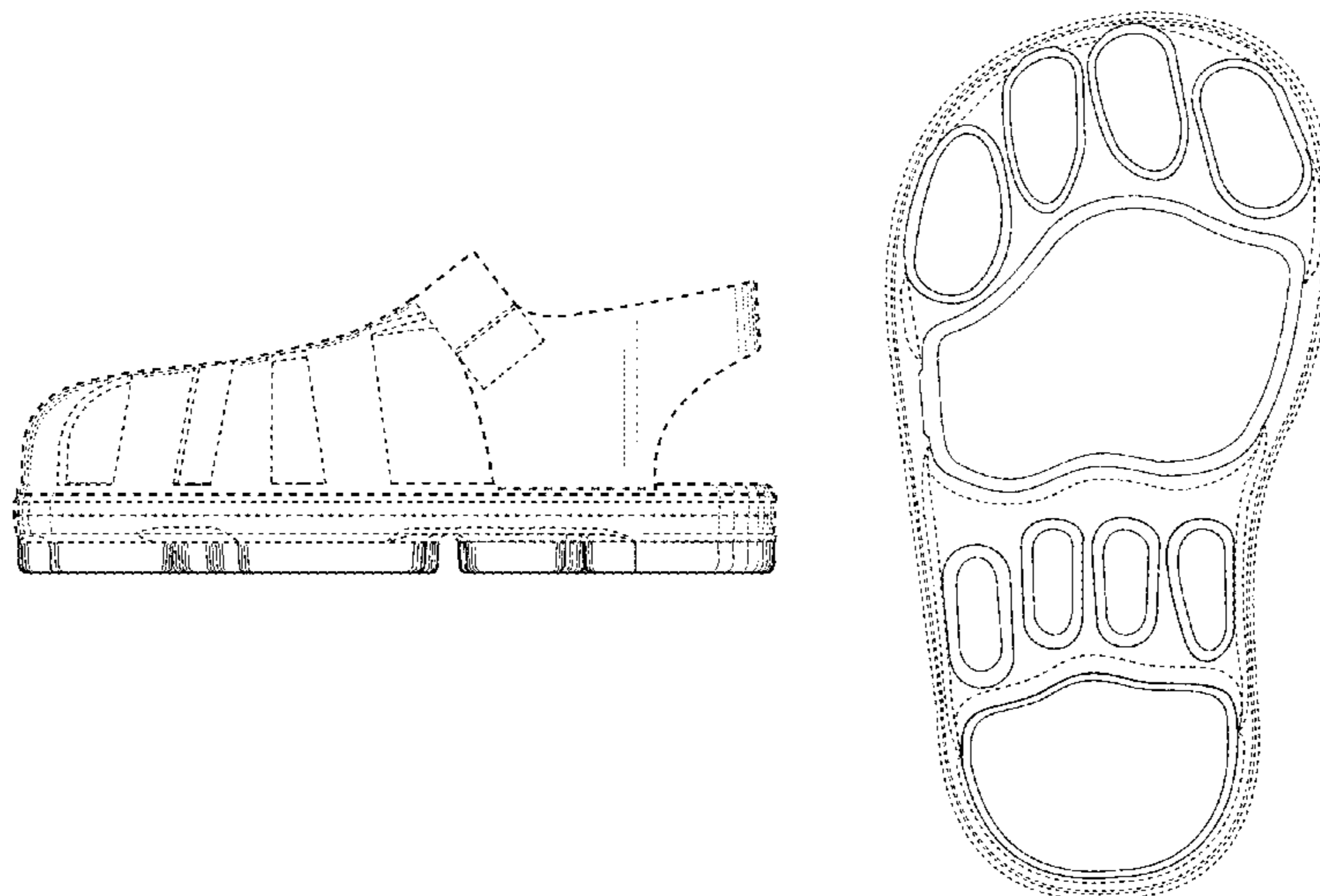
(57) **CLAIM**

The ornamental design for a footwear sole, as shown and described.

DESCRIPTION

FIG. 1 is a top perspective view for a footwear sole;
FIG. 2 is a front view thereof;
FIG. 3 is a rear view thereof;
FIG. 4 is a right side view thereof;
FIG. 5 is a left side view thereof;
FIG. 6 is a top view thereof;
FIG. 7 is a bottom view thereof; and,
FIG. 8 is a bottom perspective view thereof.
The broken lines are included for the purpose of illustrating environmental features and form no part of the claimed design.

1 Claim, 8 Drawing Sheets



(56)

References Cited

U.S. PATENT DOCUMENTS

D674,170 S * 1/2013 Bramani D2/902
D674,171 S * 1/2013 Bramani D2/902
D674,584 S * 1/2013 Klein D2/951
D675,815 S * 2/2013 Dazai D2/951
D693,995 S * 11/2013 Lazaris D2/902
D695,504 S * 12/2013 Harper D2/951
D700,766 S * 3/2014 Bramani D2/902
D719,727 S * 12/2014 Abshire D2/951
D721,877 S * 2/2015 Steele D2/948
D728,902 S * 5/2015 Conchieri D2/902
D730,020 S * 5/2015 Taneva D2/902
D730,021 S * 5/2015 Conchieri D2/902
2013/0232820 A1 * 9/2013 Bramani A43B 7/26
36/94
2013/0305562 A1 * 11/2013 Thatcher A43B 13/12
36/11.5
2014/0123522 A1 * 5/2014 Rustam A43B 7/1425
36/127
2014/0373392 A1 * 12/2014 Cullen A43B 1/00
36/103

* cited by examiner

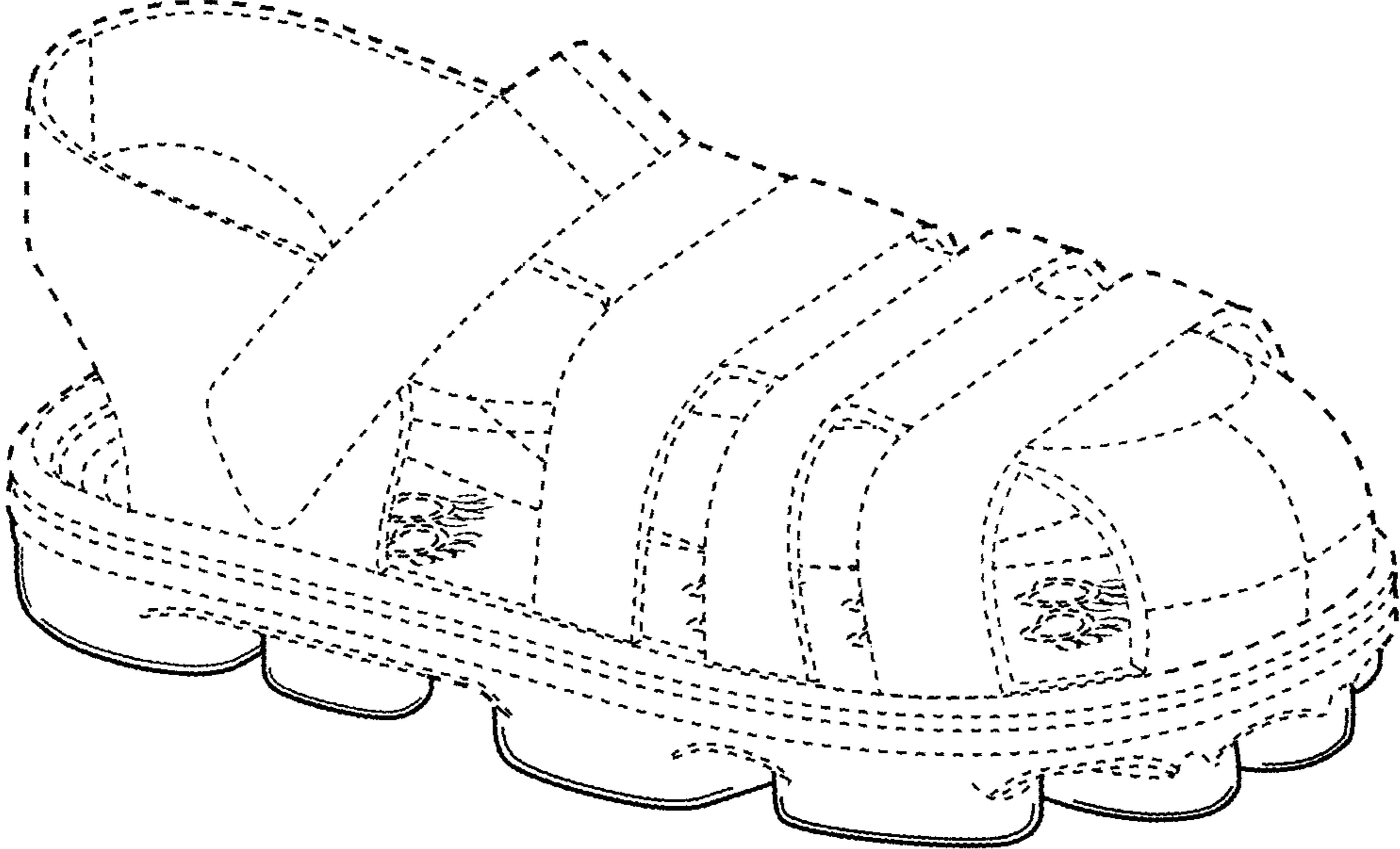


FIG. 1

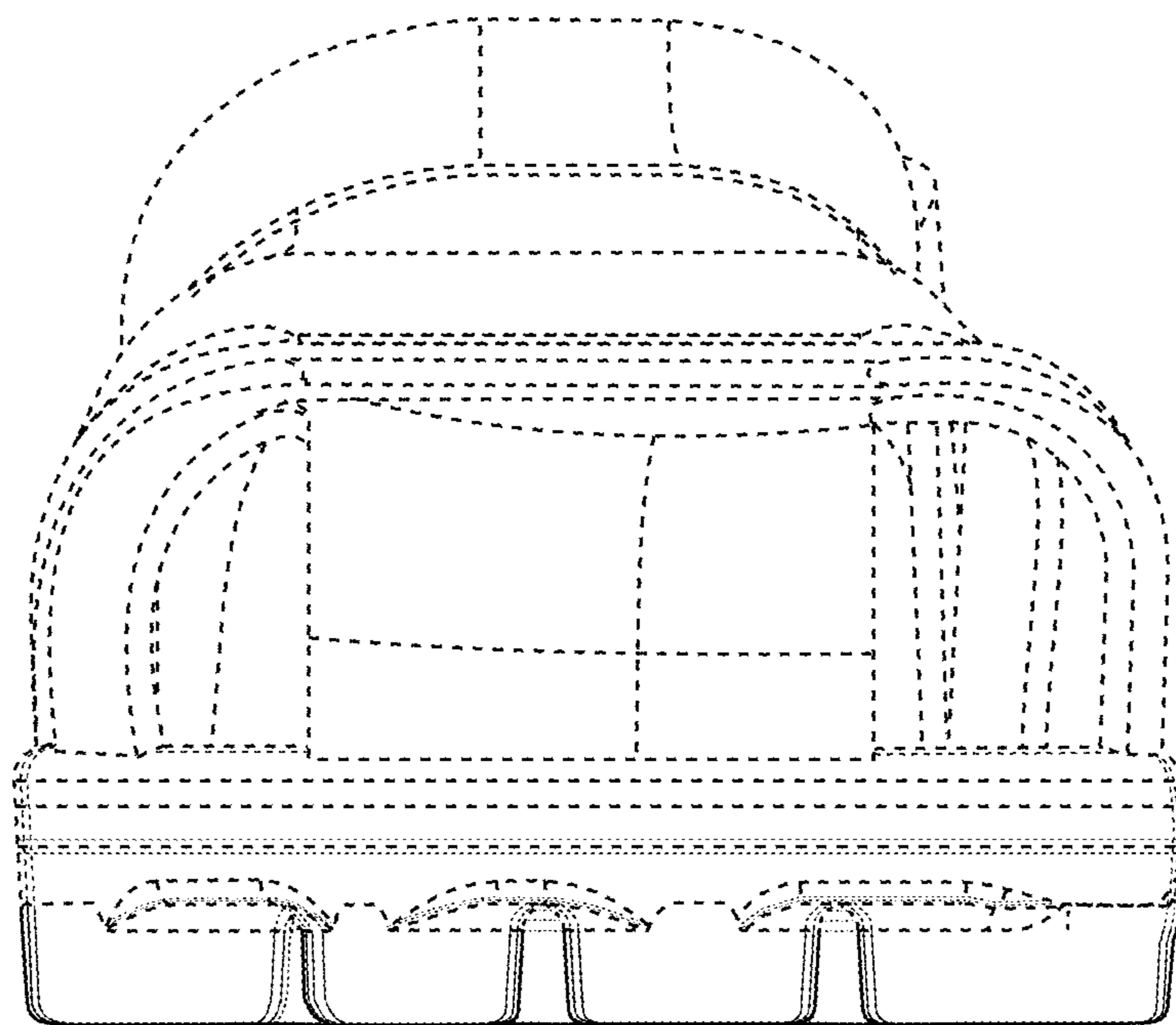


FIG. 2

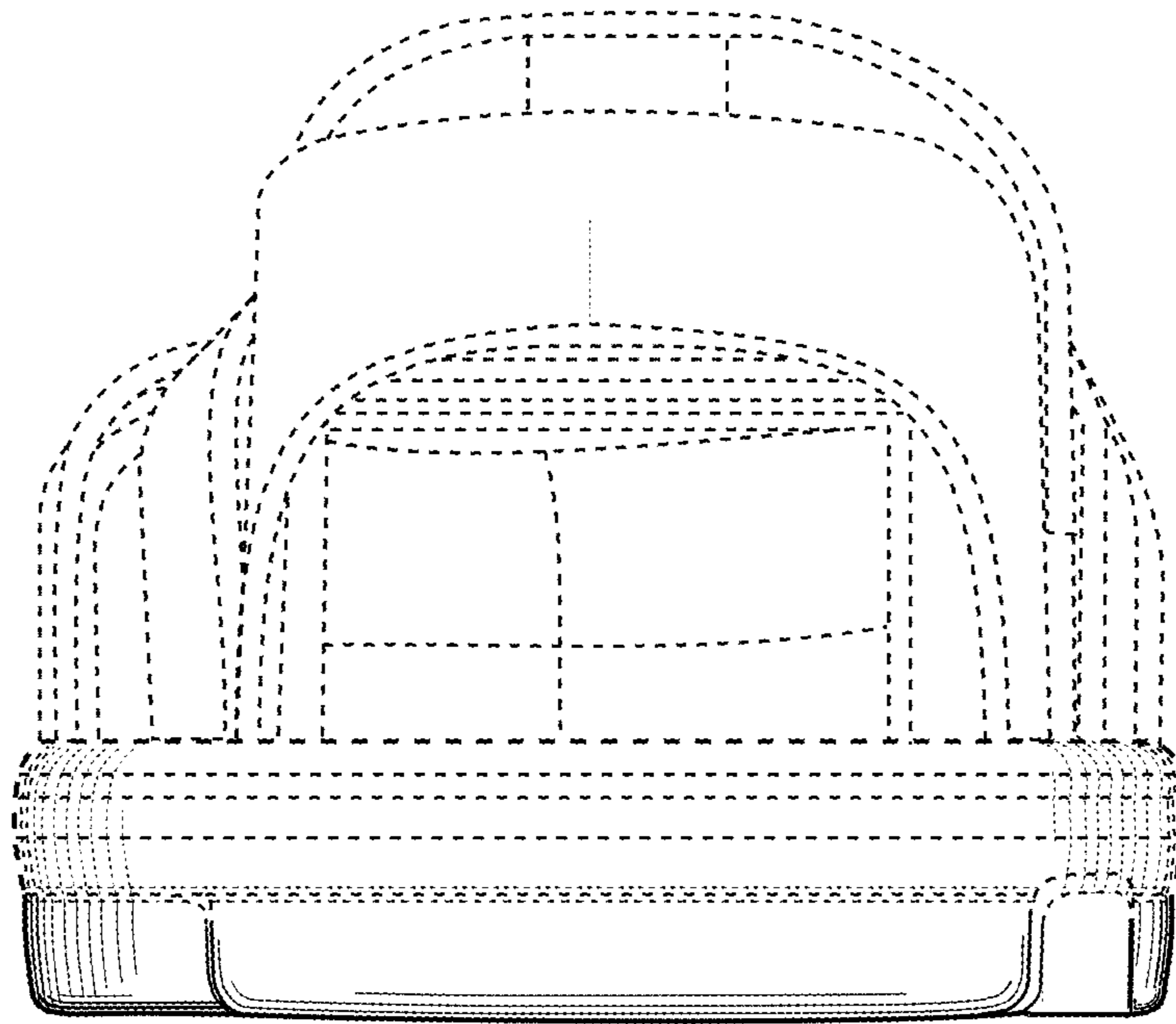


FIG. 3

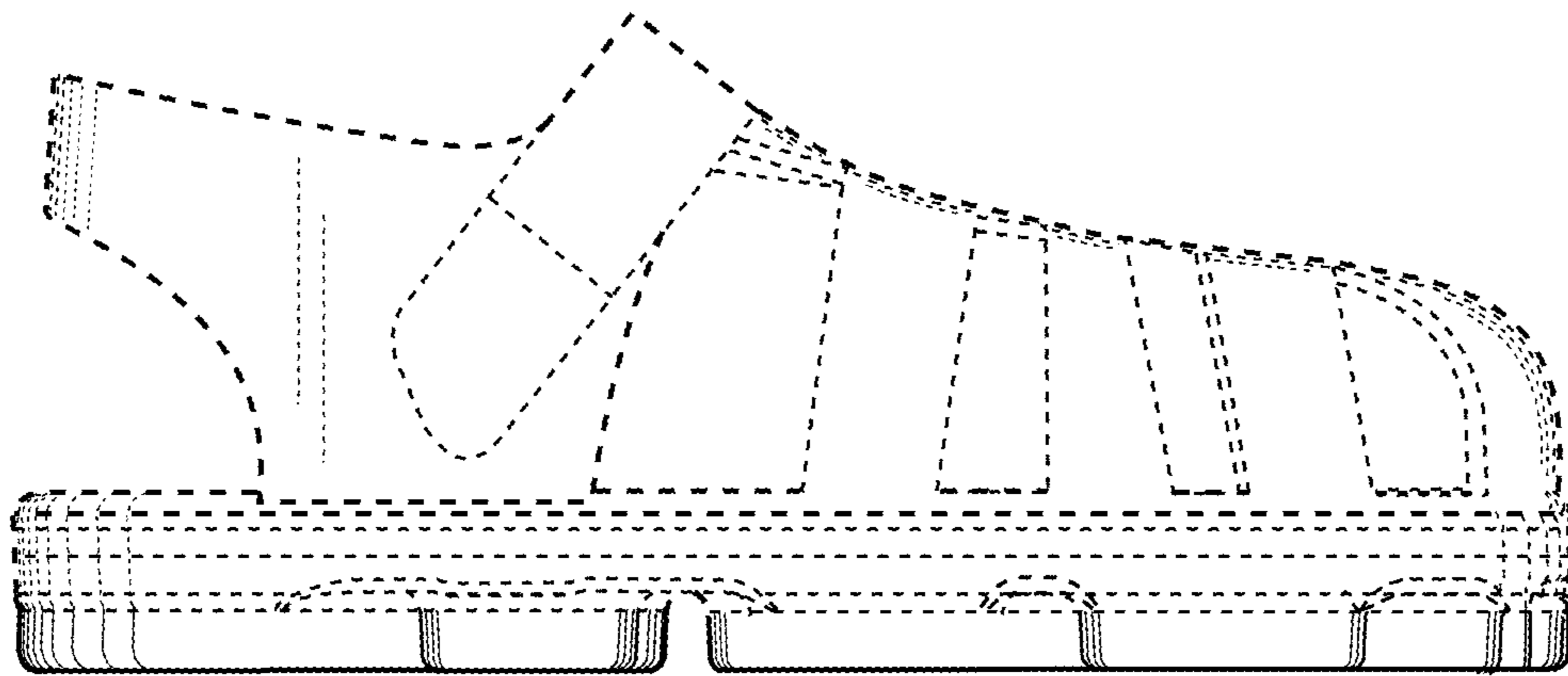


FIG. 4

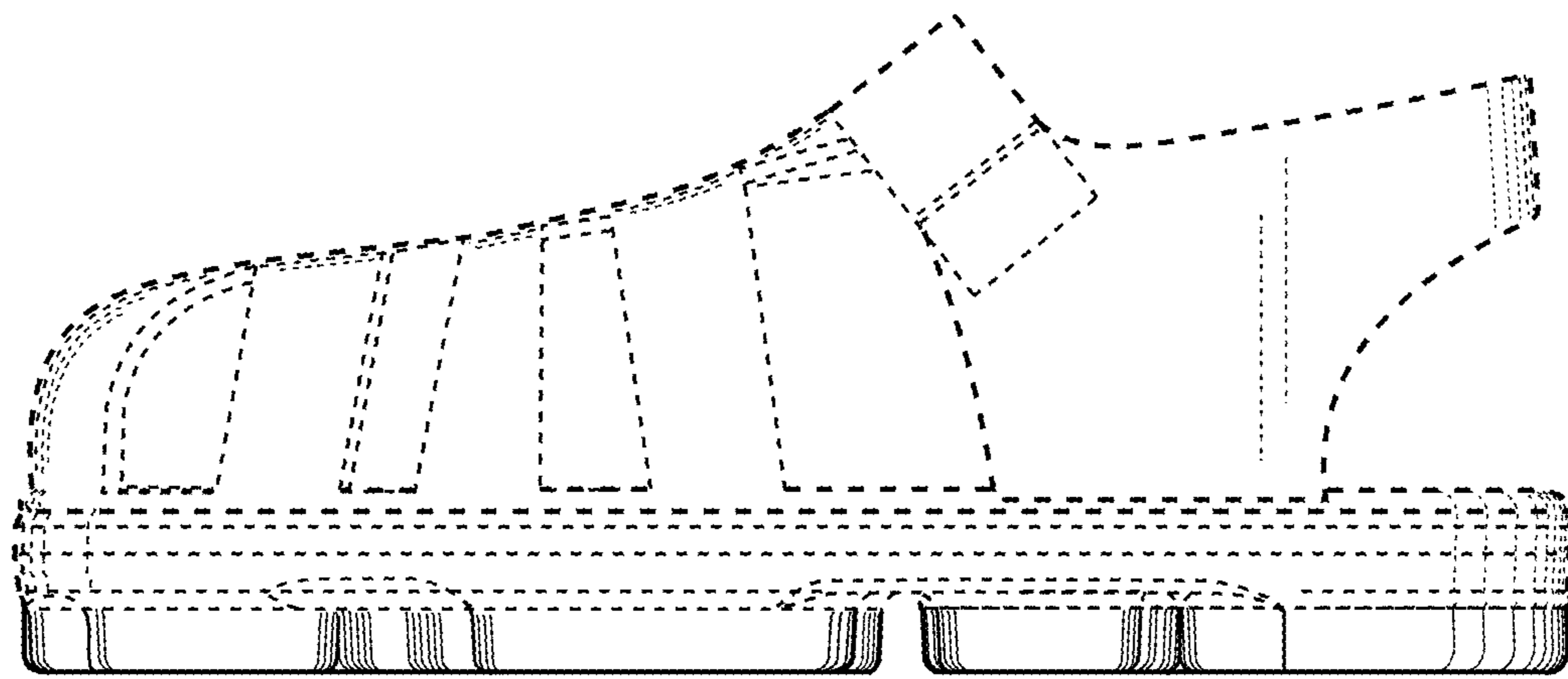


FIG. 5

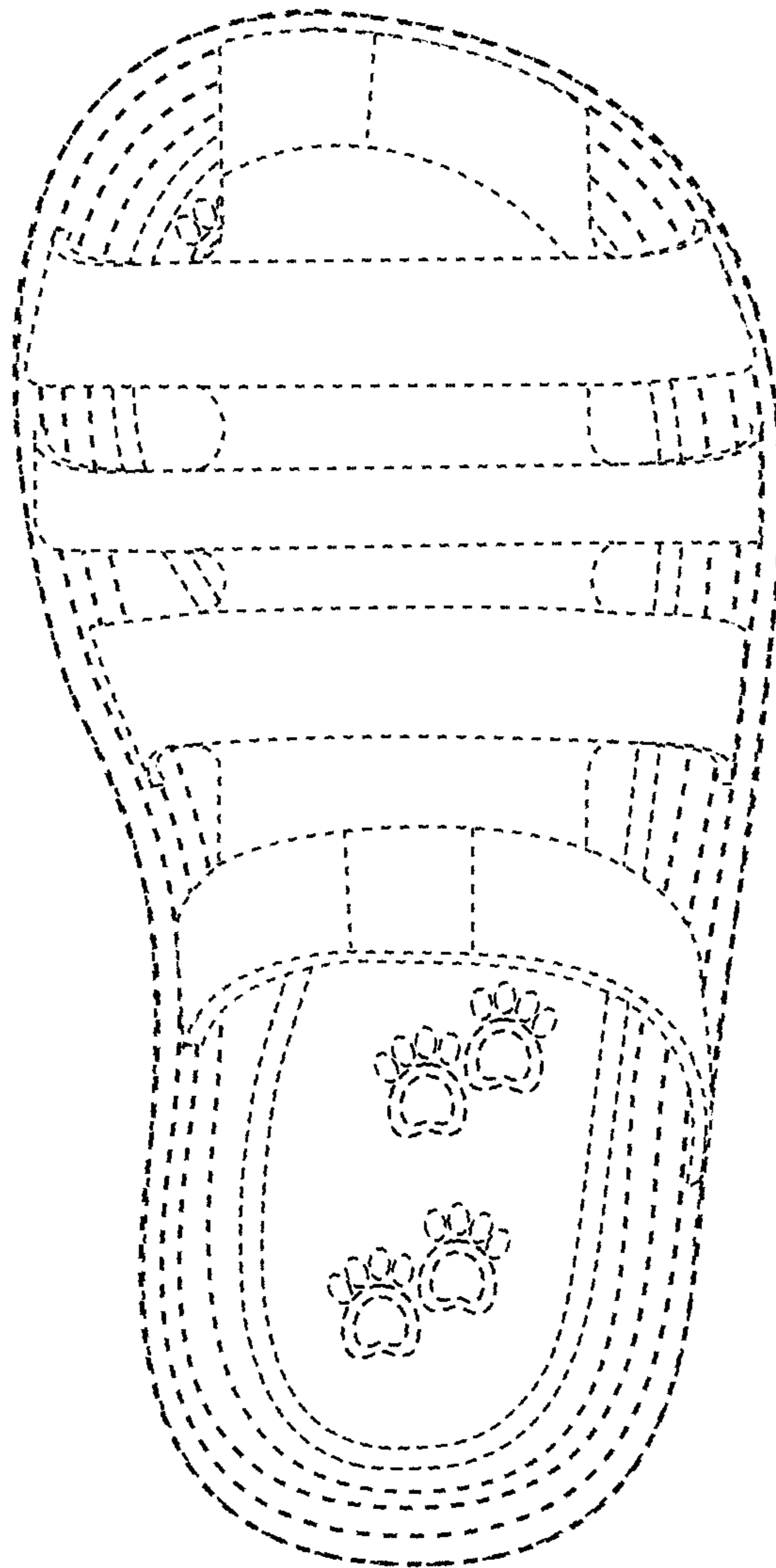


FIG. 6

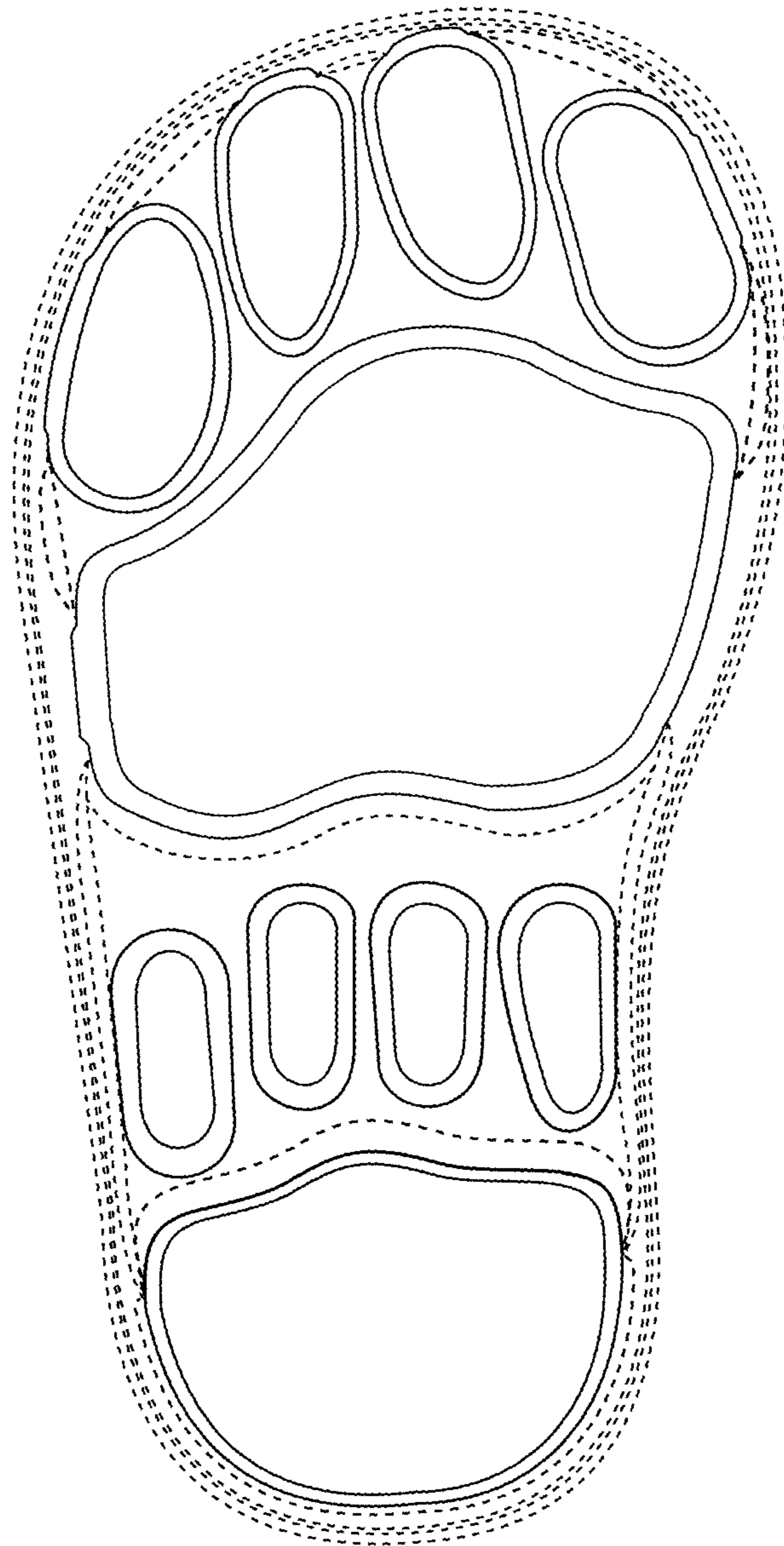


FIG. 7

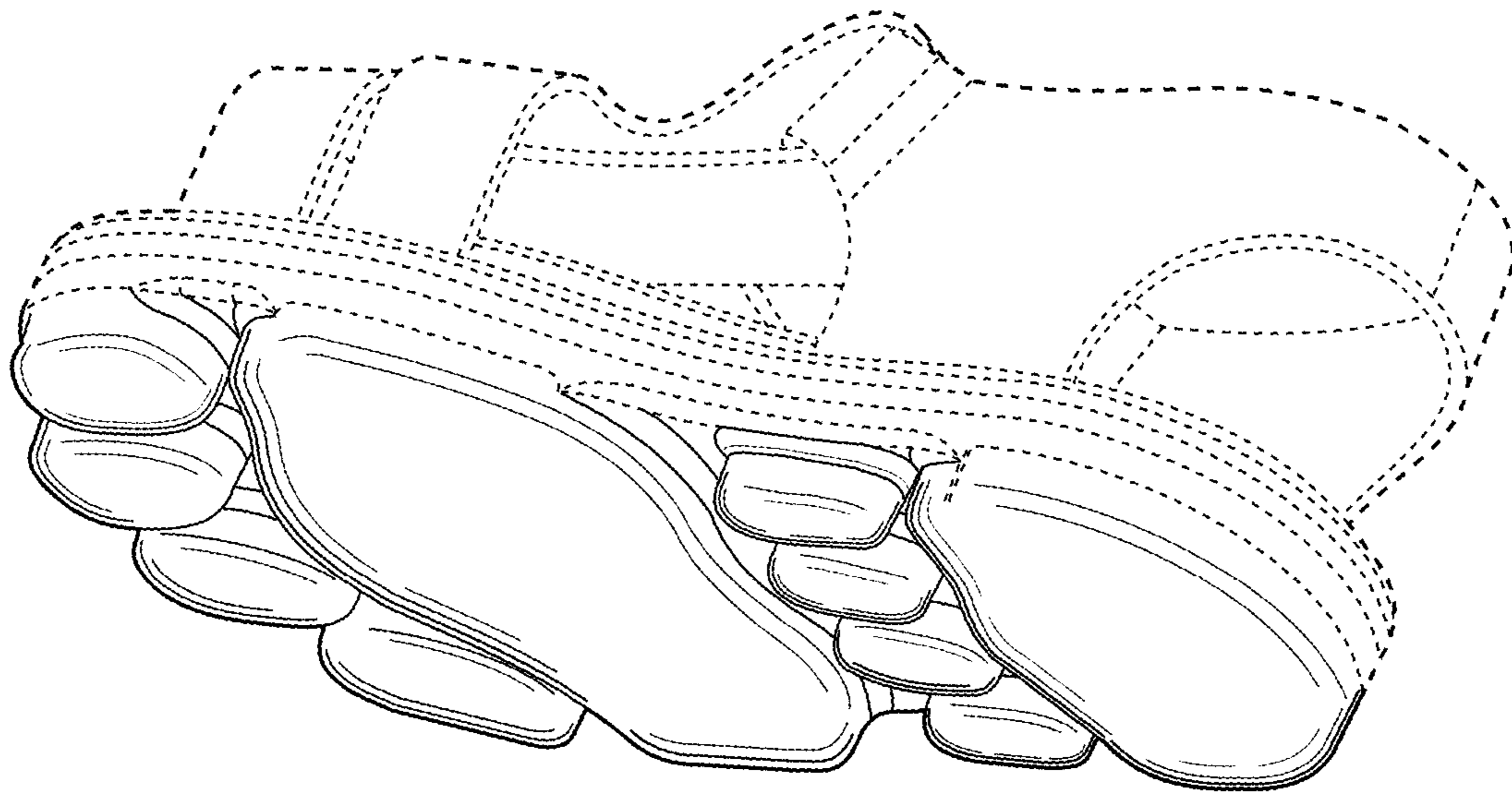


FIG. 8