



US00D774726S

(12) **United States Design Patent** (10) **Patent No.:** **US D774,726 S**
Kuna (45) **Date of Patent:** **** Dec. 27, 2016**

(54) **BUTTONER**
(71) Applicant: **Joseph Kuna**, Alexandria, VA (US)
(72) Inventor: **Joseph Kuna**, Alexandria, VA (US)
(**) Term: **15 Years**
(21) Appl. No.: **29/529,371**
(22) Filed: **Jun. 5, 2015**
(51) **LOC (10) Cl.** **07-99**
(52) **U.S. Cl.**
USPC **D2/643**
(58) **Field of Classification Search**
USPC D2/641-643; D6/686; D20/33; D32/59;
D12/119; D11/221
CPC A44B 99/005; A47G 25/80; A47G 25/82;
A47G 25/84; A47G 25/845; A47G 25/86;
A47G 25/904; A47G 25/907; A47G
25/92; A47F 8/00; A61G 7/1019; A61G
2200/36; A61G 2200/52
See application file for complete search history.

D435,328 S * 12/2000 Harris D11/221
D634,916 S * 3/2011 Peterson D2/641
2007/0119018 A1* 5/2007 Snyder A47G 25/92
16/8

OTHER PUBLICATIONS

Economy Button and Zipper Aid. Arthritis Supplies.com. Jan. 21, 2013. <<http://www.arthritisupplies.com/economy-button-and-zipper-aid.html>>. Apr. 26, 2016.*
Shirt Buttoner shown in "7 Gadgets to Help with Arthritis Challenges". The Ugleepen Blog. May 30, 2013. <<https://ugleepen.wordpress.com/2013/05/30/7-gadgets-to-help-with-arthritis-challenges/>>. Apr. 26, 2016.*
New Button Hook / Zipper Pull Disability Dressing Aid by Sigmobility, Amazon.co.uk. Nov. 2, 2012. <<http://www.amazon.co.uk/>>. Jul. 26, 2016.*

* cited by examiner

Primary Examiner — Celia Murphy
Assistant Examiner — Clare Ann Gannon
(74) *Attorney, Agent, or Firm* — Venable LLP; Jeffri A. Kaminski; Laura G. Remus

(56) **References Cited**

U.S. PATENT DOCUMENTS

322,284 A * 7/1885 Havell A47G 25/92
24/40
D16,766 S * 7/1886 Brittin 24/40
413,314 A * 10/1889 Betzel A47G 25/92
24/40
459,612 A * 9/1891 Hicks A47G 25/92
24/40
825,790 A * 7/1906 York A47G 25/92
24/40
5,347,688 A * 9/1994 Ross A47G 25/92
24/40

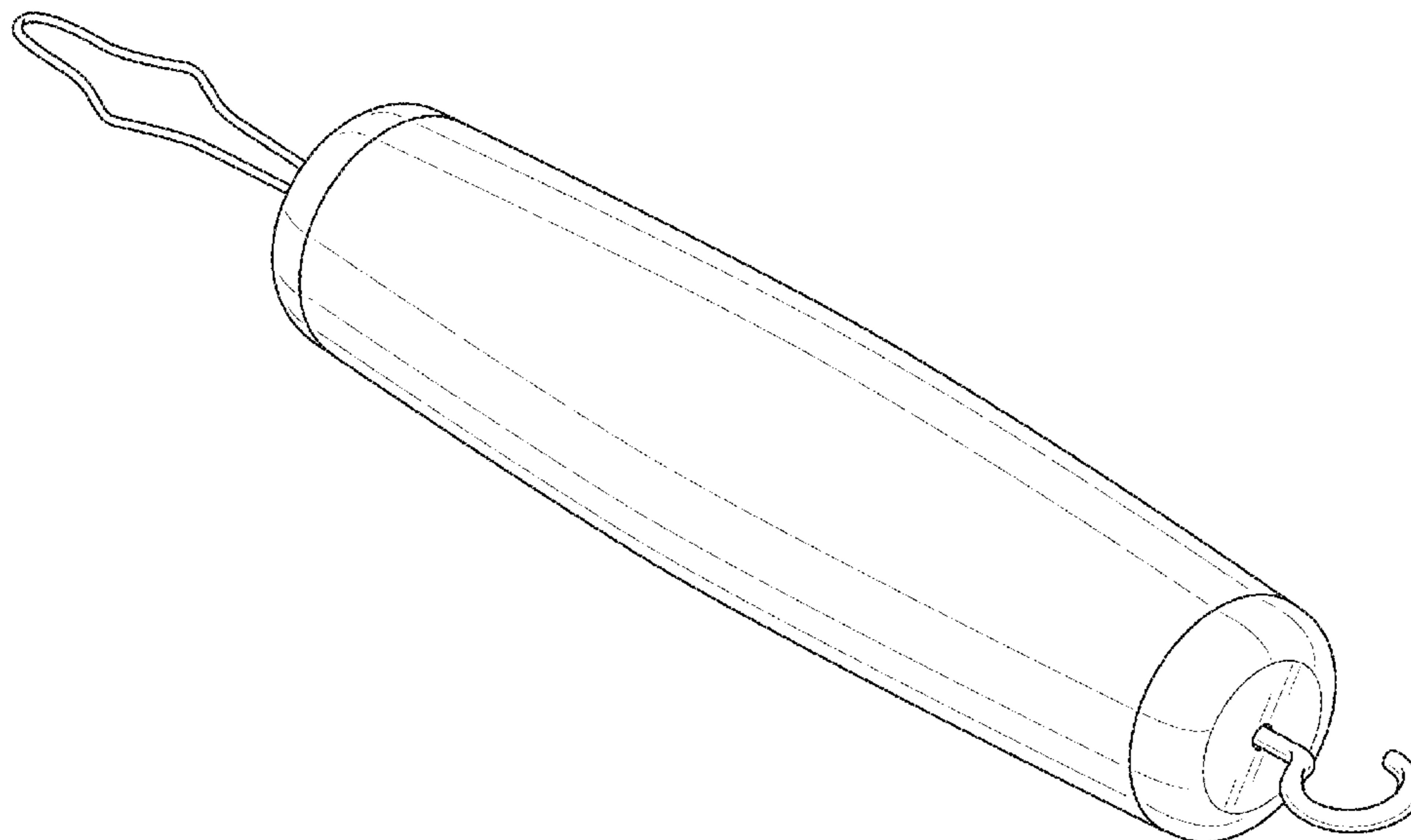
(57) **CLAIM**

The ornamental design for a buttoner, as shown and described.

DESCRIPTION

FIG. 1 is a perspective view of a buttoner showing my new design;
FIG. 2 is a top plan view thereof;
FIG. 3 is a left side elevational view thereof; and,
FIG. 4 is an enlarged front elevational view thereof.

1 Claim, 3 Drawing Sheets



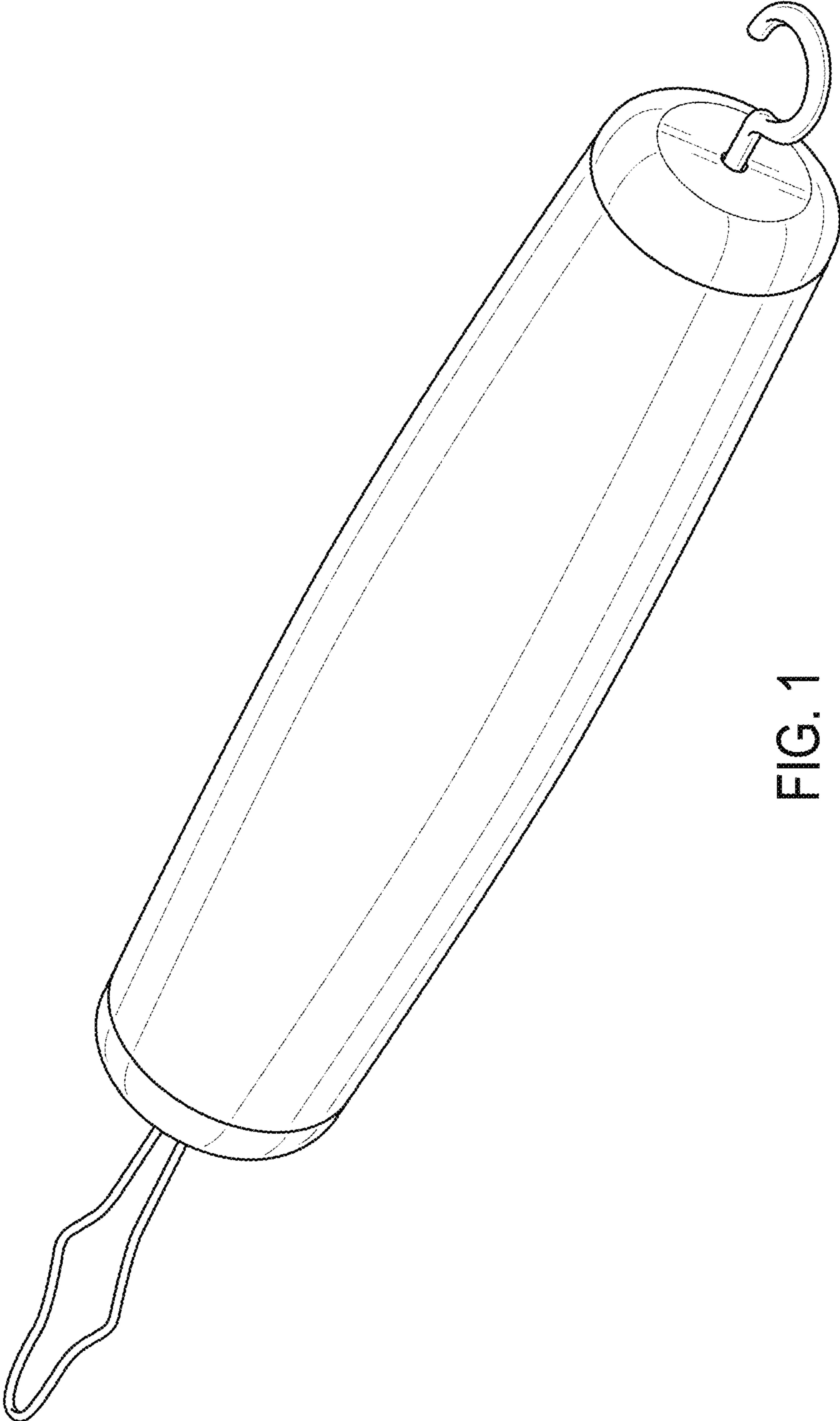


FIG. 1

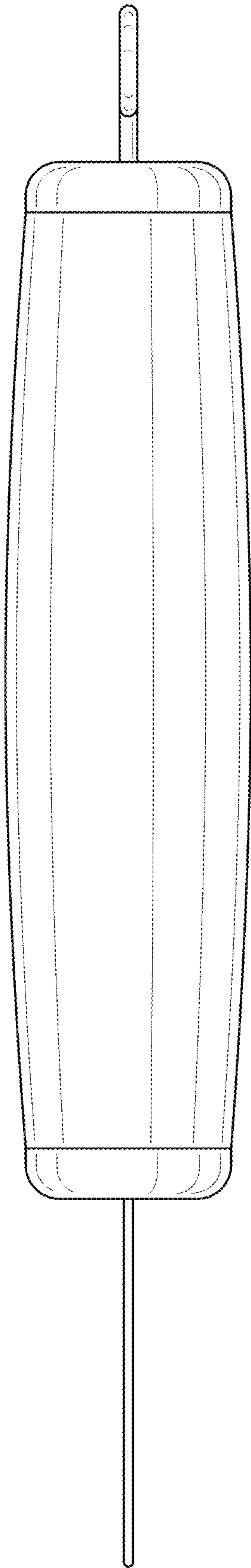


FIG. 2

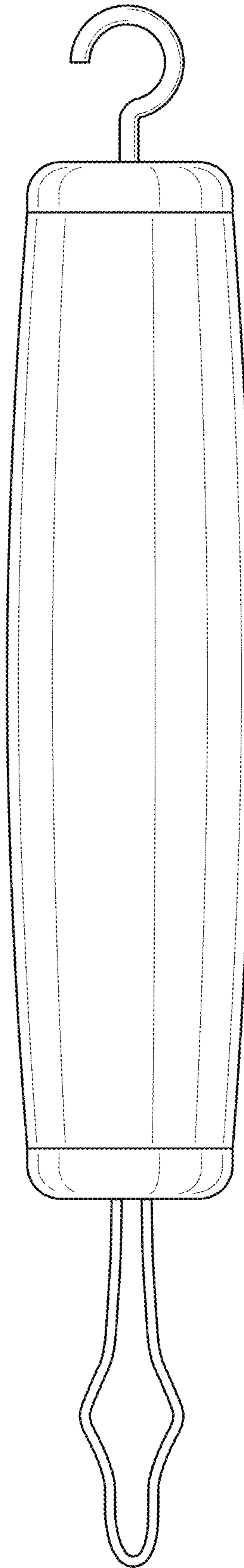


FIG. 3

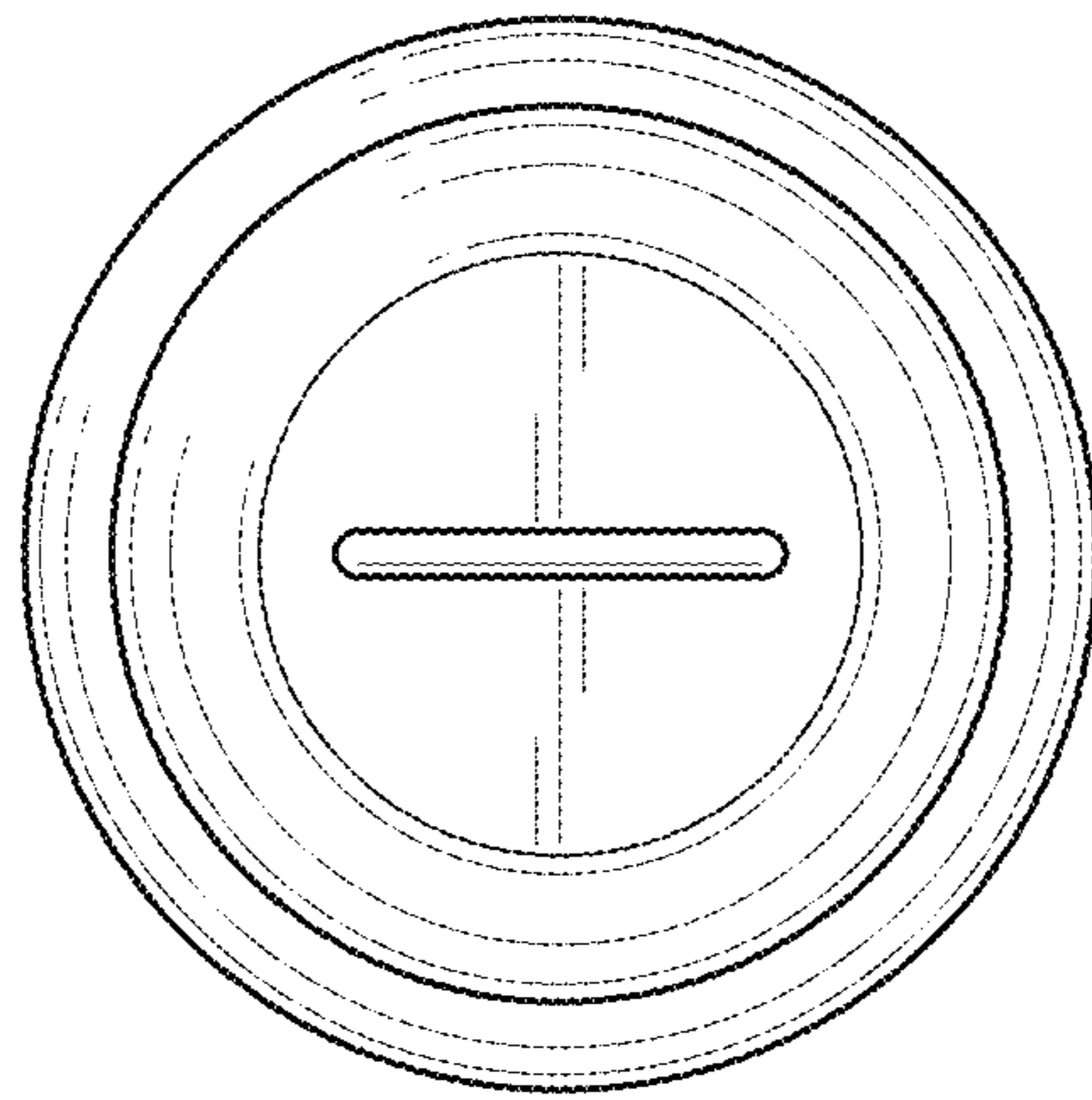


FIG. 4