



US00D774725S

(12) **United States Design Patent**  
**Goldman**

(10) **Patent No.:** **US D774,725 S**

(45) **Date of Patent:** **\*\* Dec. 27, 2016**

(54) **GLOVE TETHER**

(71) Applicant: **Ruth Goldman**, New York, NY (US)

(72) Inventor: **Ruth Goldman**, New York, NY (US)

(\*\*) Term: **14 Years**

(21) Appl. No.: **29/514,452**

(22) Filed: **Jan. 13, 2015**

(51) **LOC (10) Cl.** ..... **02-06**

(52) **U.S. Cl.**  
USPC ..... **D2/623**

(58) **Field of Classification Search**  
USPC .... D2/610, 623, 625, 626, 28; D3/222, 223,  
D3/226; D11/221; D16/300-334, 339;  
24/3.3, 24/3.7, 32, 66.1-66.13, 68;  
29/428; 224/665, 224/666, 669, 675  
CPC ..... A41D 19/0041; A41D 27/10; A41F 1/006  
See application file for complete search history.

(56) **References Cited**

**U.S. PATENT DOCUMENTS**

1,361,565	A	12/1920	Christy	
D114,018	S *	3/1939	Griffith	D2/624
D149,976	S *	6/1948	Sanford	D17/20
3,052,891	A *	9/1962	Panepinto	A41F 3/02
				2/301
3,179,109	A *	4/1965	Born	A41F 1/006
				450/83
D335,211	S *	5/1993	Hightower	D2/626
D399,986	S *	10/1998	Schultheis	D2/623
5,950,240	A	9/1999	Carpenter et al.	
D488,287	S *	4/2004	Berger	D2/624
D488,288	S *	4/2004	Eggers	D2/624
D519,261	S *	4/2006	Reis	D11/200

D562,527	S *	2/2008	Beck	D2/624
D587,433	S *	3/2009	Ratcliff	D11/16
D616,545	S *	5/2010	Burtch	D24/134
D619,781	S *	7/2010	Beaulieu	D2/706
D631,638	S *	2/2011	Jones	D2/706
D675,249	S *	1/2013	Giroux	D16/312
D735,443	S *	8/2015	Shahidi Bonjar	D2/623
2011/0265243	A1	11/2011	Kaplan	

\* cited by examiner

*Primary Examiner* — Rosemary K Tarcza

*Assistant Examiner* — Clint A Samuel

(74) *Attorney, Agent, or Firm* — BKDowd Law PC;  
Betsy Kingsbury Dowd

(57) **CLAIM**

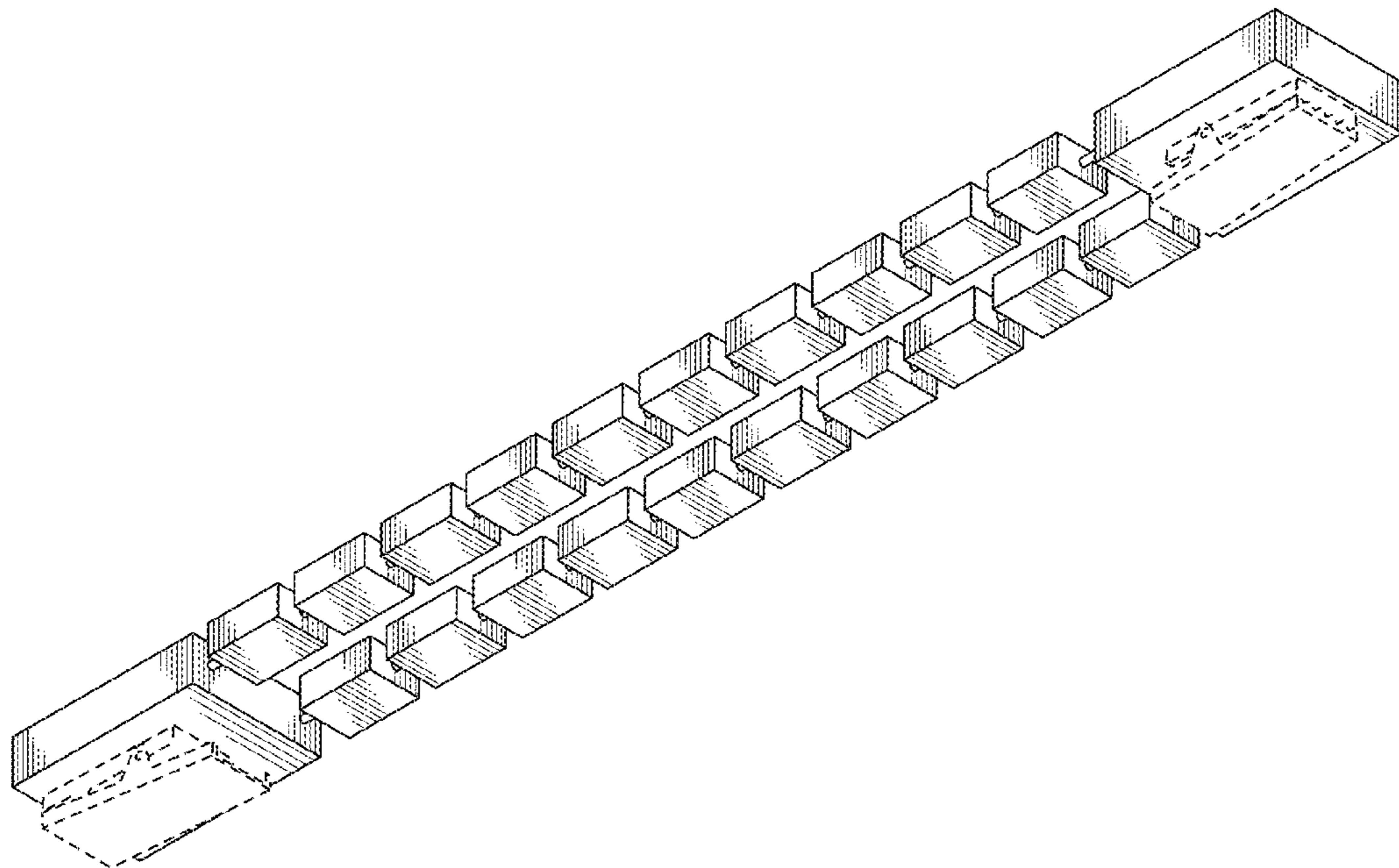
The ornamental design for a glove tether, as shown and described.

**DESCRIPTION**

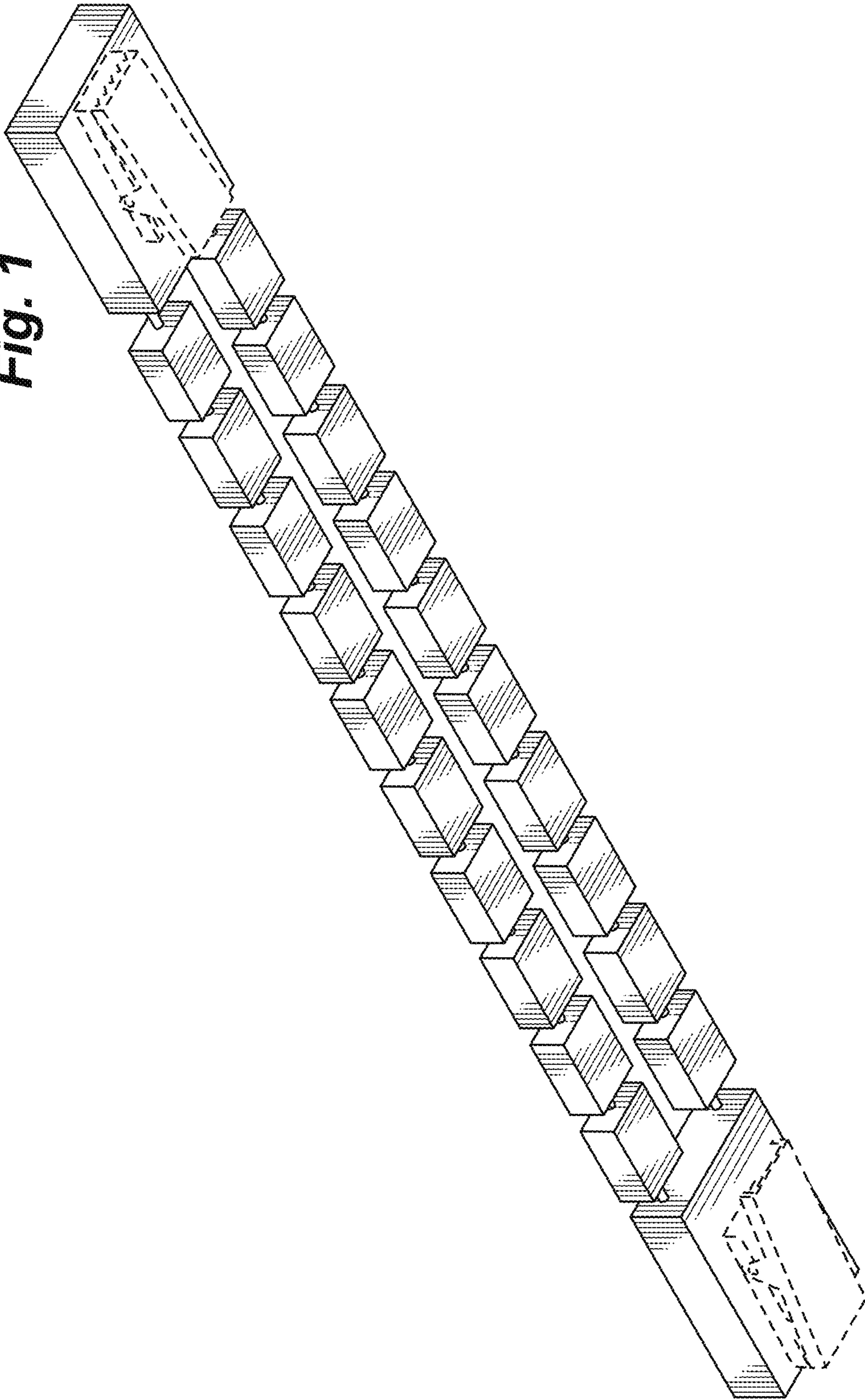
FIG. 1 is a bottom, front end, left side perspective view of a glove tether depicting my new design; FIG. 2 is a top view thereof; FIG. 3 is a right side view thereof; FIG. 4 is a bottom view thereof; FIG. 5 is a left side view thereof; FIG. 6 is a front end view thereof; FIG. 7 is a rear end view thereof; and, FIG. 8 is a top, rear end, left side perspective view thereof, shown in use, with a glove and garment shown in broken lines.

The broken lines shown in drawings are included for the purpose of illustrating unclaimed portions of the glove tether and environmental structure, and form no part of the claimed design.

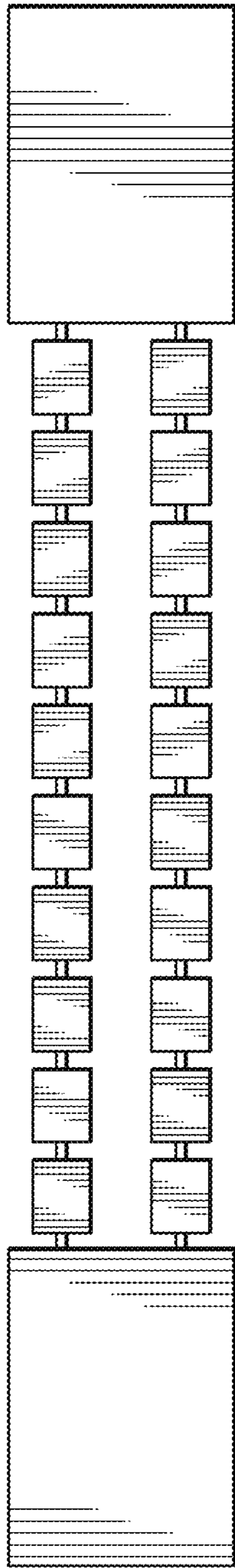
**1 Claim, 4 Drawing Sheets**



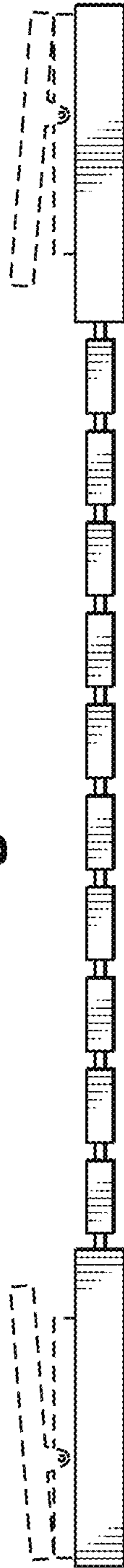
**Fig. 1**



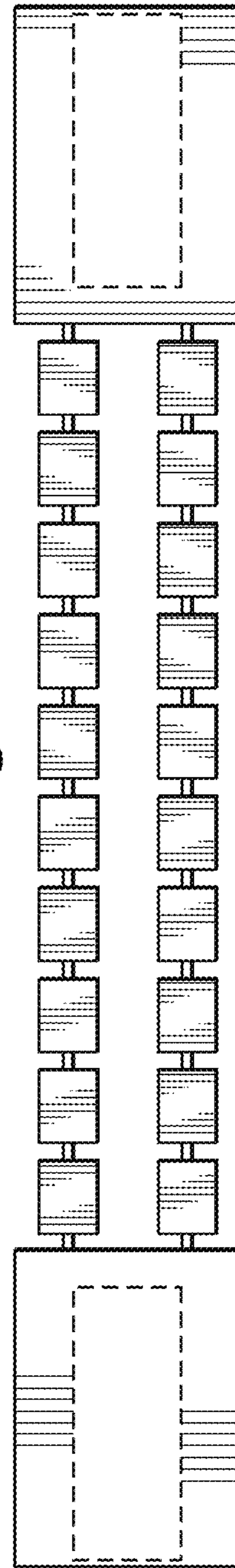
*Fig. 2*



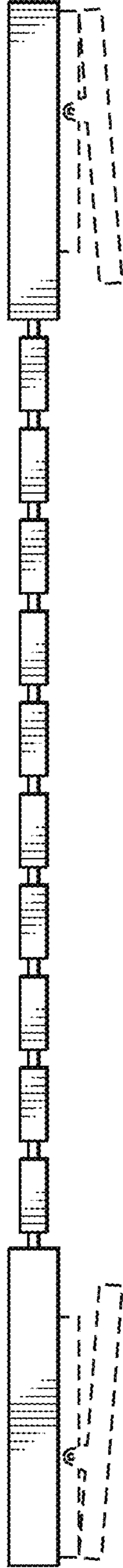
*Fig. 3*



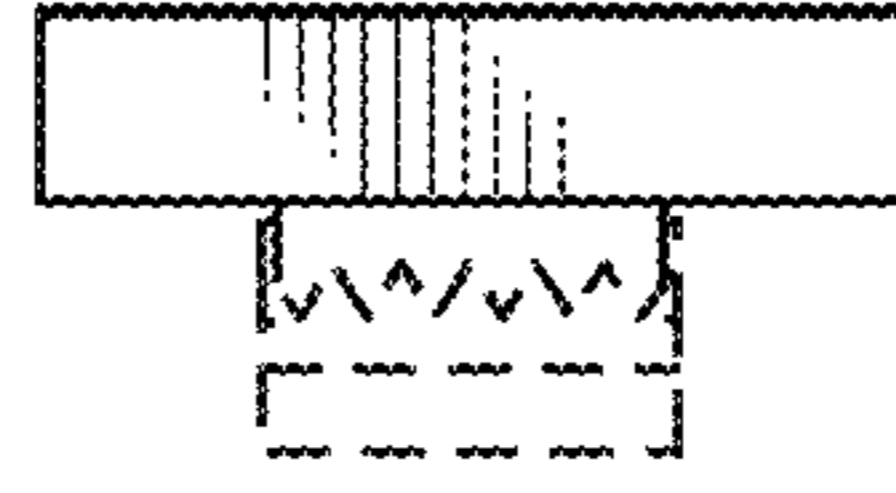
*Fig. 4*



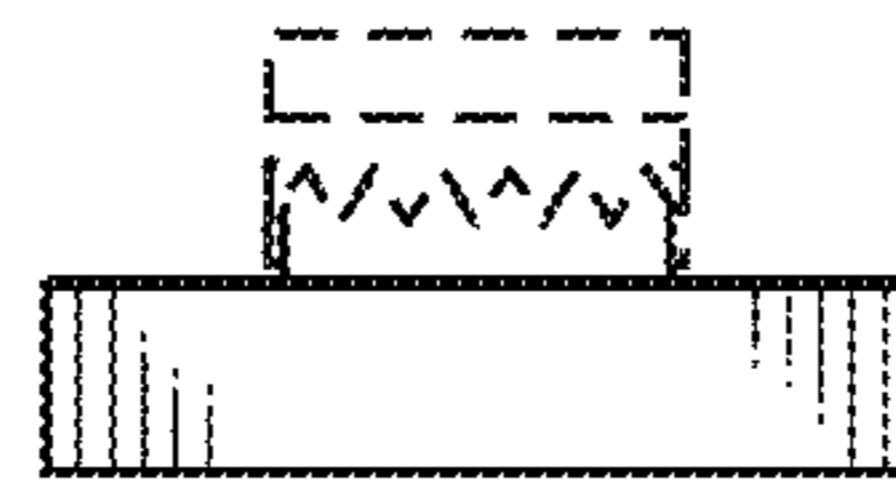
**Fig. 5**



**Fig. 7**



**Fig. 6**





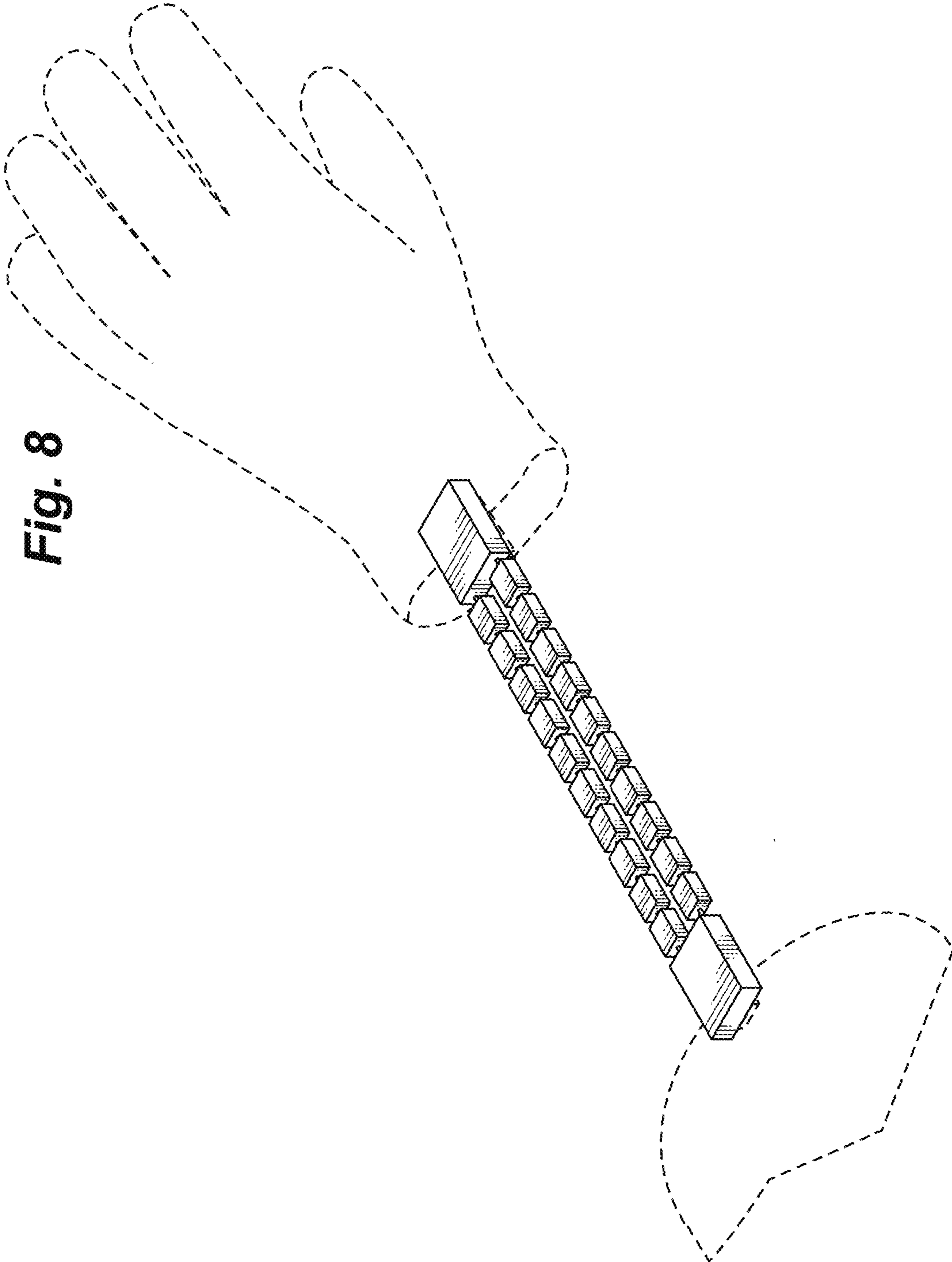


Fig. 8