



US00D774720S

(12) **United States Design Patent** (10) **Patent No.:** **US D774,720 S**  
**Wall** (45) **Date of Patent:** **\*\* Dec. 20, 2016**

(54) **DETACHABLE LINER ENGAGEMENT MEMBER FOR A TRASHCAN**

(71) Applicant: **Test Rite Products Corp.**, Ontario, CA (US)

(72) Inventor: **Joseph Wall**, Thatcher, AZ (US)

(73) Assignee: **Test Rite Products Corp.**, Ontario, CA (US)

(\*\*) Term: **14 Years**

(21) Appl. No.: **29/514,435**

(22) Filed: **Jan. 13, 2015**

(51) **LOC (10) Cl.** ..... **09-09**

(52) **U.S. Cl.**  
USPC ..... **D34/10**

(58) **Field of Classification Search**  
USPC ..... D34/1-11; 220/908-913  
CPC ..... B65F 1/062; B65F 1/06; B65F 1/163;  
B65F 1/068; B65F 1/08; B65F 1/1607; B65F 1/1615; B65B 67/1227; B65B 67/12; B65B 67/1255  
See application file for complete search history.

(56) **References Cited**

U.S. PATENT DOCUMENTS

D303,305 S *	9/1989	Deacon	.....	D34/6
D310,745 S *	9/1990	Cross	.....	D34/6
4,997,149 A *	3/1991	Koch	.....	B65F 1/06 220/495.06
5,160,103 A *	11/1992	Breitenstein	.....	B65B 67/1227 248/100
5,314,151 A *	5/1994	Carter-Mann	.....	B65B 67/1227 248/100
5,535,914 A *	7/1996	Badalamenti	.....	B65F 1/06 220/495.1
D405,576 S *	2/1999	Rausch	.....	D34/1

D422,767 S *	4/2000	Presser	.....	D34/1
D448,133 S *	9/2001	Windle	.....	D34/1
D493,590 S *	7/2004	Chen	.....	D34/1
D523,604 S *	6/2006	Wiley	.....	D34/5
D566,365 S *	4/2008	Wentz	.....	D34/1
D581,122 S *	11/2008	Dukes	.....	D34/10
D585,618 S *	1/2009	Yang	.....	D34/1
D663,089 S *	7/2012	Legreca	.....	D34/1
D681,300 S *	4/2013	Hatcher	.....	D34/6
D684,741 S *	6/2013	Harris	.....	D34/1
D730,007 S *	5/2015	Machen	.....	D34/1
D732,783 S *	6/2015	MacArthur	.....	D34/1
D749,810 S *	2/2016	Charter	.....	D34/10
2004/0200938 A1 *	10/2004	Forlivio	.....	B65B 67/1227 248/213.2
2005/0258177 A1 *	11/2005	Woodson	.....	B65F 1/062 220/495.07

(Continued)

*Primary Examiner* — Cynthia Ramirez

(74) *Attorney, Agent, or Firm* — Treasure IP Group, LLC

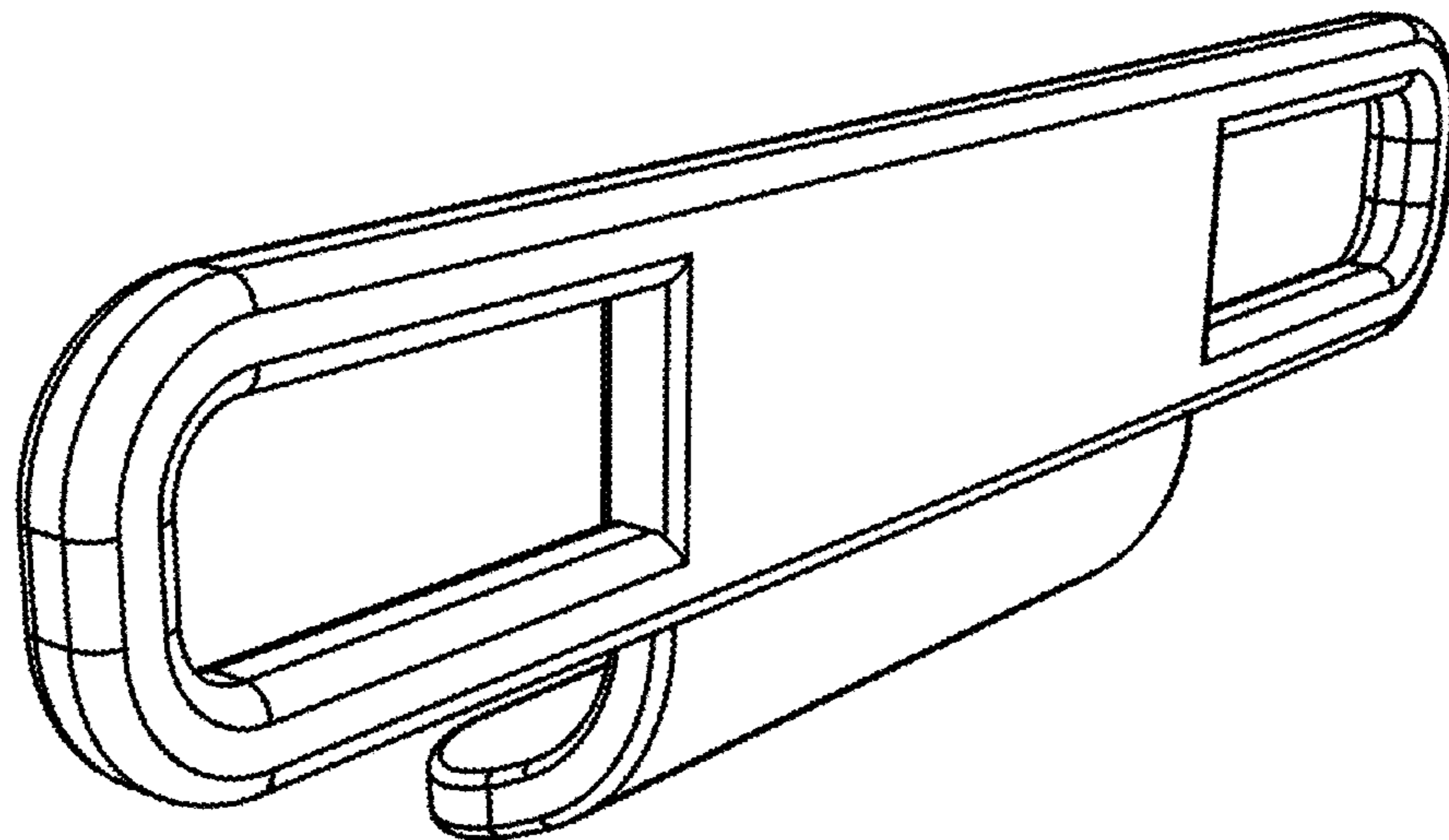
(57) **CLAIM**

The ornamental design for a detachable liner engagement member for a trashcan, as shown and described.

**DESCRIPTION**

FIG. 1 is a perspective view of a detachable liner engagement member for a trashcan showing my new design; FIG. 2 is a front view thereof; FIG. 3 is a rear view thereof; FIG. 4 is a left side view thereof; FIG. 5 is a right side view thereof; FIG. 6 is a top view thereof; and, FIG. 7 is another perspective view thereof. The broken line showing of a logo in FIG. 7 is included for the purpose of illustrating environment and forms no part of the claimed design.

**1 Claim, 7 Drawing Sheets**



(56)

**References Cited**

U.S. PATENT DOCUMENTS

2006/0056741 A1\* 3/2006 Yang ..... B65F 1/08  
383/33  
2015/0001224 A1\* 1/2015 Ingersoll ..... B65F 1/062  
220/495.07

\* cited by examiner

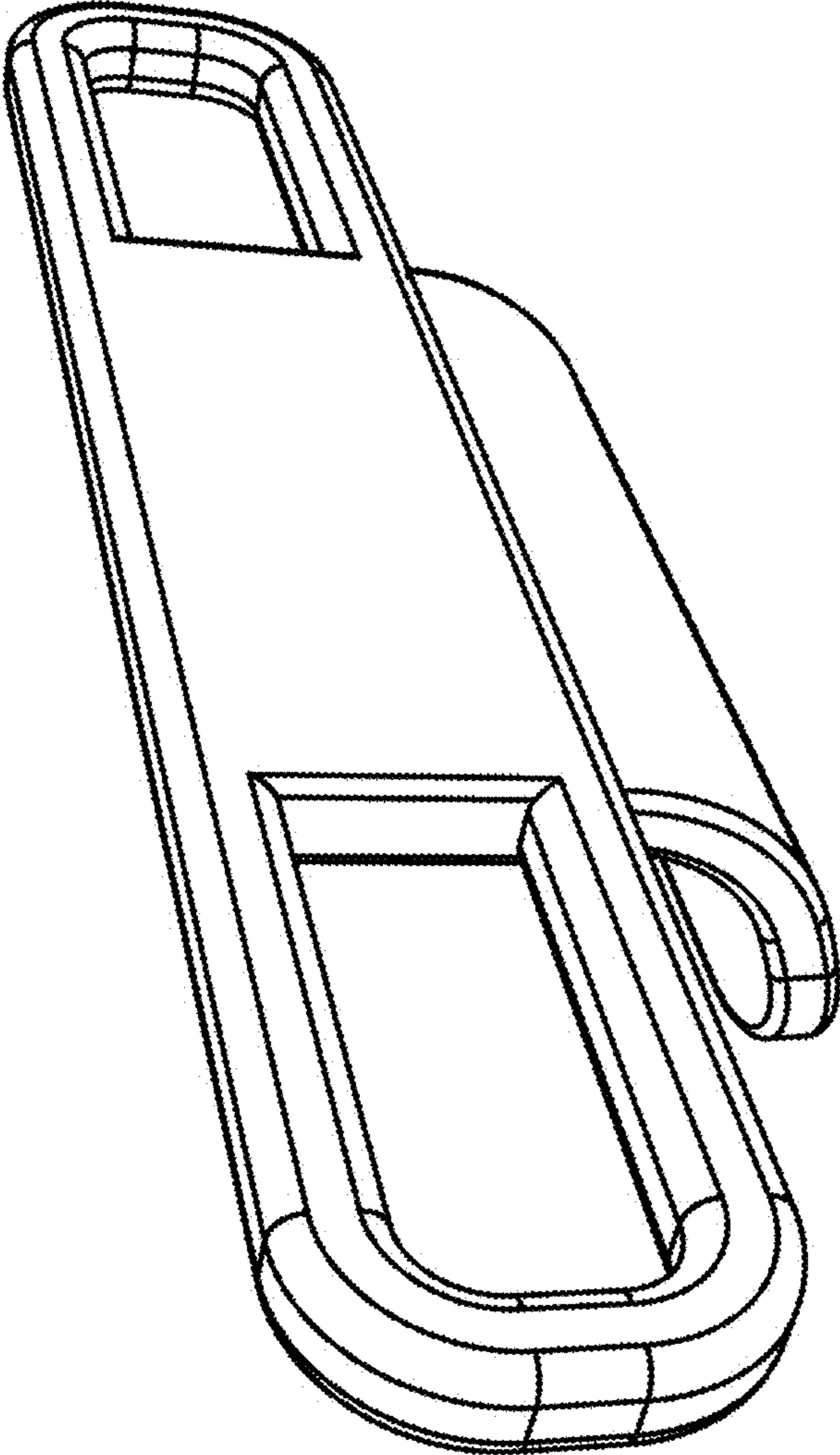


Fig. 1

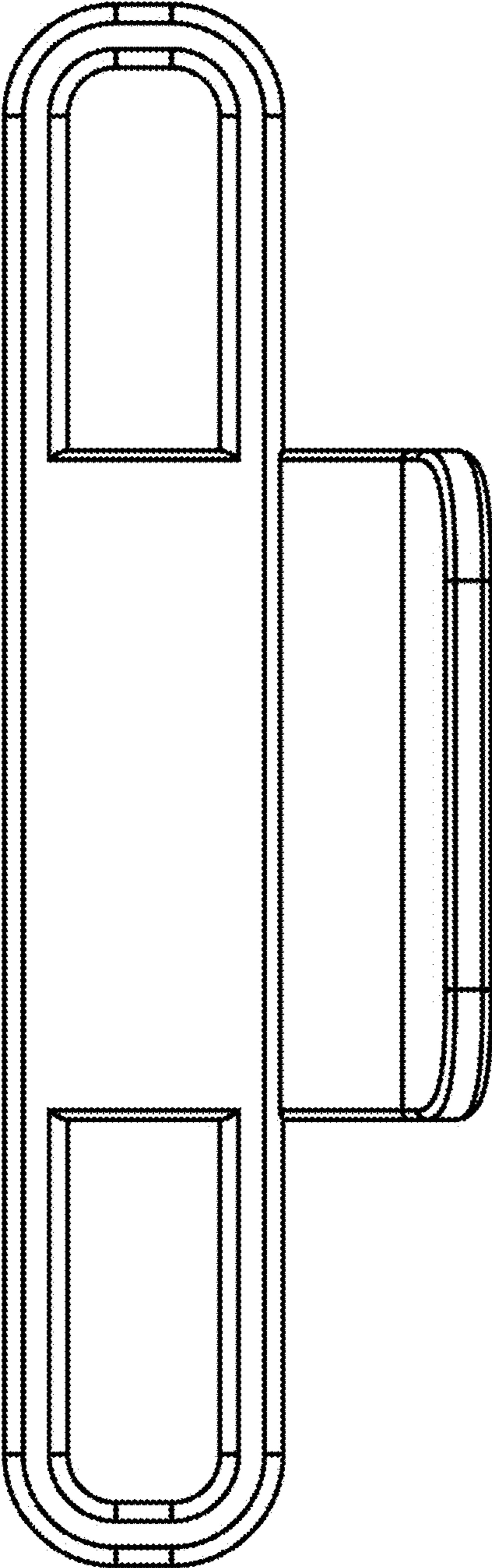


Fig. 2

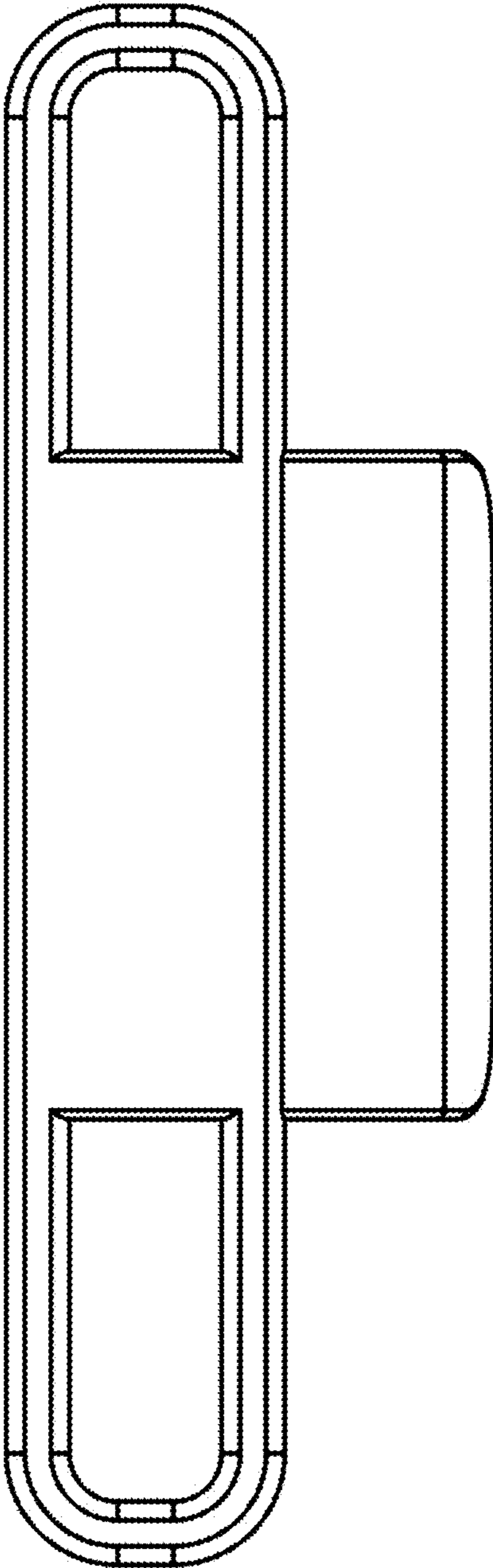


Fig. 3

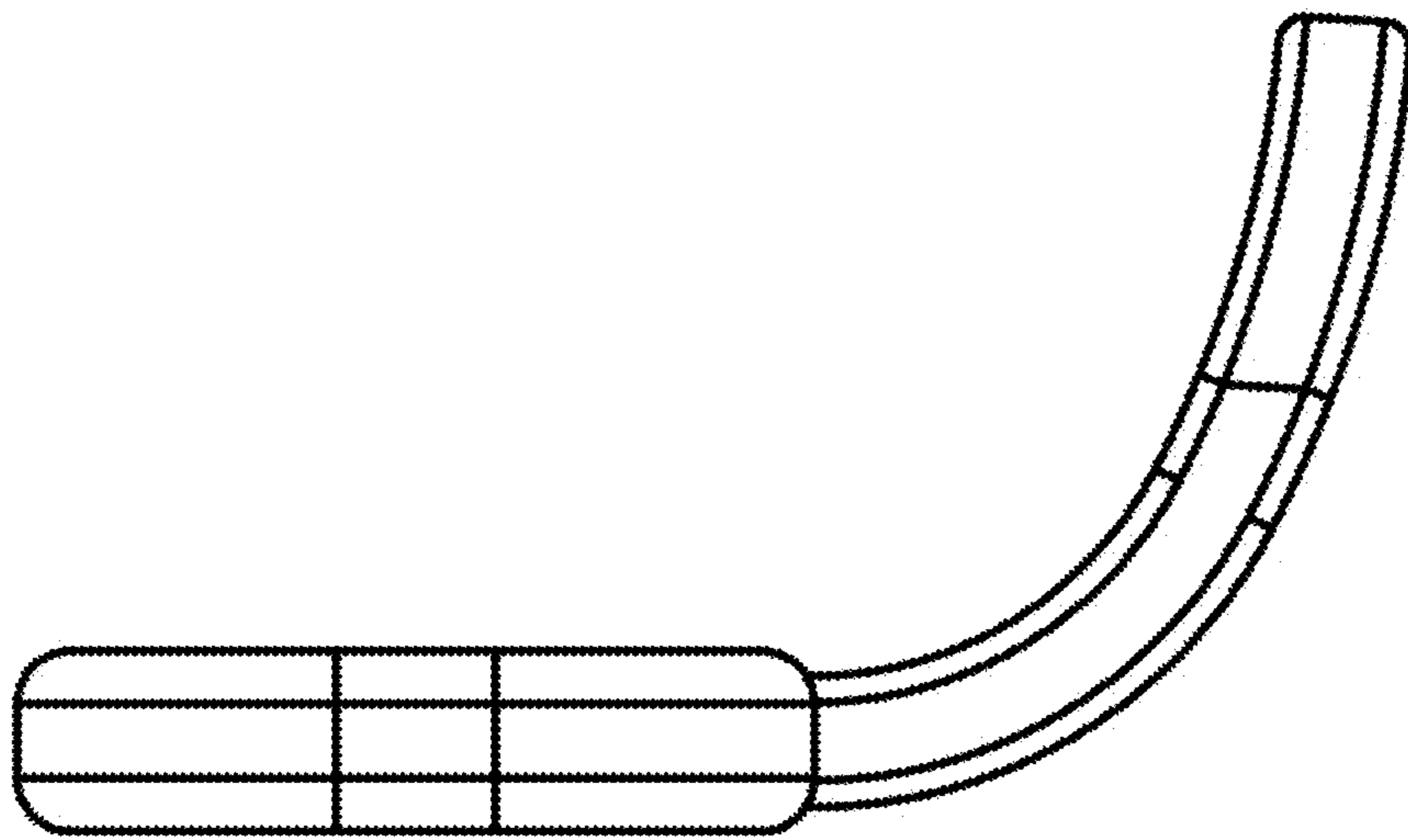


Fig. 4

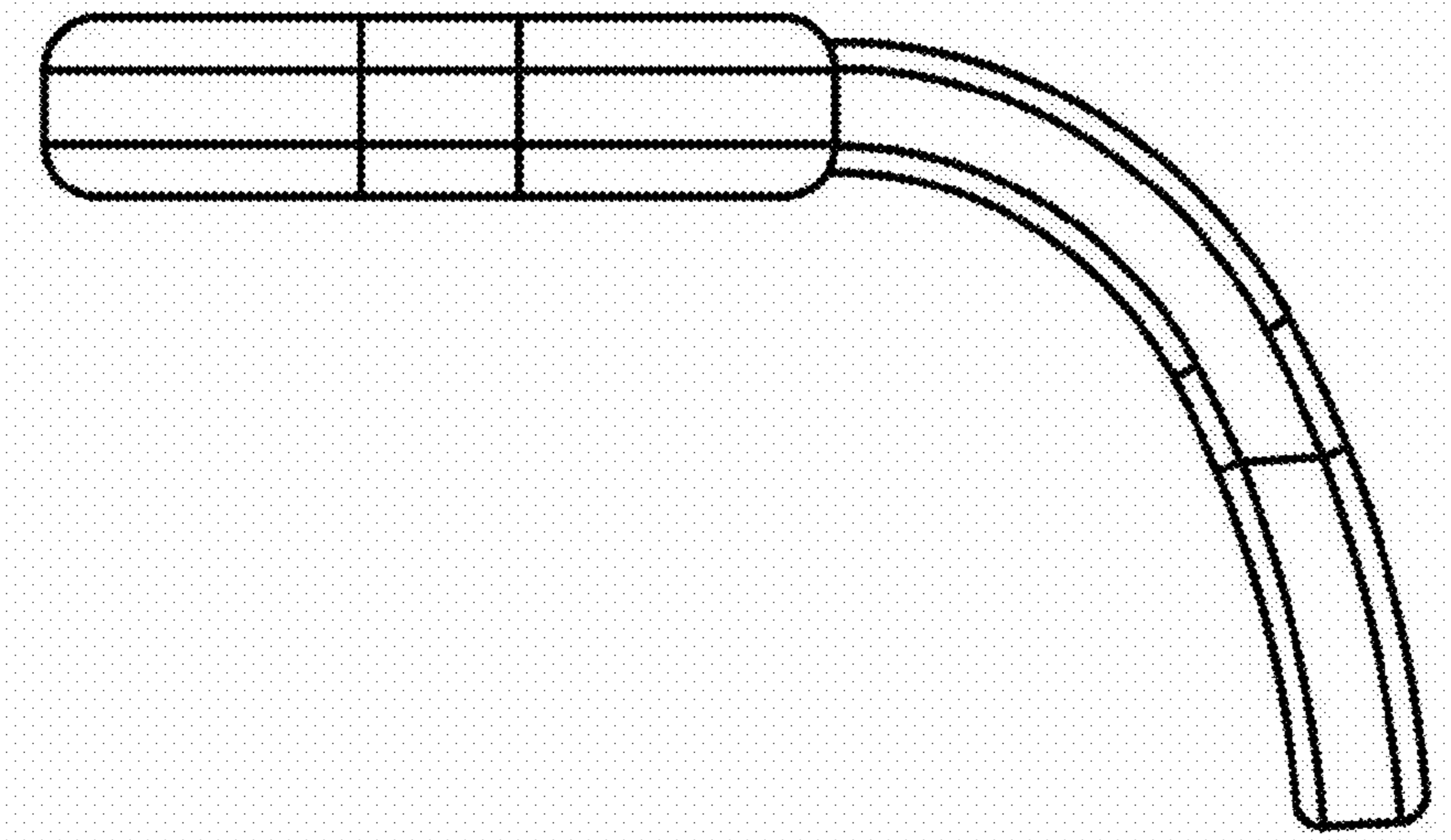


Fig. 5

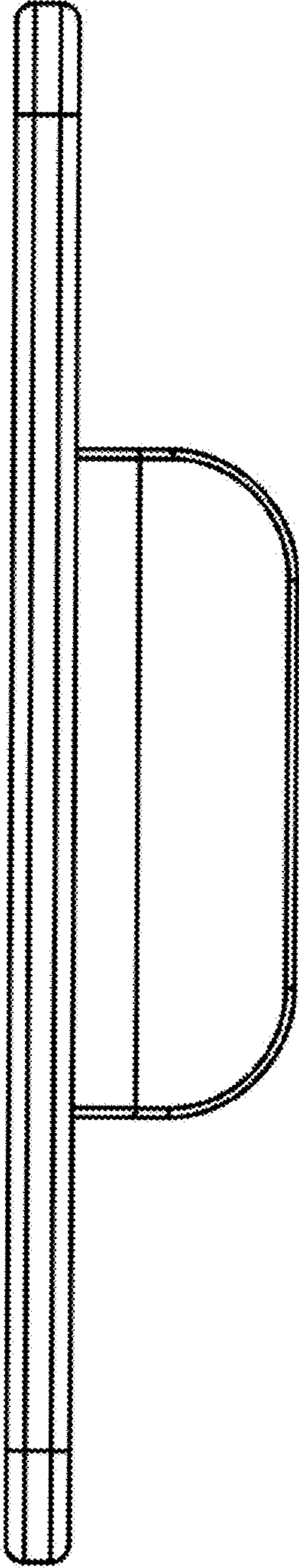


Fig. 6



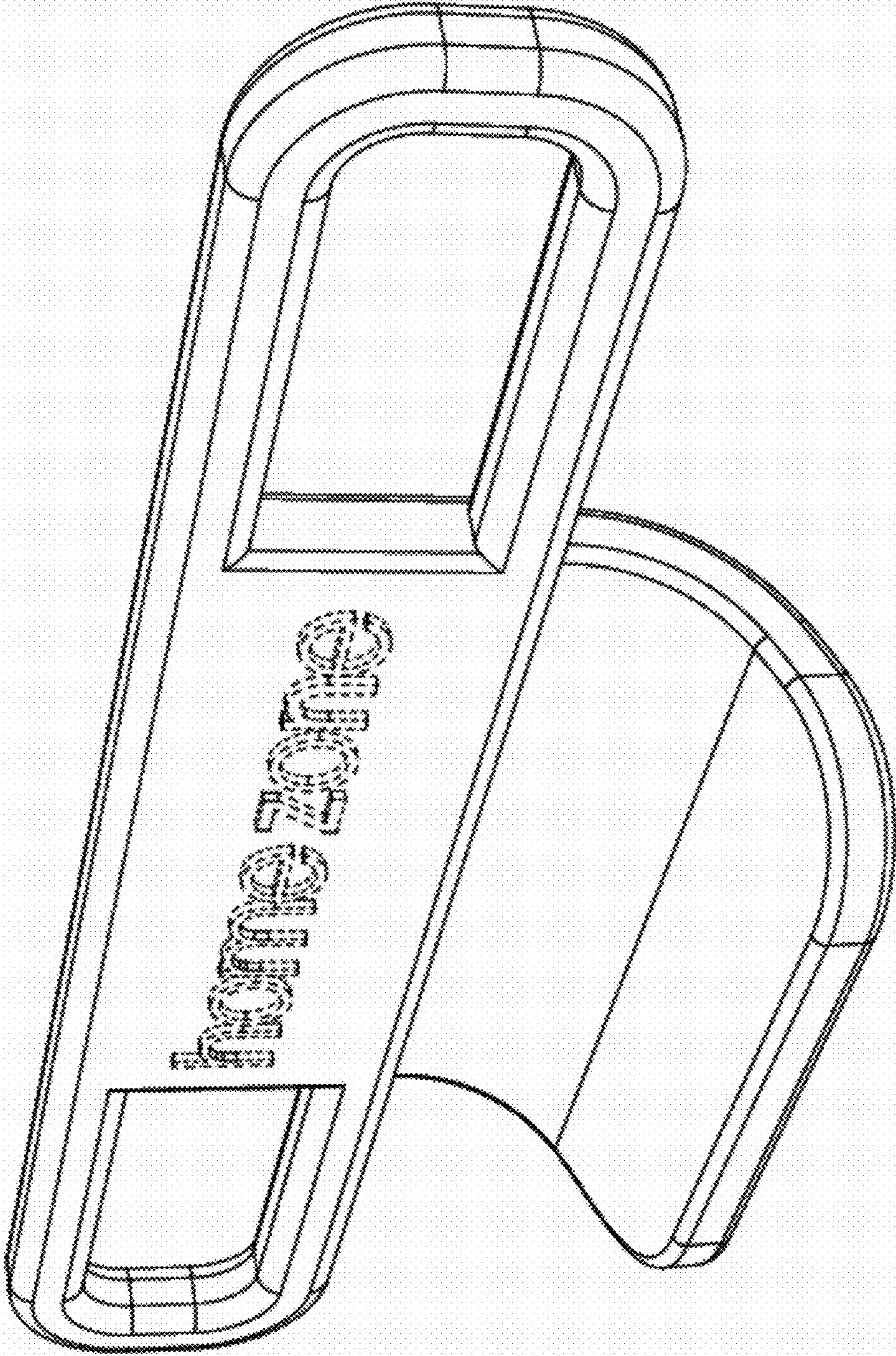


Fig. 7