



US00D774718S

(12) **United States Design Patent** (10) **Patent No.:** **US D774,718 S**
Kim (45) **Date of Patent:** **** Dec. 20, 2016**

(54) **WASHING MACHINE TUB**

(71) Applicant: **LG ELECTRONICS INC.**, Seoul (KR)

(72) Inventor: **Keunjoo Kim**, Seoul (KR)

(73) Assignee: **LG ELECTRONICS INC.**, Seoul (KR)

(**) Term: **15 Years**

(21) Appl. No.: **29/545,202**

(22) Filed: **Nov. 10, 2015**

(30) **Foreign Application Priority Data**

Jun. 19, 2015 (KR) 30-2015-0031139

(51) **LOC (10) Cl.** **15-05**

(52) **U.S. Cl.**

USPC **D32/29**

(58) **Field of Classification Search**

USPC ... D32/1-6, 8, 10, 25, 28, 29; 312/228, 236, 312/294; 68/3 R, 5 R, 235 R, 196, 212; 34/108, 34/130-132, 595-597; 8/137

CPC D06F 37/22; D06F 37/28; D06F 39/12; D06F 39/22; D06F 58/06; D06F 58/08

See application file for complete search history.

(56) **References Cited**

U.S. PATENT DOCUMENTS

9,096,965 B2* 8/2015 Hong D06F 37/02

2010/0206015 A1* 8/2010 Mancini D06F 37/26
68/3 R

2012/0089258 A1* 4/2012 Wong D06F 35/007
700/279

2014/0202217 A1* 7/2014 Hong D06F 37/02
68/140

2015/0020318 A1* 1/2015 Seo D06F 23/02
8/137

2015/0121972 A1* 5/2015 Kim D06F 39/12
68/3 R

2015/0123521 A1* 5/2015 Lee D06F 39/14
312/228

2015/0211167 A1* 7/2015 Kim D06F 31/00
68/140

2015/0211168 A1* 7/2015 Bonlender D06F 37/304
8/137

2015/0368850 A1* 12/2015 Seo D06F 39/083
68/3 R

2015/0376828 A1* 12/2015 Seo D06F 29/00
68/3 R

2016/0010882 A1* 1/2016 Lee F24F 3/1405
312/228

* cited by examiner

Primary Examiner — Rosemary K Tarcza
Assistant Examiner — Yolanda Robinson
 (74) *Attorney, Agent, or Firm* — Birch, Stewart, Kolasch & Birch, LLP

(57) **CLAIM**

I claim the ornamental design for a washing machine tub, as shown and described.

DESCRIPTION

FIG. 1 is a perspective view of washing machine tub showing my new design;
 FIG. 2 is a front elevation view thereof;
 FIG. 3 is a rear elevation view thereof;
 FIG. 4 is a left-side elevation view thereof;
 FIG. 5 is a right-side elevation view thereof;
 FIG. 6 is a top plan view thereof; and
 FIG. 7 is a bottom plan view thereof; and
 FIG. 8 is an exploded perspective view thereof; and,
 FIG. 9 is a perspective view showing an illustration of use thereof.

The dash-dot broken lines represent unclaimed portions of the washing machine tub and form no part of the claimed design.

1 Claim, 6 Drawing Sheets

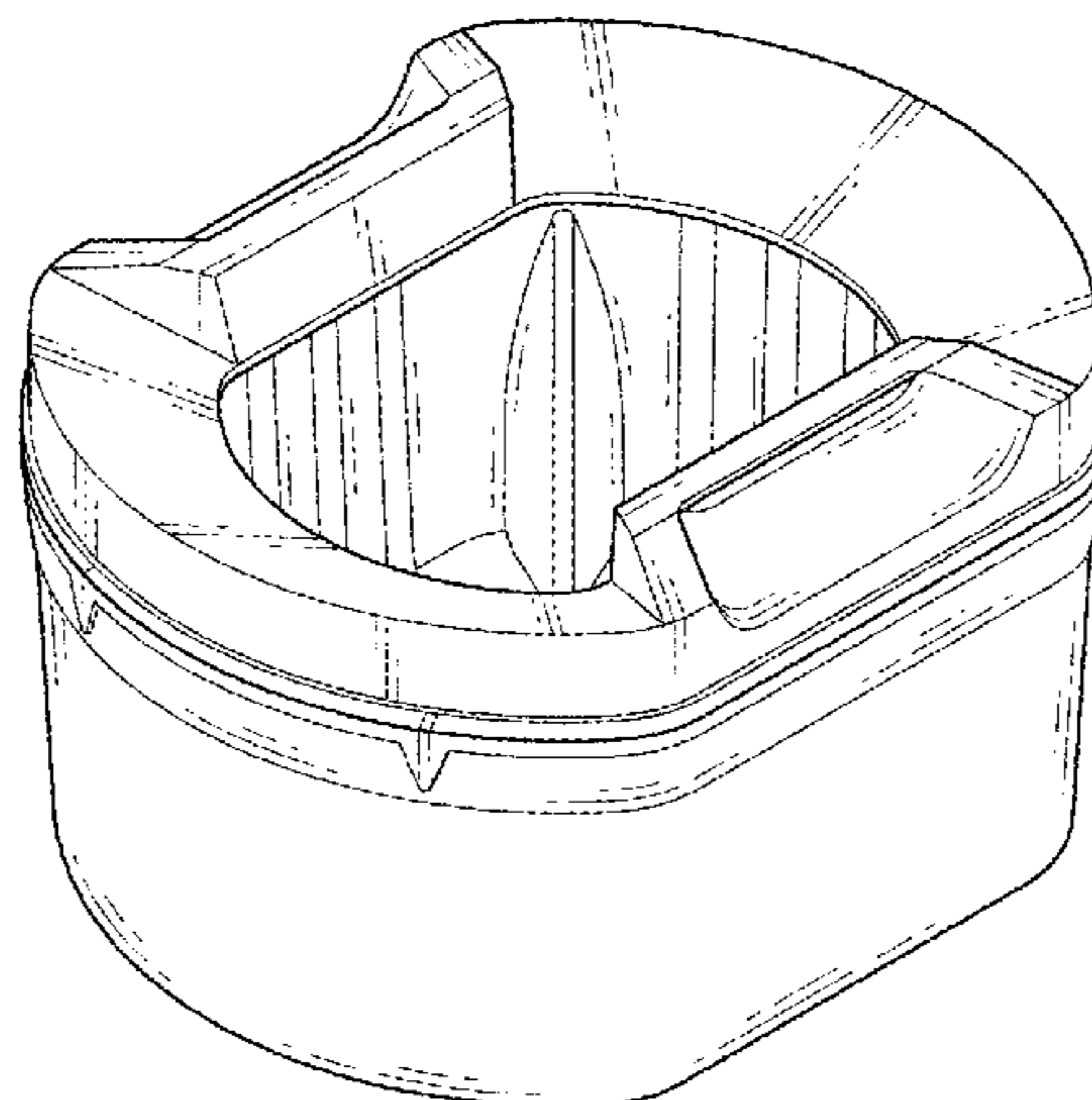


FIG. 1

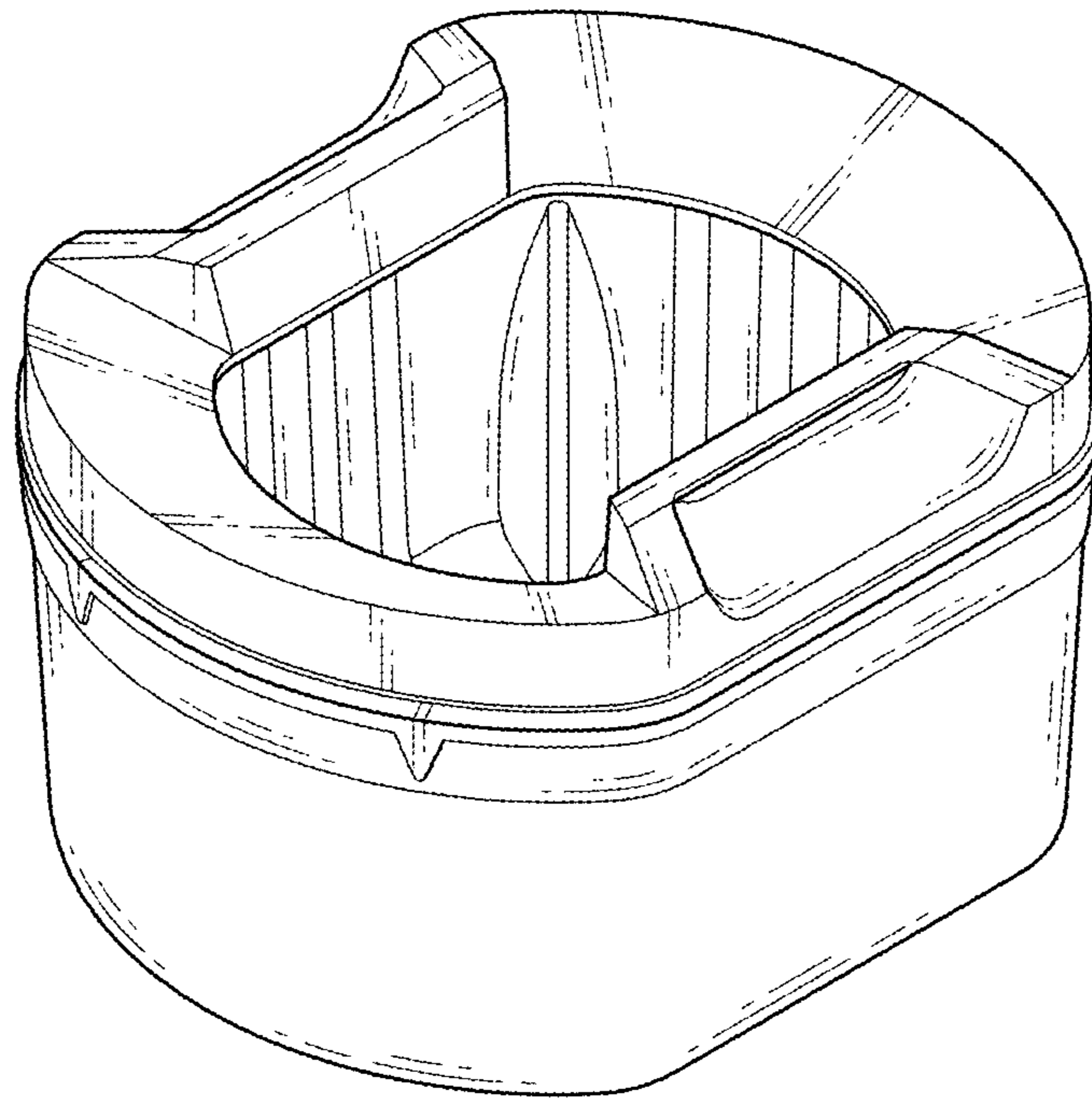


FIG. 2

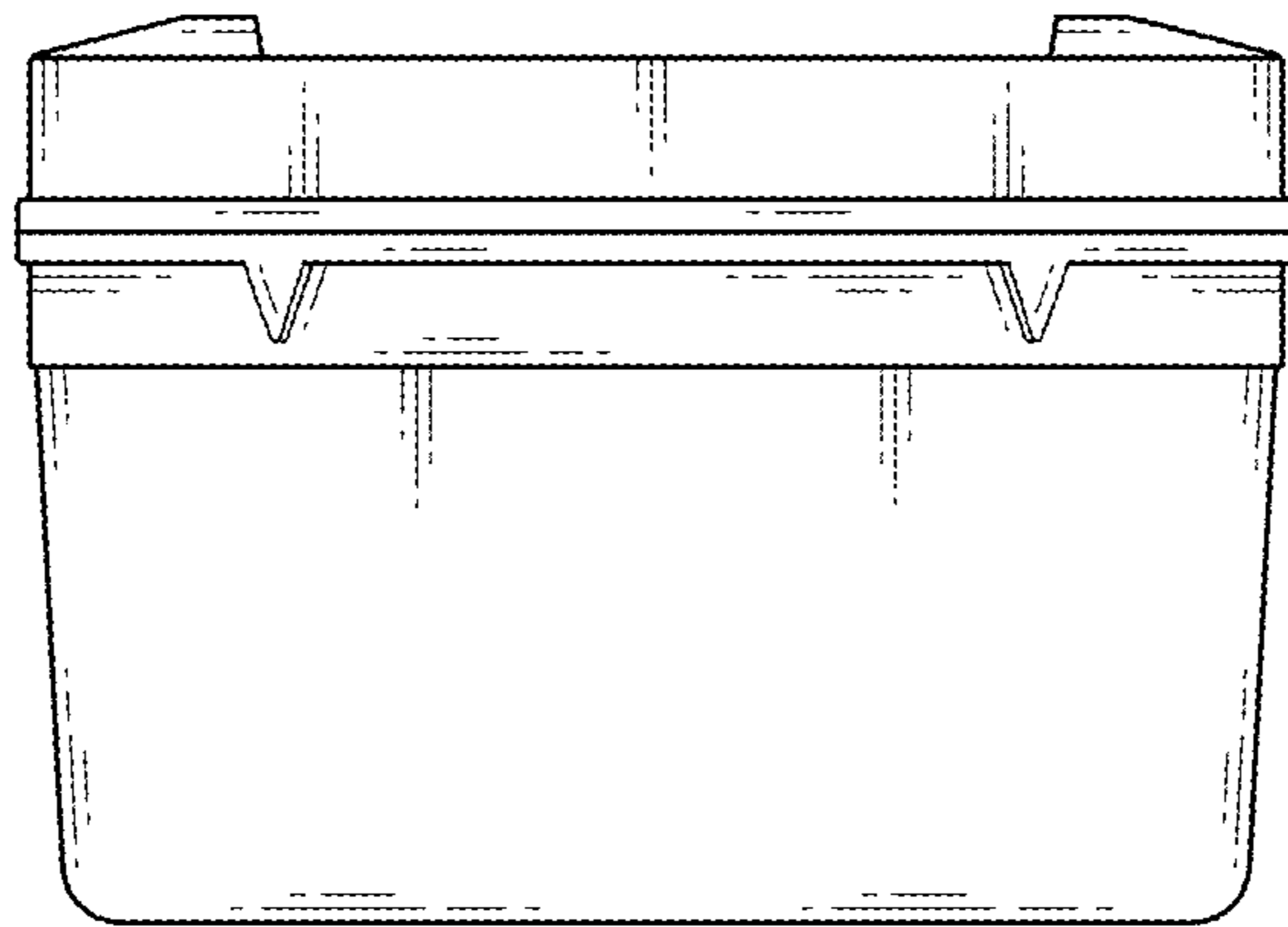


FIG. 3

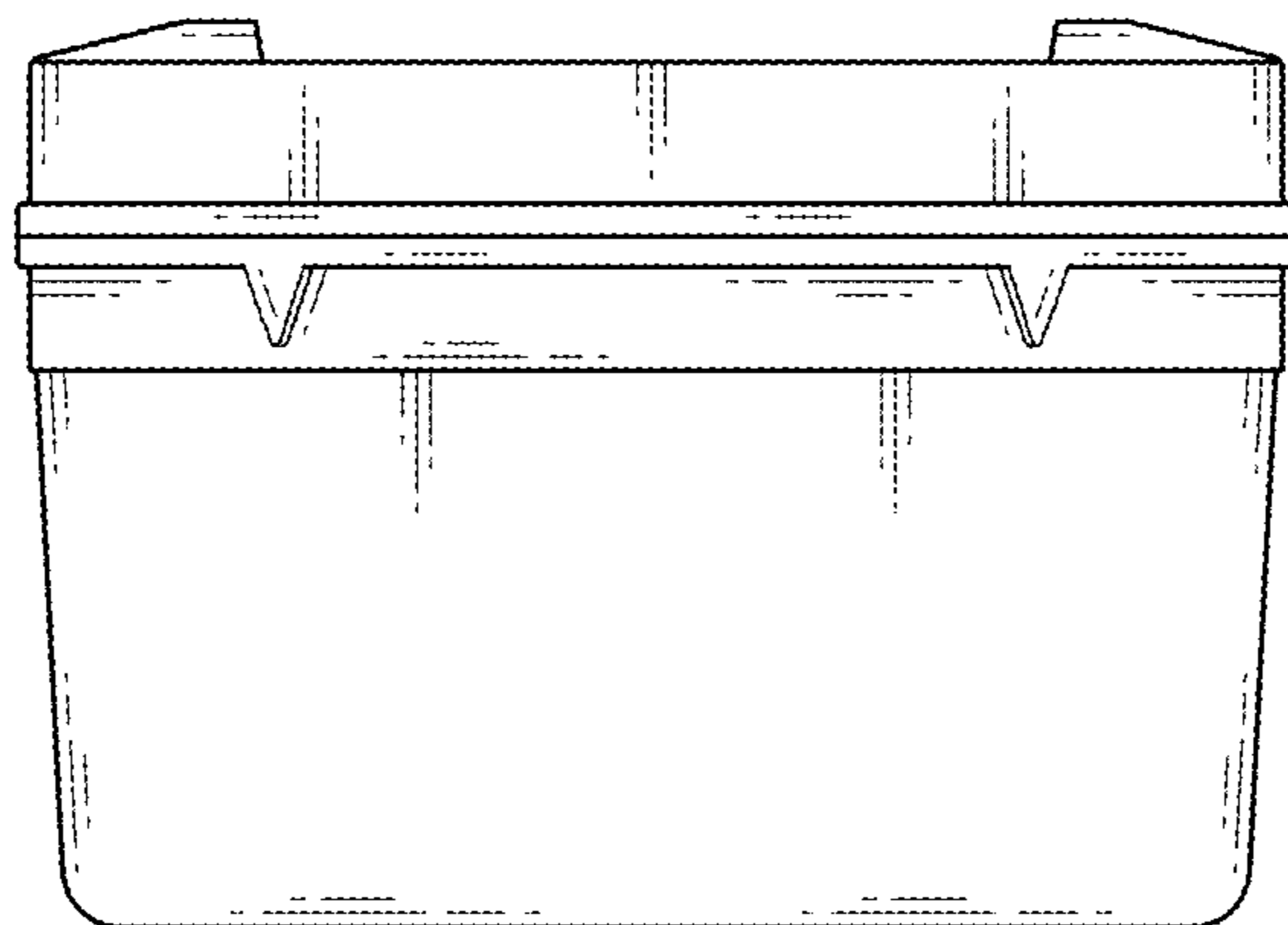


FIG. 4

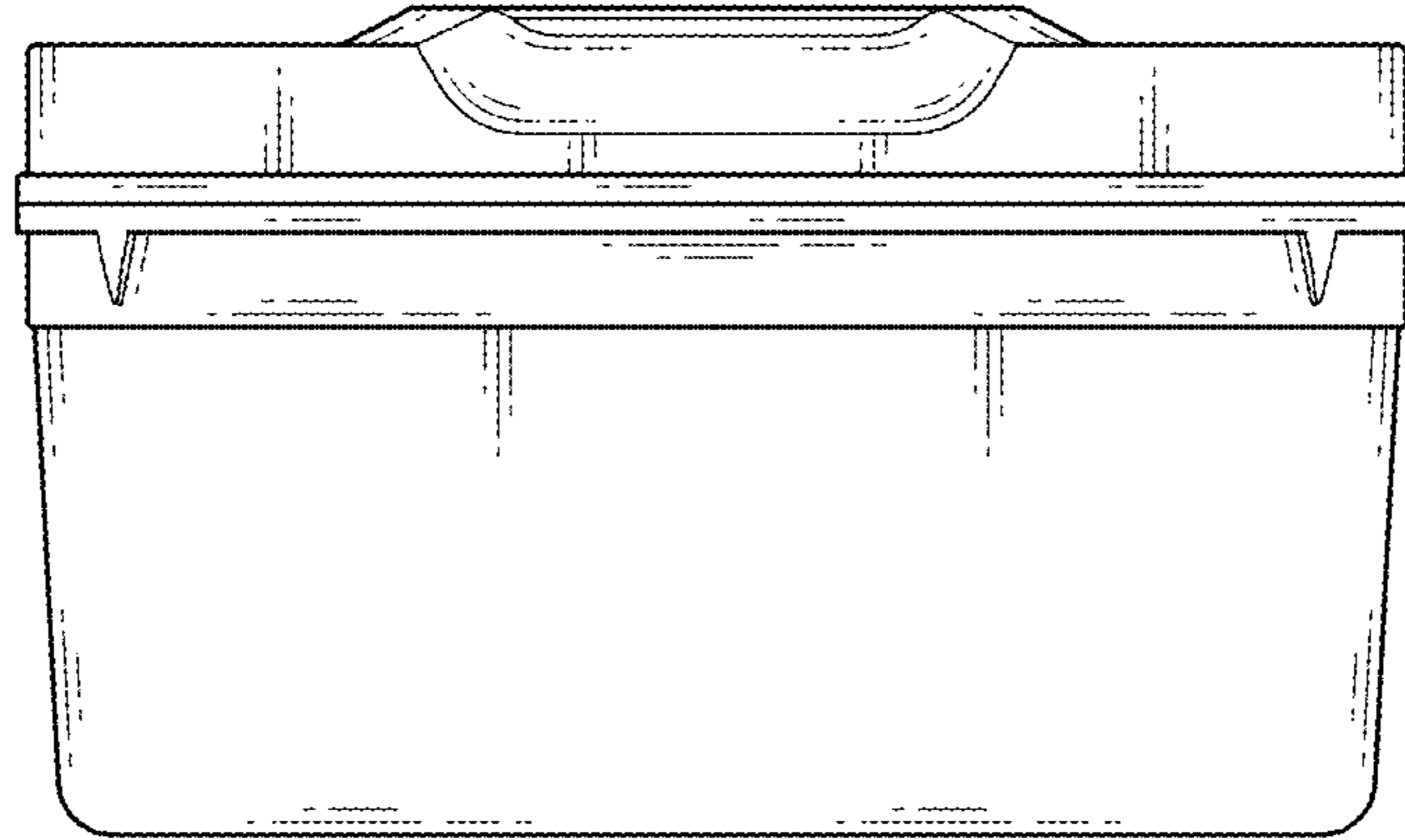


FIG. 5

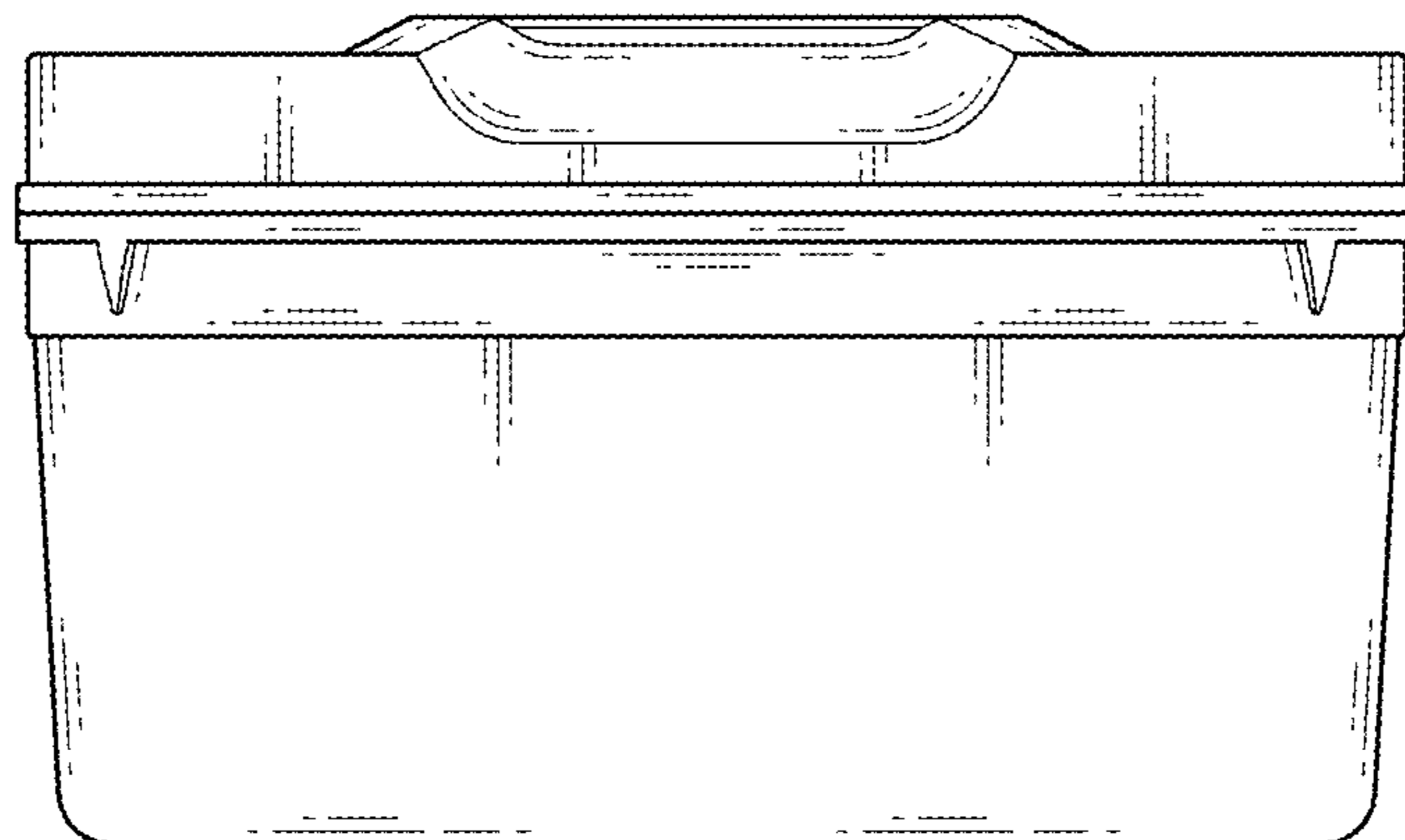


FIG. 6

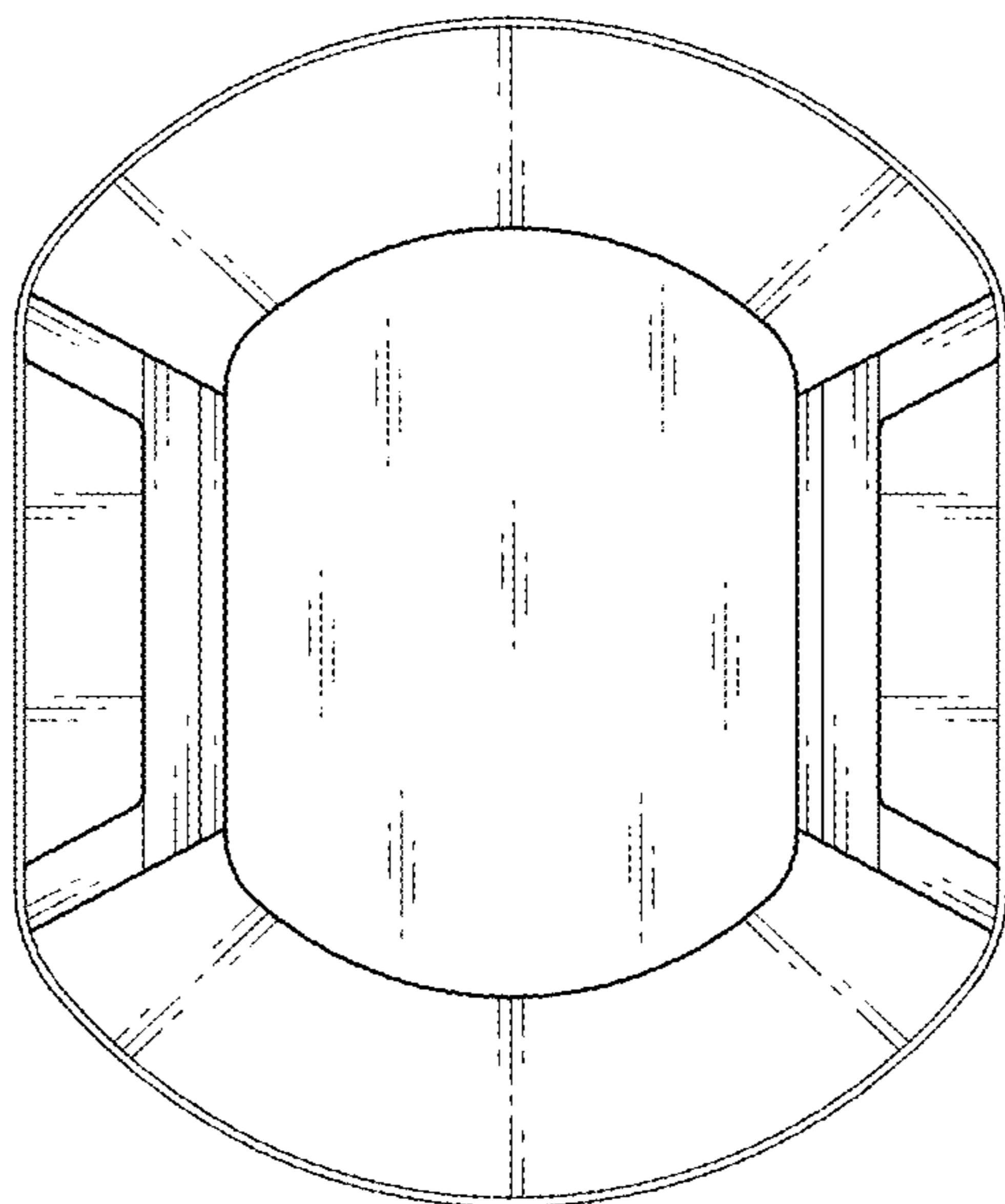


FIG. 7

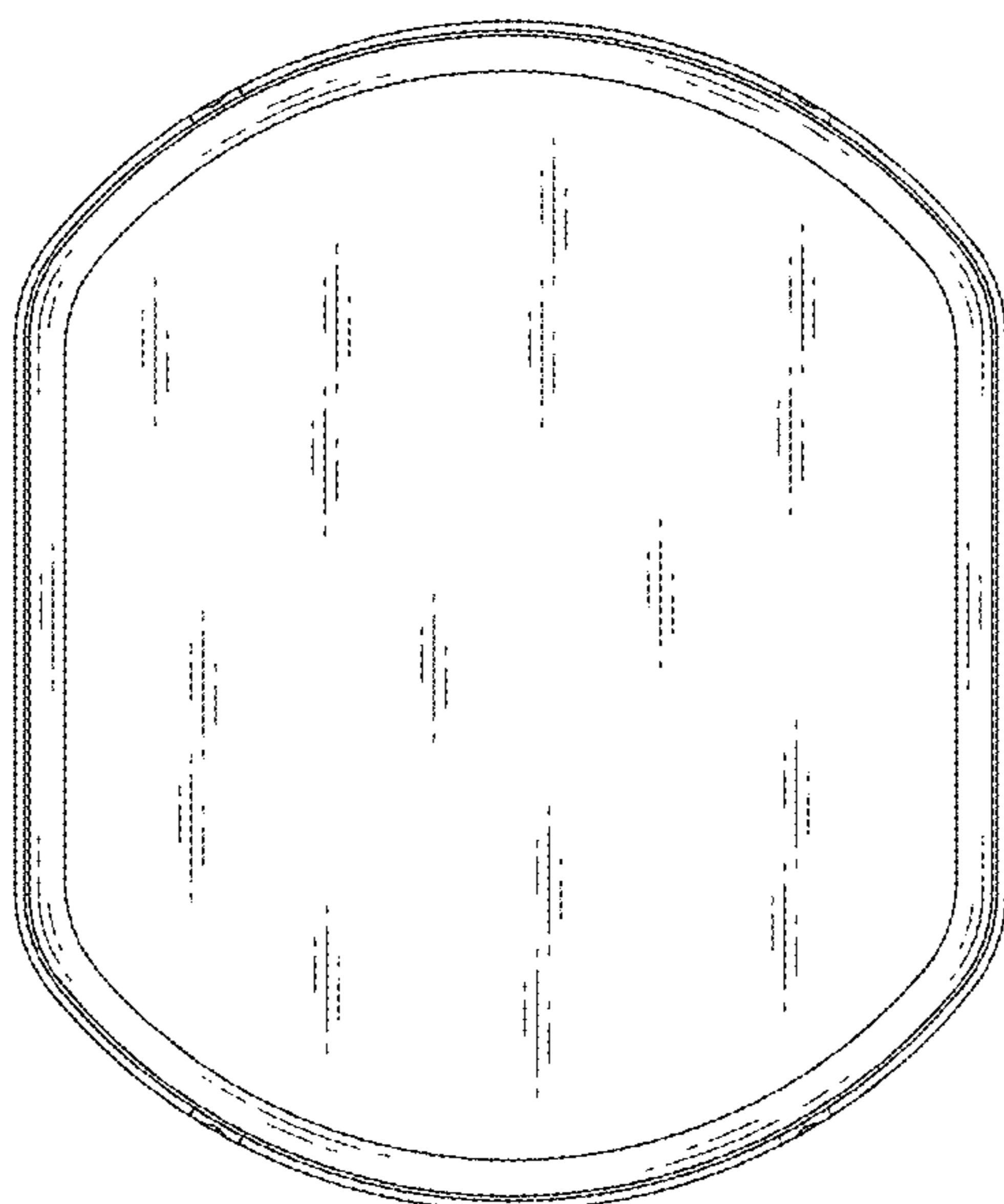


FIG. 8

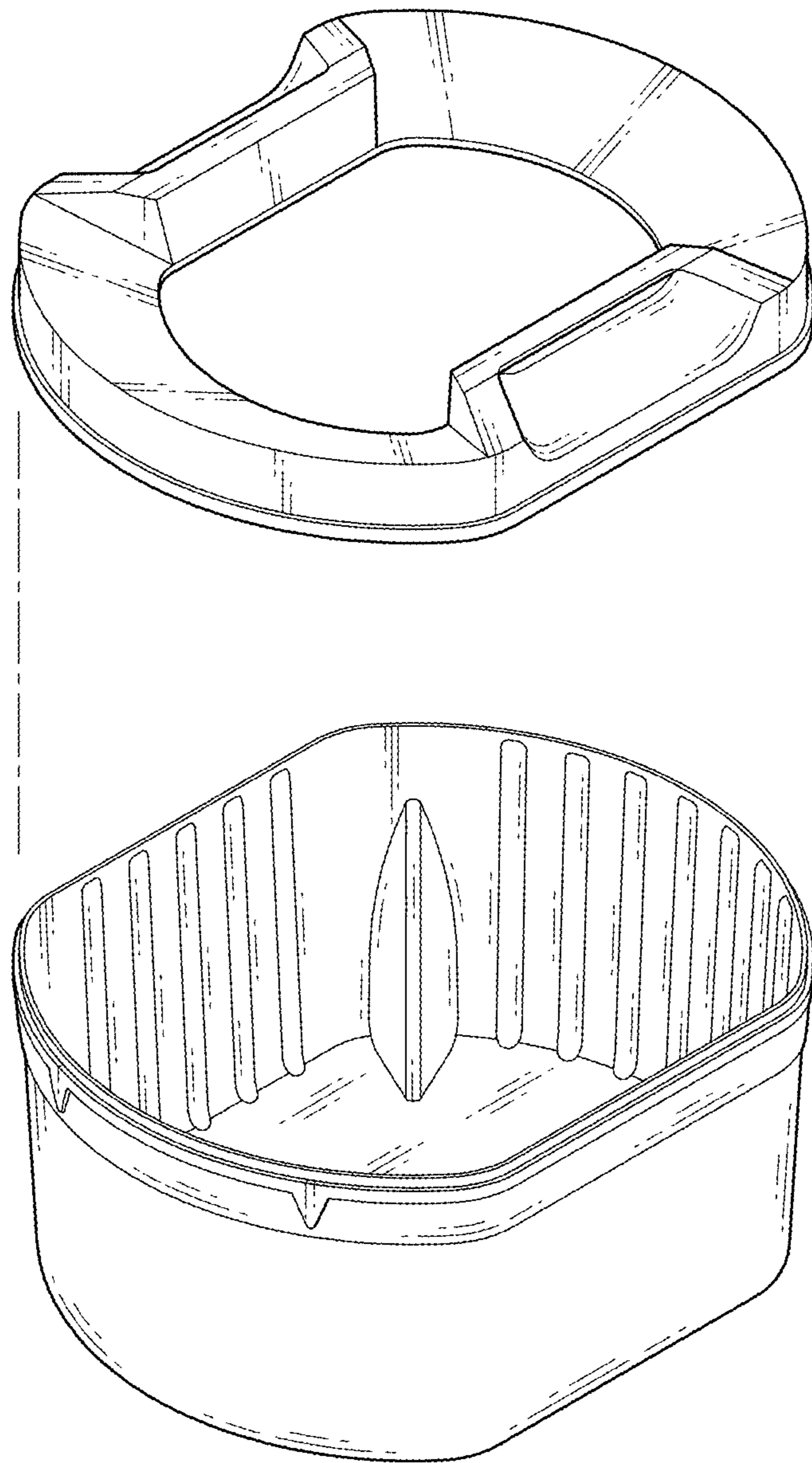


FIG. 9

