



US00D774712S

(12) **United States Design Patent**
Seo et al.

(10) **Patent No.:** **US D774,712 S**
(45) **Date of Patent:** **** Dec. 20, 2016**

(54) **WINE GLASS HANGER**

FOREIGN PATENT DOCUMENTS

(71) Applicant: **Samsung Electronics Co., Ltd.**,
Suwon-si (KR)

JP 6-36952 9/1996
JP D2000-15890 7/2001

(72) Inventors: **Hyeong-Ju Seo**, Seoul (KR); **Woo-Joo Choi**, Ahnyang-si (KR); **Jae-Jun Kim**, Seoul (KR); **Seung-Wook Suh**, Goyang-si (KR)

Primary Examiner — Terry Wallace
(74) *Attorney, Agent, or Firm* — NSIP Law

(73) Assignee: **Samsung Electronics Co., Ltd.**,
Suwon-si (KR)

(57) **CLAIM**

We claim the ornamental design for a wine glass hanger, as shown and described.

(**) Term: **15 Years**

(21) Appl. No.: **29/528,903**

DESCRIPTION

(22) Filed: **Jun. 2, 2015**

(30) **Foreign Application Priority Data**

Jan. 6, 2015 (KR) 30-2015-0000298

(51) **LOC (10) Cl.** **15-05**

(52) **U.S. Cl.**
USPC **D32/3; D7/705**

(58) **Field of Classification Search**
USPC D32/2, 3, 25; D7/701-708; D8/395, 349,
D8/354, 356; D6/552, 572
CPC A47J 47/16; A47L 15/505; A47L 15/503;
A47G 23/02; A47G 23/0208; A47B
73/00; A47F 1/12
See application file for complete search history.

FIG. 1 is a front perspective view of a wine glass hanger showing our new design;
FIG. 2 is a front view thereof;
FIG. 3 is a rear view thereof;
FIG. 4 is a left-side view thereof;
FIG. 5 is a right-side view thereof;
FIG. 6 is a top view thereof;
FIG. 7 is a bottom view thereof;
FIG. 8 is an enlarged view of the encircled portion of the wine glass hanger shown in FIG. 1;
FIG. 9 is an enlarged view of the encircled portion of the wine glass hanger shown in FIG. 2;
FIG. 10 is an enlarged view of the encircled portion of the wine glass hanger shown in FIG. 6;
FIG. 11 is a left-side cross-sectional view of the claimed portion of the wine glass hanger shown in FIG. 2; and
FIG. 12 is a right-side cross-sectional view of the claimed portion of the wine glass hanger shown in FIG. 2.

(56) **References Cited**

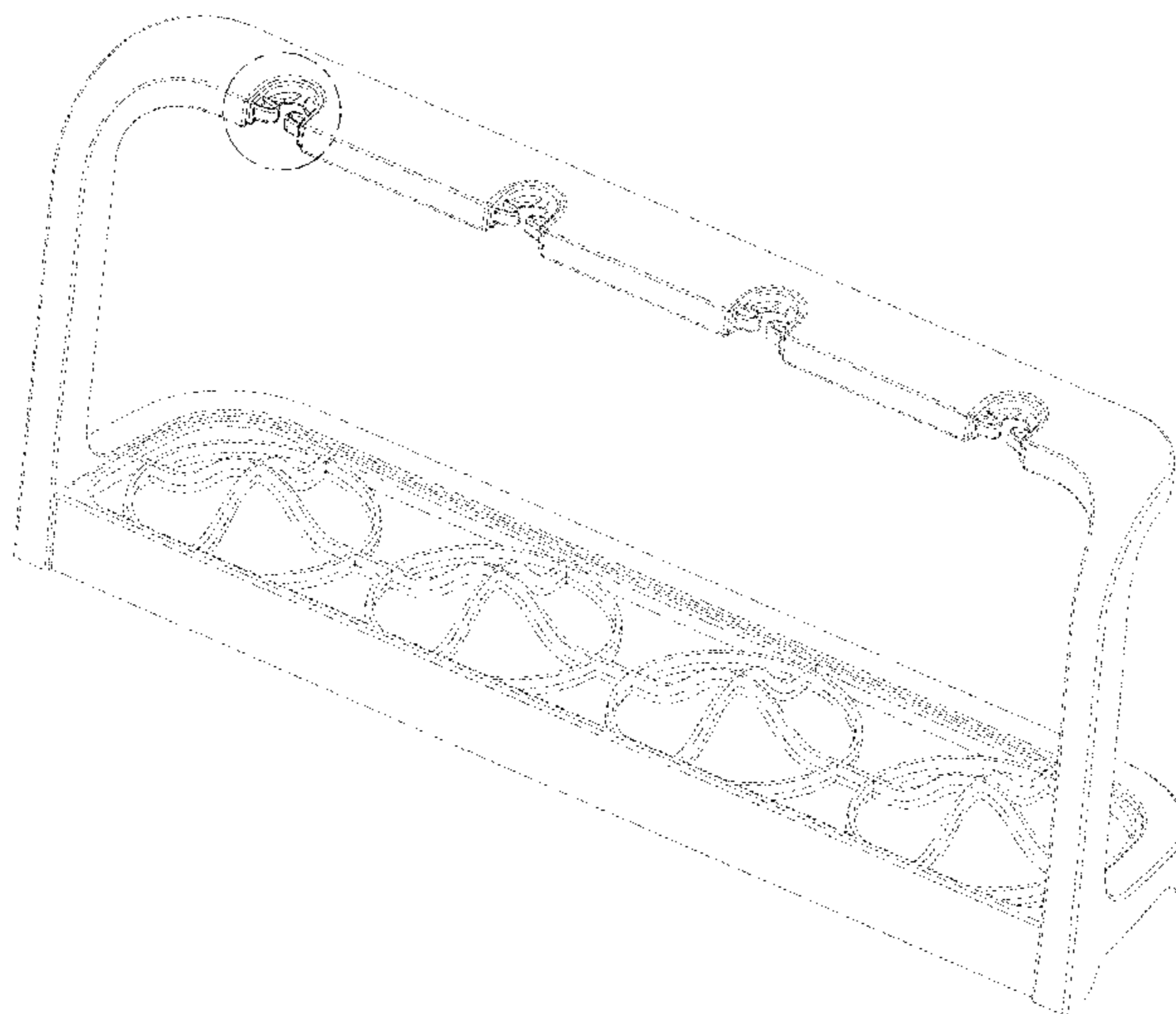
U.S. PATENT DOCUMENTS

D148,883 S * 3/1948 Panzer D7/706
D195,152 S * 4/1963 Angelakos 206/203
3,478,457 A * 11/1969 Watkins A47G 23/0208
211/75
4,030,663 A * 6/1977 Conn B04B 7/00
206/427

The broken lines in the figures show portions of the wine glass hanger which form no part of the claimed design.
The dot-dash broken lines encircling portions of the claimed design that are illustrated in enlargements form no part of the claimed design.

(Continued)

1 Claim, 8 Drawing Sheets



(56)

References Cited

U.S. PATENT DOCUMENTS

4,909,401 A * 3/1990 McConnell A47L 15/505
211/41.8
D386,391 S * 11/1997 Ogawa D8/380
D416,761 S * 11/1999 Miller D7/701
6,695,152 B1 * 2/2004 Fabrizio A47F 1/12
211/175
D516,757 S * 3/2006 Hedstrom D32/2
D624,795 S * 10/2010 Koeleman D7/706
D680,828 S * 4/2013 Decker D7/705
D706,009 S 5/2014 Cooper
2005/0178412 A1 * 8/2005 Koch A47L 15/505
134/135
2007/0125729 A1 * 6/2007 Krueger A47G 23/0208
211/60.1
2009/0065455 A1 * 3/2009 Miller A47L 15/505
211/70
2012/0292273 A1 * 11/2012 McNamara A47L 15/505
211/79

* cited by examiner

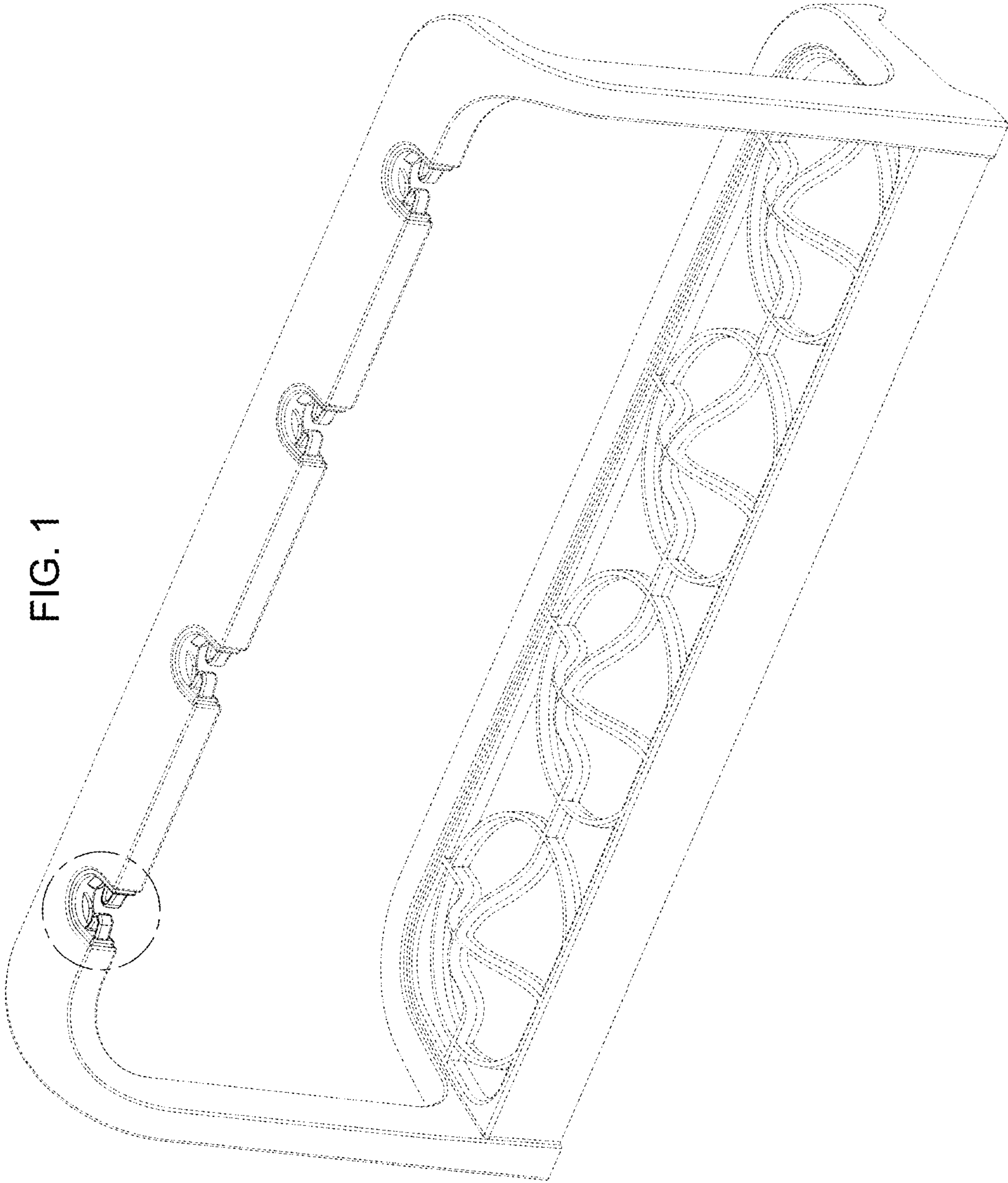


FIG. 1

FIG. 2

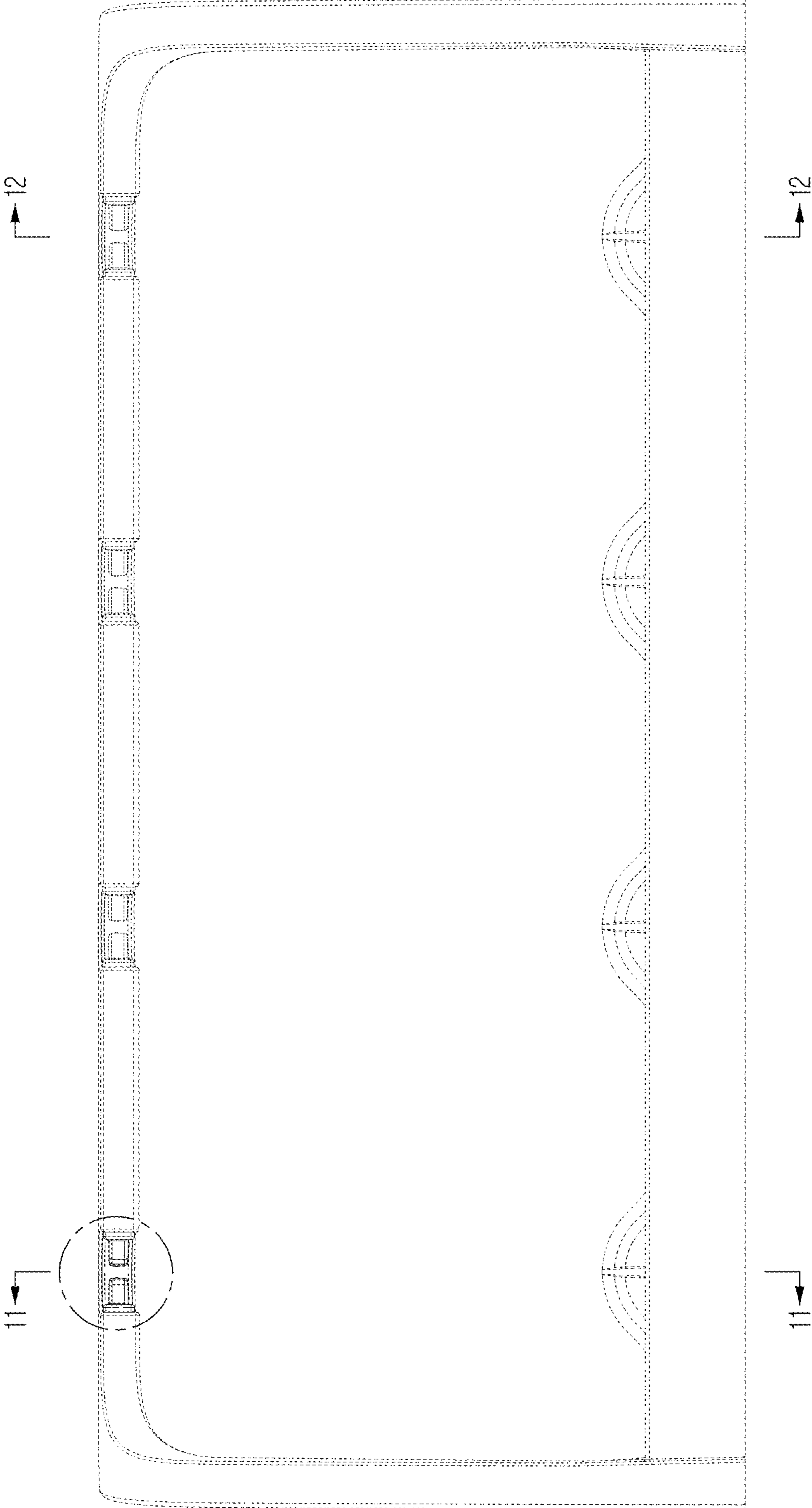


FIG. 3

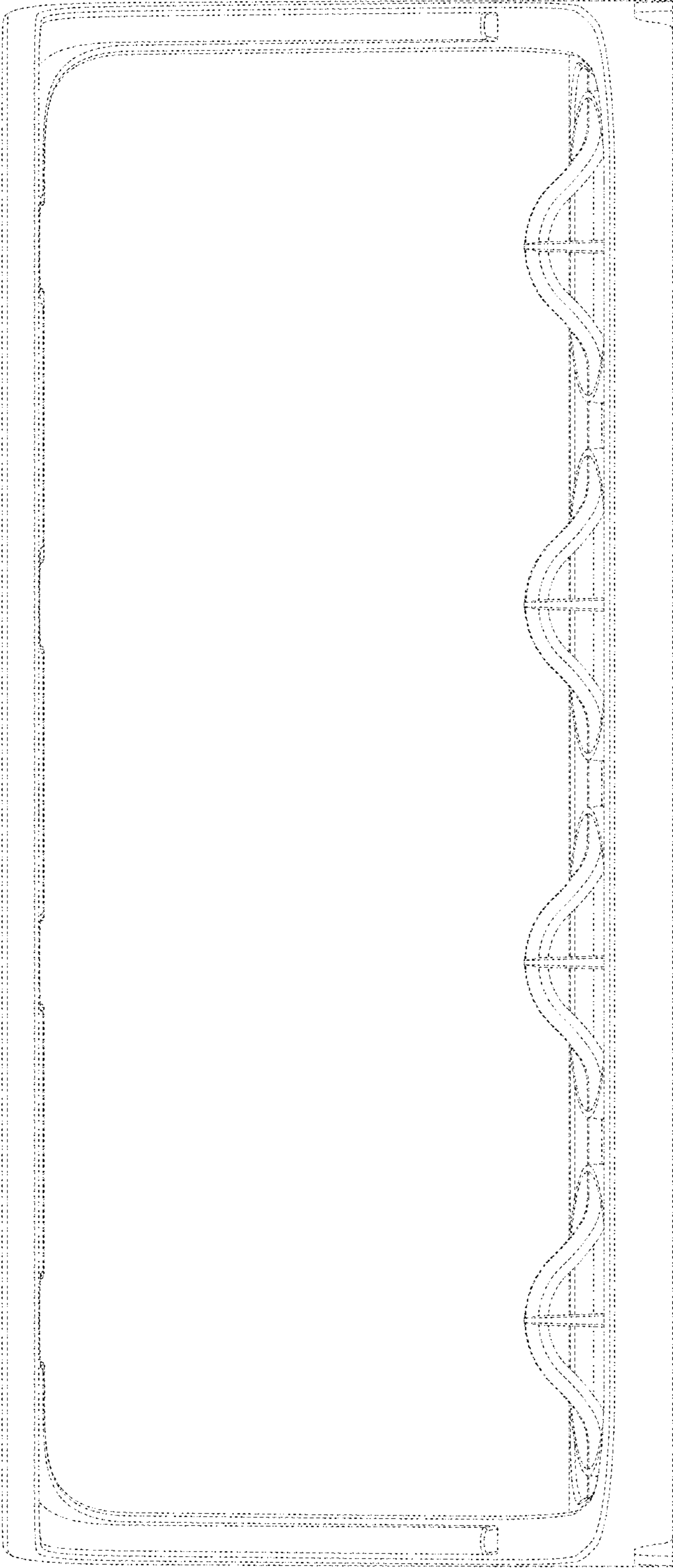


FIG. 5

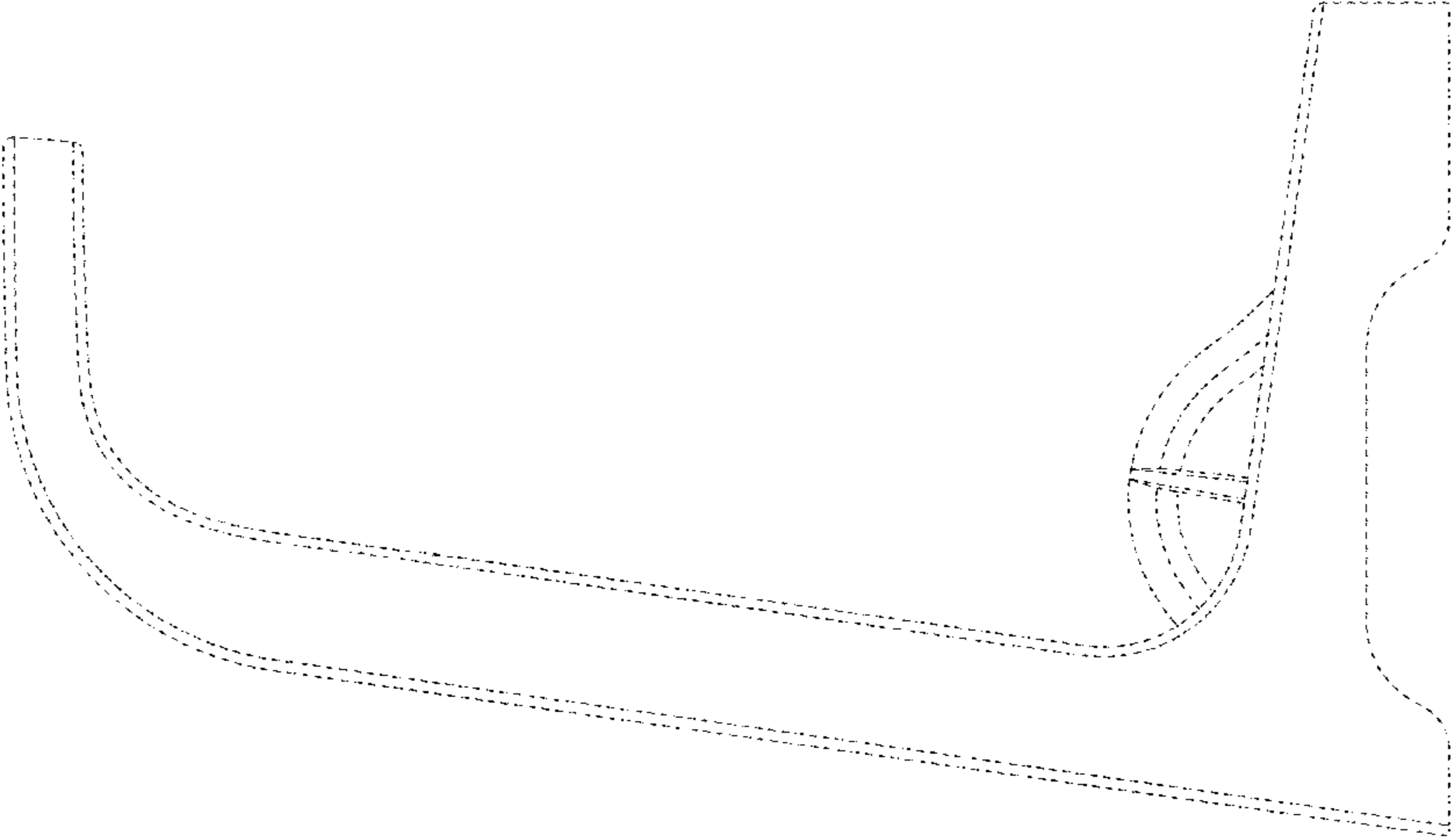


FIG. 4

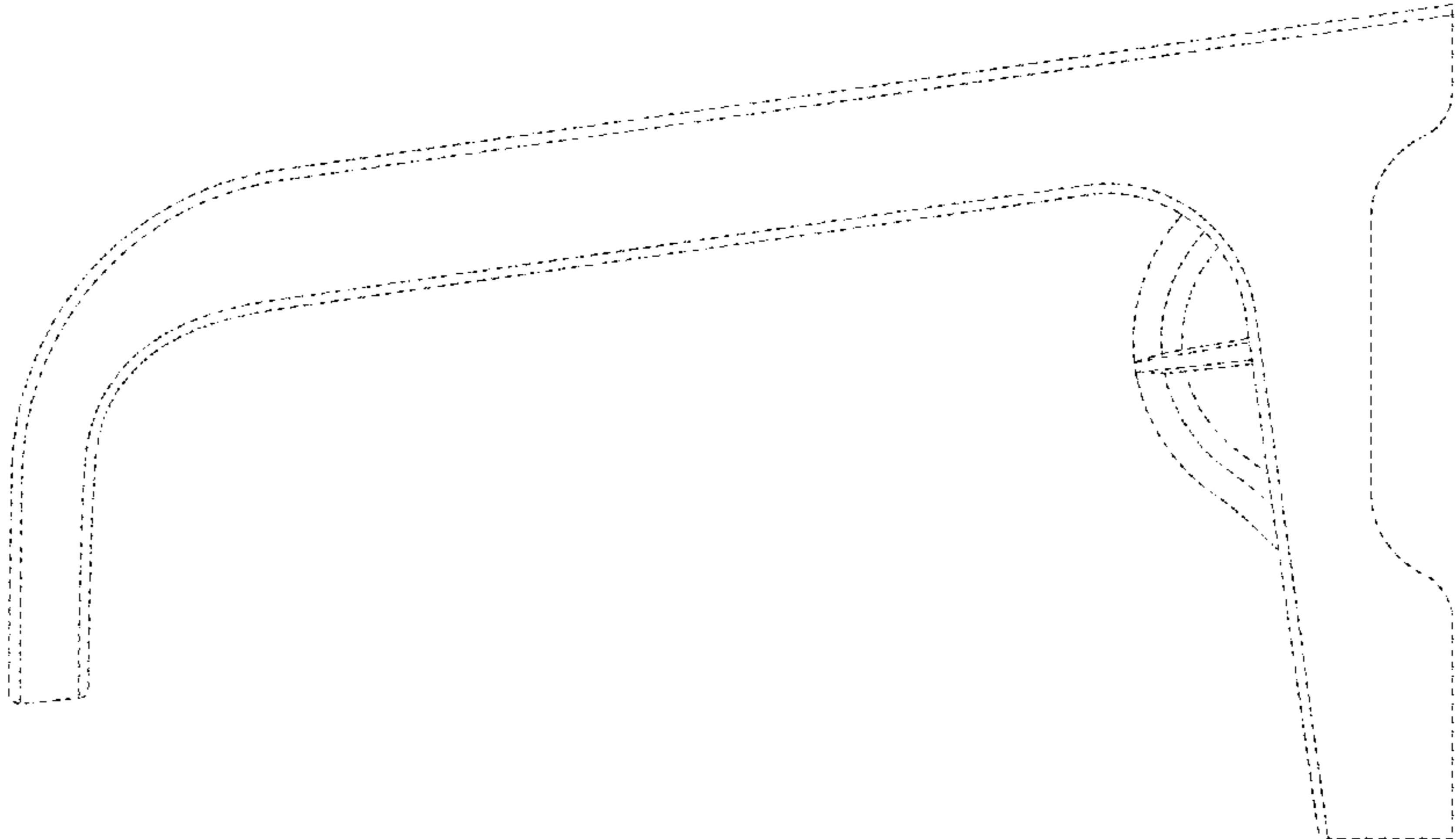


FIG. 6

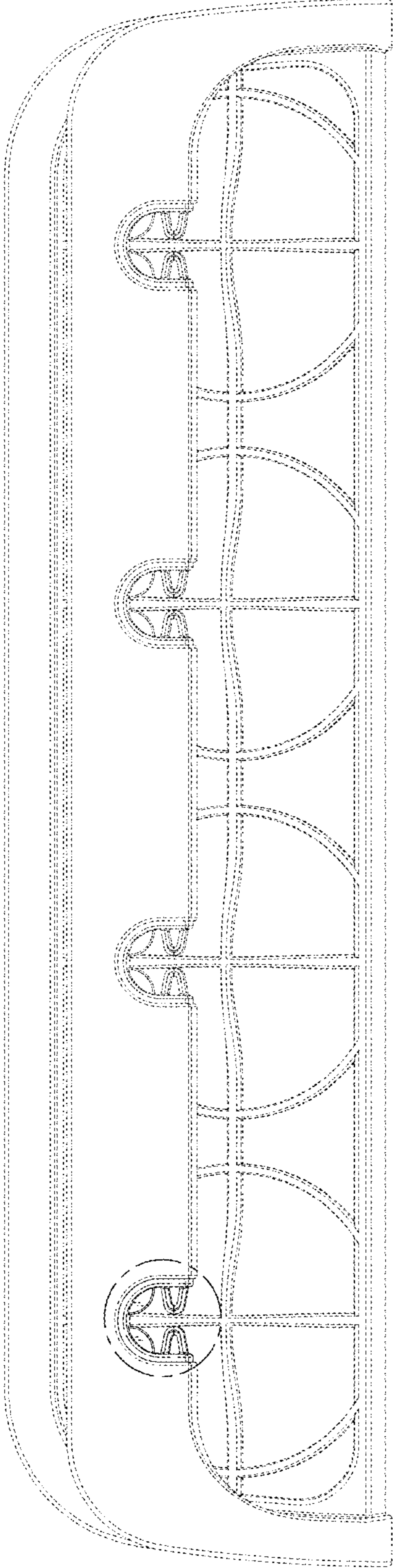


FIG. 7

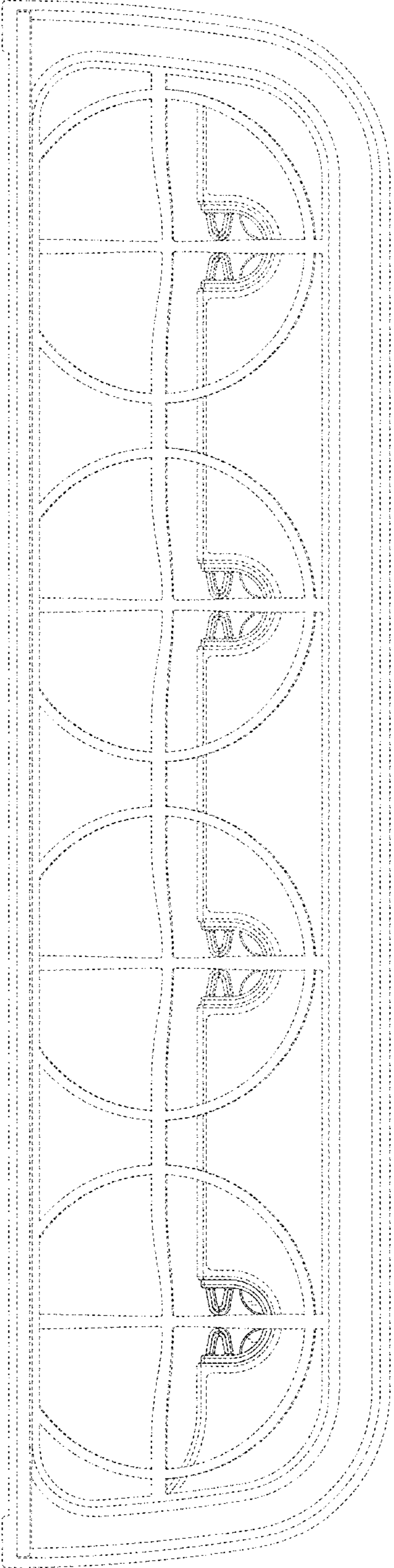


FIG. 9

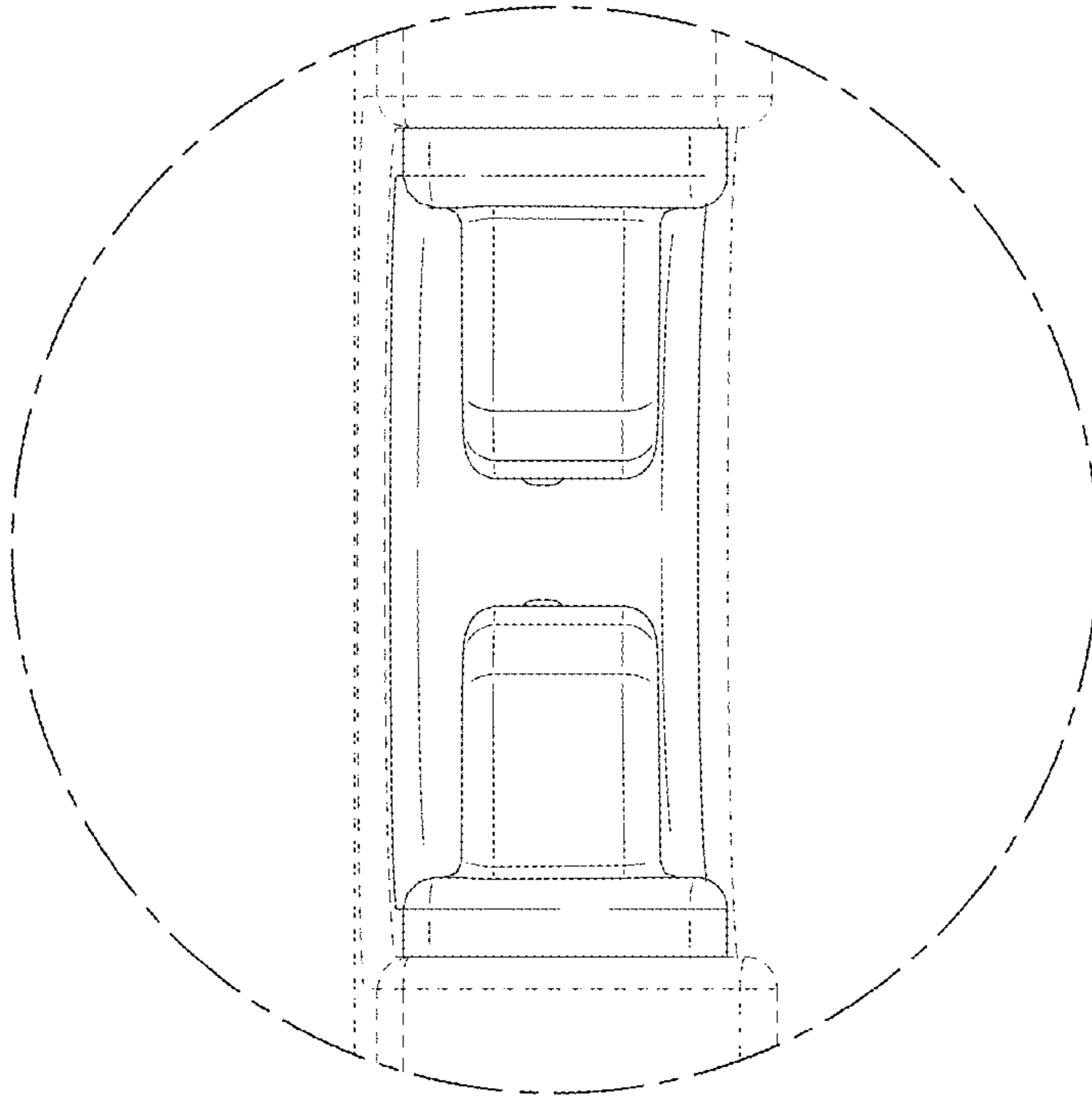


FIG. 8

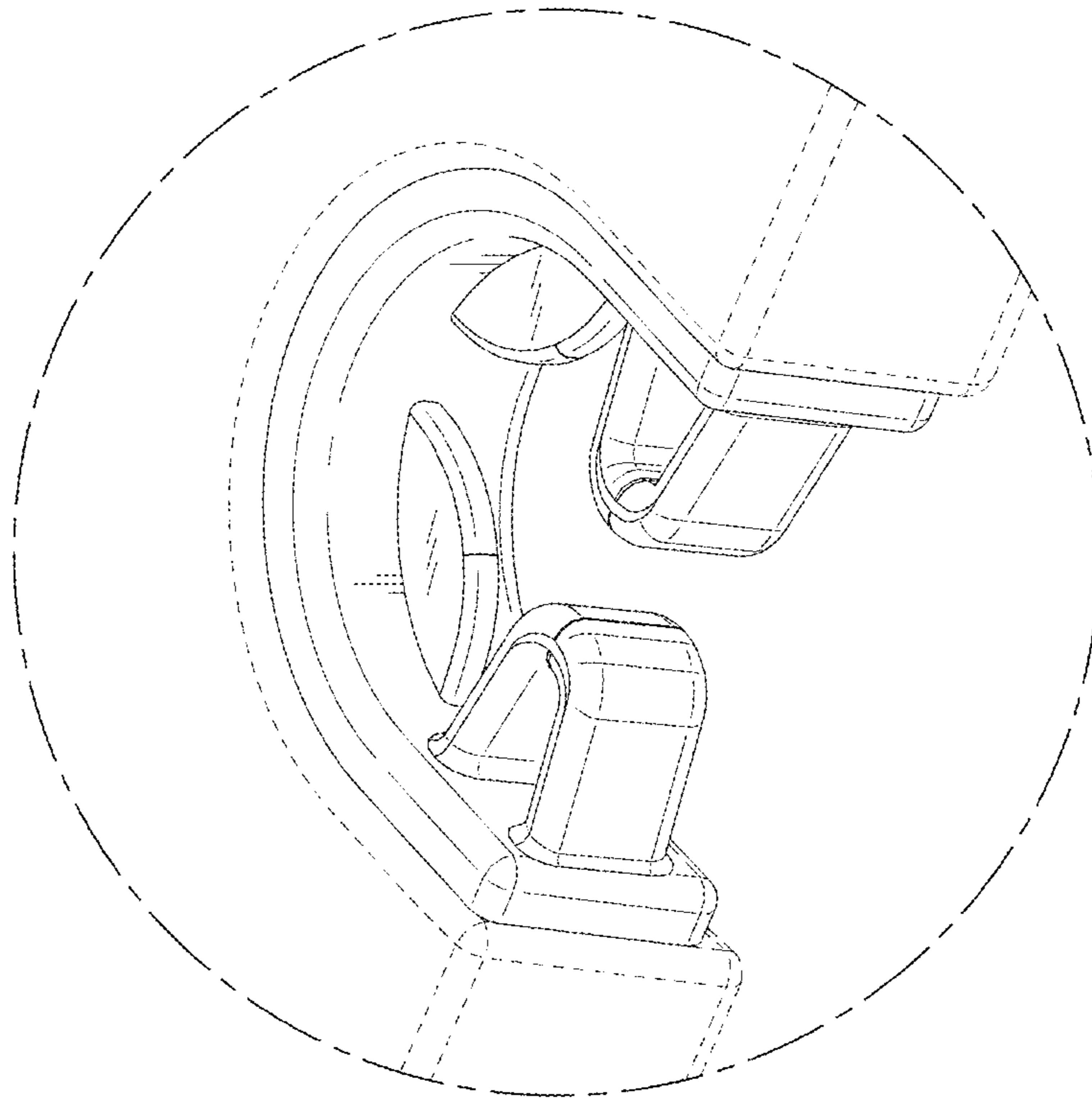


FIG. 10

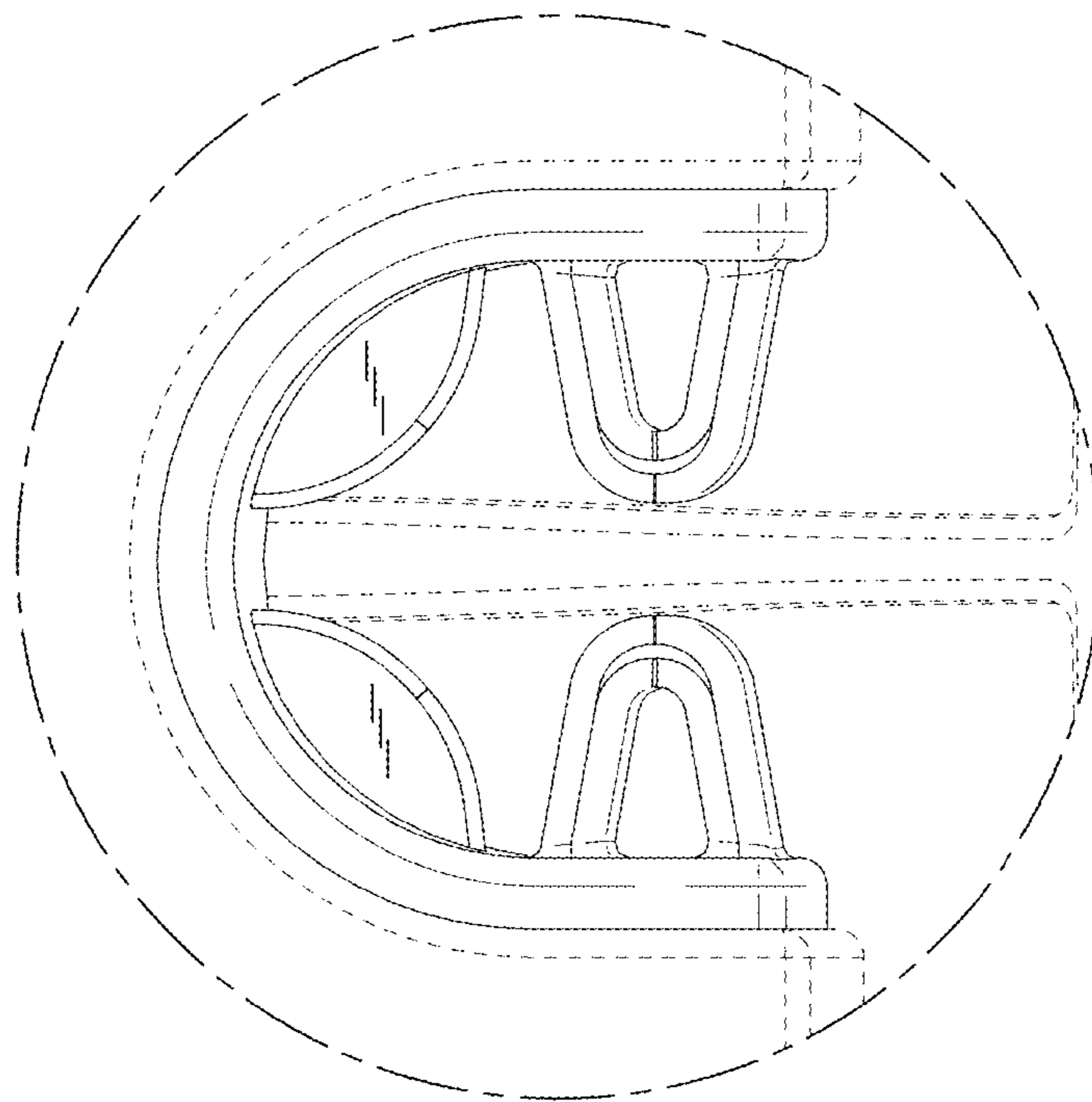


FIG. 12

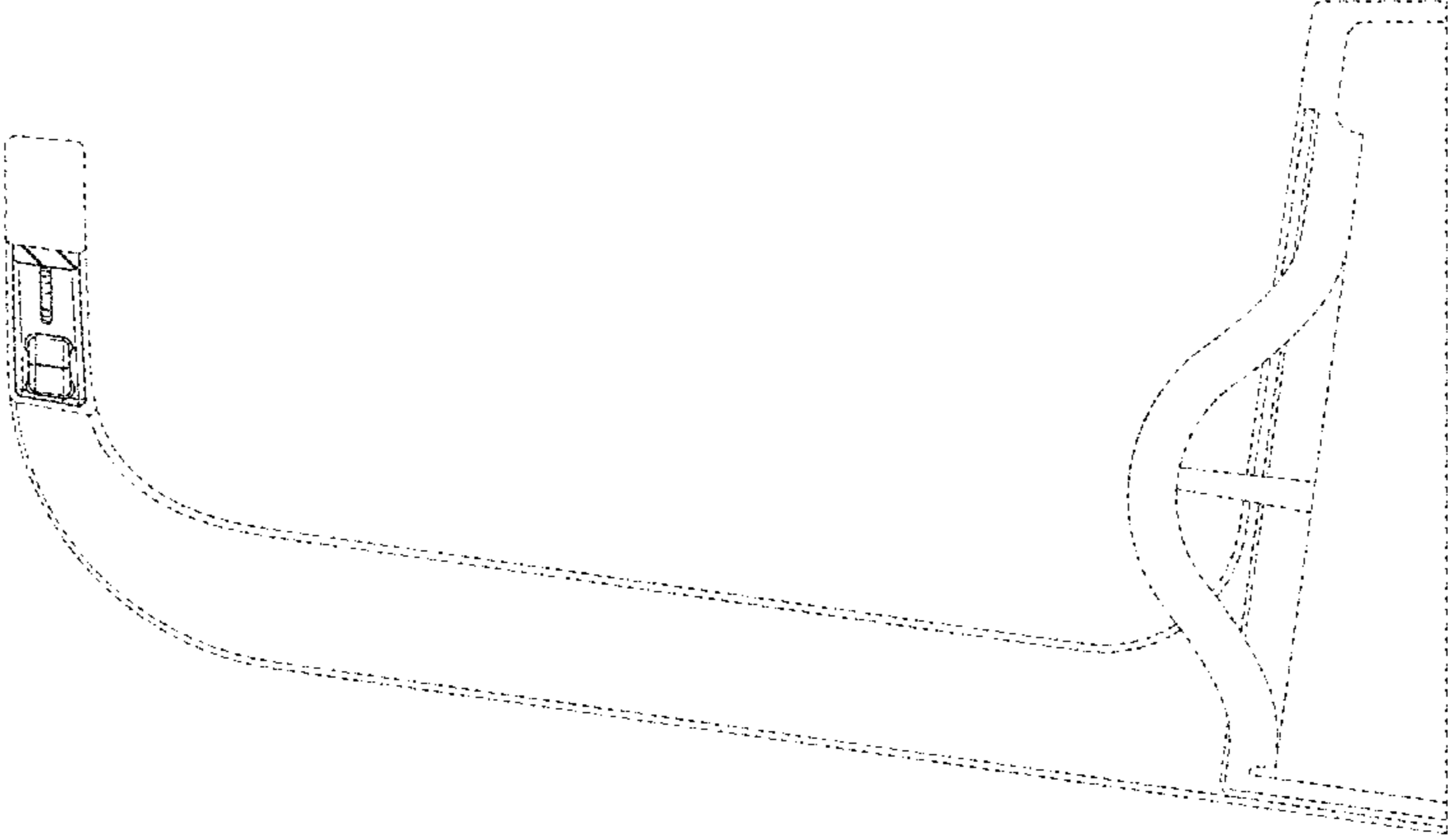


FIG. 11

