



US00D774711S

(12) **United States Design Patent**
Seo et al.

(10) **Patent No.:** **US D774,711 S**
(45) **Date of Patent:** **** Dec. 20, 2016**

(54) **WINE GLASS HANGER**

(71) Applicant: **Samsung Electronics Co., Ltd.**,
Suwon-si (KR)

(72) Inventors: **Hyeong-Ju Seo**, Seoul (KR); **Woo-Joo Choi**, Ahnyang-si (KR); **Jae-Jun Kim**, Seoul (KR); **Seung-Wook Suh**, Goyang-si (KR)

(73) Assignee: **Samsung Electronics Co., Ltd.**,
Suwon-si (KR)

(**) Term: **15 Years**

(21) Appl. No.: **29/528,891**

(22) Filed: **Jun. 2, 2015**

(30) **Foreign Application Priority Data**

Dec. 31, 2014 (KR) 30-2014-0064505

(51) **LOC (10) Cl.** **15-05**

(52) **U.S. Cl.**
USPC **D32/3; D7/705**

(58) **Field of Classification Search**
USPC D32/2, 3, 25; D7/701-708; D8/395, 349,
D8/354, 356; D6/552, 572
CPC A47J 47/16; A47G 23/02; A47G 23/0208;
A47B 73/00; A47L 15/503; A47L 15/505;
A47F 1/12
See application file for complete search history.

(56) **References Cited**

U.S. PATENT DOCUMENTS

D148,883 S * 3/1948 Panzer D7/706
D195,152 S * 4/1963 Angelakes D7/706
3,478,457 A * 11/1969 Watkins A47G 23/0208
211/75

4,909,401 A * 3/1990 McConnell A47L 15/505
211/41.8
D416,761 S * 11/1999 Miller D7/701
6,695,152 B1 * 2/2004 Fabrizio A47F 1/12
211/175

(Continued)

FOREIGN PATENT DOCUMENTS

JP 6-36952 11/1996
JP D2000-15890 7/2001

Primary Examiner — Terry Wallace
(74) *Attorney, Agent, or Firm* — NSIP Law

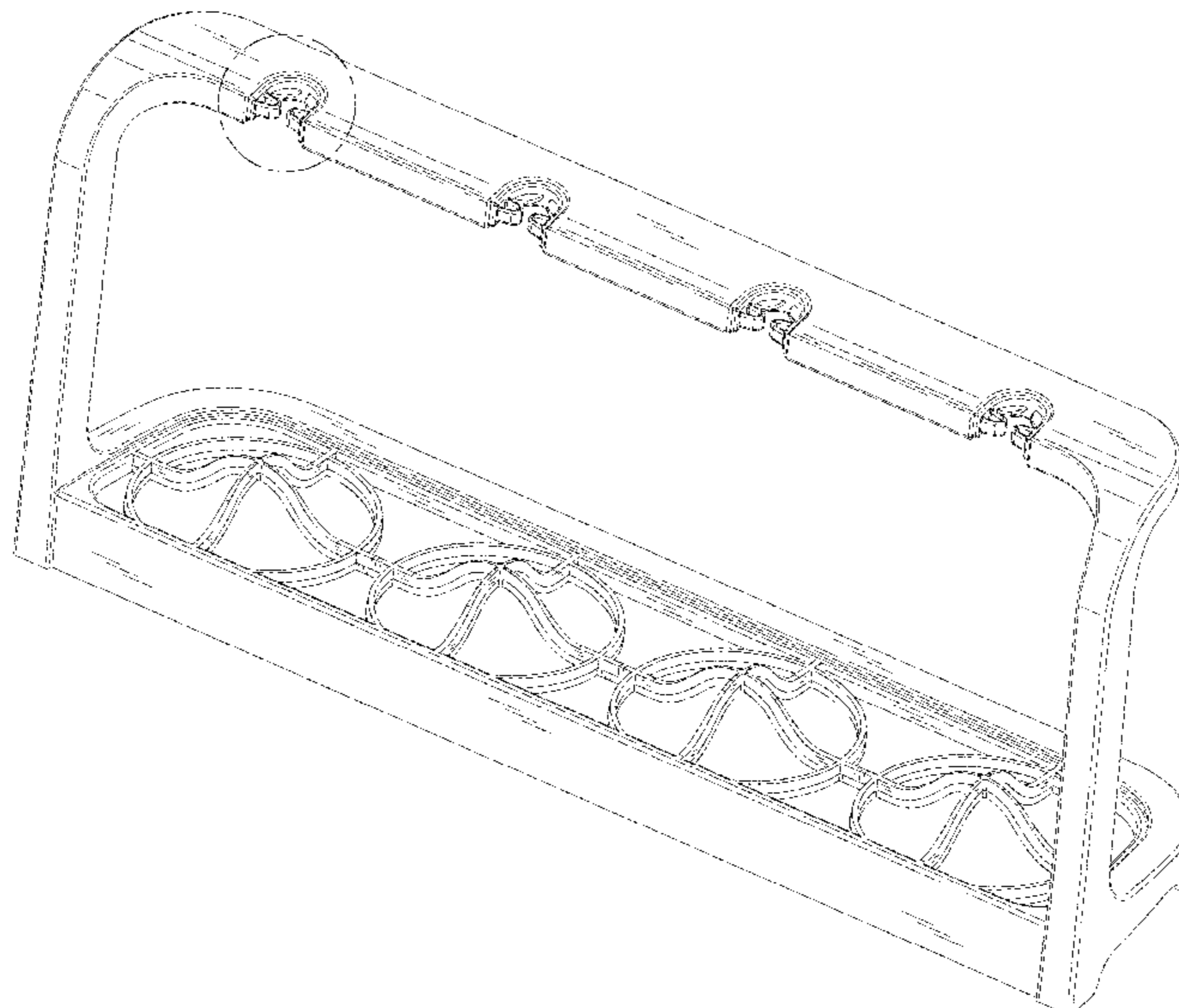
(57) **CLAIM**

We claim the ornamental design for a wine glass hanger, as shown and described.

DESCRIPTION

FIG. 1 is a front perspective view of a wine glass hanger showing our new design;
FIG. 2 is a front view thereof;
FIG. 3 is a rear view thereof;
FIG. 4 is a left-side view thereof;
FIG. 5 is a right-side view thereof;
FIG. 6 is a top view thereof;
FIG. 7 is a bottom view thereof;
FIG. 8 is a rear perspective view thereof, in which a wine glass is provided in broken lines to illustrate an example environment;
FIG. 9 is an enlarged view of the encircled portion of the wine glass hanger shown in FIG. 1;
FIG. 10 is a left-side cross-sectional view of the wine glass hanger shown in FIG. 2; and,
FIG. 11 is a right-side cross-sectional view of the wine glass hanger shown in FIG. 2.
The broken lines in the figures show portions of the wine glass hanger which form no part of the claimed design.
The dot-dash broken lines encircling portions of the claimed design that are illustrated in an enlargement form no part of the claimed design.

1 Claim, 8 Drawing Sheets



(56)

References Cited

U.S. PATENT DOCUMENTS

D516,757 S * 3/2006 Hedstrom D32/2
D624,795 S * 10/2010 Koeleman D7/706
D680,828 S * 4/2013 Decker D7/705
D706,009 S 5/2014 Cooper
D750,633 S * 3/2016 Minn D14/447
2005/0178412 A1* 8/2005 Koch A47L 15/505
134/135
2007/0125729 A1* 6/2007 Krueger A47G 23/0208
211/60.1
2012/0292273 A1* 11/2012 McNamara A47L 15/505
211/79

* cited by examiner

FIG. 1

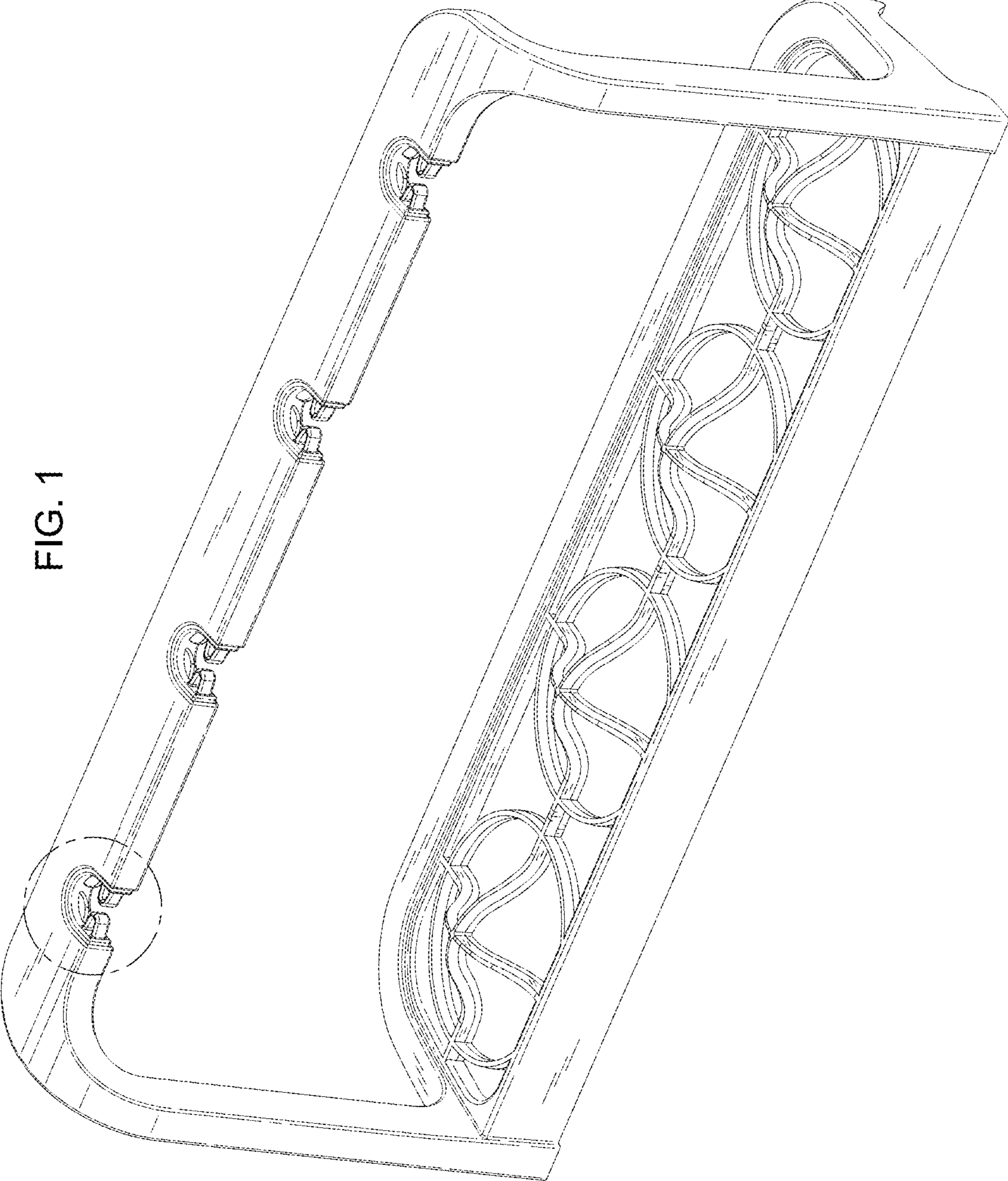


FIG. 2

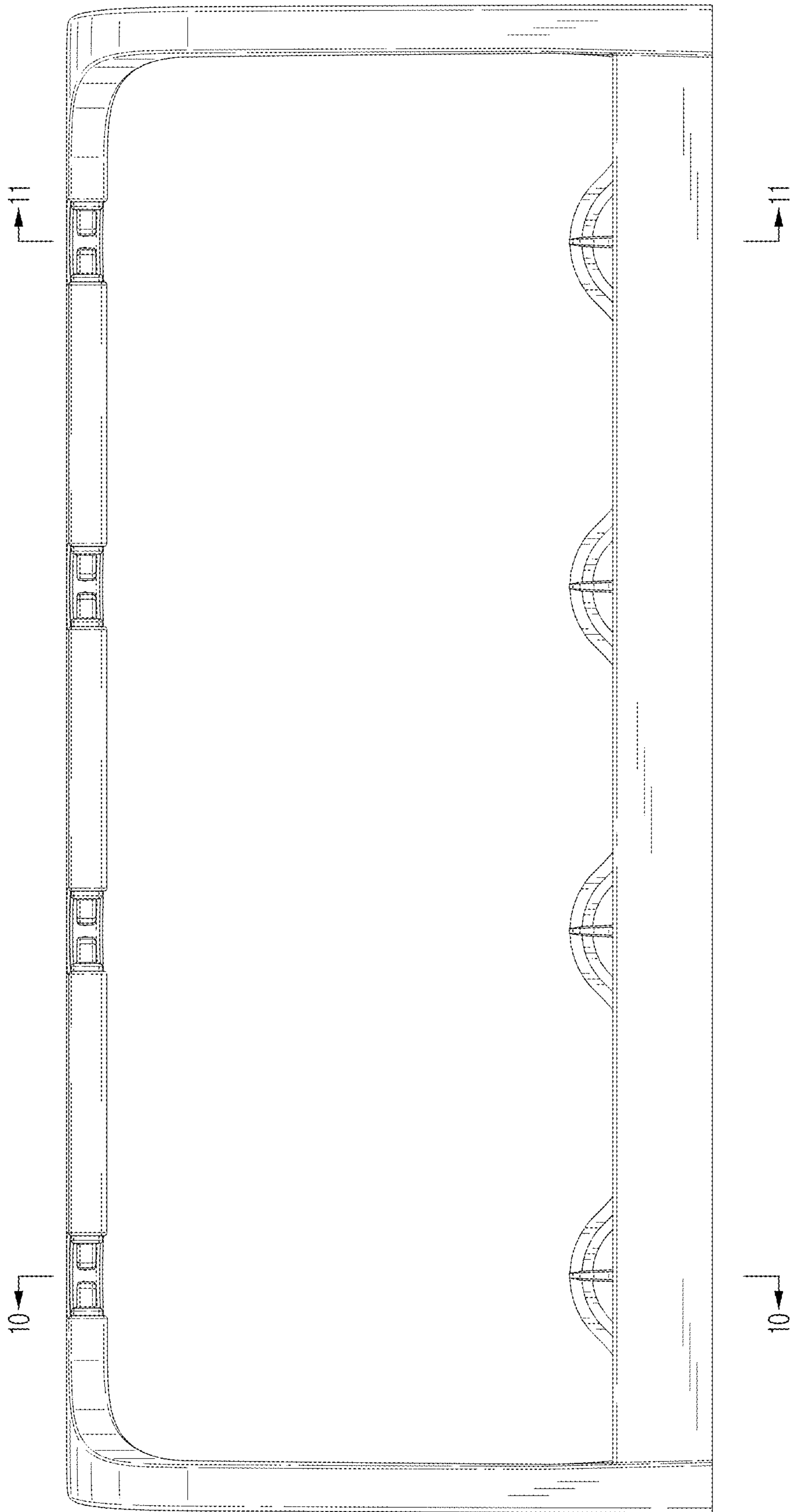


FIG. 3

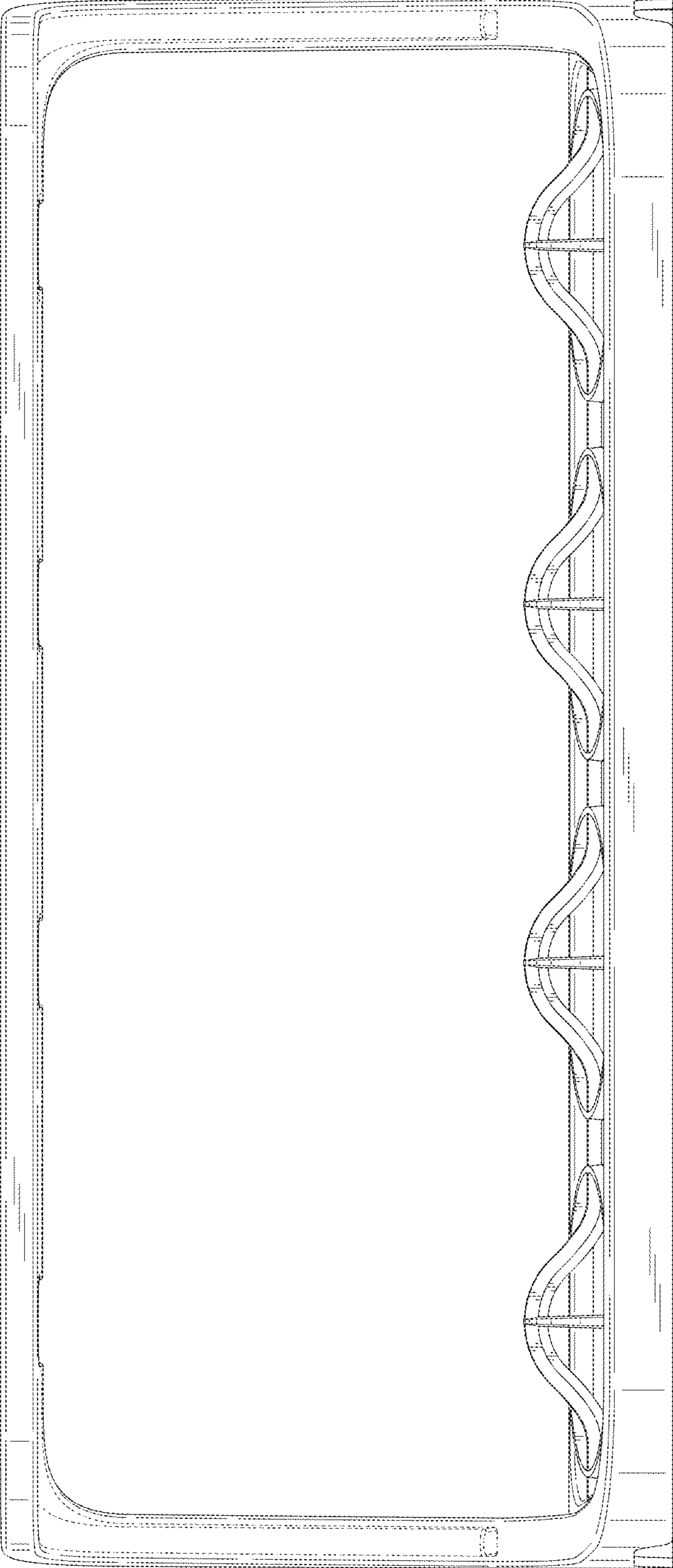


FIG. 5

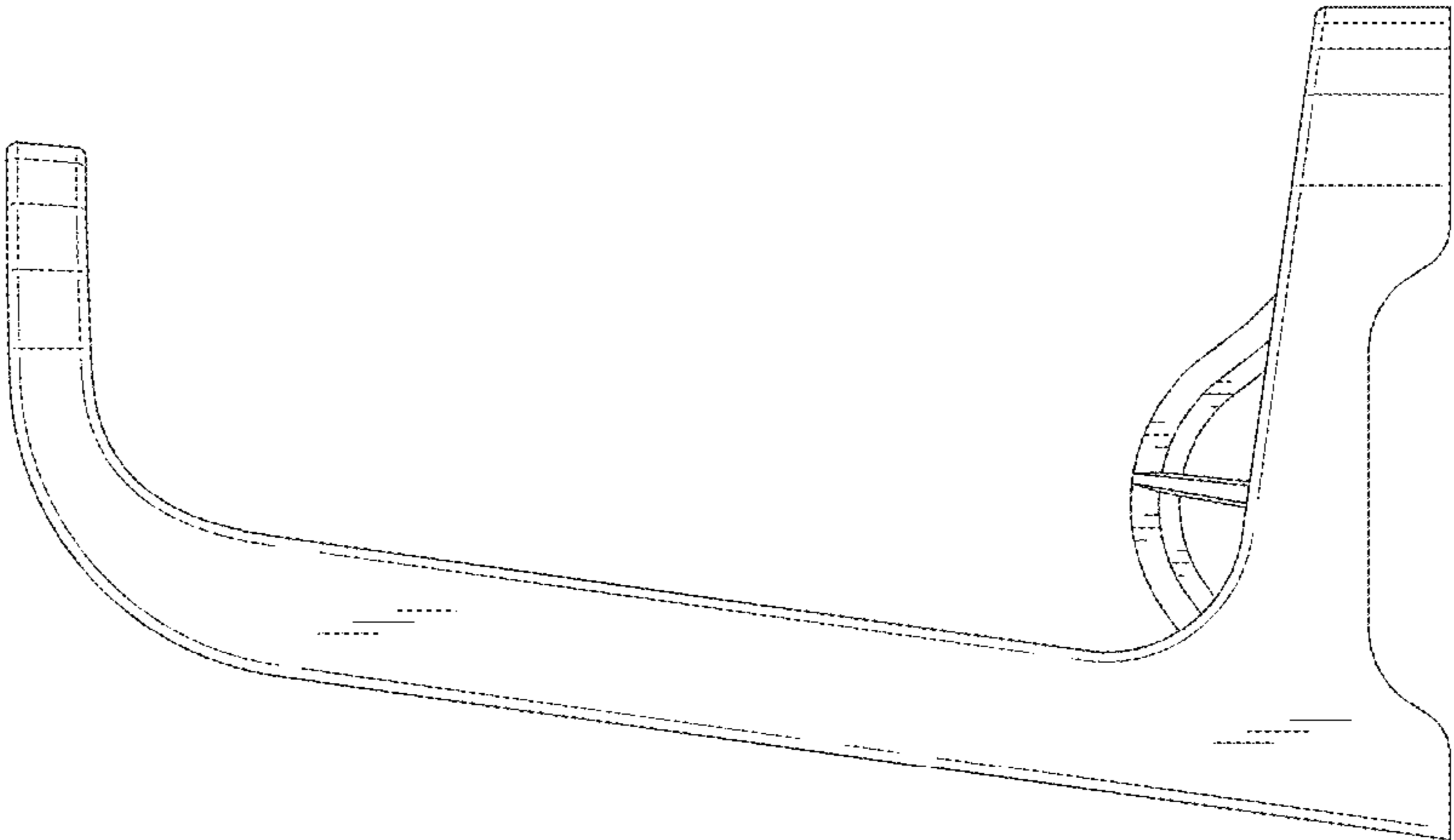


FIG. 4

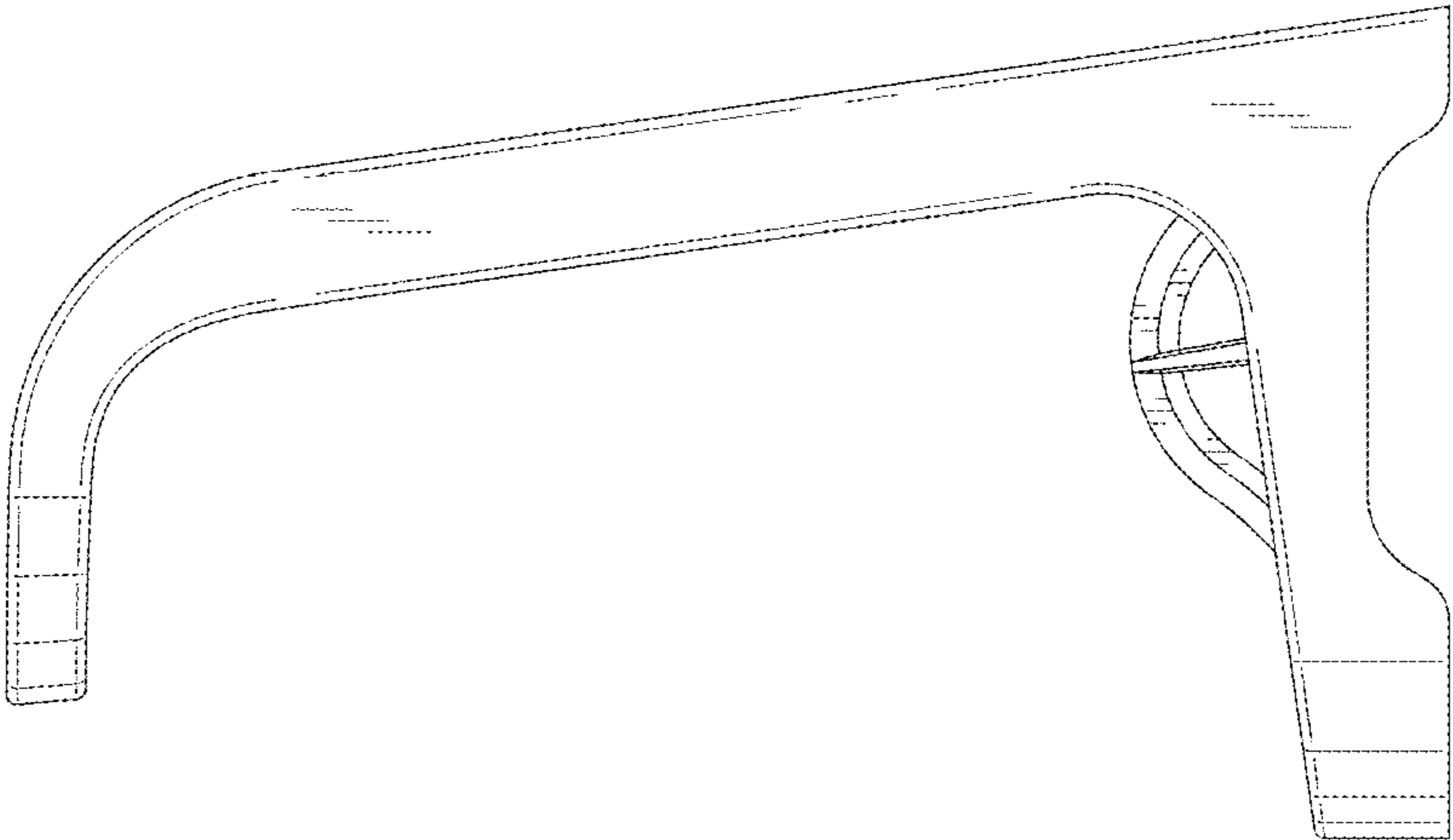


FIG. 6

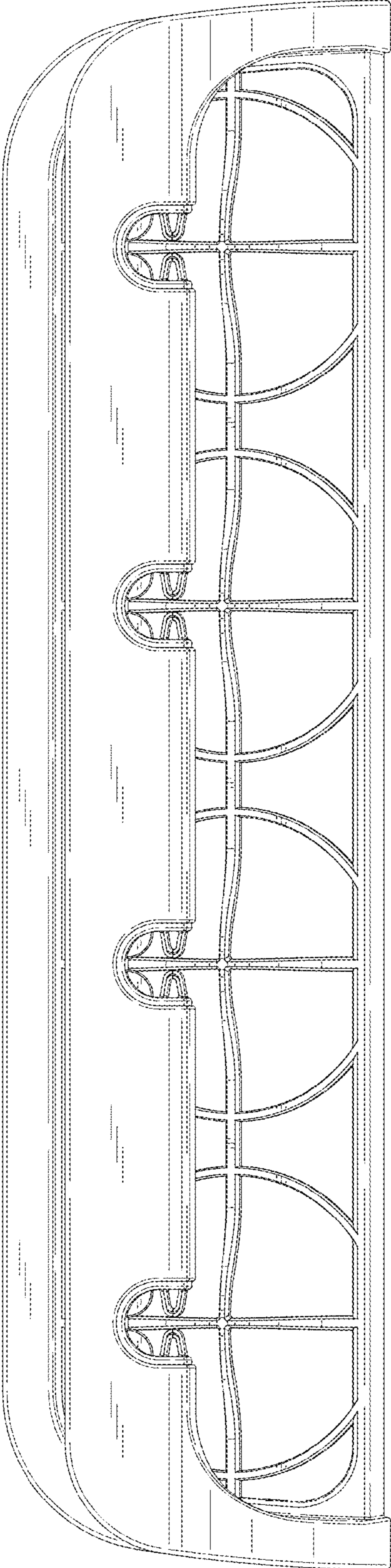


FIG. 7

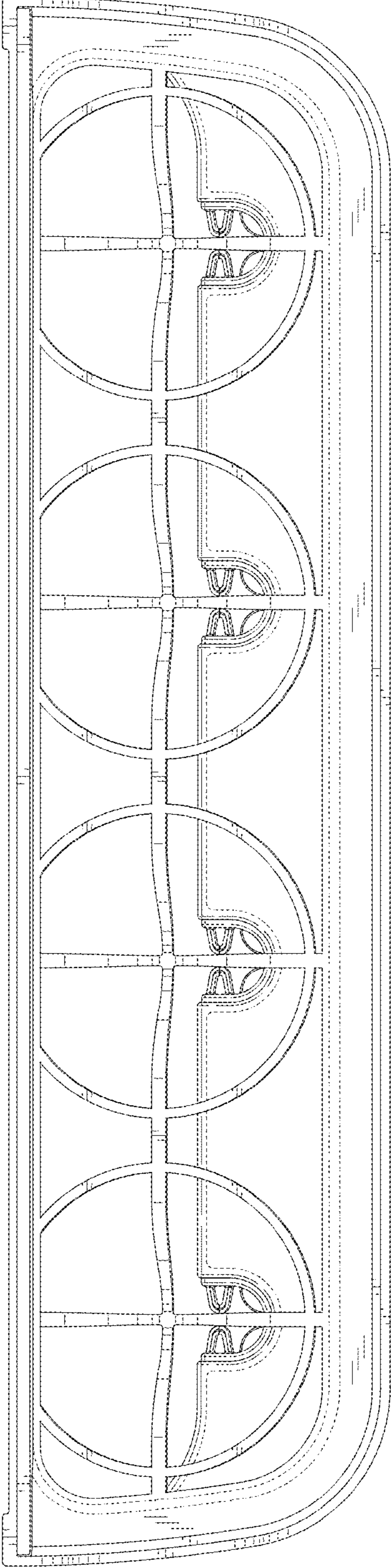


FIG. 8

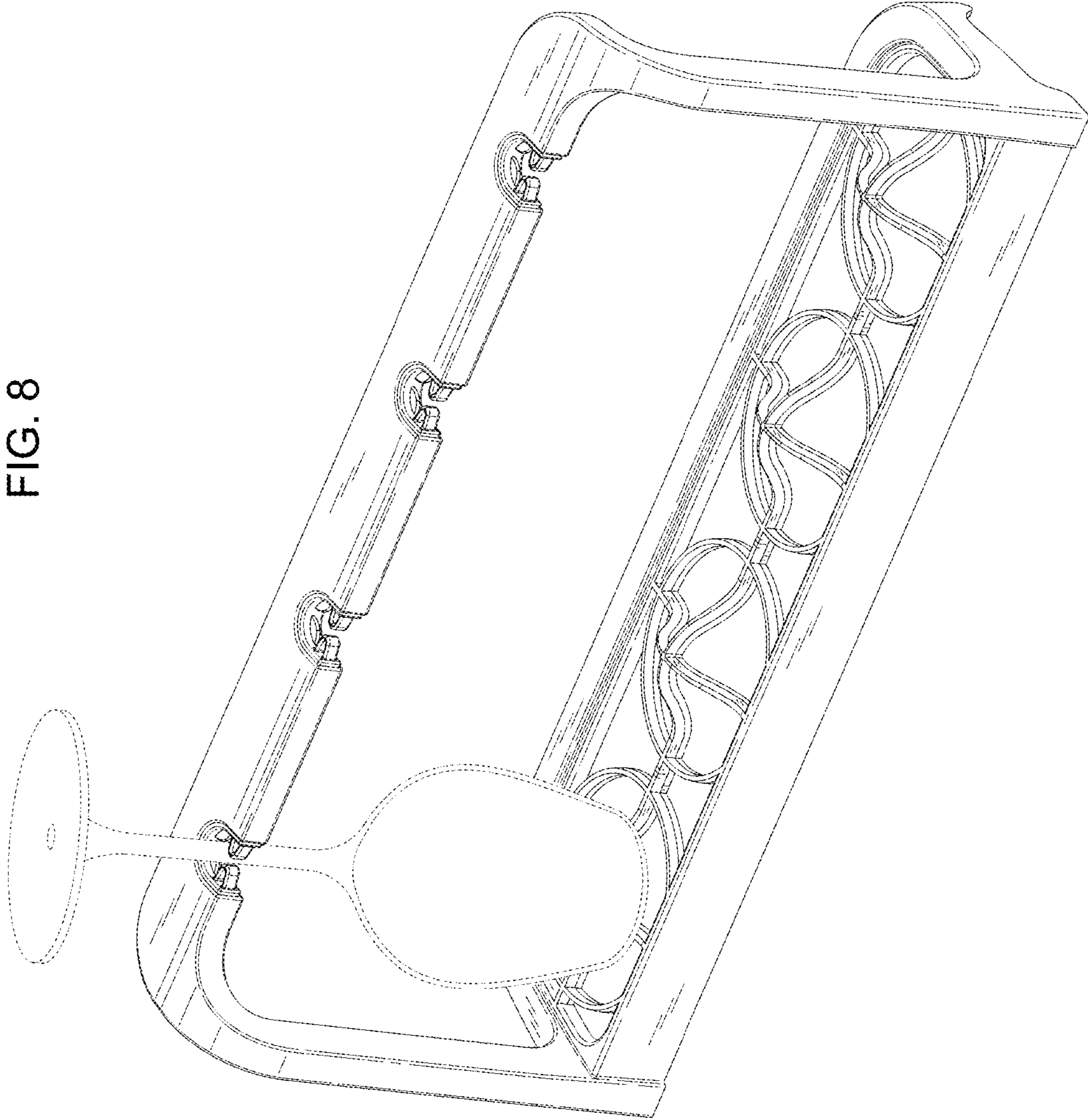


FIG. 9

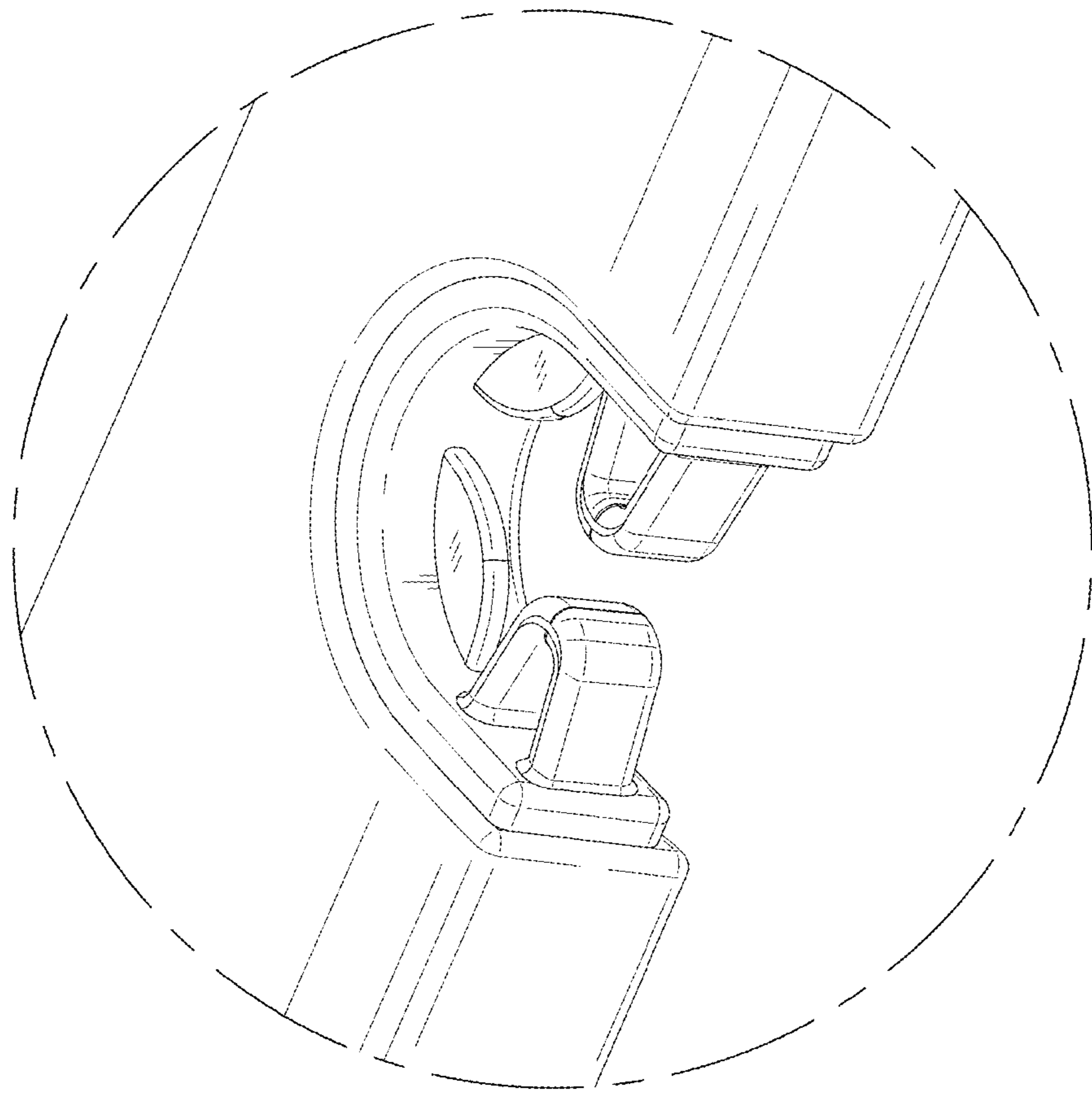


FIG. 11

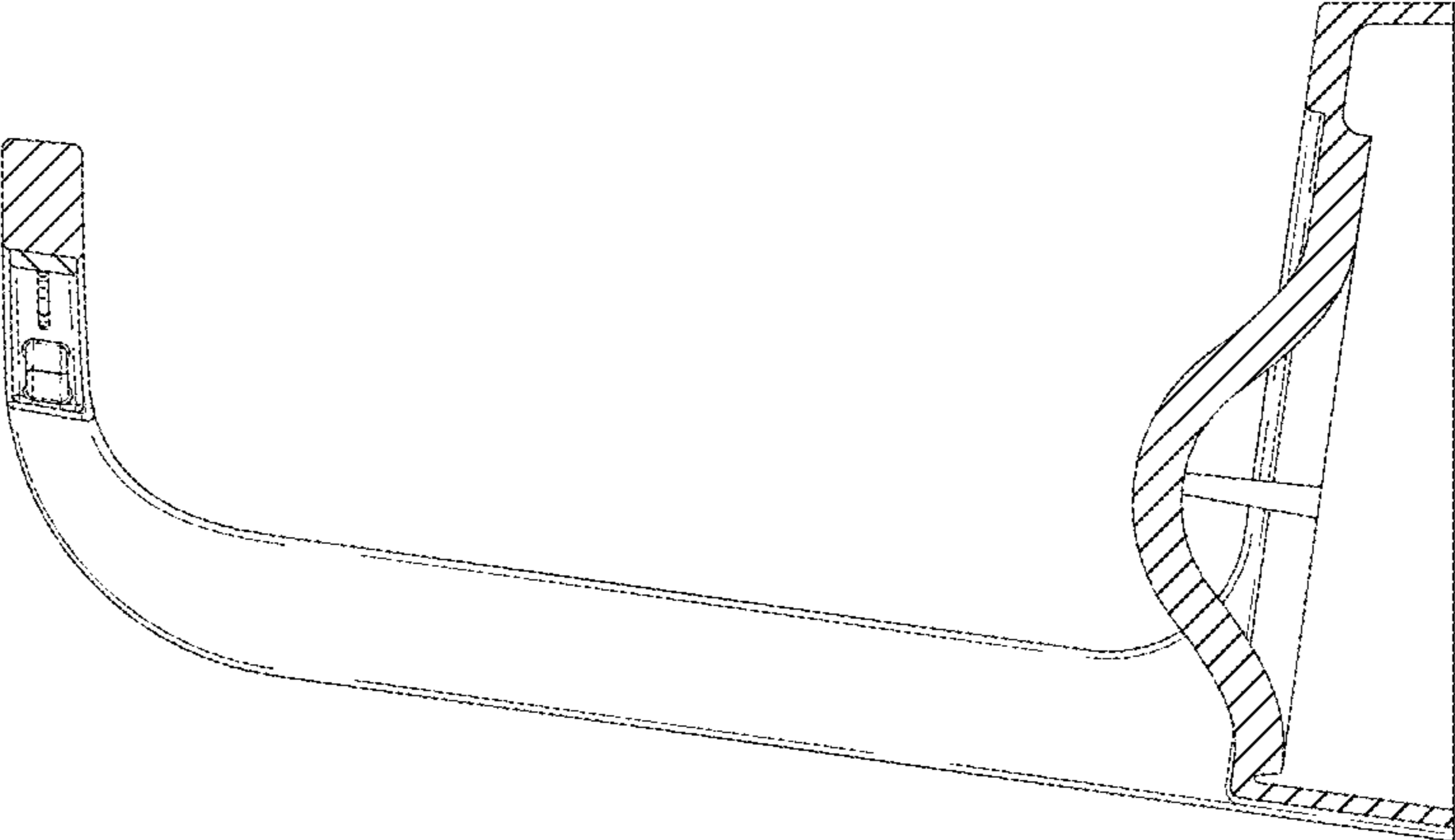


FIG. 10

