



US00D774709S

(12) **United States Design Patent** (10) **Patent No.:** **US D774,709 S**  
**Kellogg** (45) **Date of Patent:** **\*\* Dec. 20, 2016**

(54) **FELINE PLAY STRUCTURE**  
(71) Applicant: **SportPet Designs, Inc.**, Waukesha, WI (US)  
(72) Inventor: **Adam M. Kellogg**, Oconomowoc, WI (US)  
(73) Assignee: **SportPet Designs, Inc.**, Waukesha, WI (US)  
(\*\*) Term: **14 Years**  
(21) Appl. No.: **29/525,887**  
(22) Filed: **May 4, 2015**  
(51) **LOC (10) Cl.** ..... **30-99**  
(52) **U.S. Cl.**  
USPC ..... **D30/160**  
(58) **Field of Classification Search**  
USPC ..... D30/158, 160; D21/826; D11/118  
CPC .... A01K 15/024; A01K 15/025; A01K 15/26;  
A01K 15/27; A61J 17/00; B65D 17/163;  
B65D 17/165  
See application file for complete search history.

4,576,116 A 3/1986 Binkert  
4,611,556 A 9/1986 Frank  
D295,088 S 4/1988 O'Rourke  
D298,577 S 11/1988 Faxon  
4,790,265 A 12/1988 Manson  
D309,639 S \* 7/1990 Knudsen ..... D11/118  
D315,186 S 3/1991 Peterson  
5,050,536 A 9/1991 Baker  
5,054,429 A \* 10/1991 Bradford ..... A01K 15/024  
119/706  
5,148,768 A 9/1992 Hinton  
D331,649 S 12/1992 Saja  
D334,637 S 4/1993 Mitchell  
D334,815 S 4/1993 Bungler  
D336,557 S 6/1993 Wade  
D347,092 S 5/1994 Ravel  
D348,124 S 6/1994 O'Rourke et al.  
D349,783 S 8/1994 Berger  
D355,057 S 1/1995 Northrop et al.  
D406,678 S 3/1999 Rittenhouse  
D444,600 S 7/2001 Spritzer  
D460,222 S 7/2002 DeRaspe-Bolles et al.  
(Continued)

*Primary Examiner* — Cathy Anne MacCormac  
(74) *Attorney, Agent, or Firm* — Ryan Kromholz & Manion, S.C.

(57) **CLAIM**

The ornamental design for a feline play structure, as shown and described.

**DESCRIPTION**

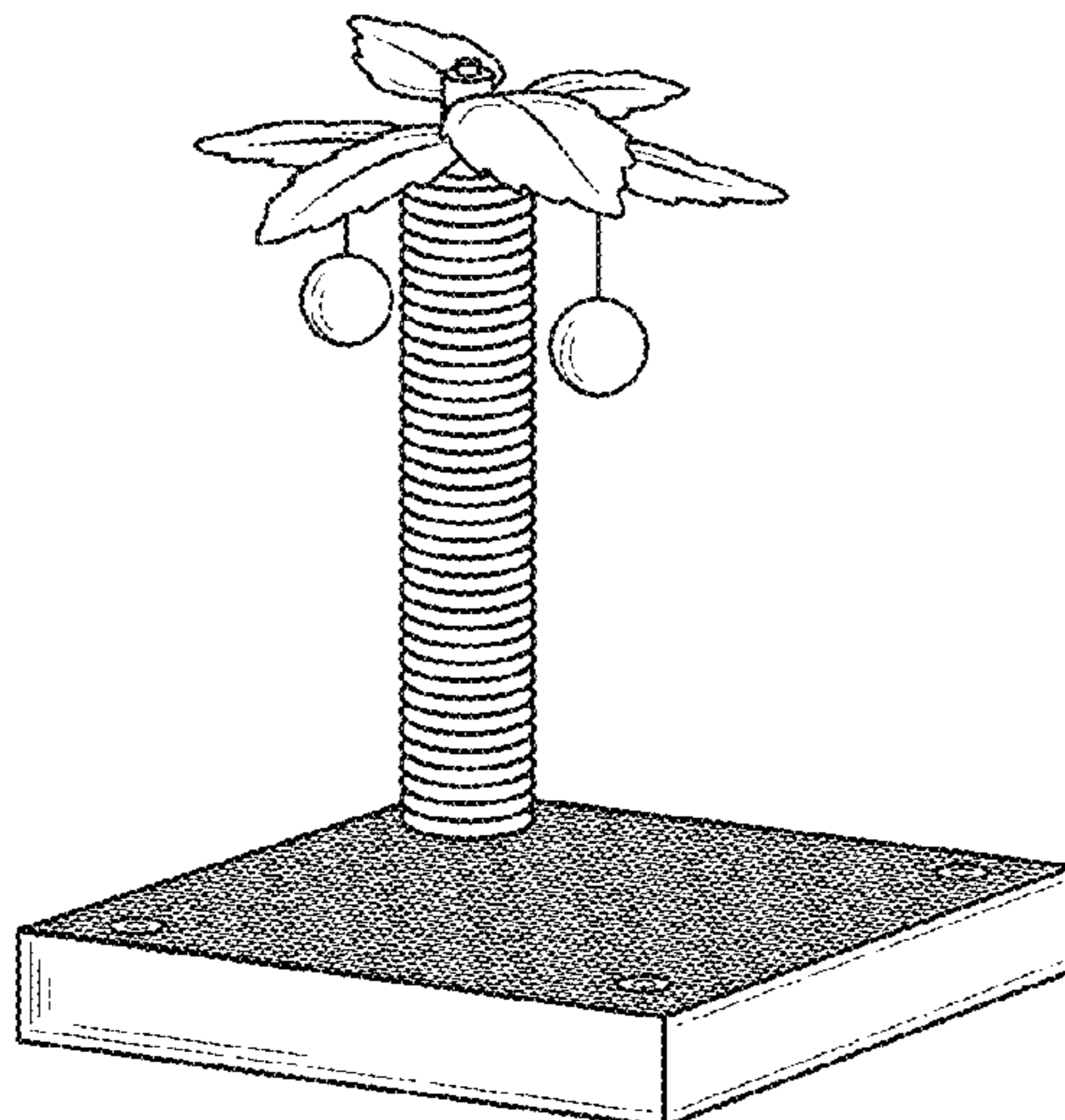
FIG. 1 is a perspective view of the invention;  
FIG. 2 is a front elevation view;  
FIG. 3 is a rear elevation view;  
FIG. 4 is a right side elevation view;  
FIG. 5 is a left side elevation view;  
FIG. 6 is a top plan view; and,  
FIG. 7 is a bottom plan view.

**1 Claim, 2 Drawing Sheets**

(56) **References Cited**

**U.S. PATENT DOCUMENTS**

D159,135 S \* 6/1950 Blaich et al. .... D11/118  
D175,292 S 8/1955 Austgen  
D206,579 S 1/1967 Sherwood  
D228,537 S 10/1973 Jennings  
D235,270 S 6/1975 Borak  
D245,190 S 7/1977 Higo  
4,177,761 A 12/1979 Bellocchi, Jr.  
4,177,763 A 12/1979 Cook  
D257,293 S \* 10/1980 Michalski ..... D30/158  
4,253,423 A 3/1981 Kaplan  
D261,186 S 10/1981 Michalski  
4,517,922 A 5/1985 Lind



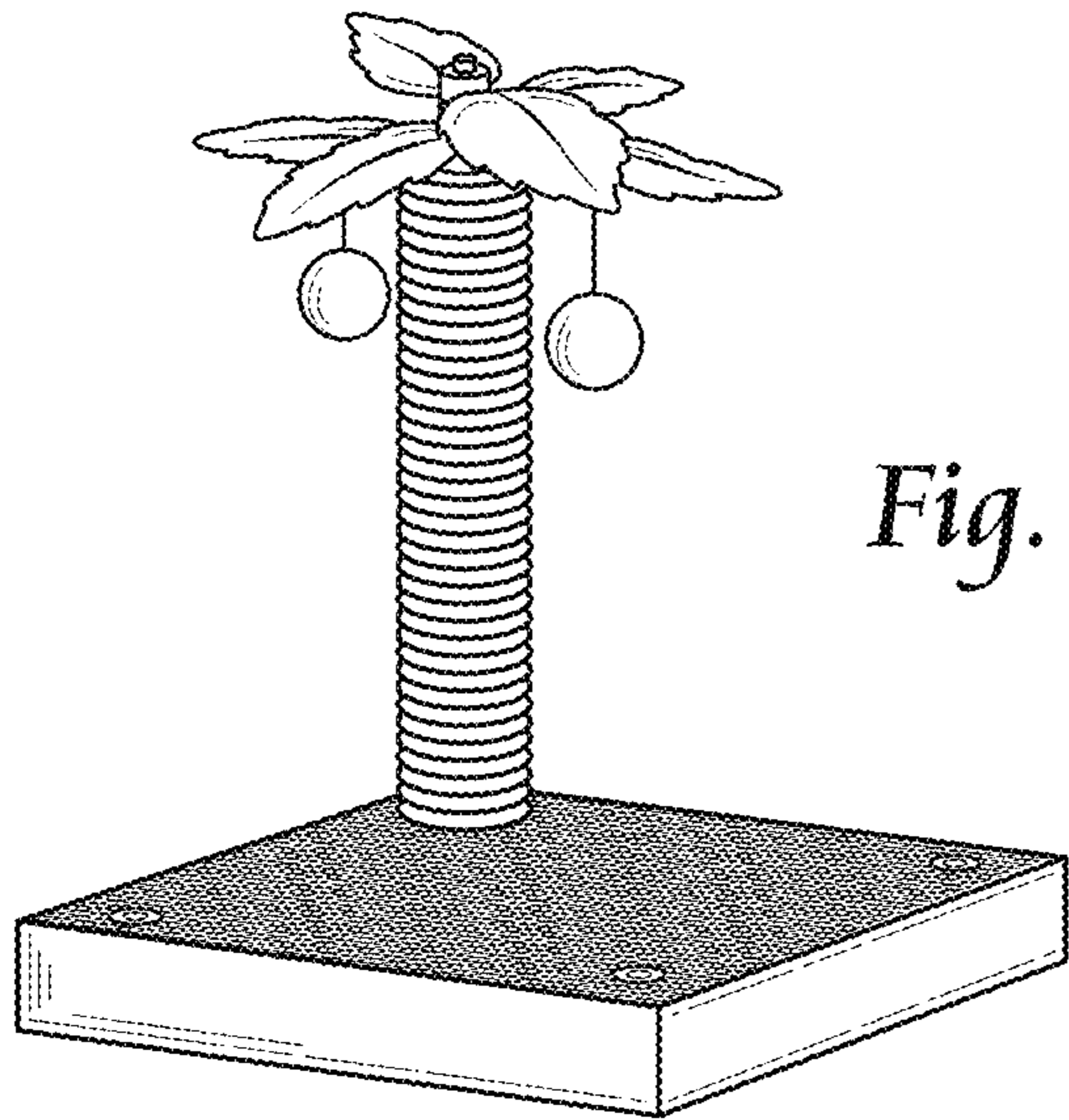
(56)

**References Cited**

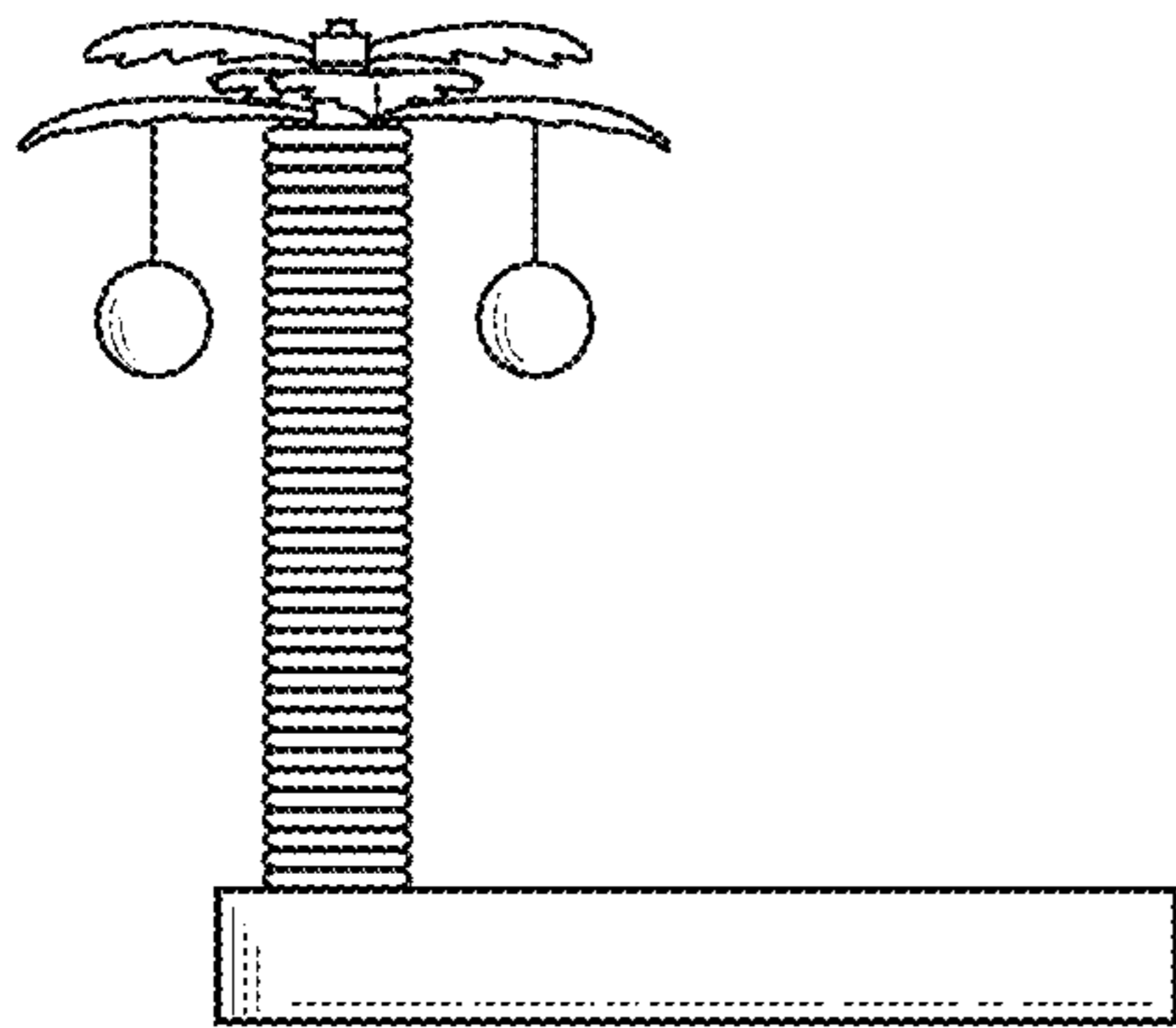
U.S. PATENT DOCUMENTS

D469,583 S	1/2003	Bentzinger	
D501,064 S	1/2005	Williams	
D513,546 S	1/2006	Comerford	
D529,666 S	10/2006	Simpson et al.	
D545,007 S	6/2007	Northrop	
D583,517 S	12/2008	Tycer	
D606,714 S	12/2009	Kellogg et al.	
D607,158 S	12/2009	Kellogg et al.	
D607,159 S	12/2009	Kellogg et al.	
D612,111 S	3/2010	Kellogg et al.	
D614,364 S	4/2010	Kellogg et al.	
D614,820 S	4/2010	Kellogg et al.	
D615,255 S	5/2010	Kellogg et al.	
D616,160 S	5/2010	Kellogg et al.	
D635,307 S *	3/2011	Harmon .....	D30/160
D693,526 S *	11/2013	Harmon .....	D30/160

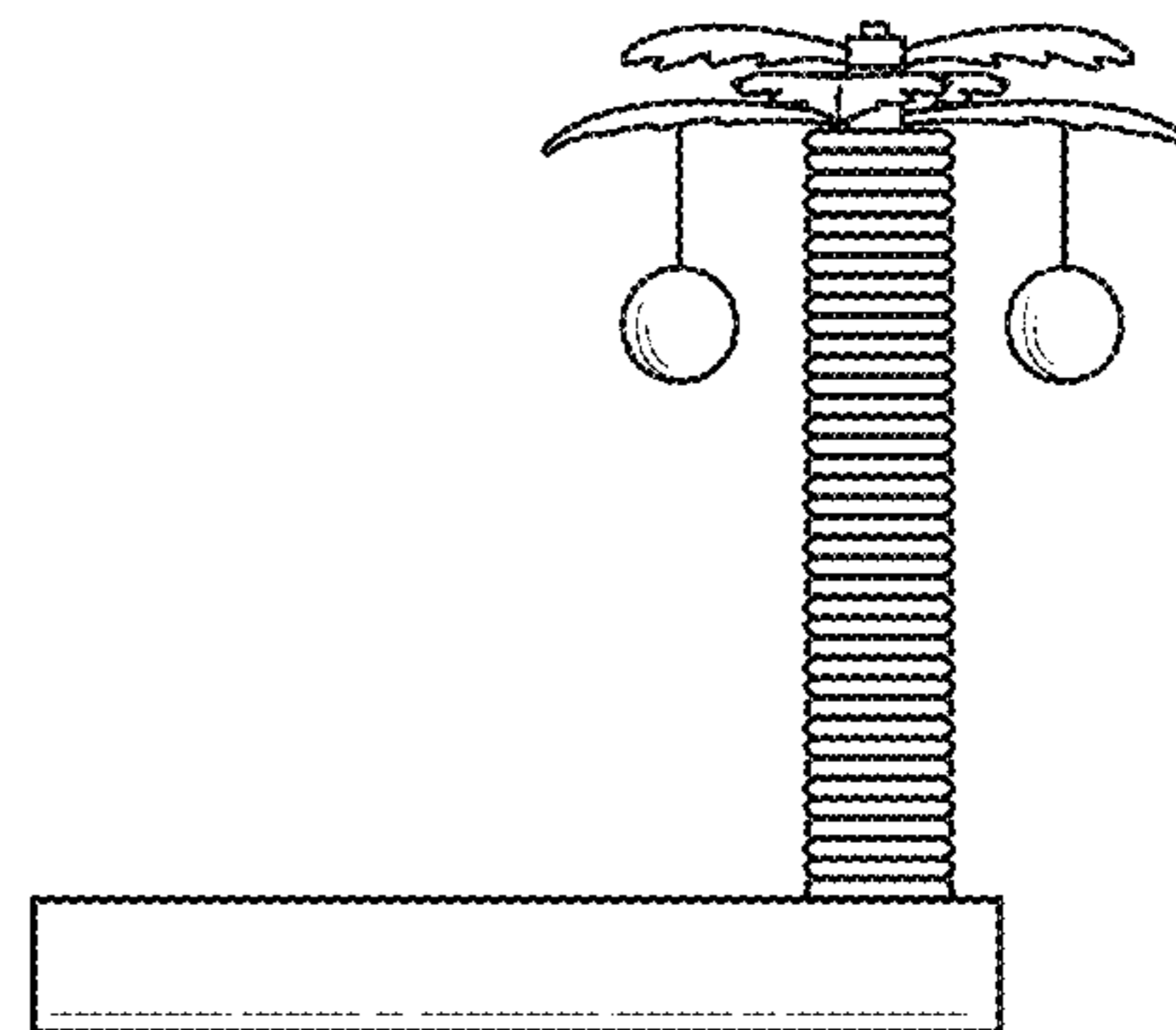
\* cited by examiner



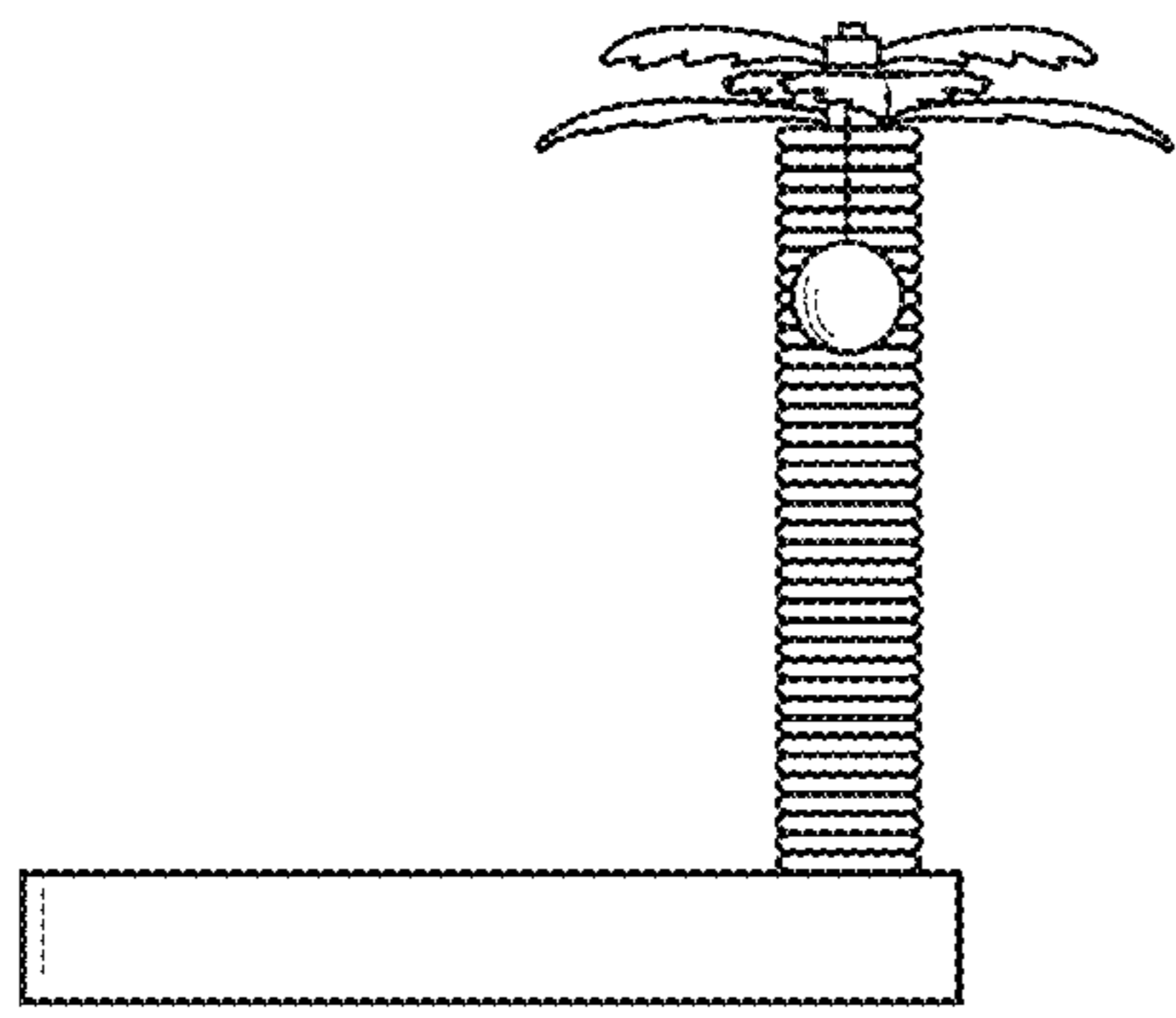
*Fig. 1*



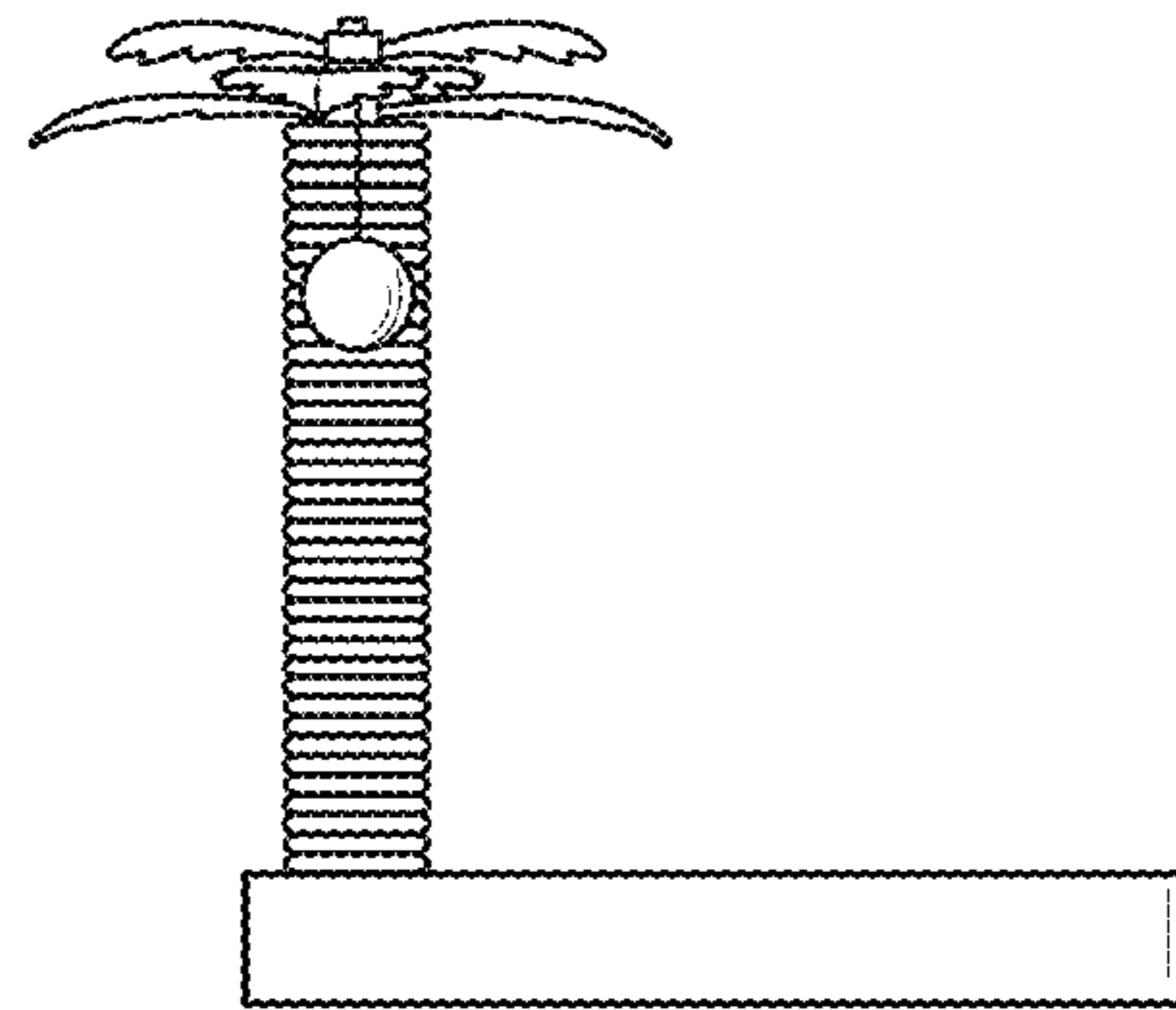
*Fig. 2*



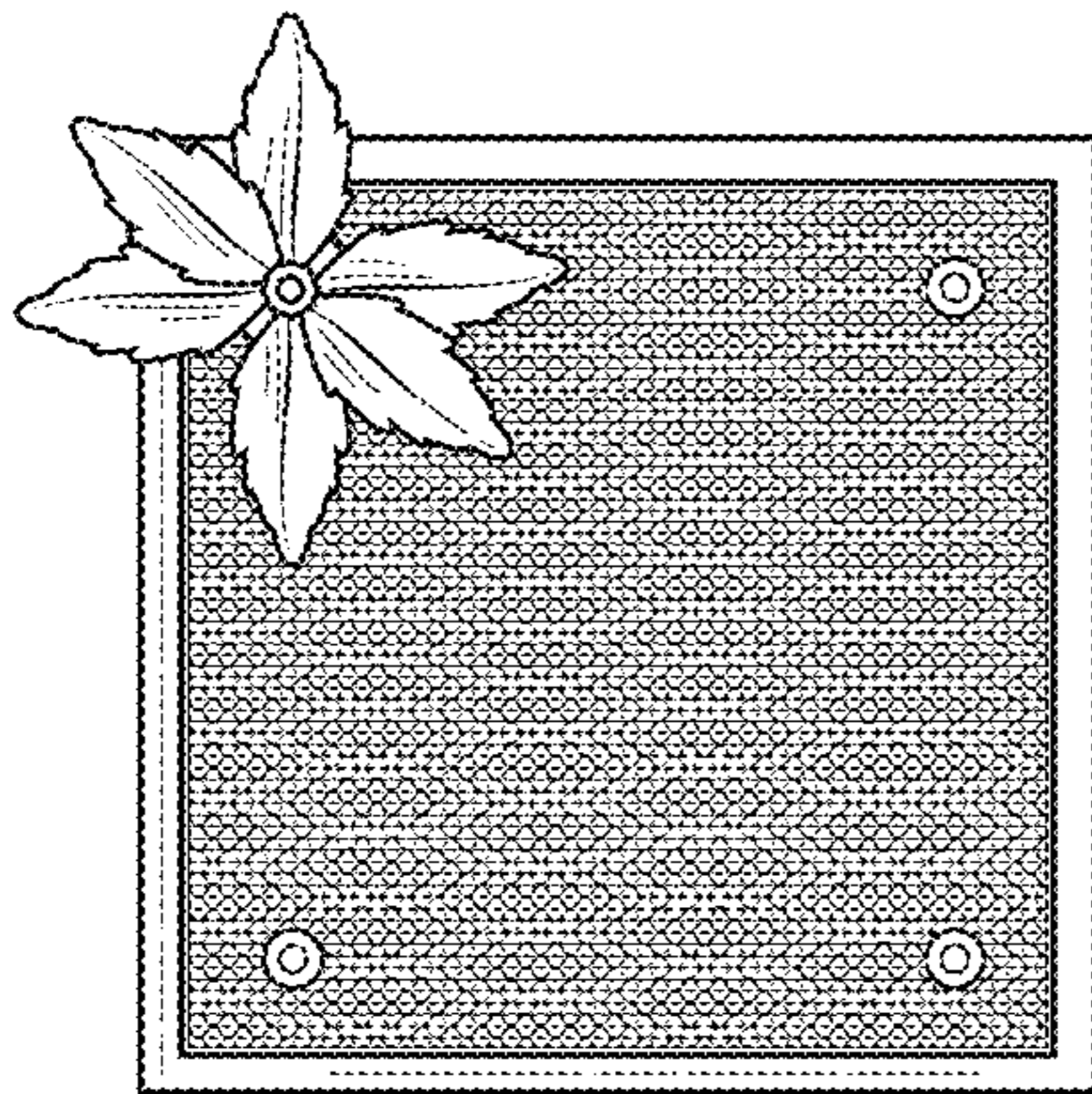
*Fig. 3*



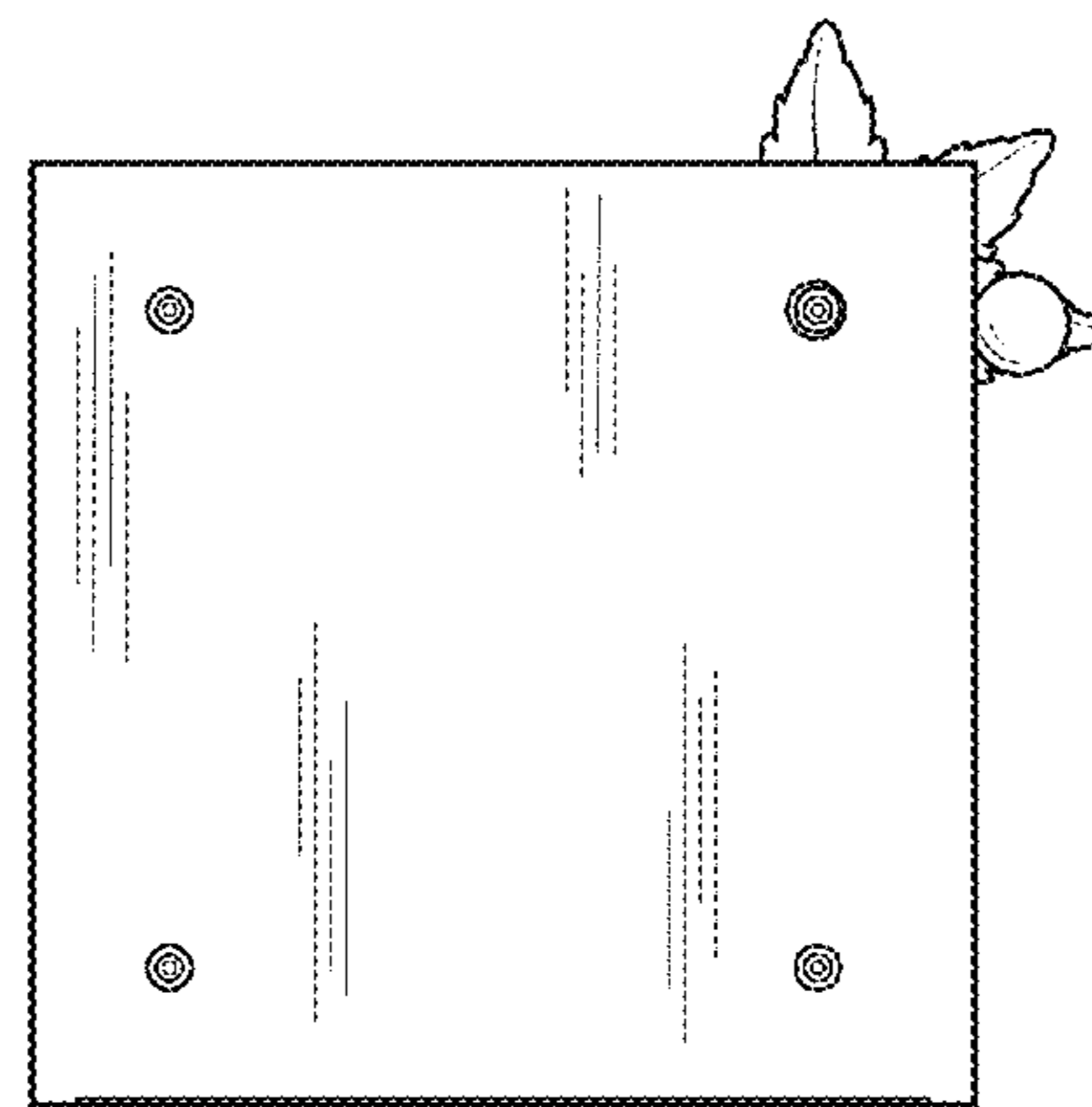
*Fig. 4*



*Fig. 5*



*Fig. 6*



*Fig. 7*