



US00D774703S

(12) **United States Design Patent** (10) **Patent No.:** **US D774,703 S**
Brose et al. (45) **Date of Patent:** **** Dec. 20, 2016**

(54) **RESPIRATOR HELMET OUTER SHELL**

D674,152 S * 1/2013 Daniels D29/122
D674,153 S 1/2013 Daniels
D756,568 S * 5/2016 Scanlon D29/102

(71) Applicant: **SATA GmbH & Co. KG,**
Kornwestheim (DE)

FOREIGN PATENT DOCUMENTS

(72) Inventors: **Jens Brose,** Ottmarsheim (DE); **Ralf Gehrung,** Stuttgart (DE)

EM 001293062-0001 9/2011

(73) Assignee: **SATA GmbH & CO. KG,**
Kornwestheim (DE)

OTHER PUBLICATIONS

(**) Term: **14 Years**

SATA, Your Helmet is our concern, 2009.
Spare Parts SATA Vision 2000, 2012.

(21) Appl. No.: **29/518,409**

* cited by examiner

(22) Filed: **Feb. 24, 2015**

Primary Examiner — Robert Delehanty

(30) **Foreign Application Priority Data**

(74) *Attorney, Agent, or Firm* — Paul D. Bianco; Lourdes Perez; Fleit Gibbons Gutman Bongini & Bianco PL

Aug. 26, 2014 (CN) 2014 3 0308681

(51) **LOC (10) Cl.** **29-03**

(52) **U.S. Cl.**
USPC **D29/122**

(58) **Field of Classification Search**
USPC D29/102, 108, 104, 105, 106, 107, 122;
D2/866, 878, 892, 876
CPC A42B 3/18; A42B 3/22; A42B 1/06;
A42B 1/24; A42B 1/08; A42B
3/288; A42B 3/225; A62B 18/08; A62B
18/00; A62B 18/24; A62B 18/045; A61F
9/06
See application file for complete search history.

(57) **CLAIM**

The ornamental design for a respirator helmet outer shell, as shown and described.

DESCRIPTION

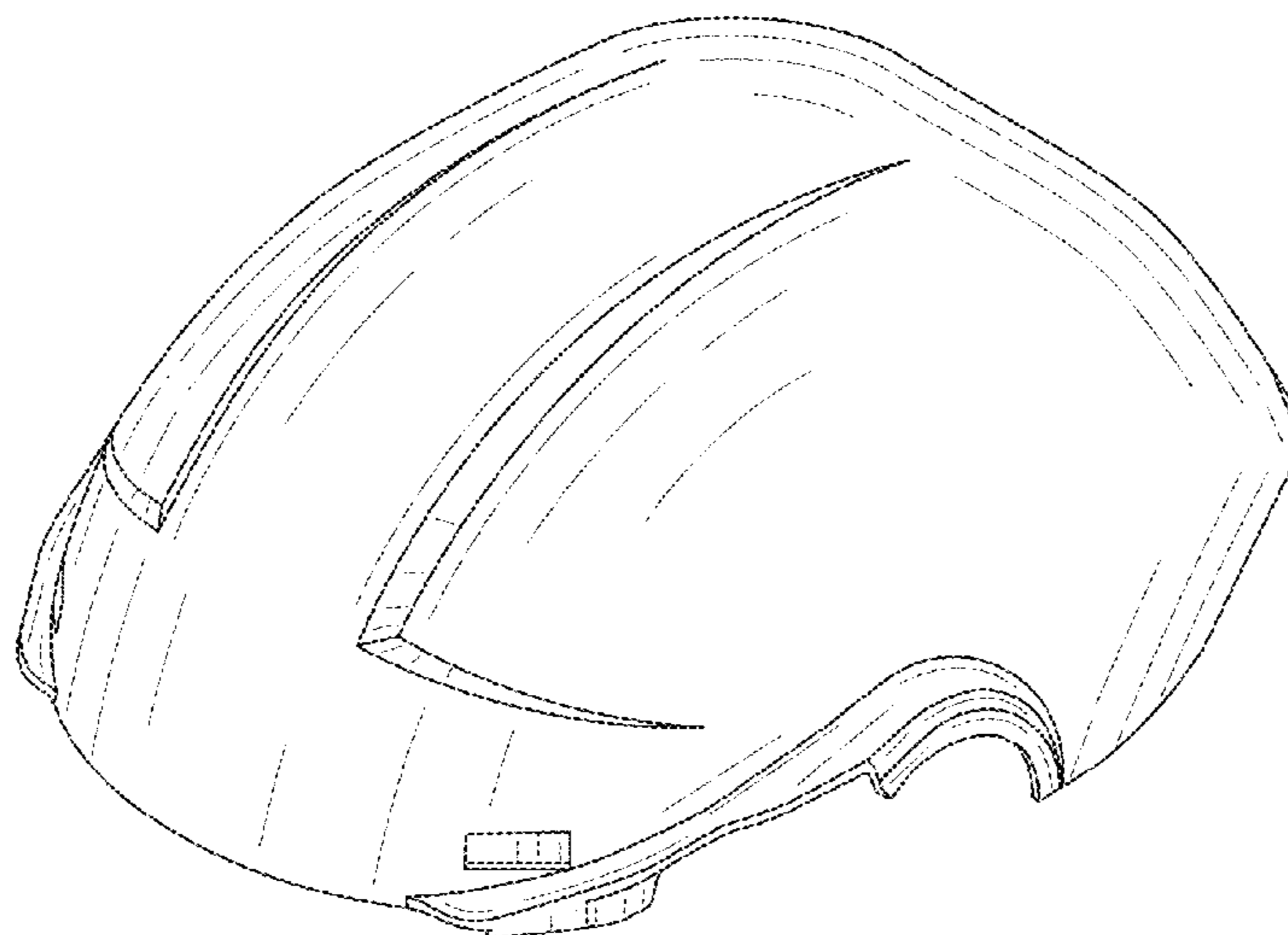
FIG. 1 is a first perspective view of a respirator helmet outer shell according to the present invention;
FIG. 2 is a second perspective view of the respirator helmet outer shell of FIG. 1;
FIG. 3 is a front view of the respirator helmet outer shell of FIG. 1;
FIG. 4 is a back view of the respirator helmet outer shell of FIG. 1;
FIG. 5 is a first side view of the respirator helmet outer shell of FIG. 1;
FIG. 6 is a second side view of the respirator helmet outer shell of FIG. 1; and,
FIG. 7 is a top view of the respirator helmet outer shell of FIG. 1.

(56) **References Cited**

U.S. PATENT DOCUMENTS

5,819,318 A 10/1998 Tse
D638,586 S 5/2011 Aaskov
8,056,152 B2 11/2011 Brace

1 Claim, 4 Drawing Sheets



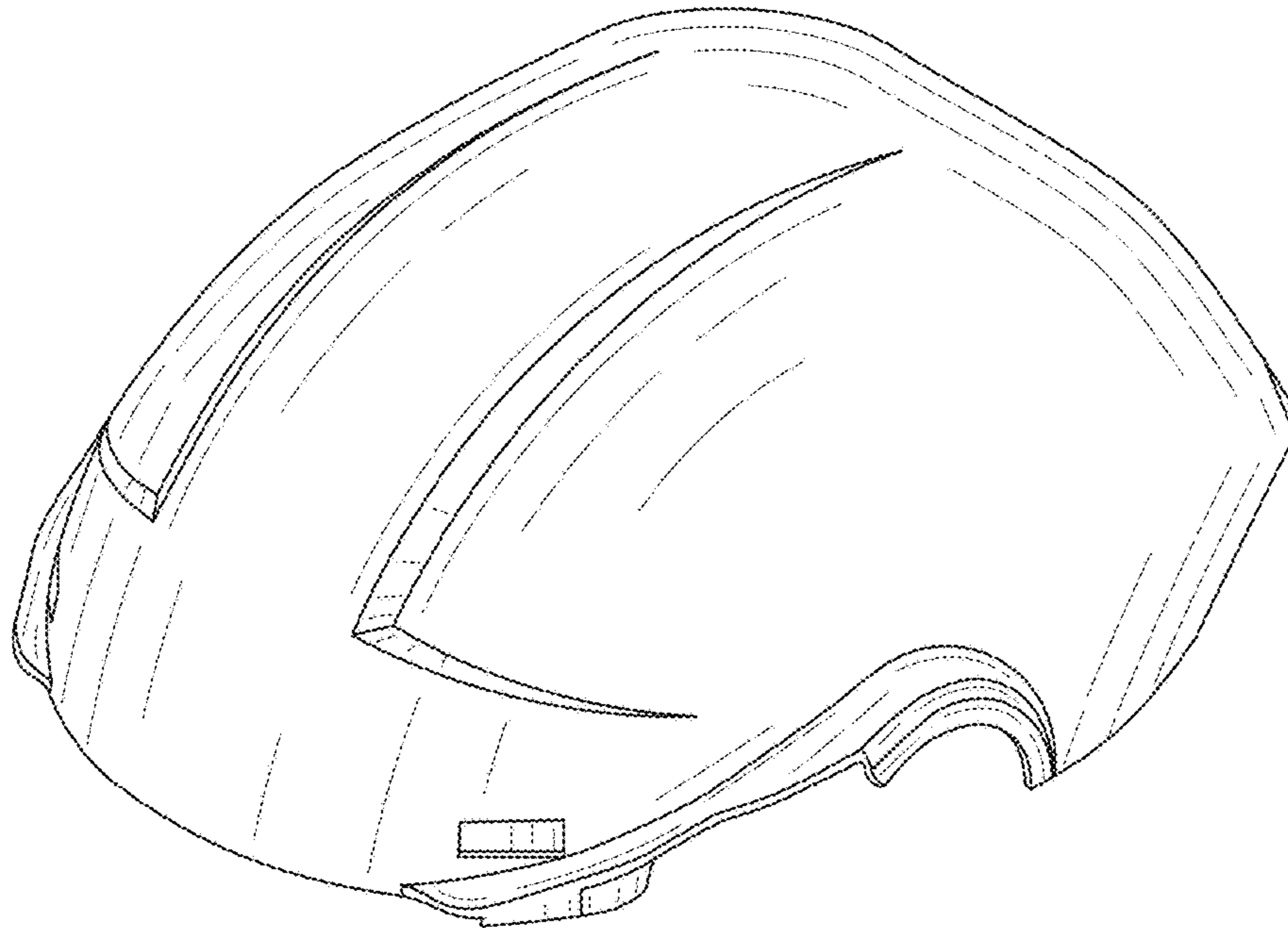


FIG. 1

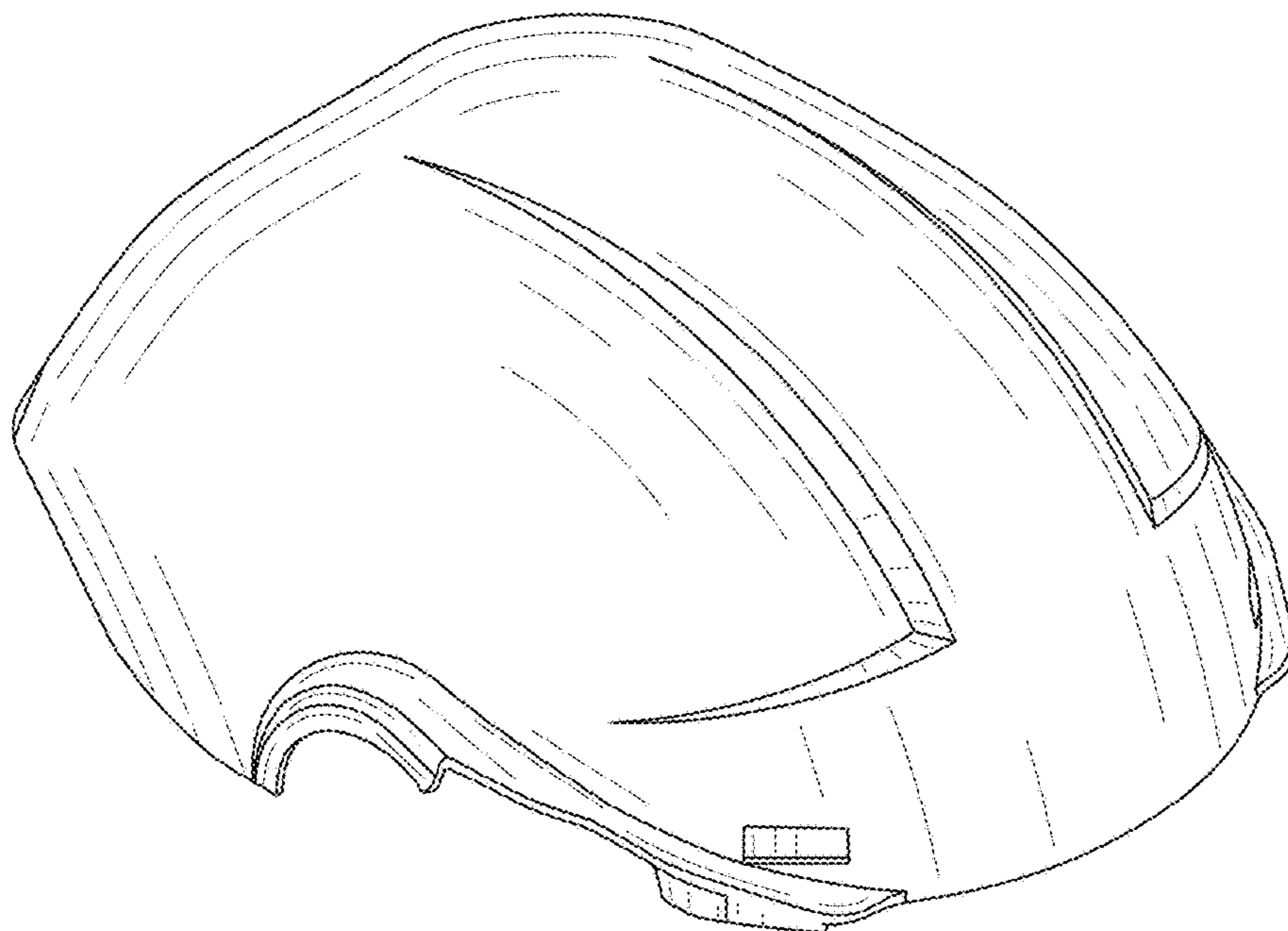


FIG. 2

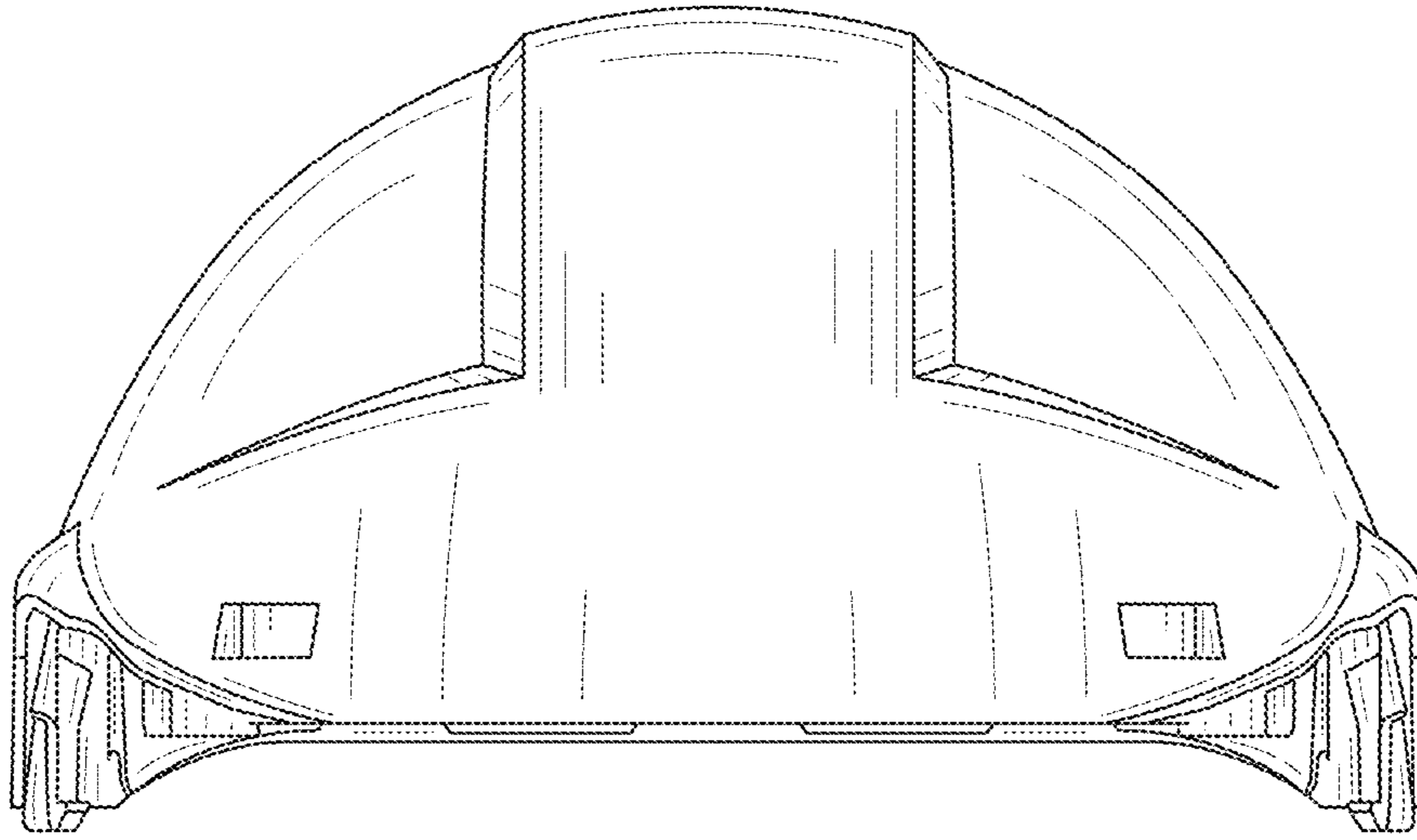


FIG. 3

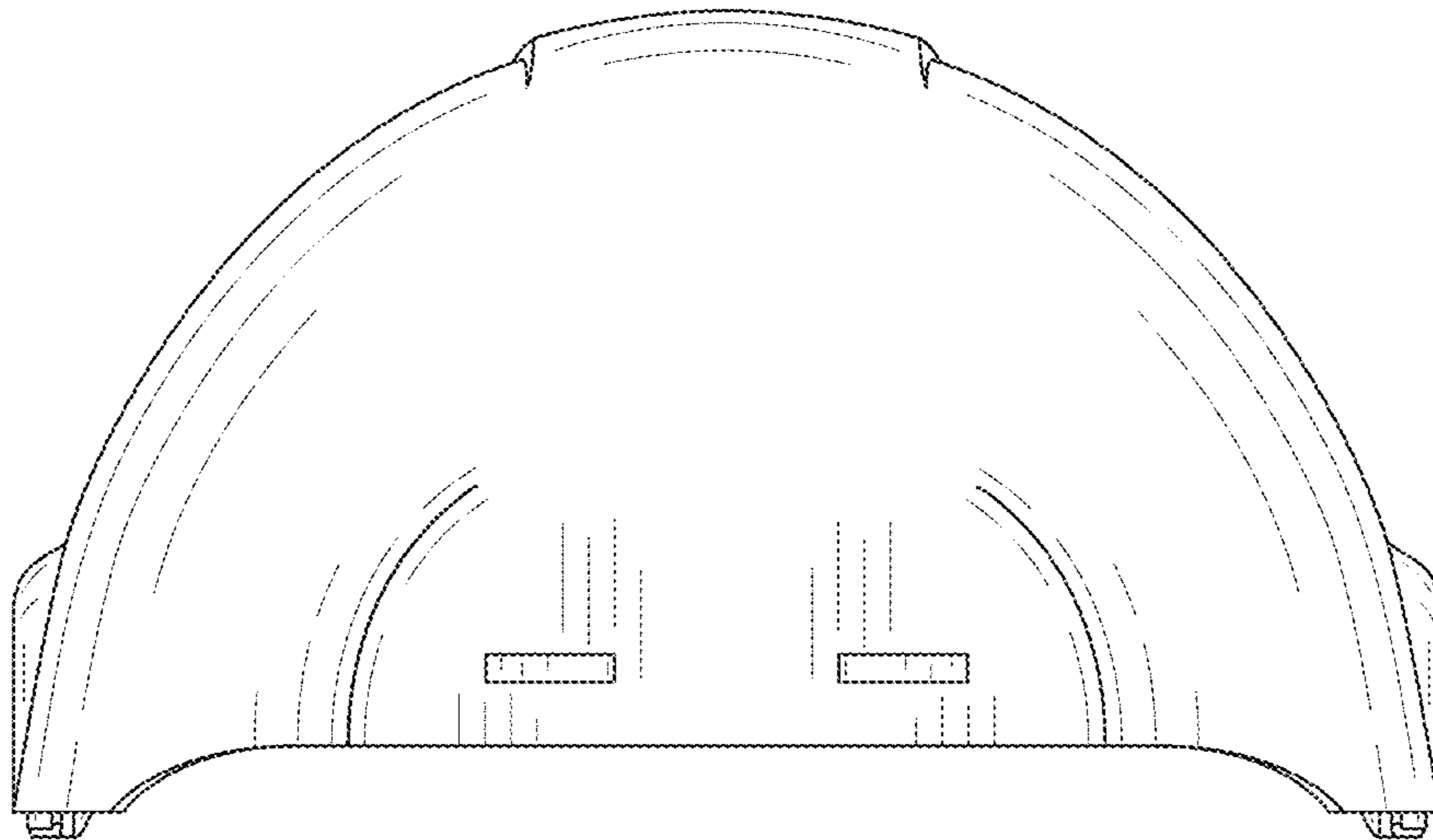


FIG. 4

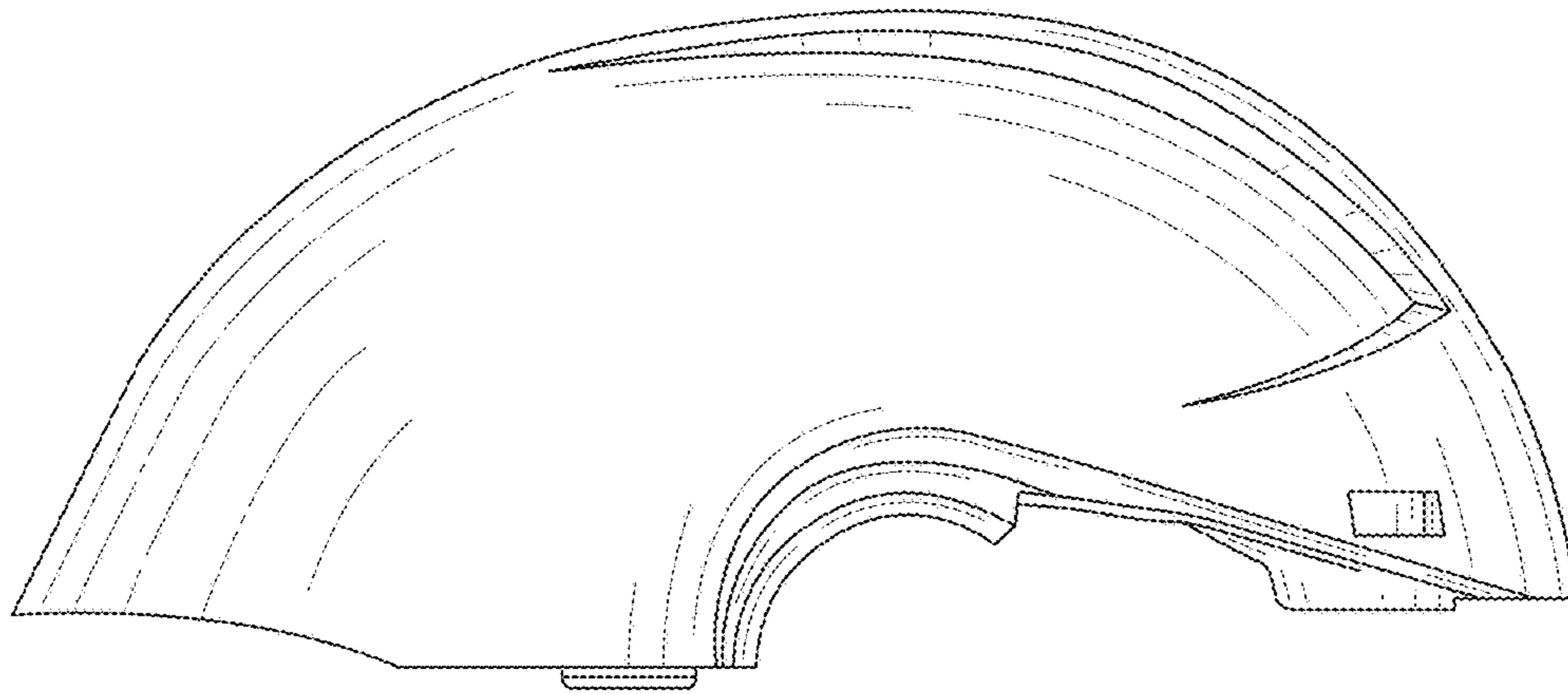


FIG. 5

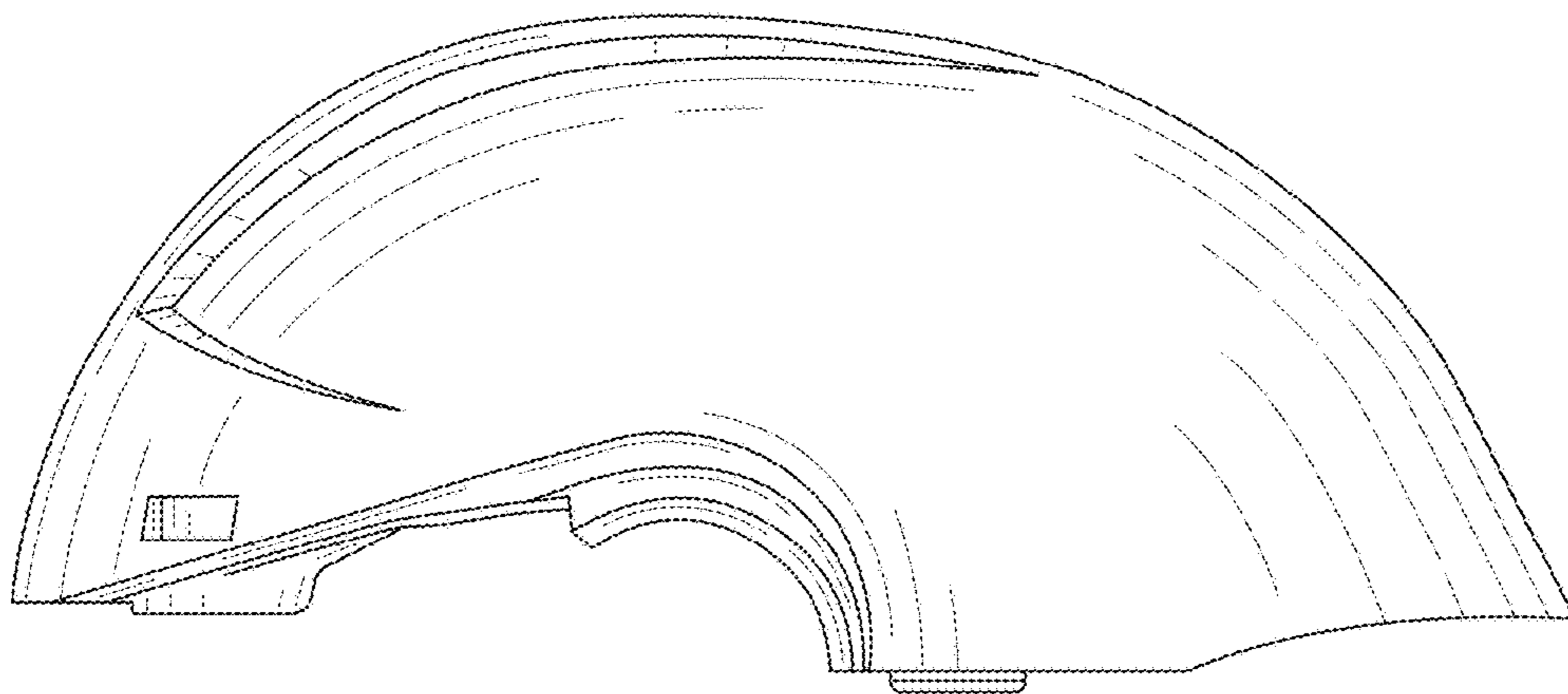


FIG. 6

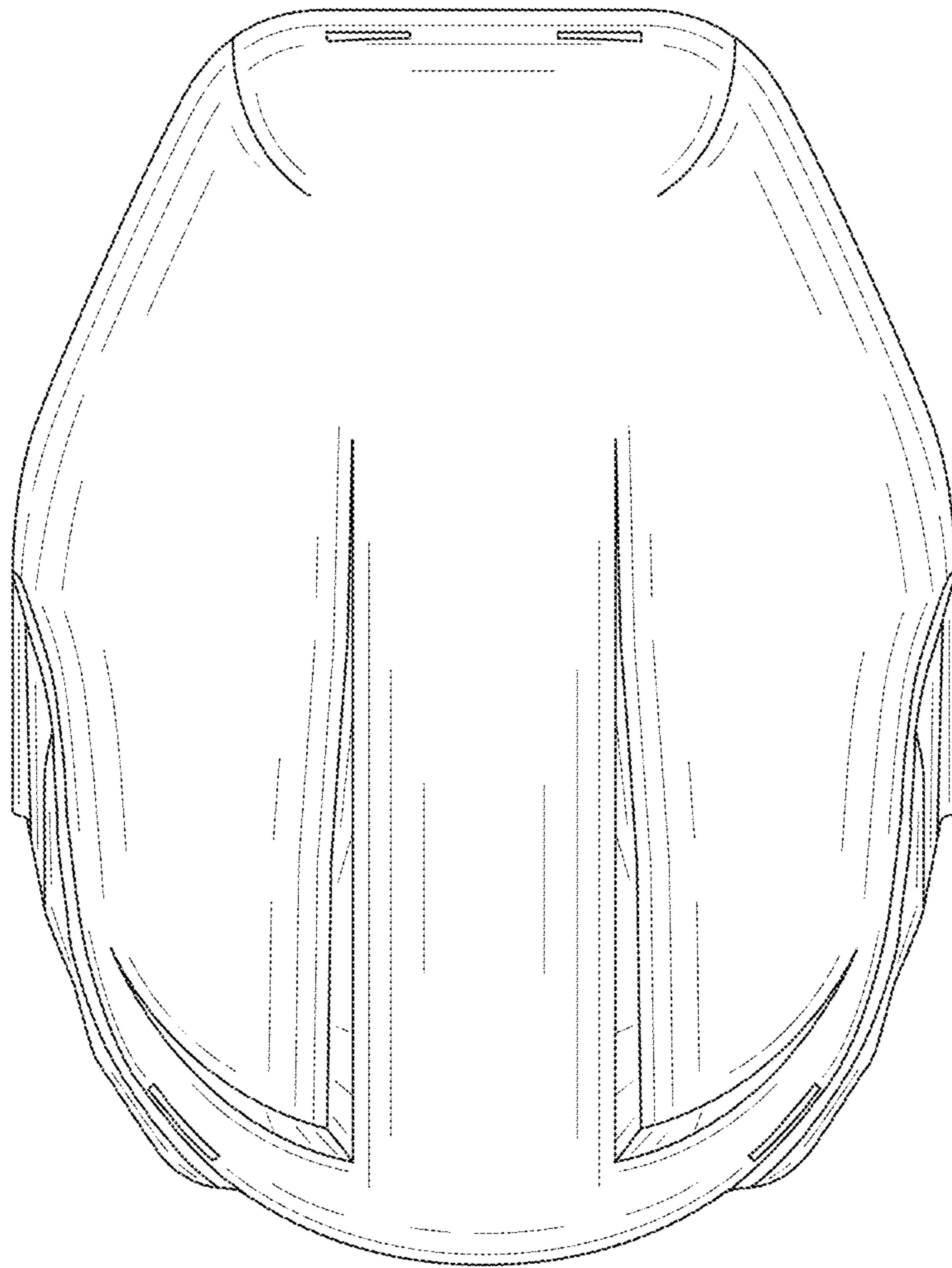


FIG. 7