



US00D774701S

(12) **United States Design Patent**
Yang

(10) **Patent No.:** **US D774,701 S**

(45) **Date of Patent:** **** Dec. 20, 2016**

(54) **WELDING HELMET**

(71) Applicant: **NINGBO GEOSTAR
PHOTOELECTRIC TECHNOLOGY
CO., LTD**, Zhejiang Province (CN)

(72) Inventor: **Zhao Lin Yang**, Zhejiang Province (CN)

(**) Term: **14 Years**

(21) Appl. No.: **29/516,952**

(22) Filed: **Feb. 9, 2015**

(51) **LOC (10) Cl.** **29-02**

(52) **U.S. Cl.**
USPC **D29/110**

(58) **Field of Classification Search**
USPC D29/100, 102, 105, 106, 107, 108, 110,
D29/122; 2/455, 410, 6.3, 6.7, 7, 8.2,
2/424, 425, 15, 427, 431, 432, 9, 171,
2/173, 206; D24/110.1, 110.2, 110.3;
128/857, 858, 201.22, 201.23, 201.24,
128/206.12

CPC A42B 3/225; A42B 3/18; A42B 3/20;
A42B 3/32; A42B 3/322; A42B
3/324; A42B 3/326; A42B 3/328; F41H
1/04; F41H 1/06; F41H 1/08; A41B 3/00;
A61F 9/06; A61F 9/061; A61F
9/062; A61F 9/064; A63B 71/10; A63B
2071/105; A63B 71/08; A63B 71/081

See application file for complete search history.

(56) **References Cited**

U.S. PATENT DOCUMENTS

D584,858 S * 1/2009 Wang D29/110

D654,225 S * 2/2012 Wu D29/110
D668,327 S * 10/2012 Sumner D24/110.2
D669,227 S * 10/2012 Wang D29/110
D677,436 S * 3/2013 Juhlin D29/122
D700,402 S * 2/2014 Zhou D29/110
8,806,662 B2 * 8/2014 Huh A61F 9/067
2/8.2
8,826,464 B2 * 9/2014 Wu A61F 9/06
2/8.2

* cited by examiner

Primary Examiner — Randall Gholson

(74) *Attorney, Agent, or Firm* — Prakash Nama; Global IP Services, PLLC

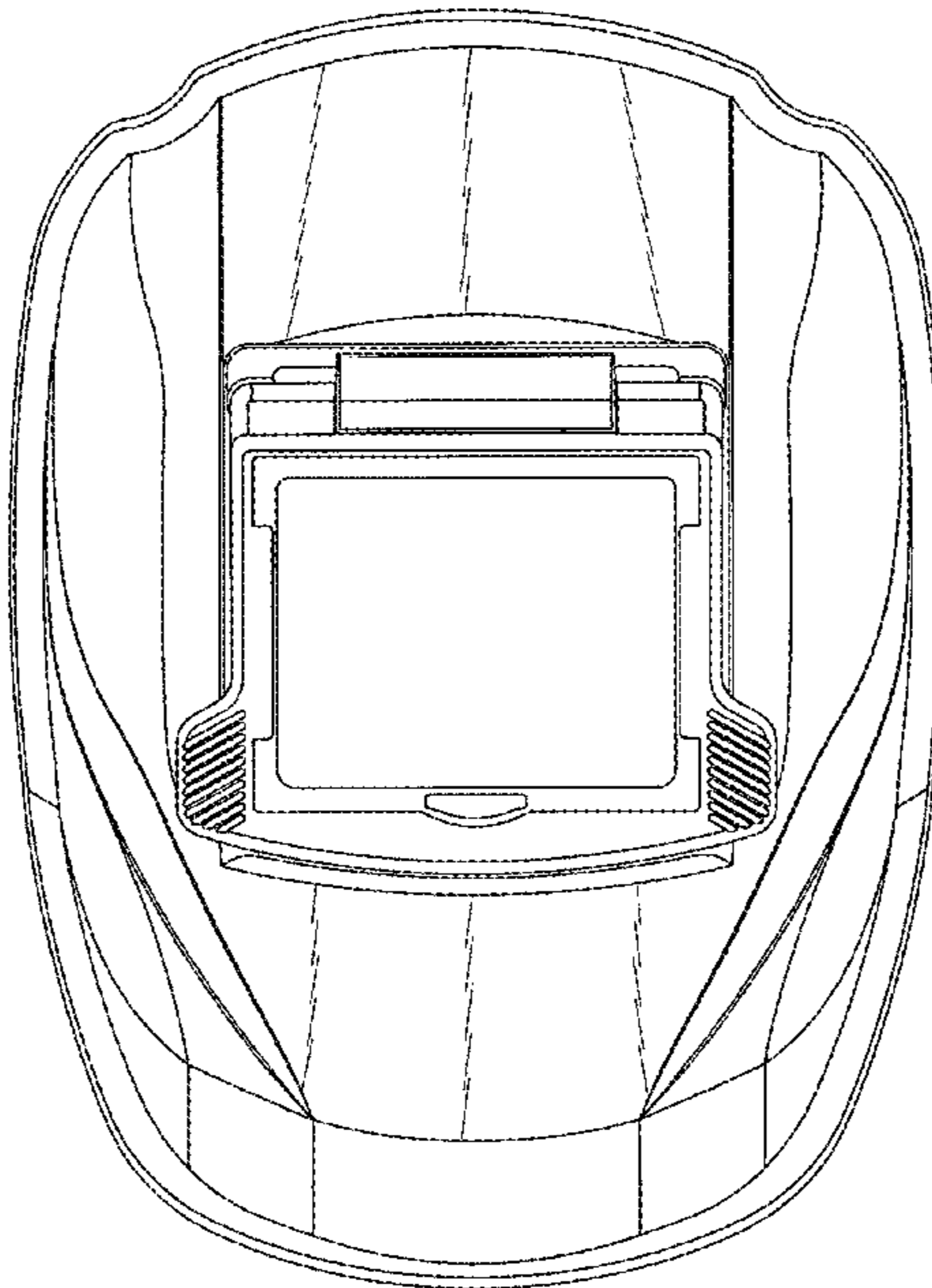
(57) **CLAIM**

The ornamental design for a welding helmet, as shown and described.

DESCRIPTION

FIG. 1 is a front elevational view of a welding helmet showing my new design;
FIG. 2 is a rear elevational view thereof;
FIG. 3 is a left side view thereof;
FIG. 4 is a right side view thereof;
FIG. 5 is a top plan view thereof;
FIG. 6 is a bottom plan view thereof;
FIG. 7 is a perspective view thereof; and,
FIG. 8 is another perspective view thereof.
The broken lines depict portions of the welding helmet that form no part of the claimed design.

1 Claim, 8 Drawing Sheets



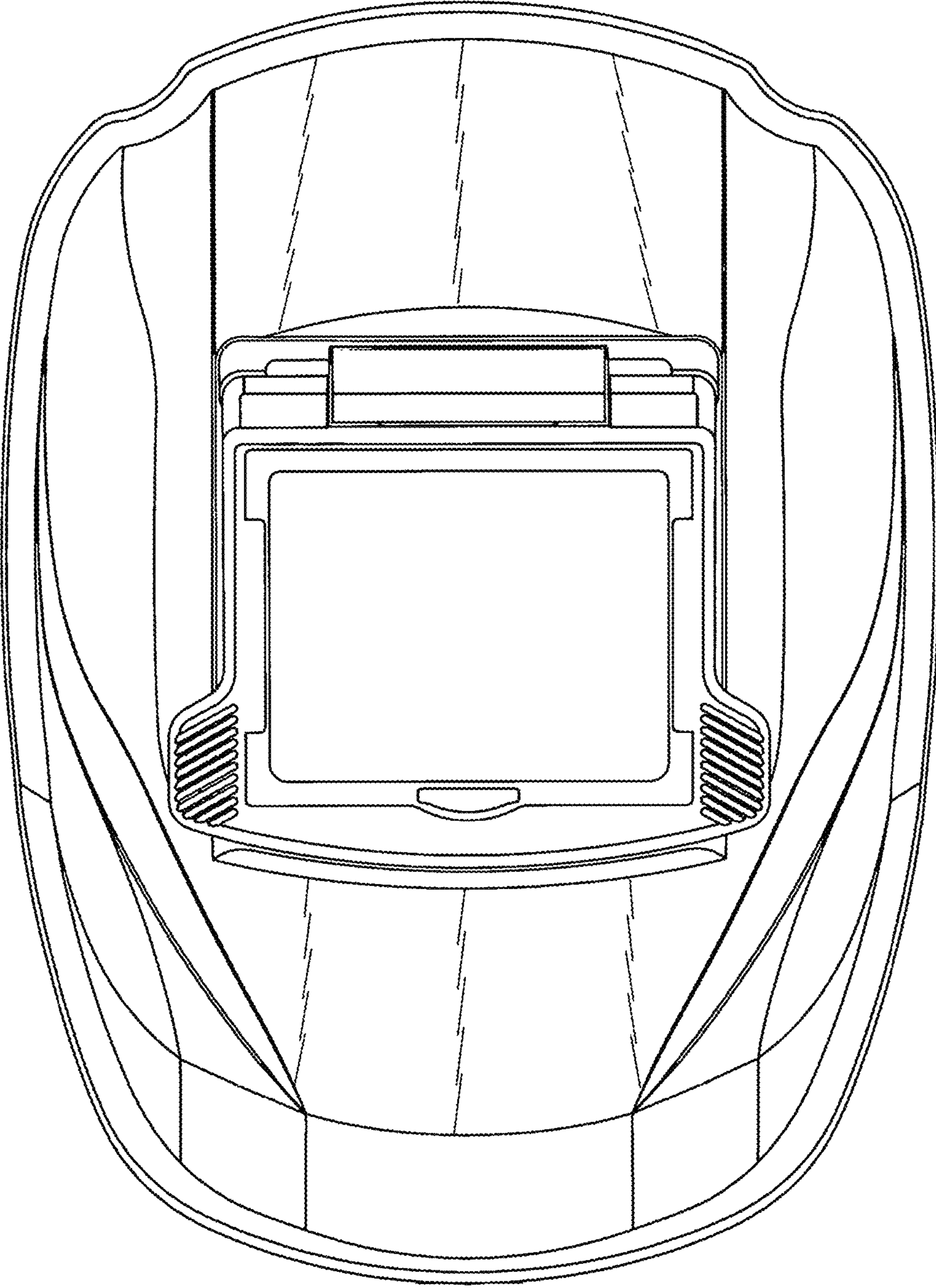


FIG. 1

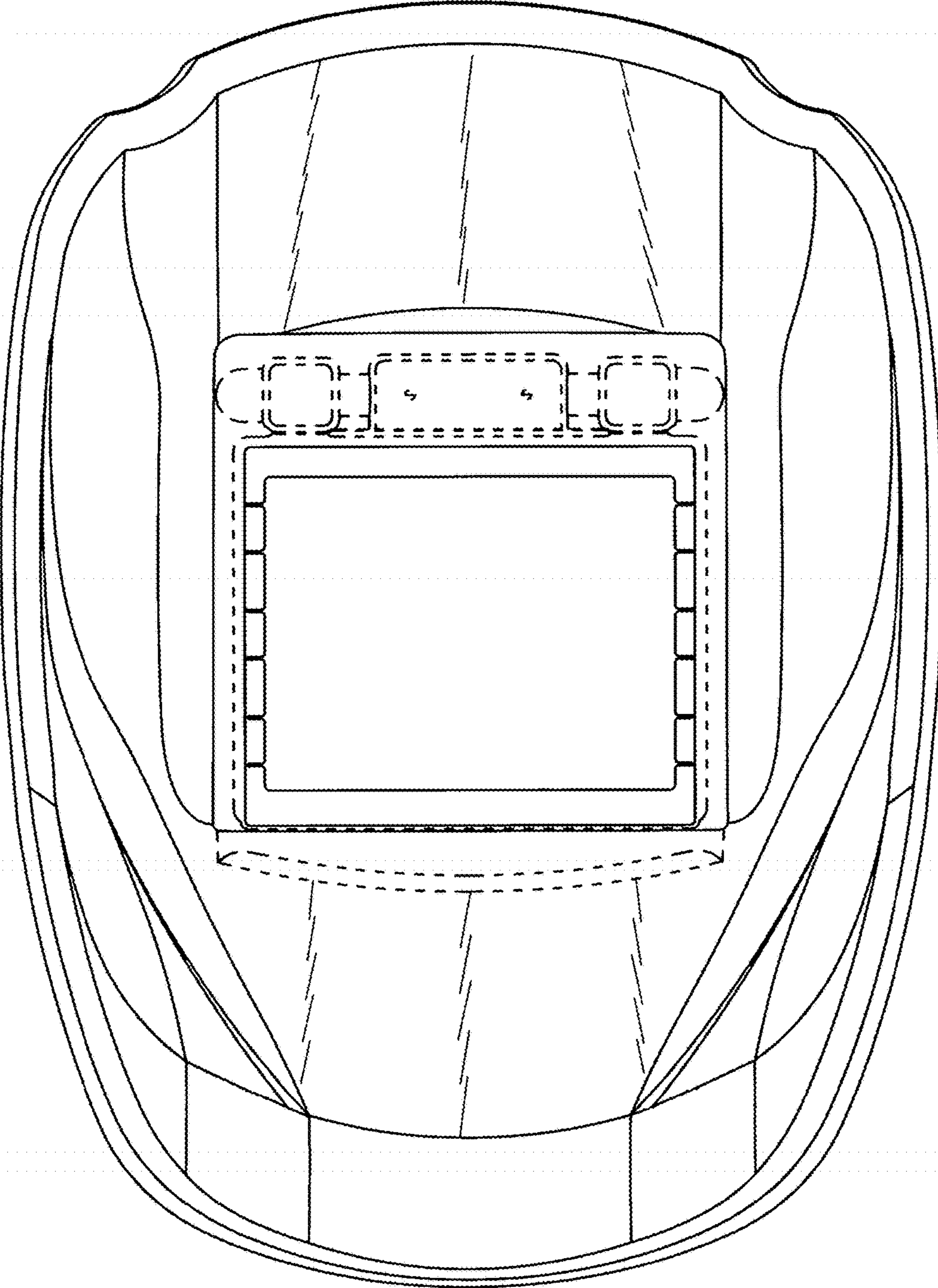


FIG. 2

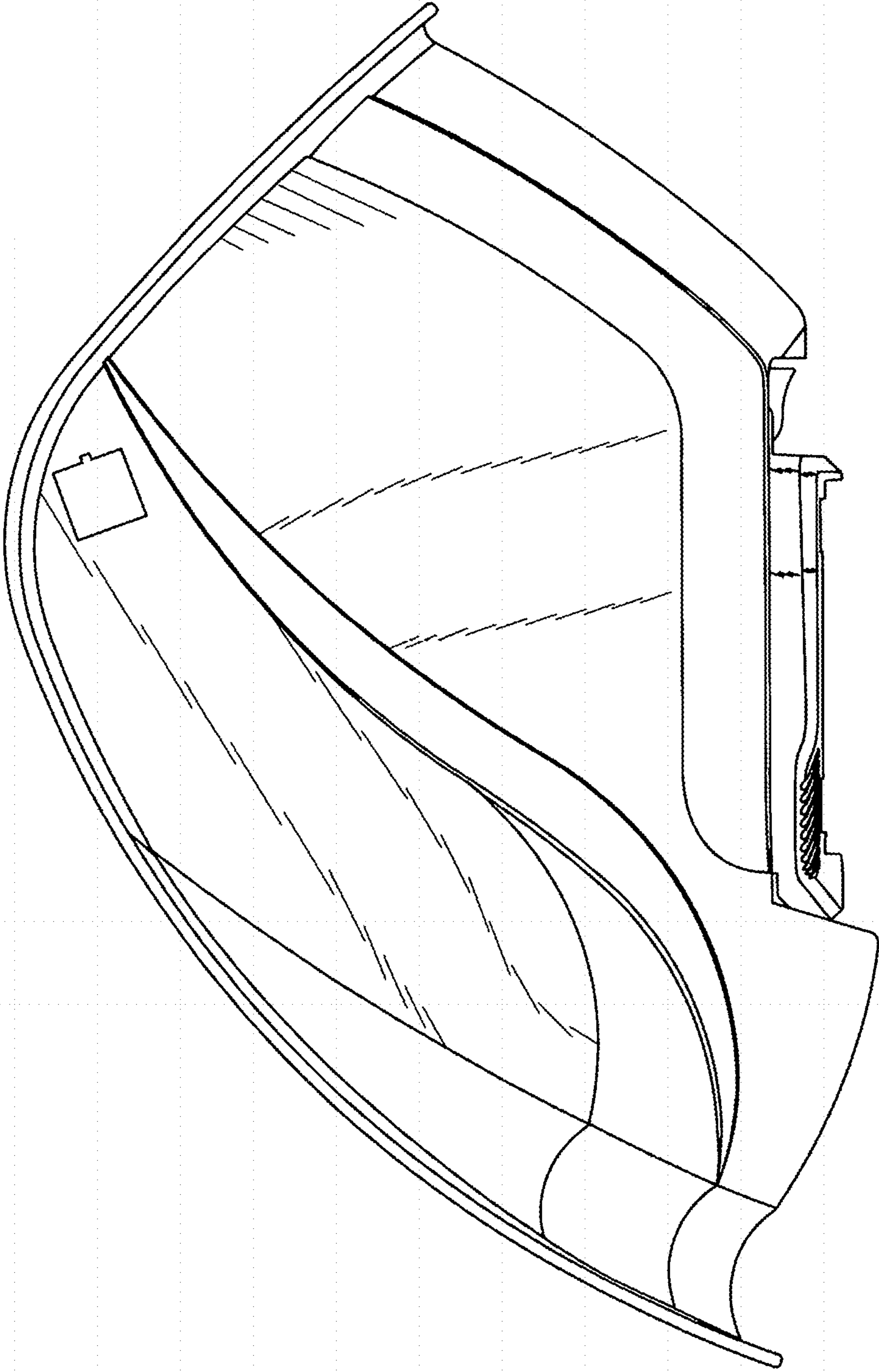


FIG. 3

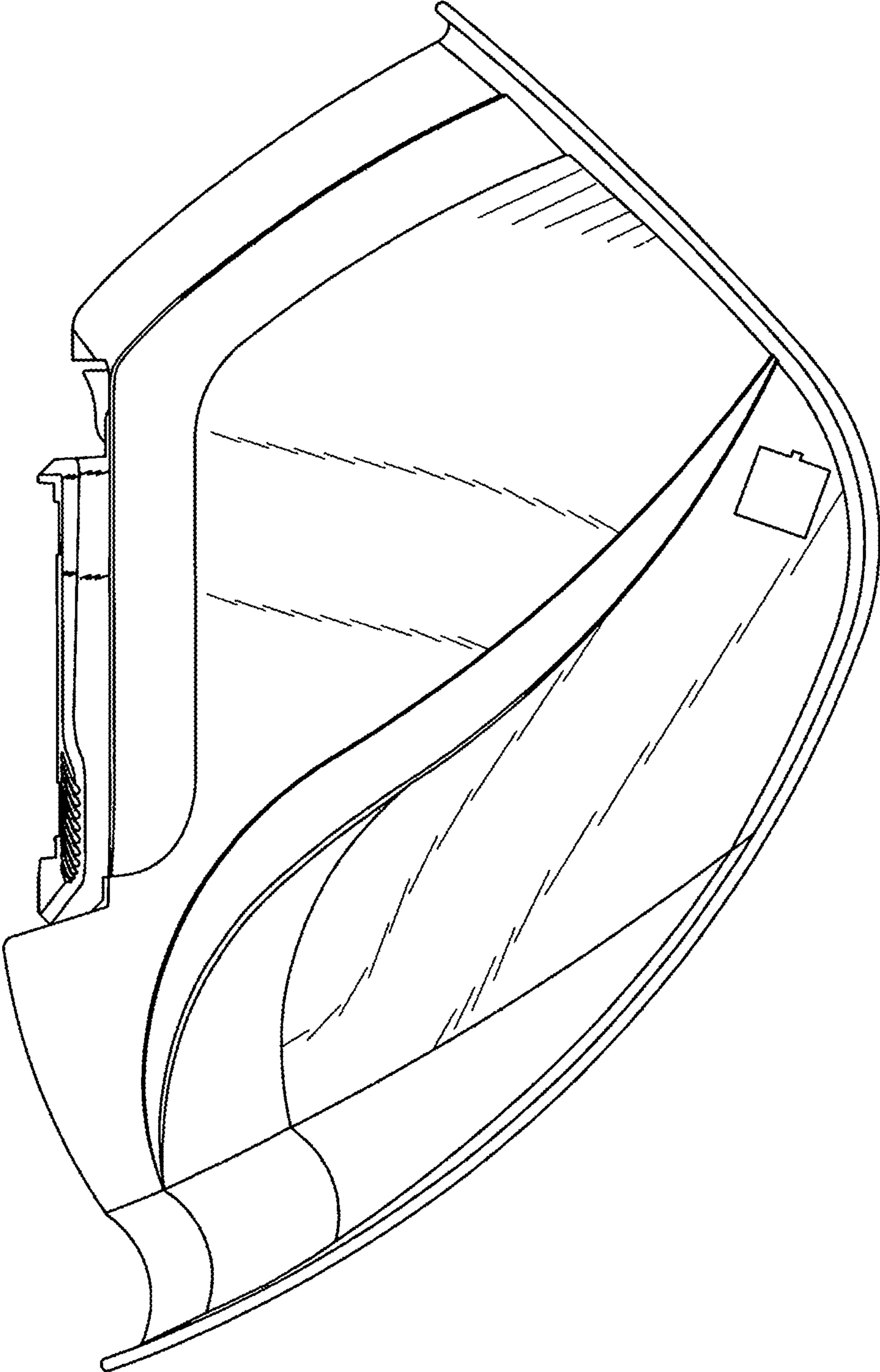


FIG. 4

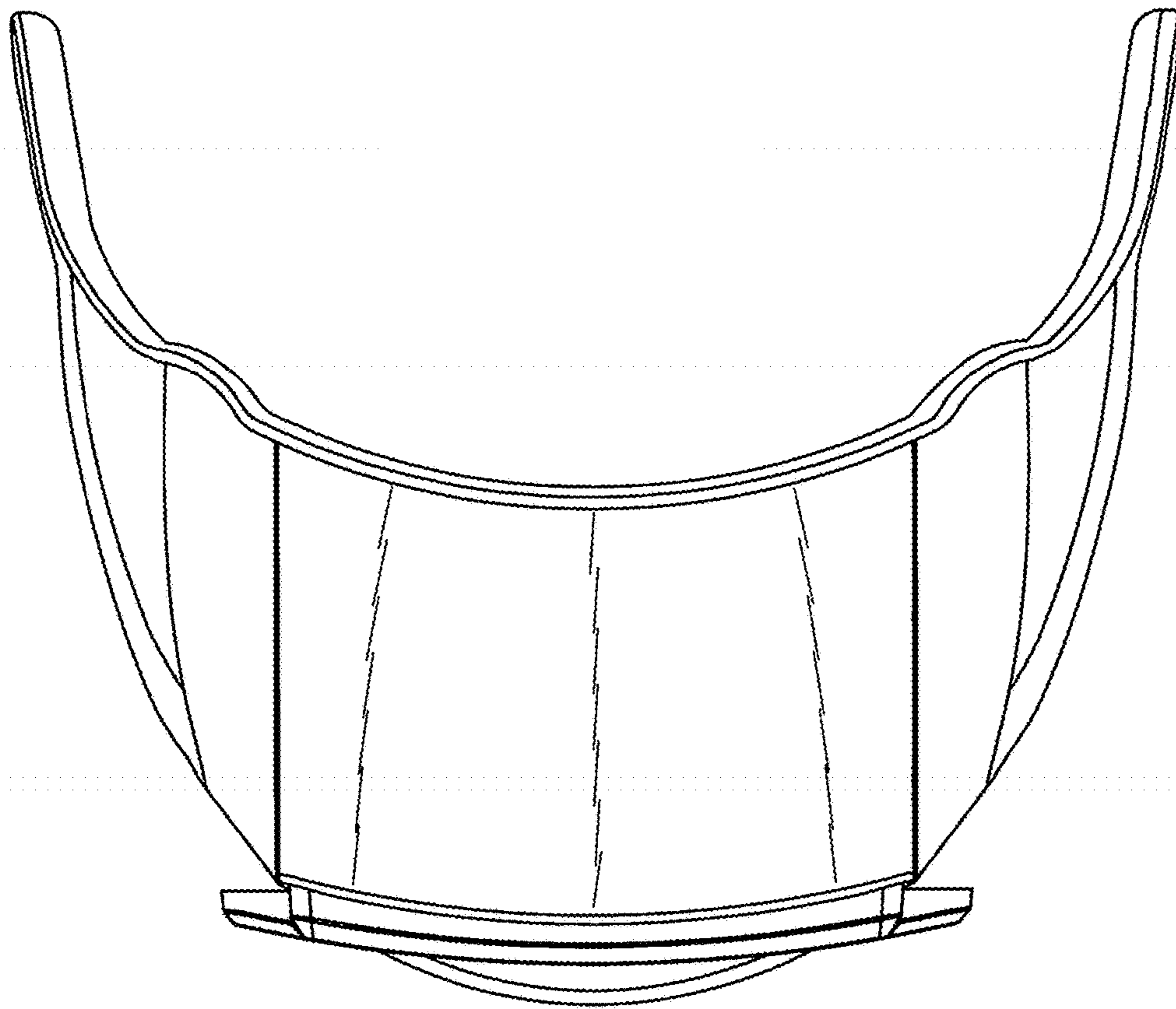


FIG. 5

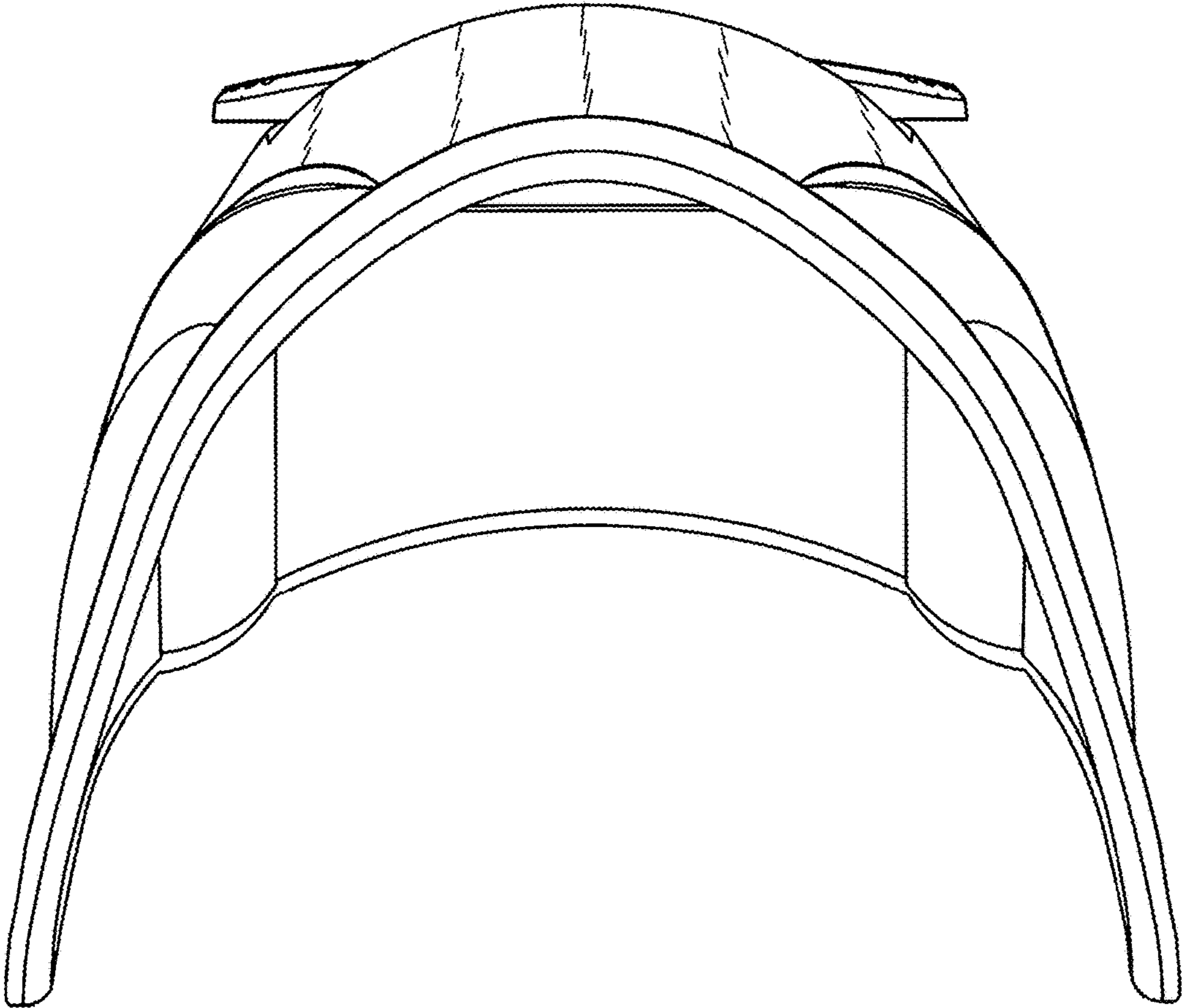


FIG. 6

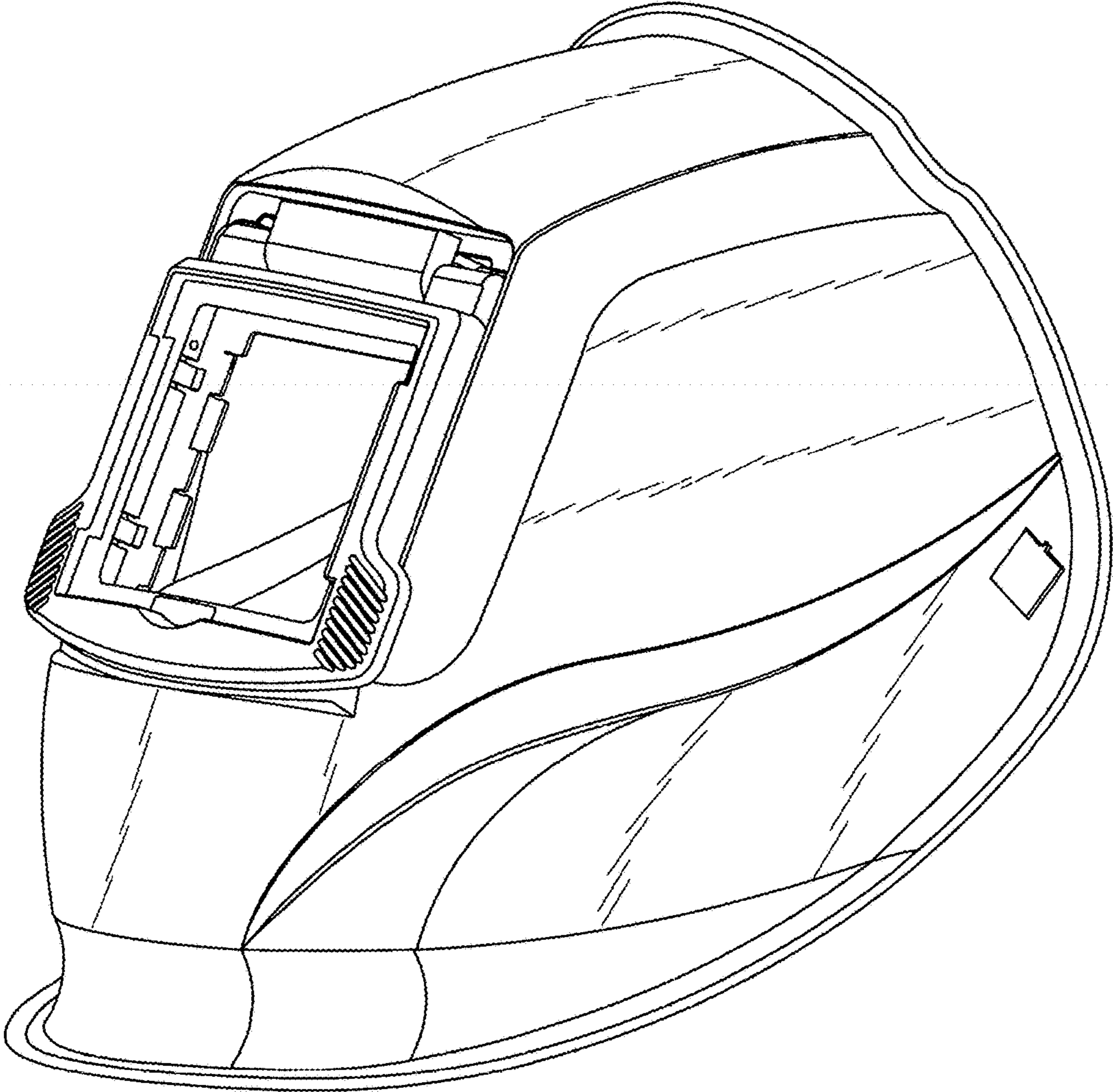


FIG. 7

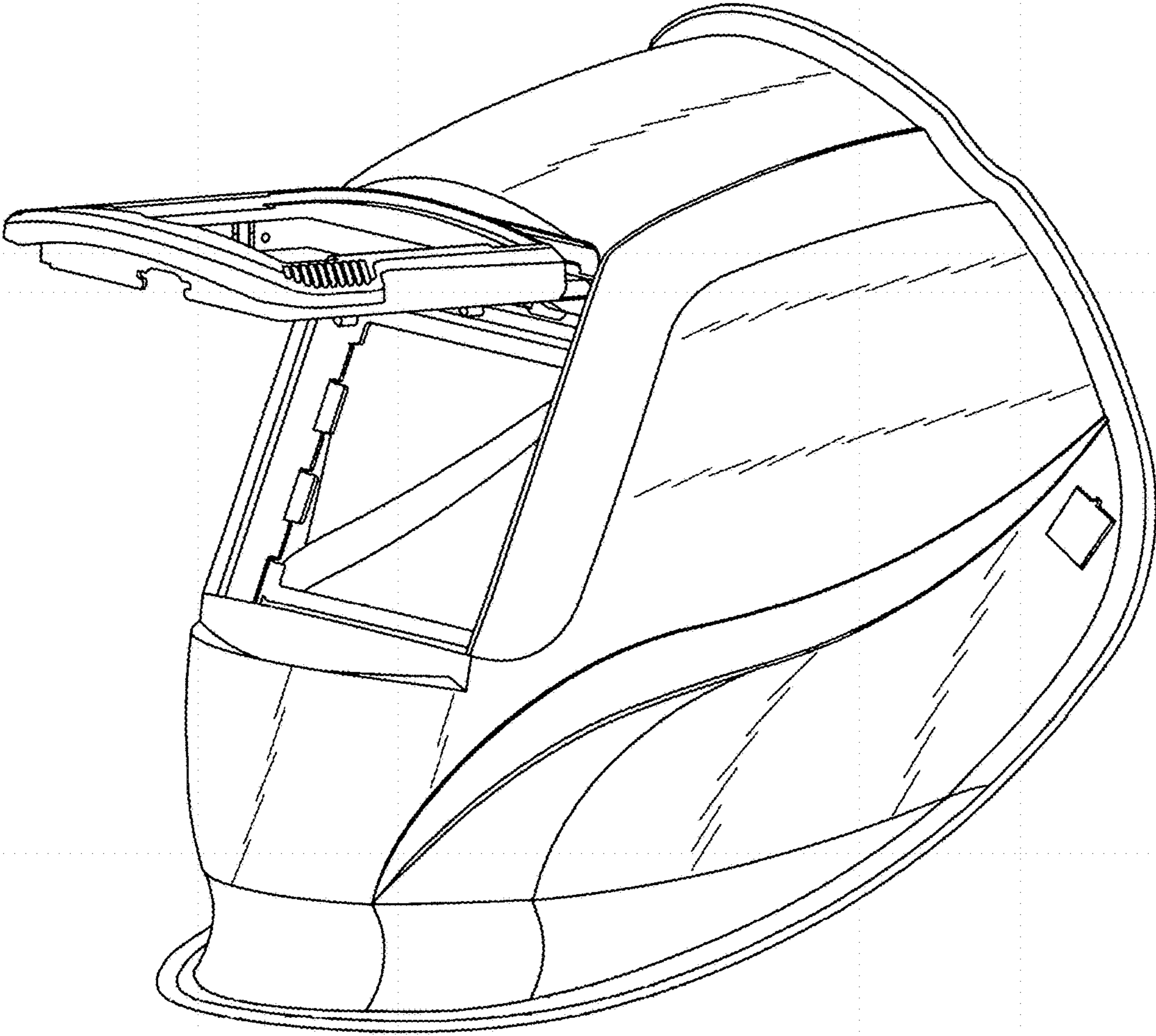


FIG. 8