



US00D774696S

(12) **United States Design Patent**
Weber et al.

(10) **Patent No.:** **US D774,696 S**

(45) **Date of Patent:** **** Dec. 20, 2016**

- (54) **SHAVING RAZOR**
- (71) Applicant: **MONGOOSE RAZORS, INC.**, Boca Raton, FL (US)
- (72) Inventors: **Bruce Martin Weber**, Boca Raton, FL (US); **Matthew Benjamin Glass**, Delray Beach, FL (US); **Robindra K. Mukherjee**, Canyon Country, CA (US)
- (73) Assignee: **MONGOOSE RAZORS, INC.**, Boca Raton, FL (US)

(**) Term: **15 Years**

(21) Appl. No.: **29/527,101**

(22) Filed: **May 15, 2015**

(51) **LOC (10) Cl.** **28-03**

(52) **U.S. Cl.**
USPC **D28/47**

(58) **Field of Classification Search**
USPC D28/46-48
CPC B26B 21/52-21/528; B26B 21/14-21/38;
B26B 21/40; B26B 21/4006; B26B
21/4012-21/4031
See application file for complete search history.

(56) **References Cited**

U.S. PATENT DOCUMENTS

- 2,573,980 A * 11/1951 Mitchell B26B 21/16
30/83
- 2,637,101 A * 5/1953 Cutler B26B 21/24
30/40.2
- 2,671,265 A * 3/1954 Gavrilla B26B 21/06
30/32
- 2,794,246 A * 6/1957 Marsh B26B 21/06
30/32
- 3,015,158 A * 1/1962 Ayotte B26B 21/16
30/41

- 3,413,720 A * 12/1968 Mullen B26B 21/06
30/32
- 3,626,591 A * 12/1971 Robey B26B 21/40
30/54
- 3,777,396 A * 12/1973 Simonetti B26B 21/22
30/346.57
- D763,506 S * 8/2016 Barrett D28/46
- 2009/0007443 A1* 1/2009 Cuocolo, Jr. B26B 21/10
30/526
- 2011/0197446 A1* 8/2011 Macove B26B 21/22
30/34.2
- 2015/0298327 A1* 10/2015 Tomassetti B26B 21/48
30/34.05

* cited by examiner

Primary Examiner — Jennifer Rivard

(74) *Attorney, Agent, or Firm* — Greenberg Traurig, LLP

(57) **CLAIM**

The ornamental design for a shaving razor, as shown and described.

DESCRIPTION

FIG. 1 is a front perspective view of our shaving razor design.

FIG. 2 is a top plan view of the shaving razor shown in FIG. 1.

FIG. 3 is a bottom plan view of the shaving razor shown in FIG. 1.

FIG. 4 is a right side elevational view of the shaving razor shown in FIG. 1.

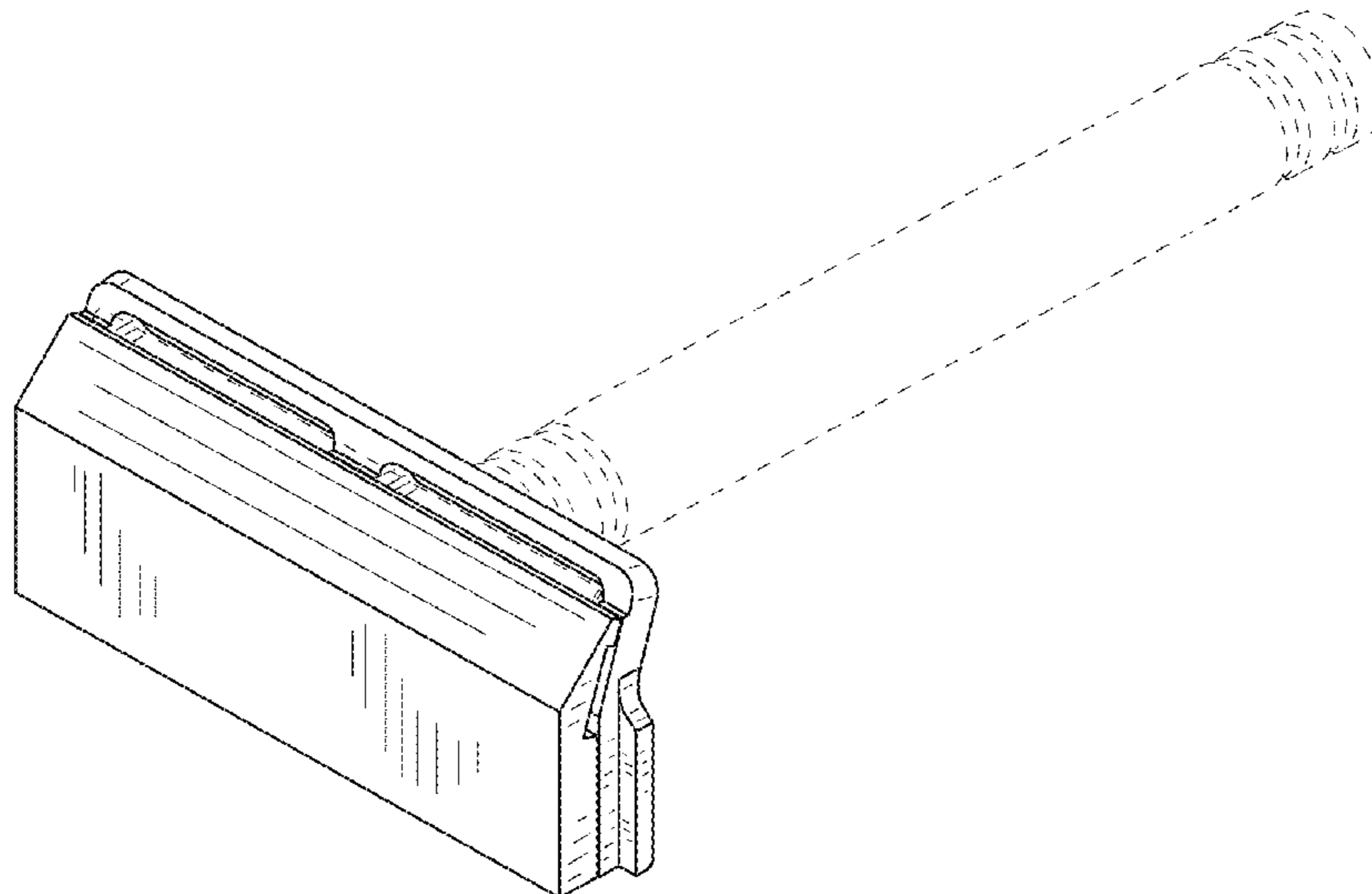
FIG. 5 is a left side elevational view of the shaving razor shown in FIG. 1.

FIG. 6 is a front elevational view of our shaving razor design; and,

FIG. 7 is a back elevational view of our shaving razor design.

The broken lines illustrate portions of the shaving razor and form no part of the claimed design.

1 Claim, 6 Drawing Sheets



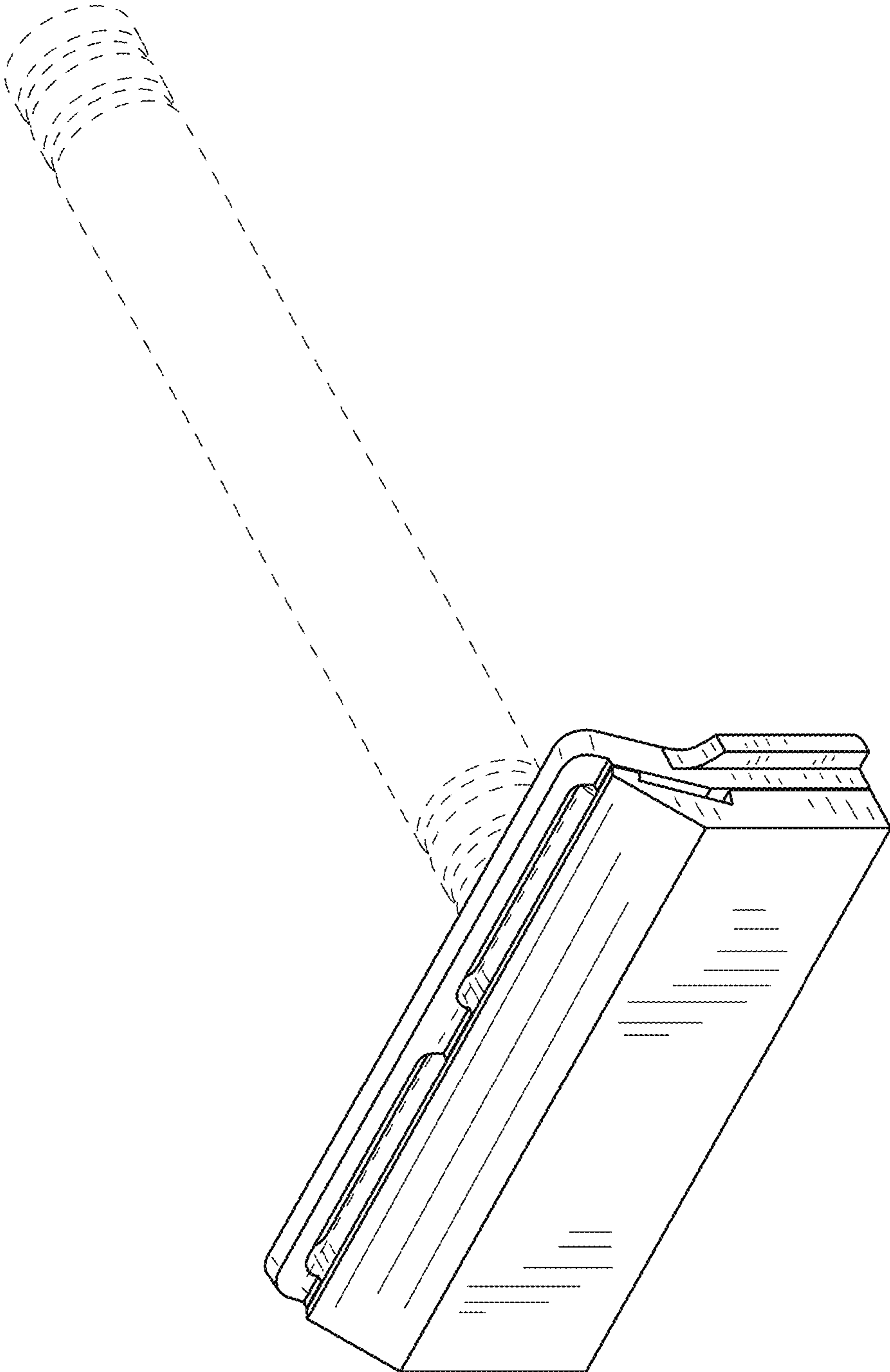


FIG.1

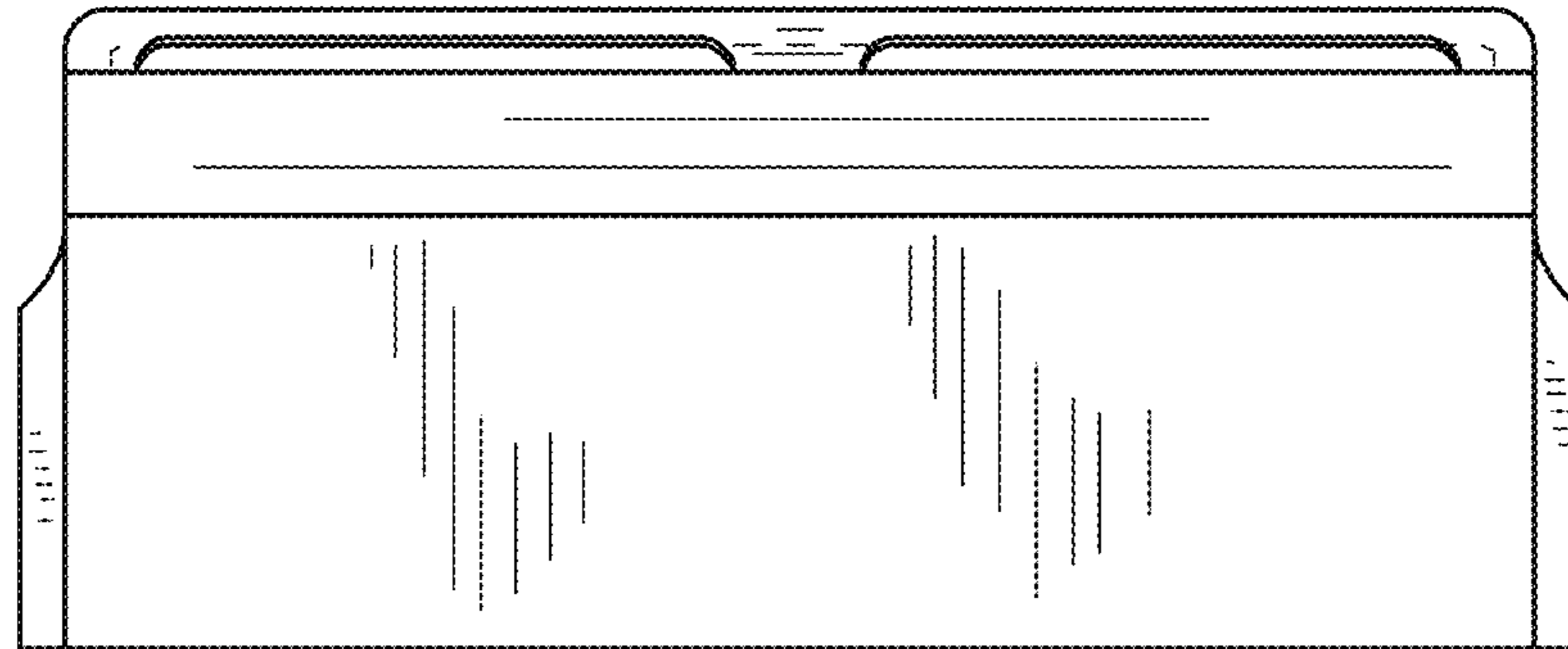


FIG. 2

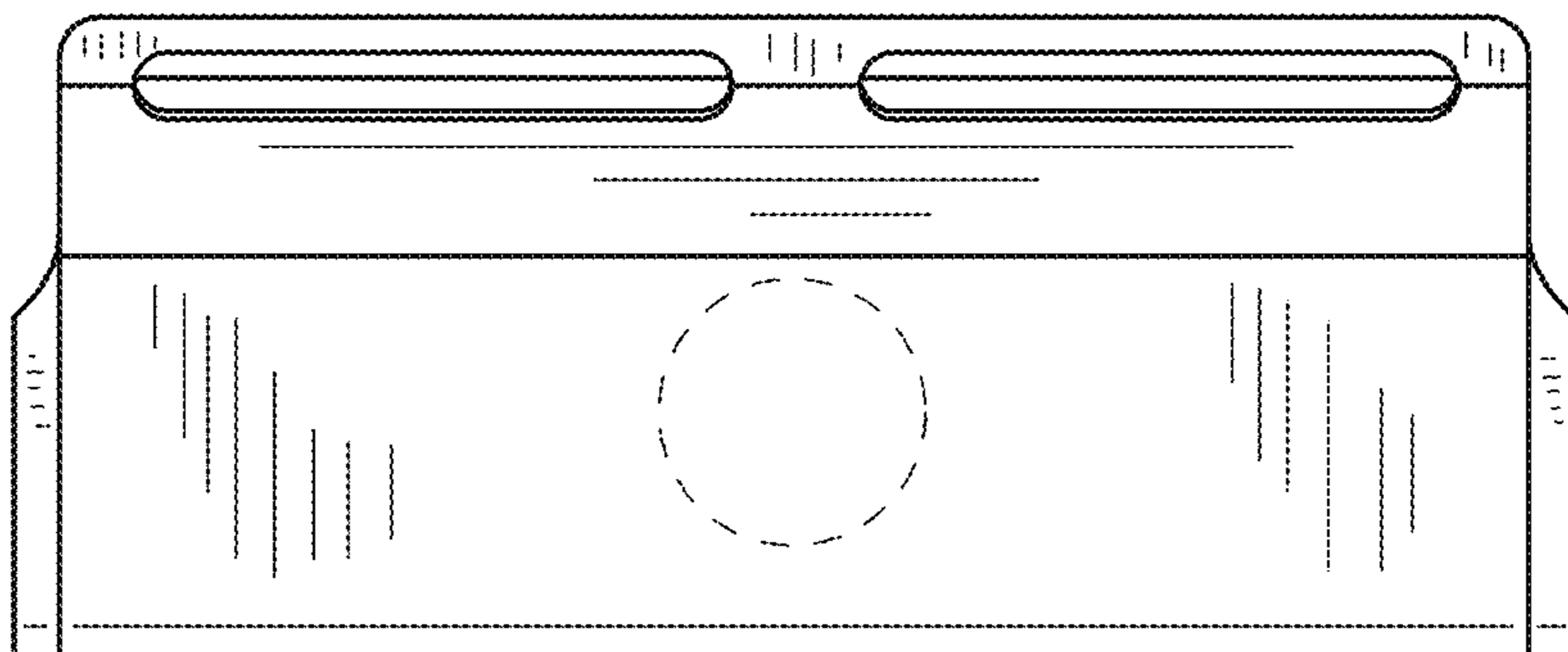


FIG. 3

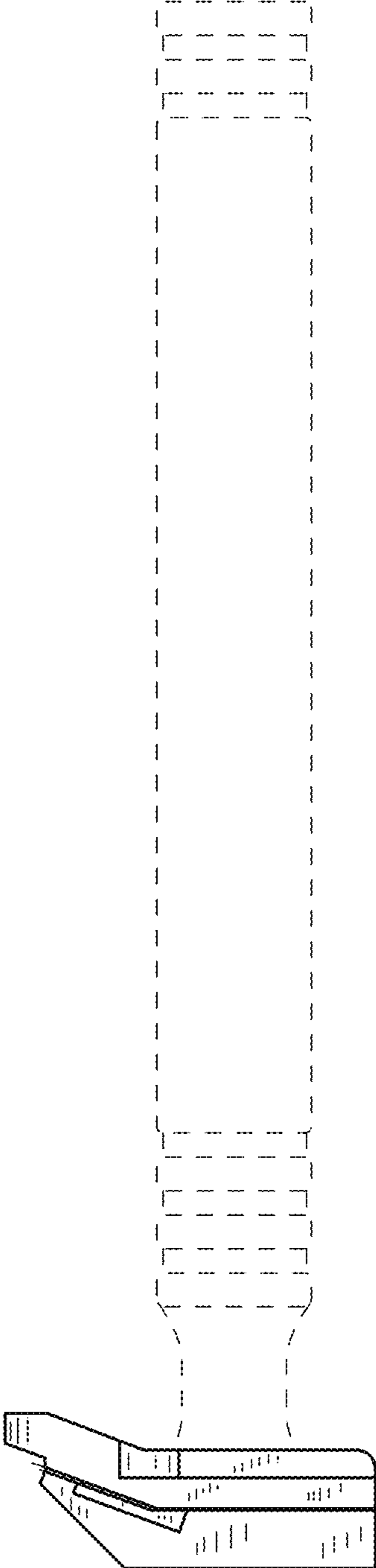


FIG.4

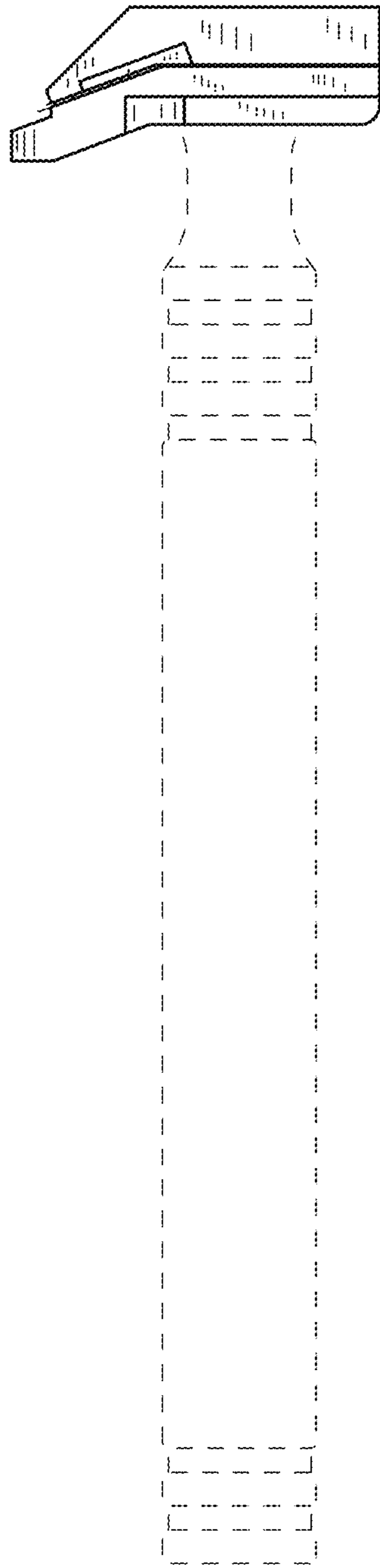


FIG. 5

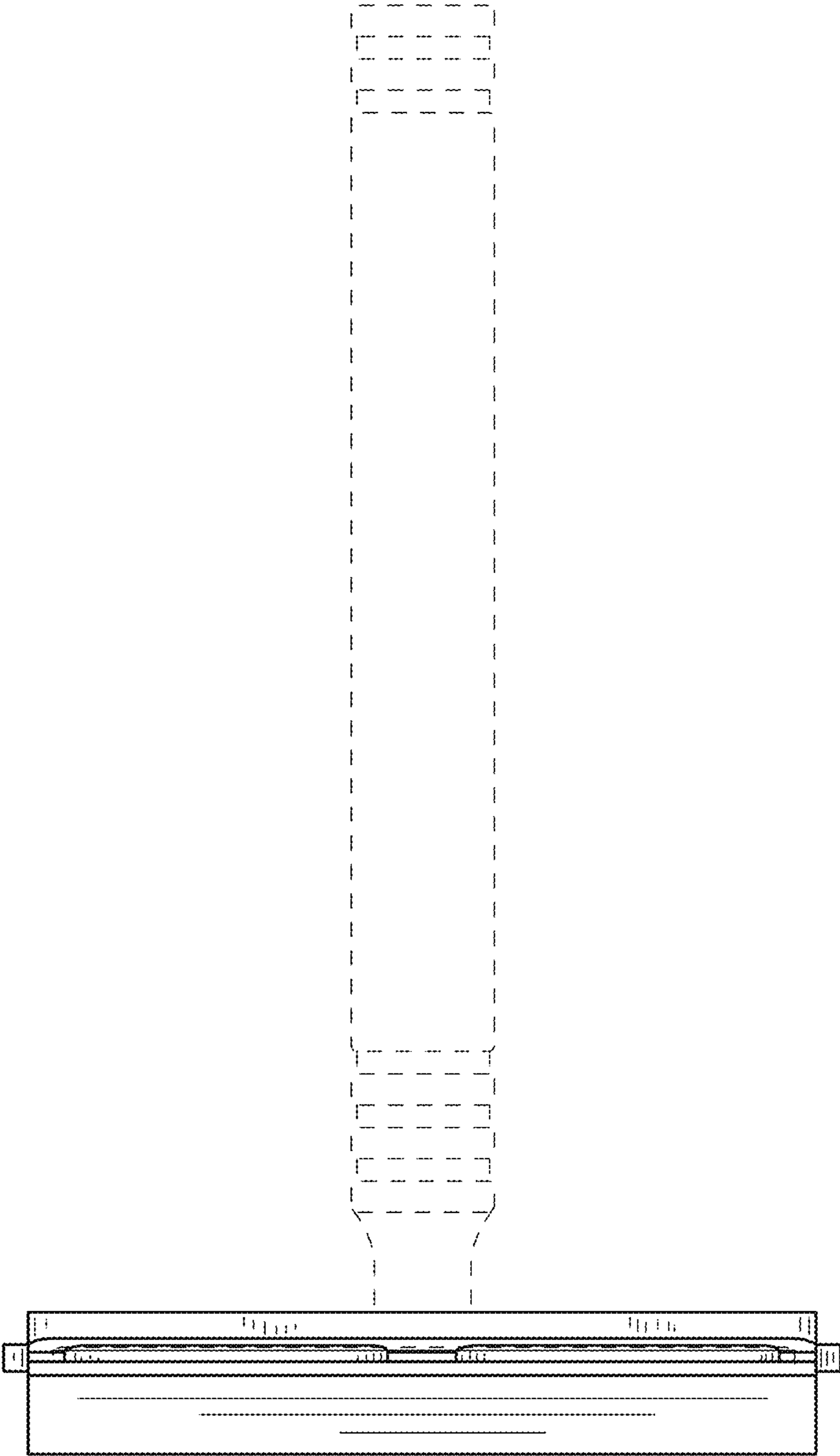


FIG.6

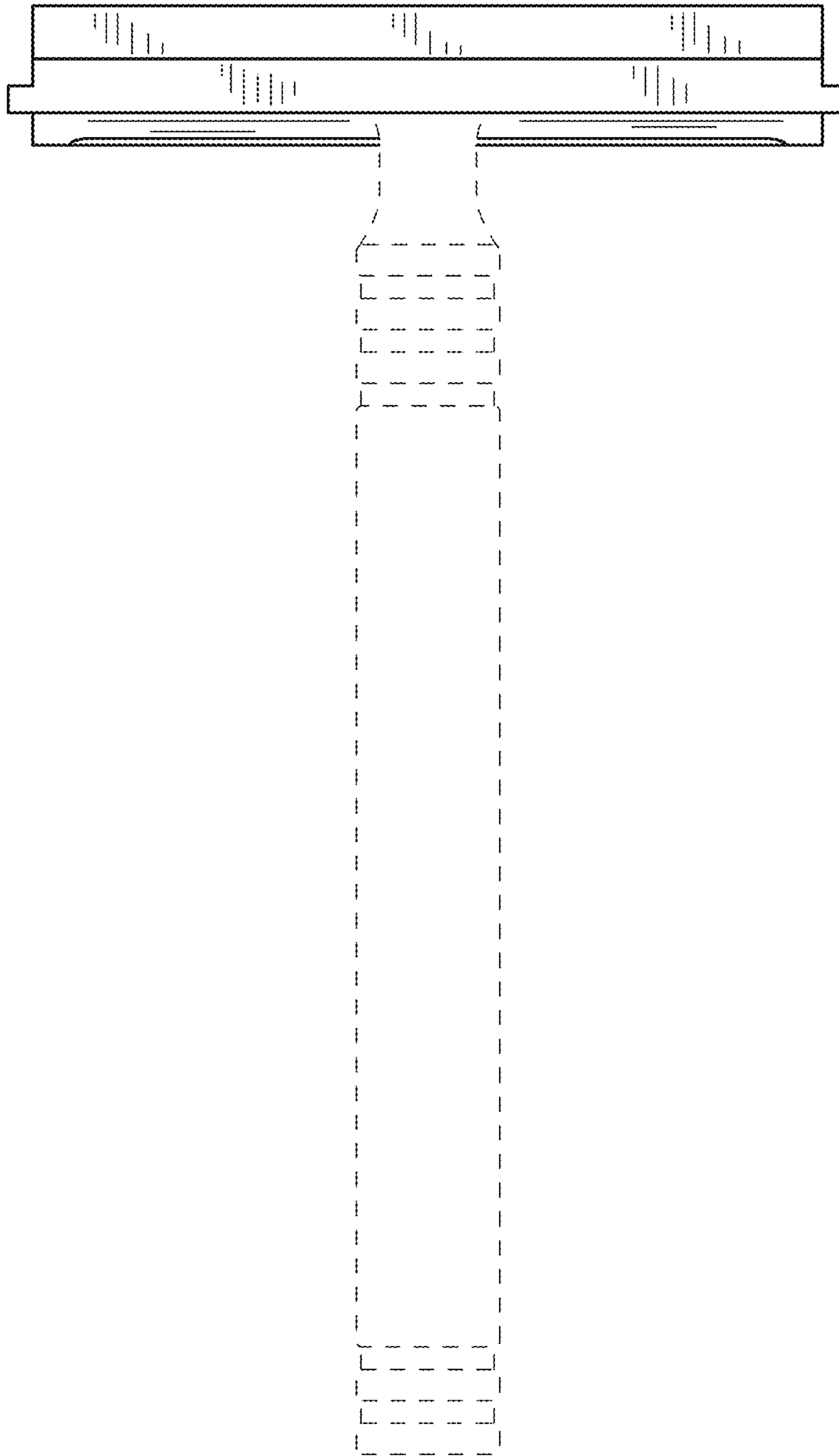


FIG.7