



US00D774695S

(12) **United States Design Patent** (10) **Patent No.:** **US D774,695 S**
Coral (45) **Date of Patent:** **** Dec. 20, 2016**

- (54) **HAIR CLIP**
- (71) Applicant: **Style of Paris LLC**, Plantation, FL (US)
- (72) Inventor: **Hilaire Coral**, Oyonnax (FR)
- (73) Assignee: **Style of Paris LLC**, Plantation, FL (US)
- (**) Term: **15 Years**
- (21) Appl. No.: **29/526,851**
- (22) Filed: **May 13, 2015**
- (51) **LOC (10) Cl.** **28-03**
- (52) **U.S. Cl.**
USPC **D28/40**
- (58) **Field of Classification Search**
USPC D11/1-5; 132/279-279, 126, 128-131, 132/144, 148, 275-284
CPC A45D 8/20; A45D 8/24; A45D 8/34
See application file for complete search history.

- 2008/0149129 A1* 6/2008 Yang A45D 8/20 132/277
- 2009/0272398 A1* 11/2009 Chudzik A45D 8/20 132/277
- 2009/0277469 A1* 11/2009 Hsu A45D 8/20 132/277

* cited by examiner

Primary Examiner — Susan Bennett Hattan
Assistant Examiner — Rebecca Tsehaye
(74) *Attorney, Agent, or Firm* — Greg M. Popowitz; Assouline & Berlowe, P.A.

(57) **CLAIM**

The ornamental design for a hair clip, as shown and described.

DESCRIPTION

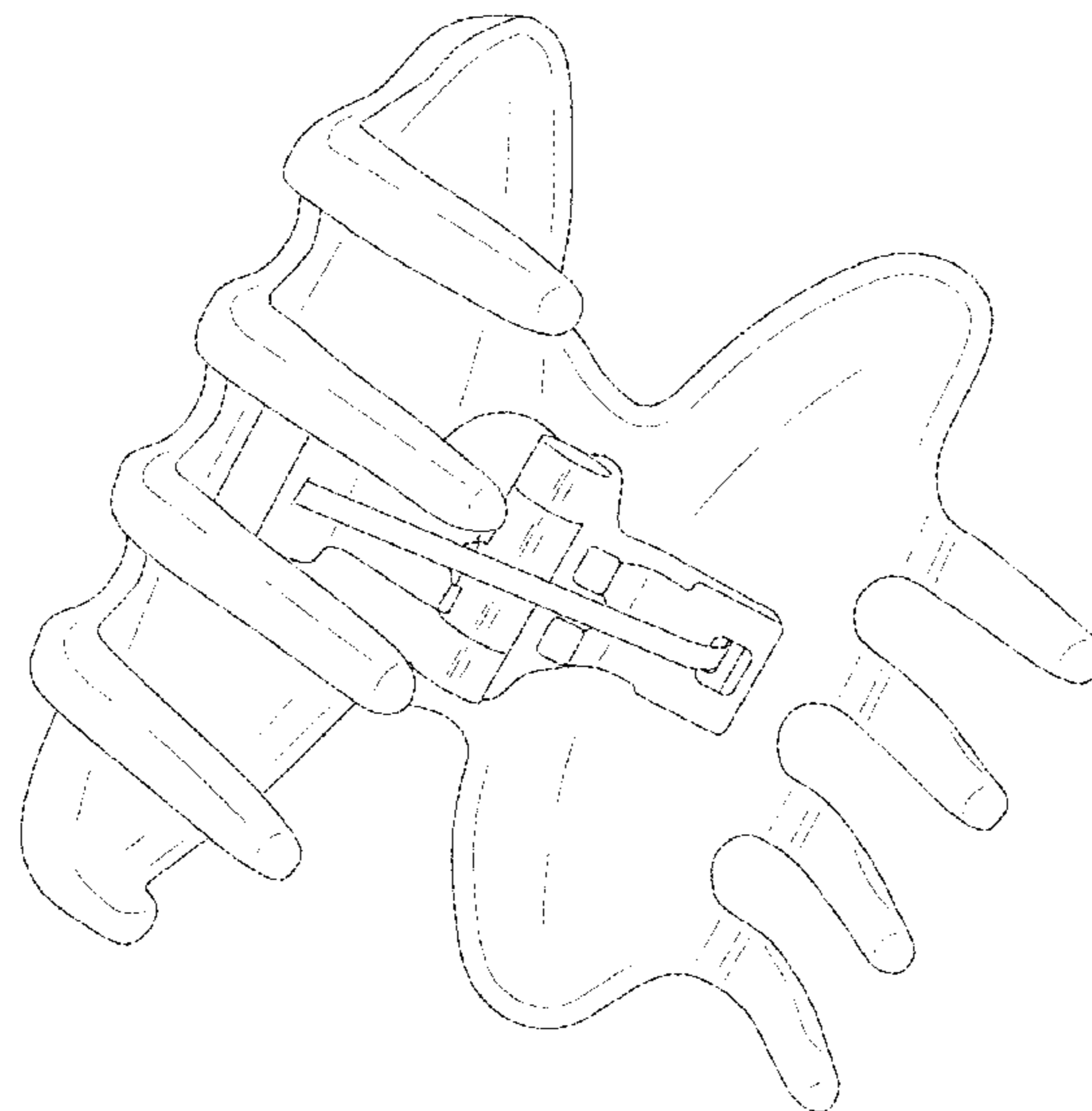
FIG. 1 is a front perspective view of the present invention in an open position.
FIG. 2 is a front view of the hair clip shown in FIG. 1 in a closed position.
FIG. 3 is a left side view of the hair clip shown in FIG. 1 in a closed position.
FIG. 4 is a right side view of the hair clip shown in FIG. 1 in a closed position
FIG. 5 is a left side view of the hair clip shown in FIG. 1 in an open position.
FIG. 6 is right side view of the hair clip shown in FIG. 1 in an open position.
FIG. 7 is a top view of the hair clip shown in FIG. 1 in a closed position.
FIG. 8 is a bottom view of the hair clip shown in FIG. 1 in a closed position; and,
FIG. 9 is rear view of the hair clip shown in FIG. 1 in a closed position.

1 Claim, 6 Drawing Sheets

(56) **References Cited**

U.S. PATENT DOCUMENTS

- D541,983 S * 5/2007 Au D28/40
- 7,299,808 B2 * 11/2007 Lau A45D 8/20 132/277
- 7,753,058 B2 * 7/2010 Chudzik A45D 8/20 132/276
- D642,738 S * 8/2011 Hsu D28/40
- 8,087,416 B2 * 1/2012 Defenbaugh A45D 8/20 132/200
- 8,109,279 B2 * 2/2012 Chudzik A45D 8/20 132/277
- D712,093 S * 8/2014 Hsu D28/40
- D737,510 S * 8/2015 Wright D28/40
- 9,232,841 B1 * 1/2016 Hsu A45D 8/20



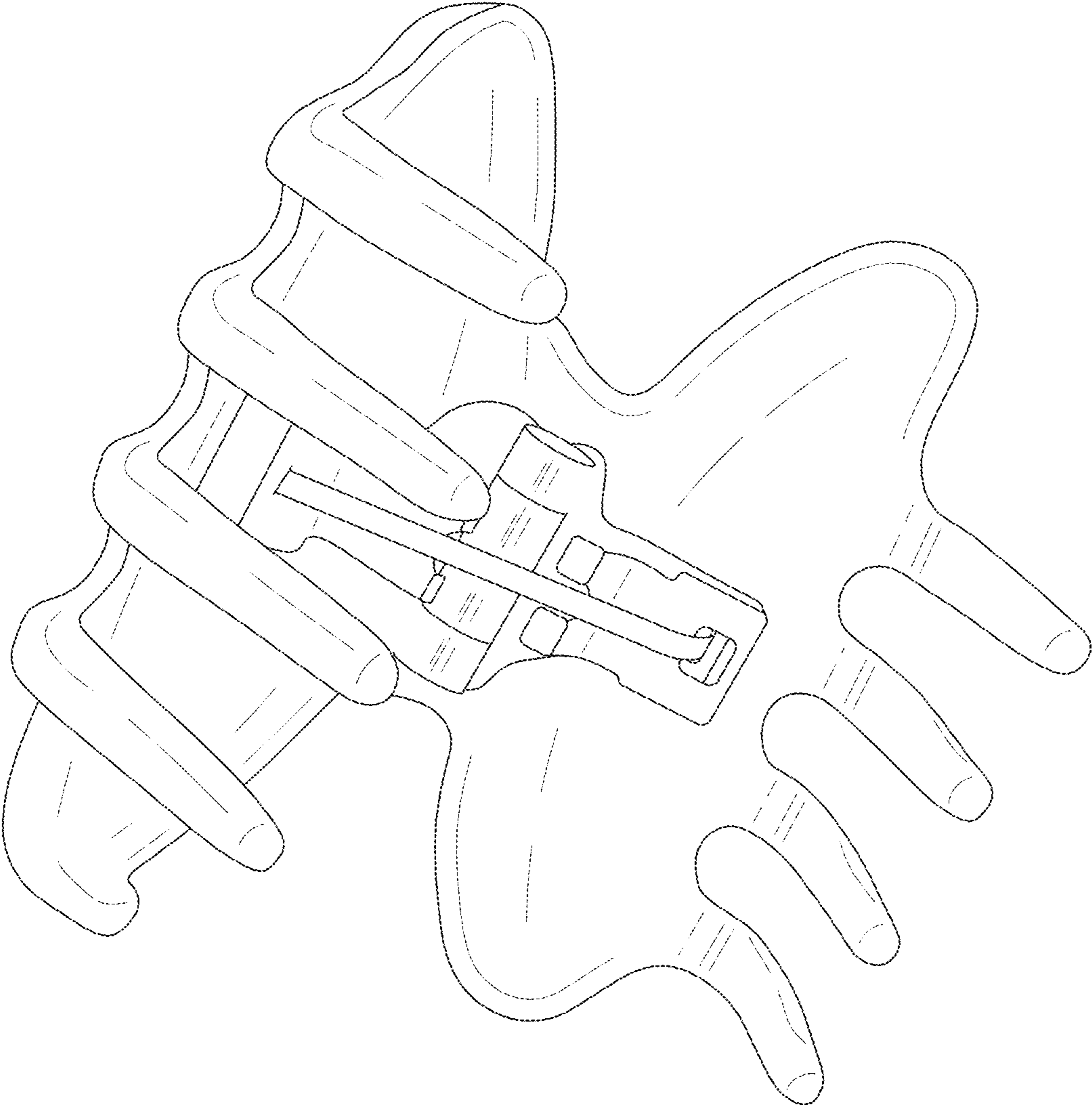


Fig. 1

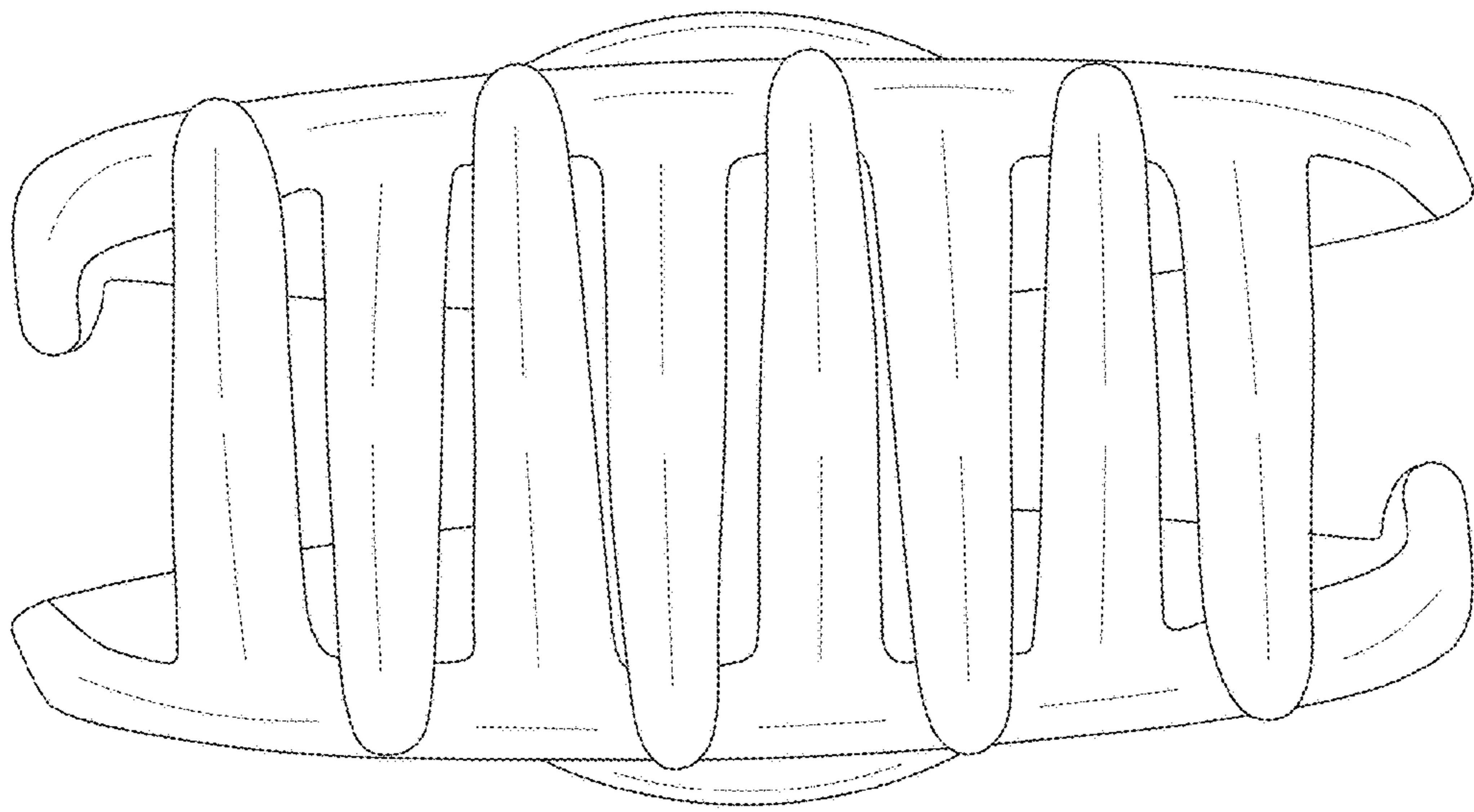


Fig. 2

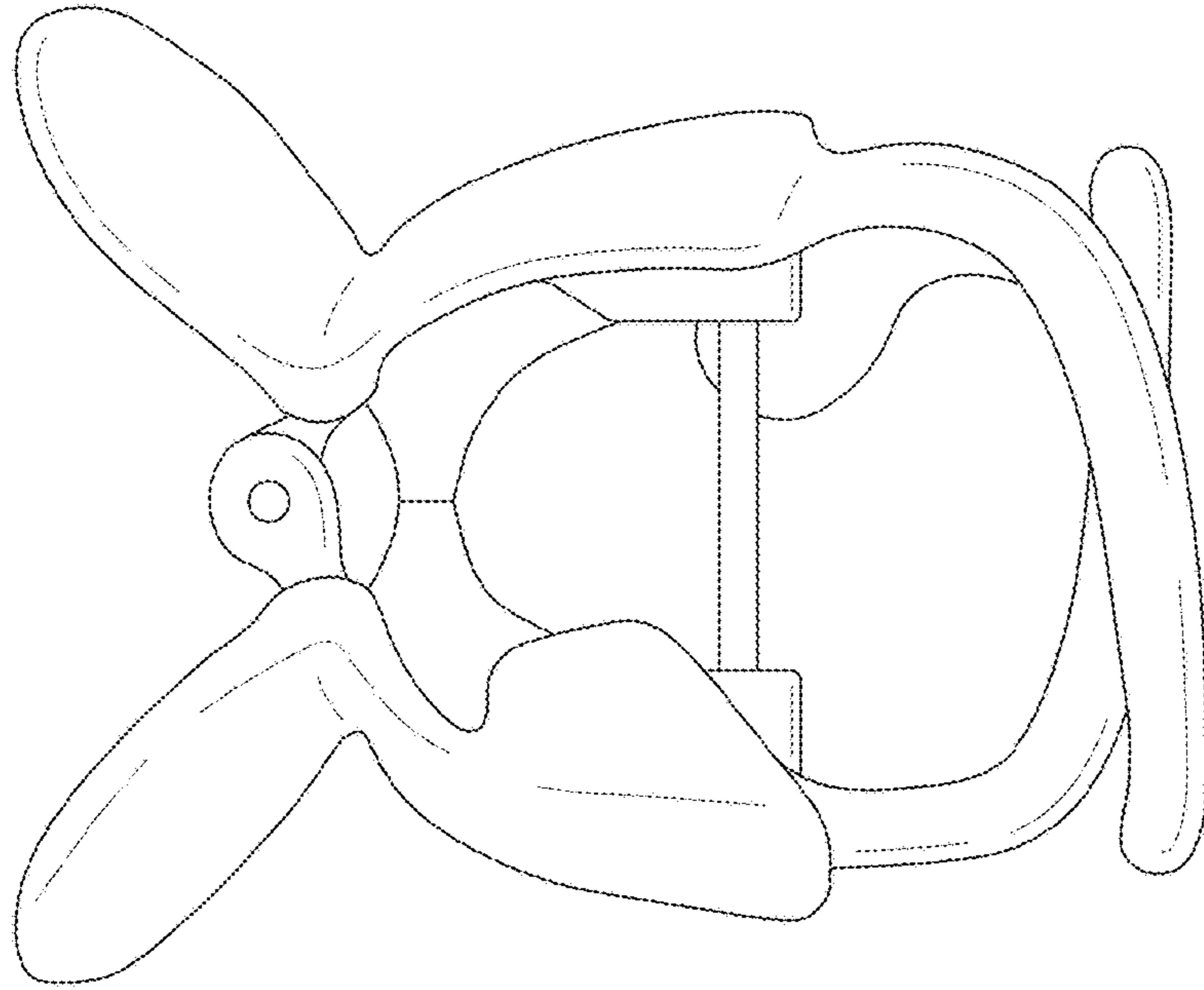


Fig. 4

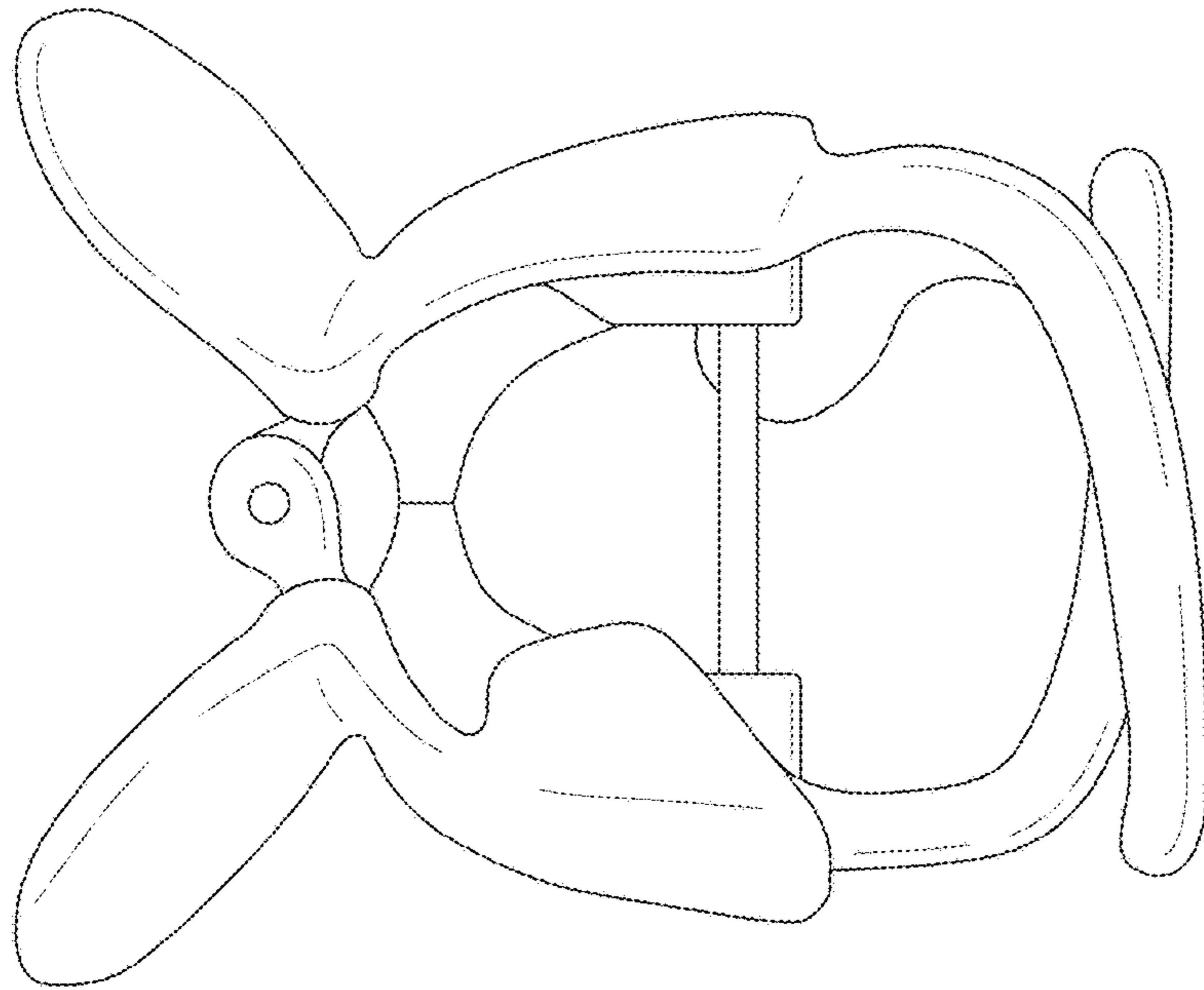


Fig. 3

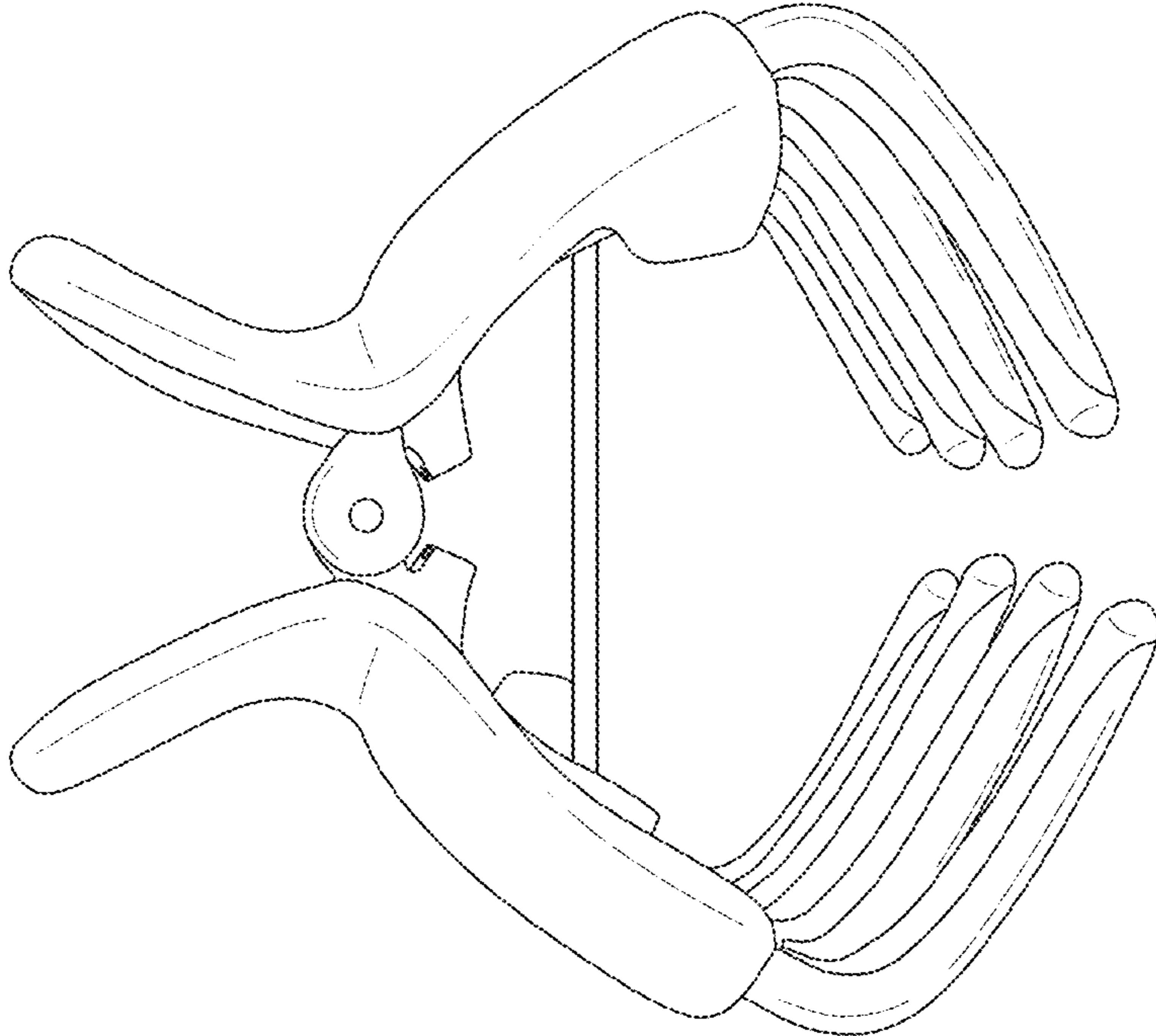


Fig. 6

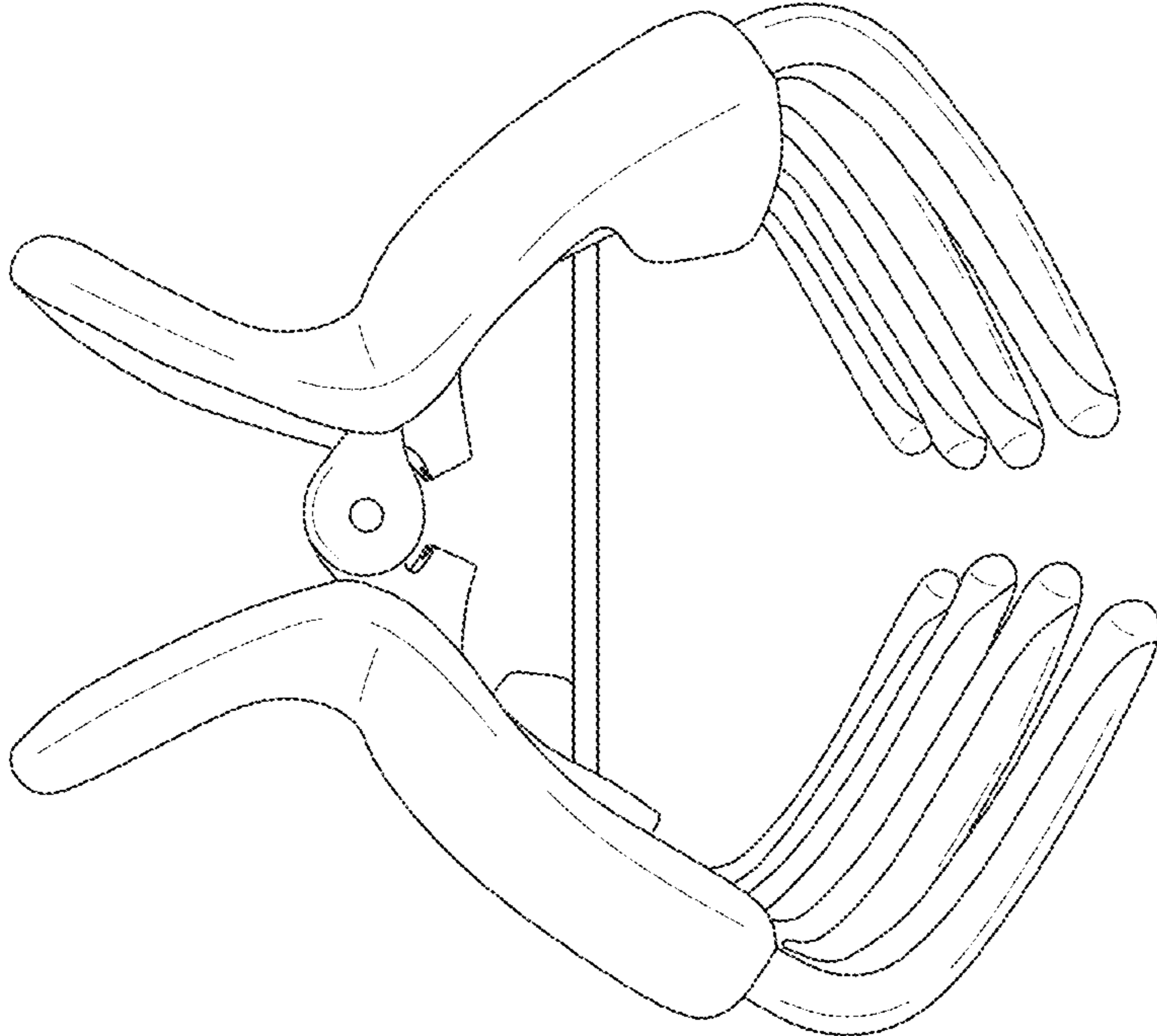


Fig. 5

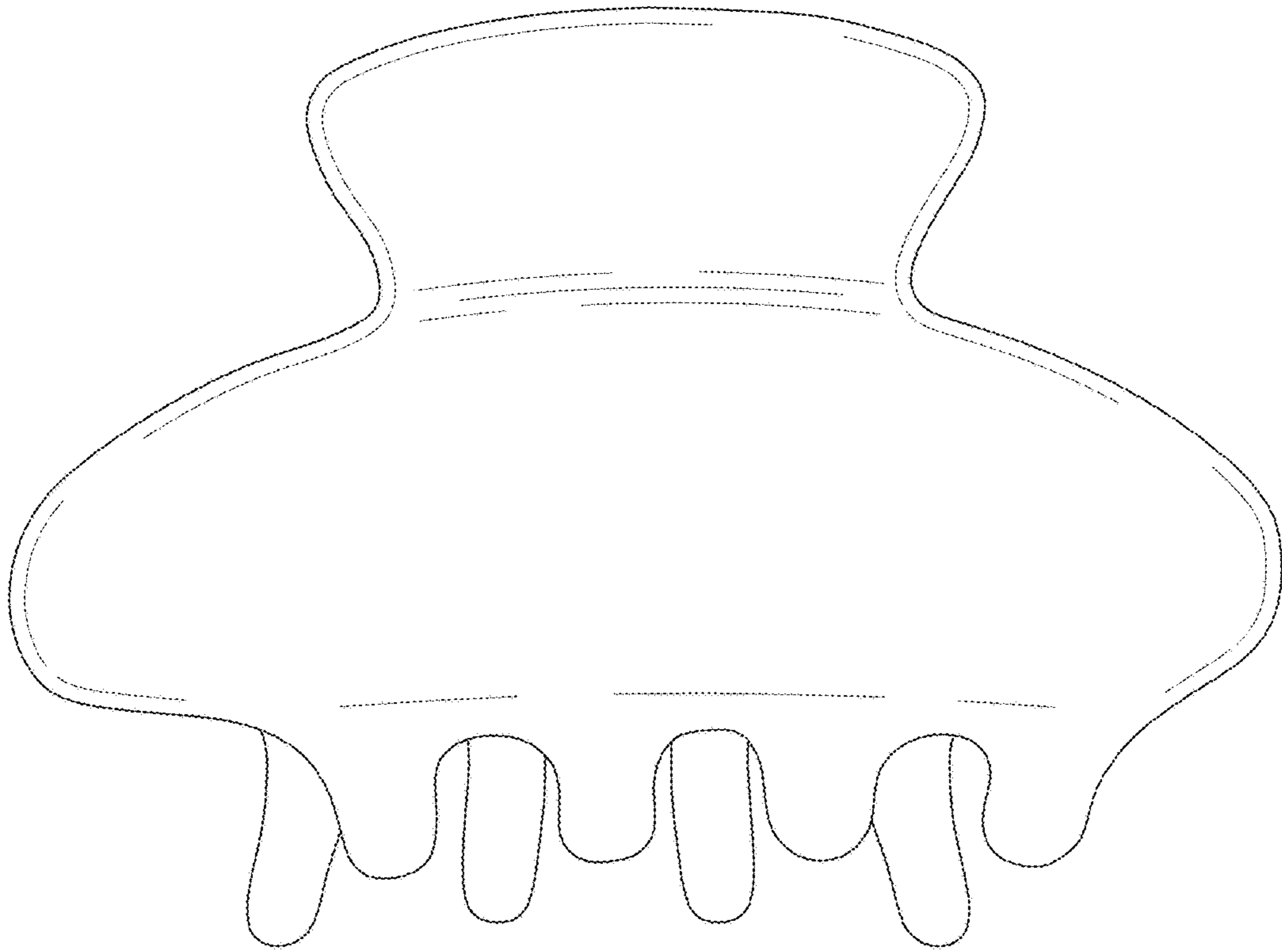


Fig. 7

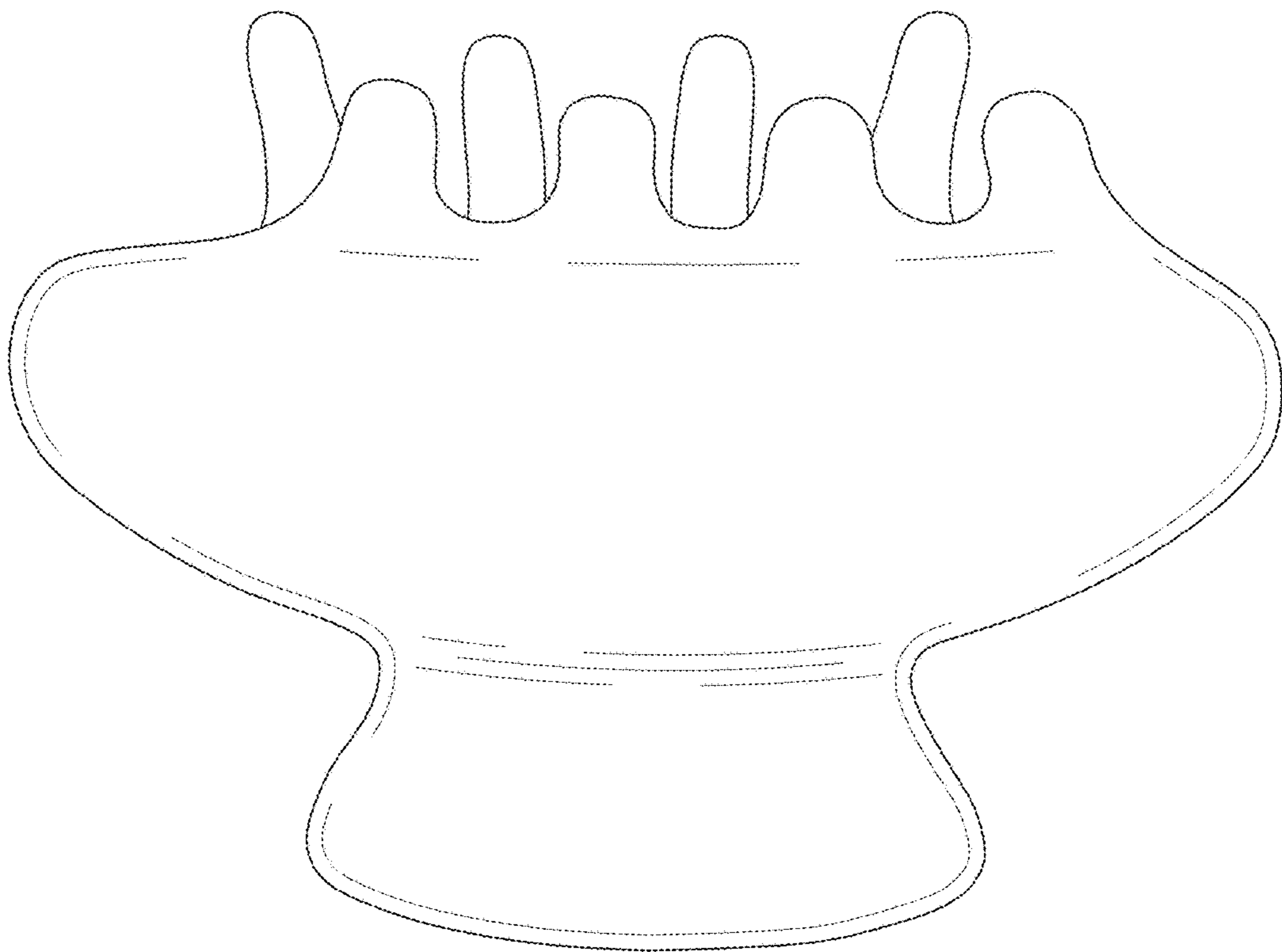


Fig. 8

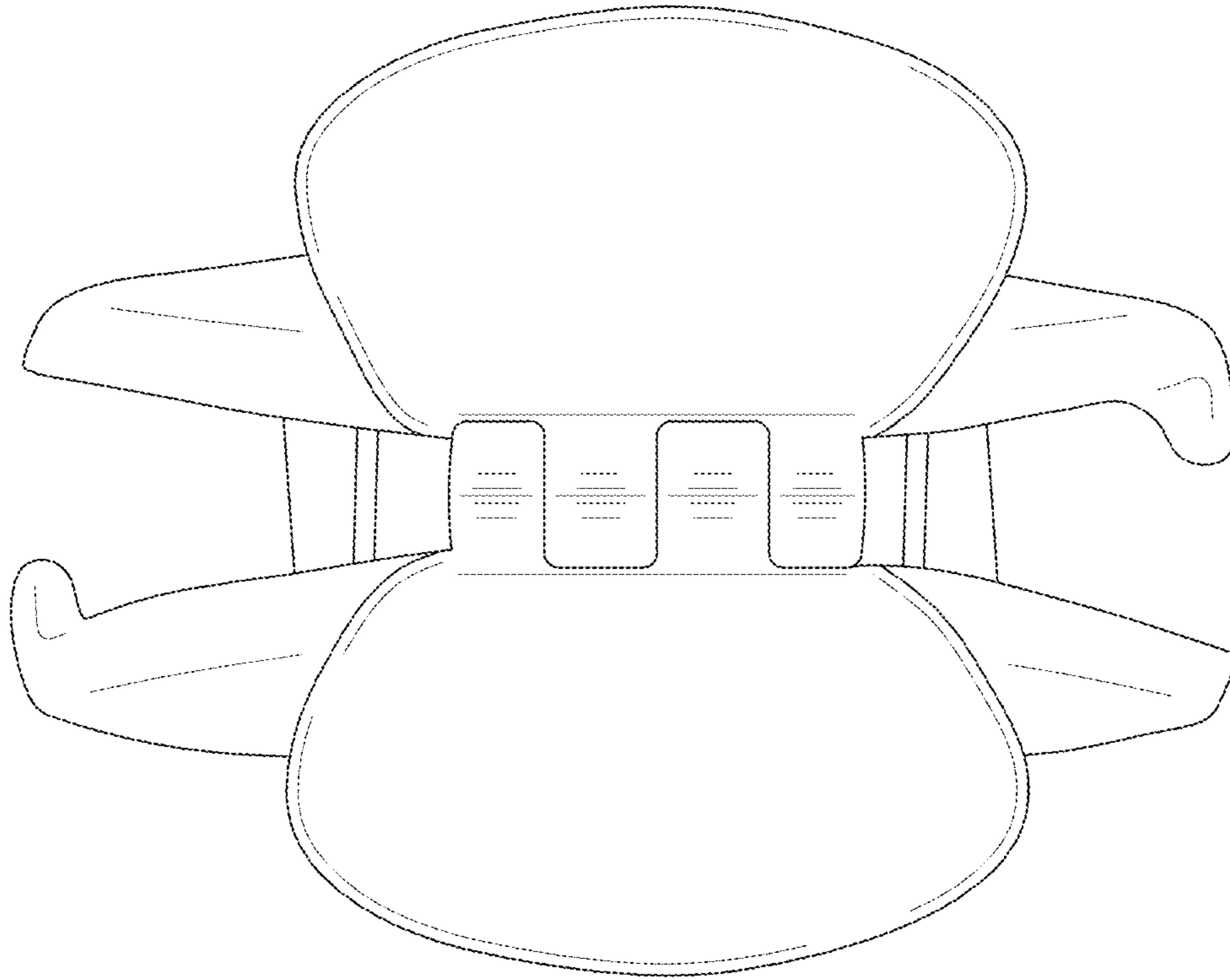


Fig. 9