



US00D774694S

(12) **United States Design Patent** (10) **Patent No.:** **US D774,694 S**
Silva (45) **Date of Patent:** **** Dec. 20, 2016**

(54) **HAIRSTYLING NEEDLE-TIP TONG**

(71) Applicant: **David Silva**, Reno, NV (US)

(72) Inventor: **David Silva**, Reno, NV (US)

(**) Term: **14 Years**

(21) Appl. No.: **29/520,492**

(22) Filed: **Mar. 16, 2015**

(51) **LOC (10) Cl.** **28-03**

(52) **U.S. Cl.**
USPC **D28/39**

(58) **Field of Classification Search**
USPC .. D28/31-34, 39-43; 132/273-284; D19/34,
D19/65; D8/58

CPC A45D 8/02
See application file for complete search history.

(56) **References Cited**

U.S. PATENT DOCUMENTS

D417,749 S * 12/1999 Kellmann D28/10
D429,029 S * 8/2000 Ford D28/39

D435,201 S * 12/2000 Wang D7/642
D507,724 S * 7/2005 Bertulis D7/686
D542,607 S * 5/2007 Huber D7/686
D567,438 S * 4/2008 Srivastava D28/10
D567,439 S * 4/2008 Srivastava D28/10
D573,305 S * 7/2008 Srivastava D28/10
D592,917 S * 5/2009 Jalet D7/686
D663,070 S * 7/2012 McNally D28/39

* cited by examiner

Primary Examiner — Zenia Bennett

(57) **CLAIM**

The ornamental design for a hairstyling needle-tip tong, as shown and described.

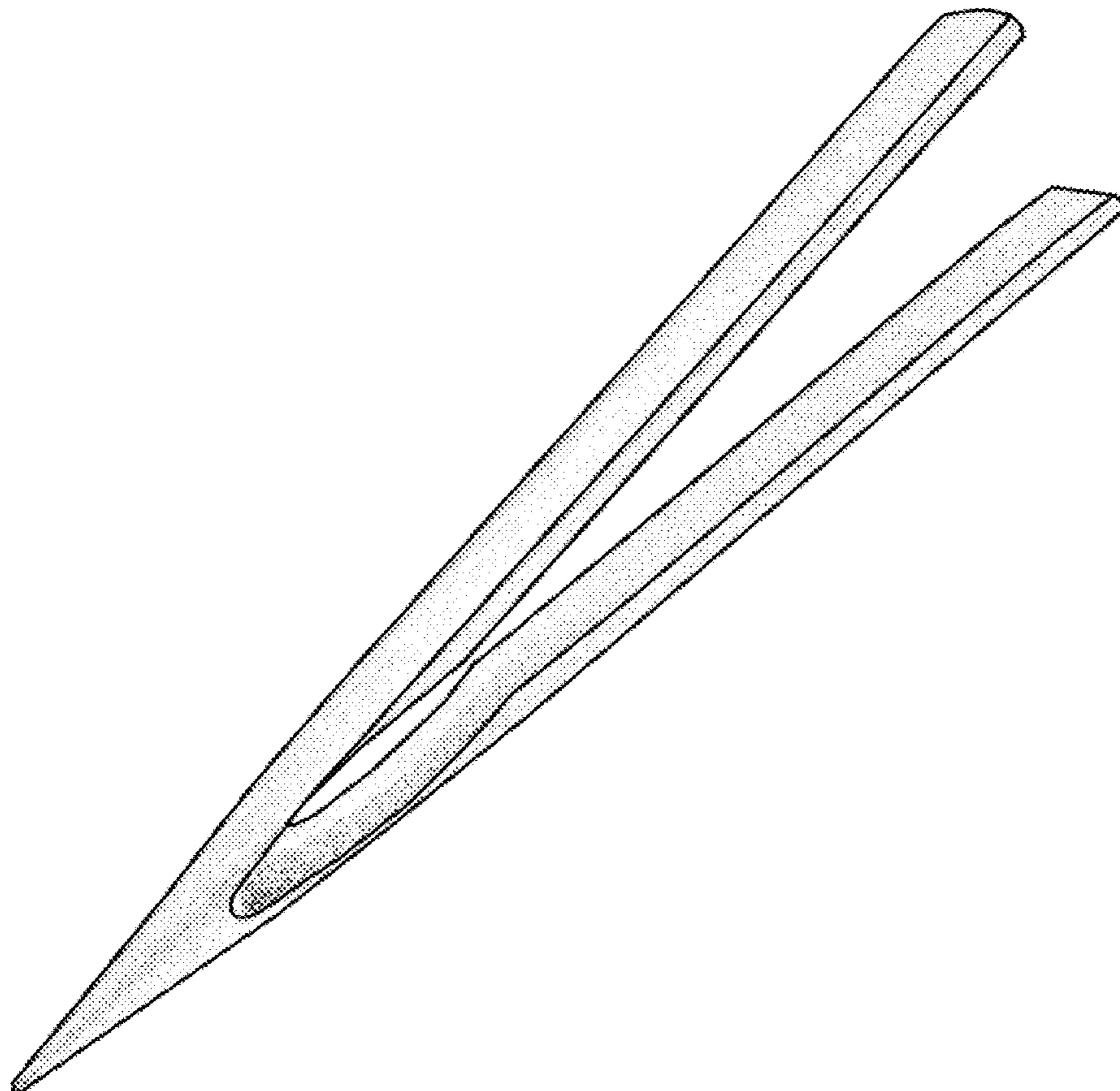
DESCRIPTION

FIG. 1 is a perspective view of my new hairstyling device design

FIG. 2 is a right side view of my hairstyling device design; The left side is identical; and,

FIG. 3 is a top view of my new hairstyling device design; The opposite side is identical.

1 Claim, 1 Drawing Sheet



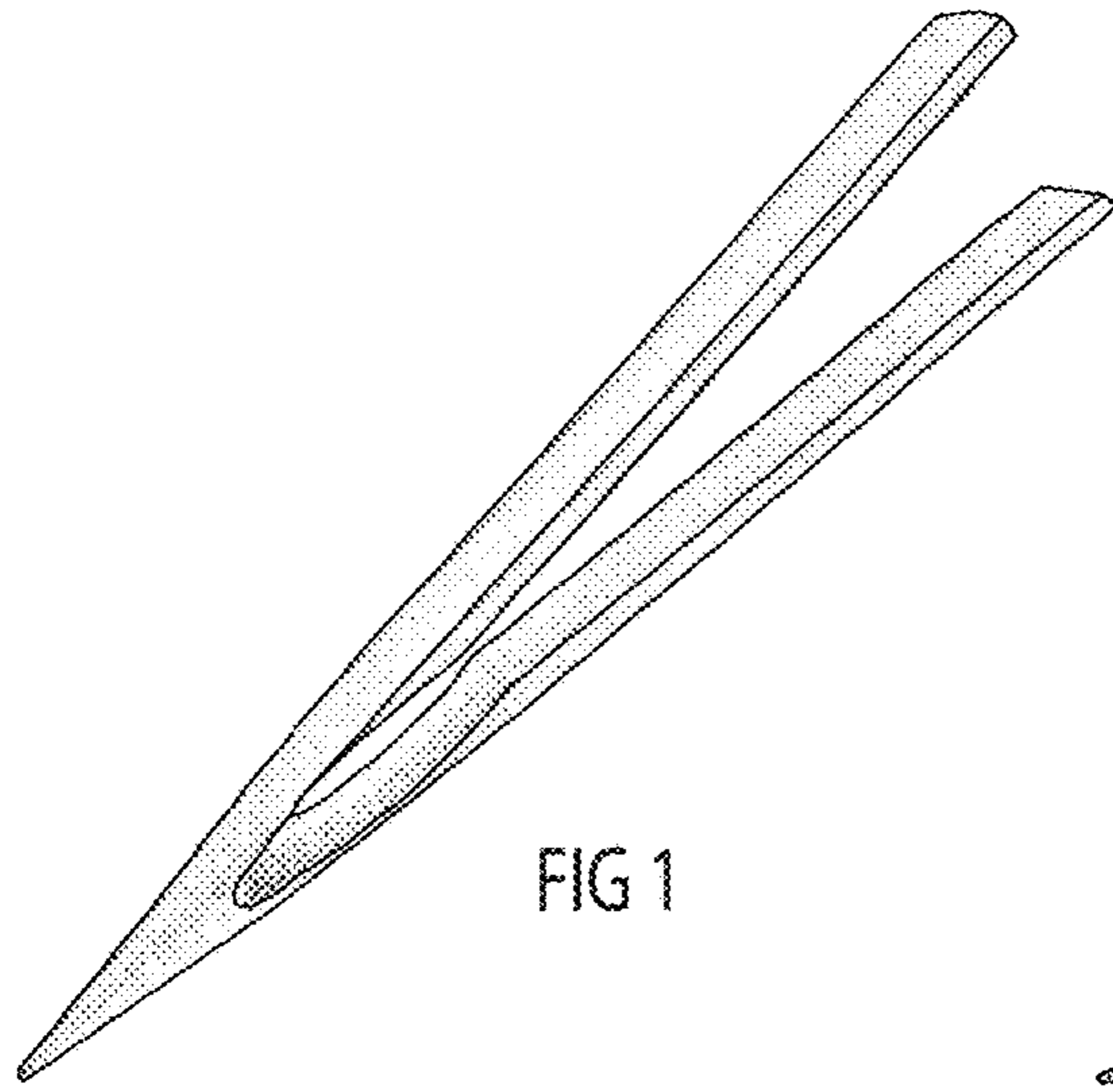


FIG 1

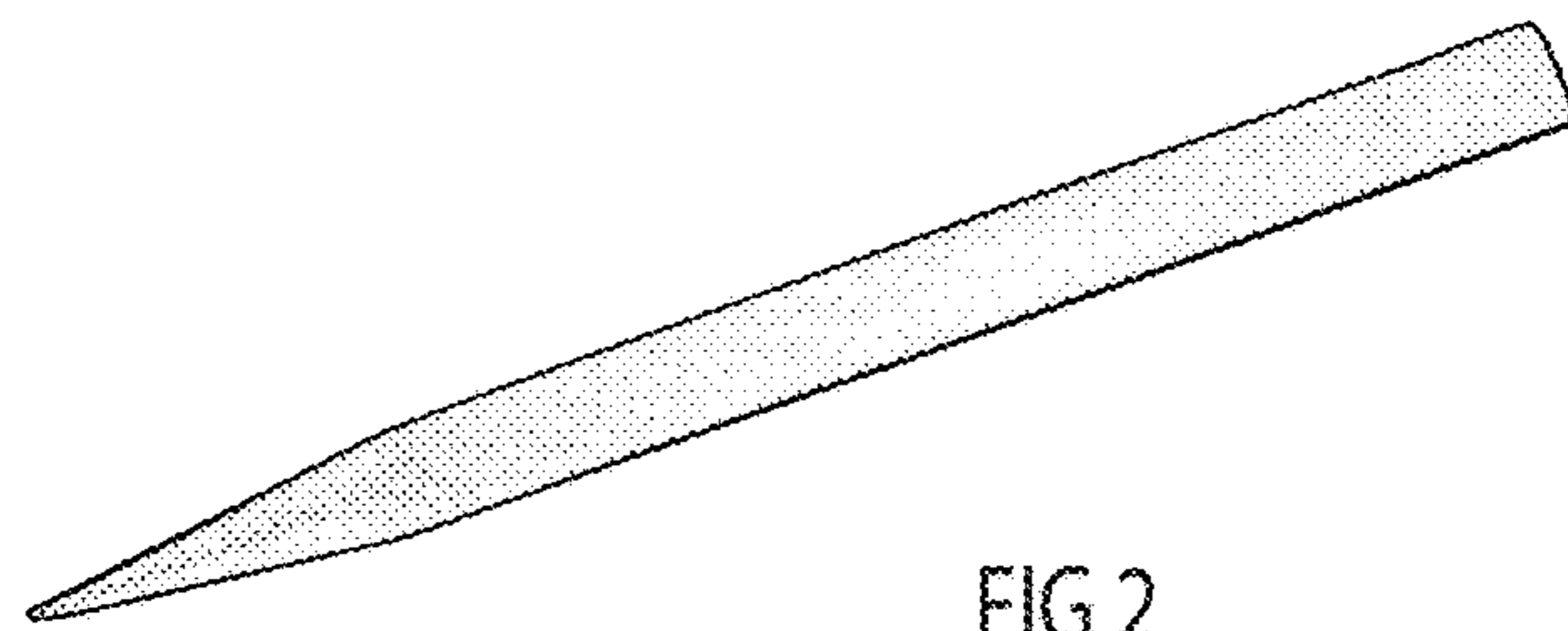


FIG 2

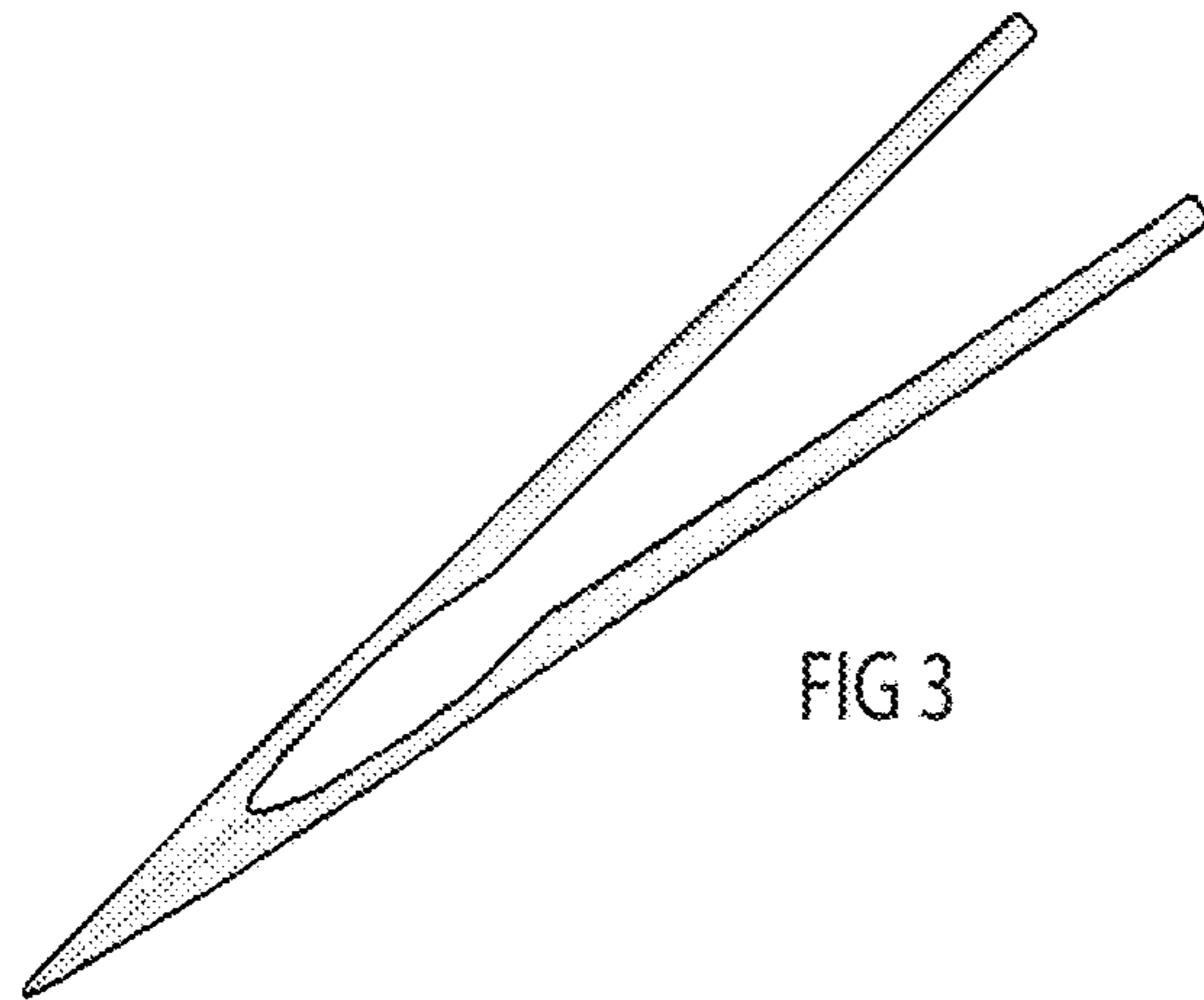


FIG 3