



US00D774691S

(12) **United States Design Patent** (10) **Patent No.:** **US D774,691 S**
Akkad (45) **Date of Patent:** **** Dec. 20, 2016**

(54) **ORGANIZER BASE FOR A LAMP**
(71) Applicant: **Benjamin S. Akkad**, New York, NY
(US)
(72) Inventor: **Benjamin S. Akkad**, New York, NY
(US)

D477,848 S 7/2003 Chen
6,789,916 B2 9/2004 Ruggles
D511,546 S * 11/2005 Trombly D19/77
D524,865 S 7/2006 Killinger et al.
D626,262 S * 10/2010 Lu D26/51
D702,761 S * 4/2014 Foley D19/77
8,899,797 B2 12/2014 Schaak
D744,682 S * 12/2015 Porter D26/51

(Continued)

(**) Term: **14 Years**

Primary Examiner — George D Kirschbaum
Assistant Examiner — Natasha Vujcic
(74) *Attorney, Agent, or Firm* — Panitch Schwarze
Belisario & Nadel LLP

(21) Appl. No.: **29/512,054**

(22) Filed: **Dec. 16, 2014**

(51) **LOC (10) Cl.** **26-99**

(57) **CLAIM**

(52) **U.S. Cl.**
USPC **D26/142; D26/51**

The ornamental design for an organizer base for a lamp, as shown and described.

(58) **Field of Classification Search**
USPC D26/51, 76, 78, 79, 80, 81, 82, 83, 85,
D26/86, 88, 90, 93, 113, 118, 119, 120,
D26/121, 122, 138, 139, 140, 141, 142
CPC F21S 2/00; F21S 4/00; F21S 4/003;
F21S 4/005; F21S 4/006; F21S
4/007; F21S 4/008; F21S 6/00; F21S
8/00; F21S 8/024; F21S 8/026; F21S
8/031; F21S 8/033; F21S
8/035-8/037; F21S 8/04; F21S
8/043; F21S 8/063

DESCRIPTION

See application file for complete search history.

FIG. 1 is a left side perspective view of an organizer base for a lamp in accordance with a first embodiment of my design; FIG. 2 is a front elevational view thereof; FIG. 3 is a rear elevational view thereof; FIG. 4 is a left side elevational view thereof; FIG. 5 is a right side elevational view thereof; FIG. 6 is a top plan view thereof; FIG. 7 is a bottom plan view thereof; FIG. 8 is a left side perspective view of an organizer base for a lamp in accordance with a second embodiment of my design; FIG. 9 is a front elevational view thereof; FIG. 10 is a rear elevational view thereof; FIG. 11 is a left side elevational view thereof; FIG. 12 is a right side elevational view thereof; FIG. 13 is a top plan view thereof; and, FIG. 14 is a bottom plan view thereof.

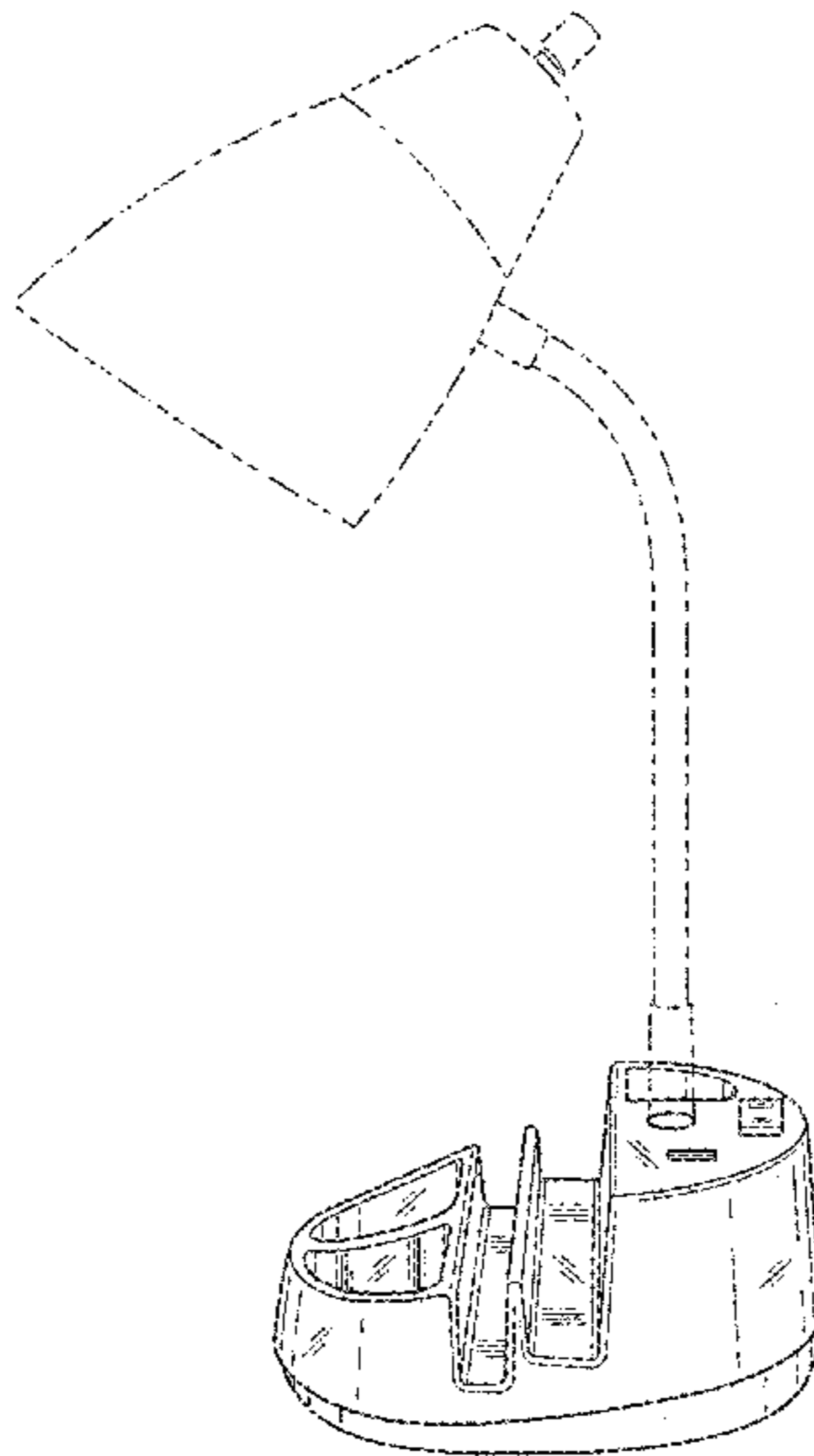
The broken lines in the figures are for the purpose of showing environmental structure and form no part of the claimed design.

(56) **References Cited**

U.S. PATENT DOCUMENTS

D339,648 S * 9/1993 Wen-Yung D26/51
D340,999 S * 11/1993 Kua D26/51
D349,170 S * 7/1994 Lin D26/51
D353,905 S * 12/1994 Lin D26/65
D367,124 S * 2/1996 Sherman D26/51
D390,266 S 2/1998 Cheris et al.
D430,215 S * 8/2000 Trombly D19/77
D440,679 S * 4/2001 Lo D26/62
6,279,753 B1 8/2001 Swanson
D456,451 S 4/2002 Slater et al.

1 Claim, 10 Drawing Sheets



(56)

References Cited

U.S. PATENT DOCUMENTS

2006/0209530 A1 9/2006 Schaak
2007/0047218 A1* 3/2007 Hsieh A61L 9/22
362/92
2007/0097689 A1 5/2007 Barausky et al.

* cited by examiner

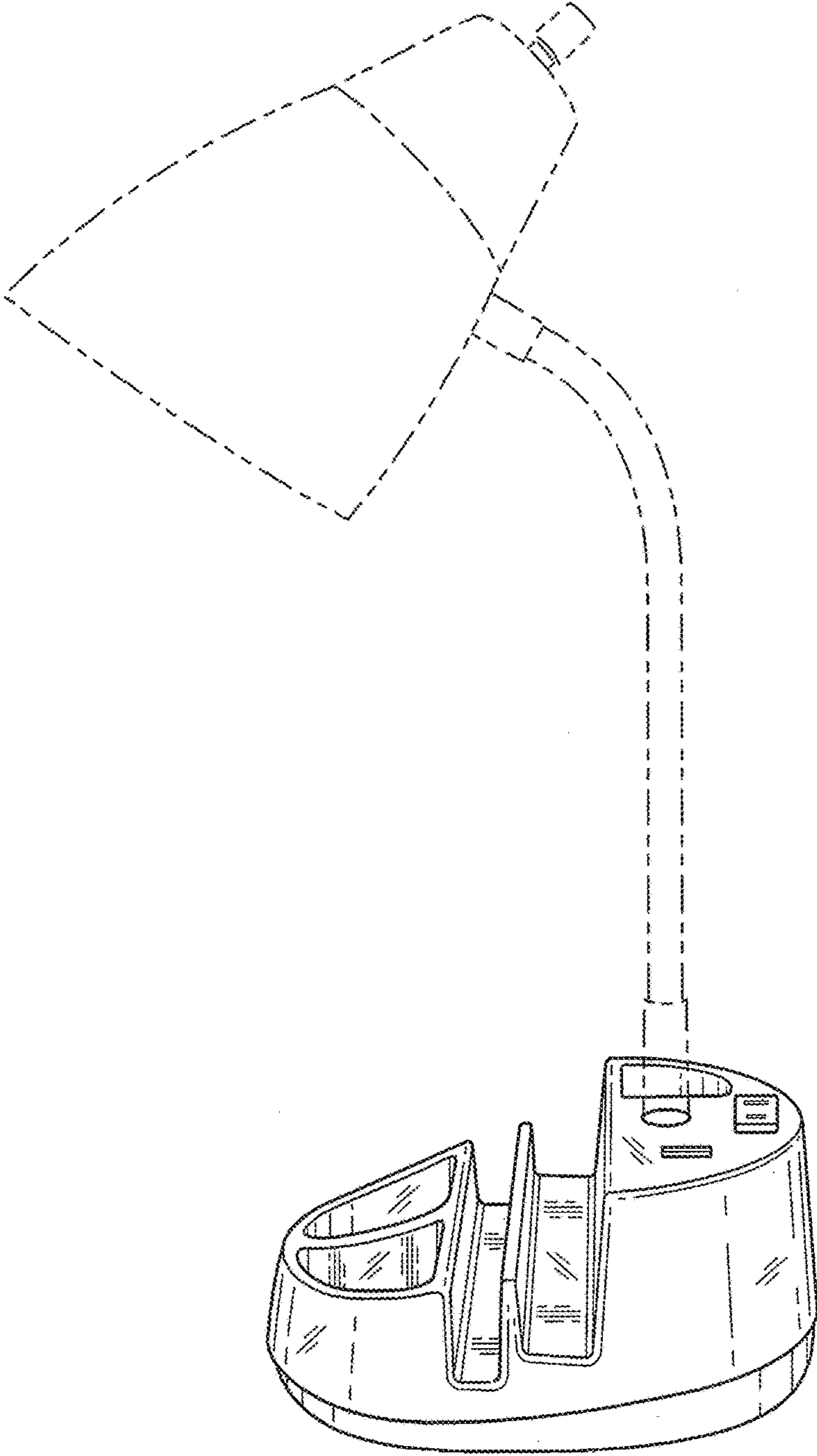


FIG. 1

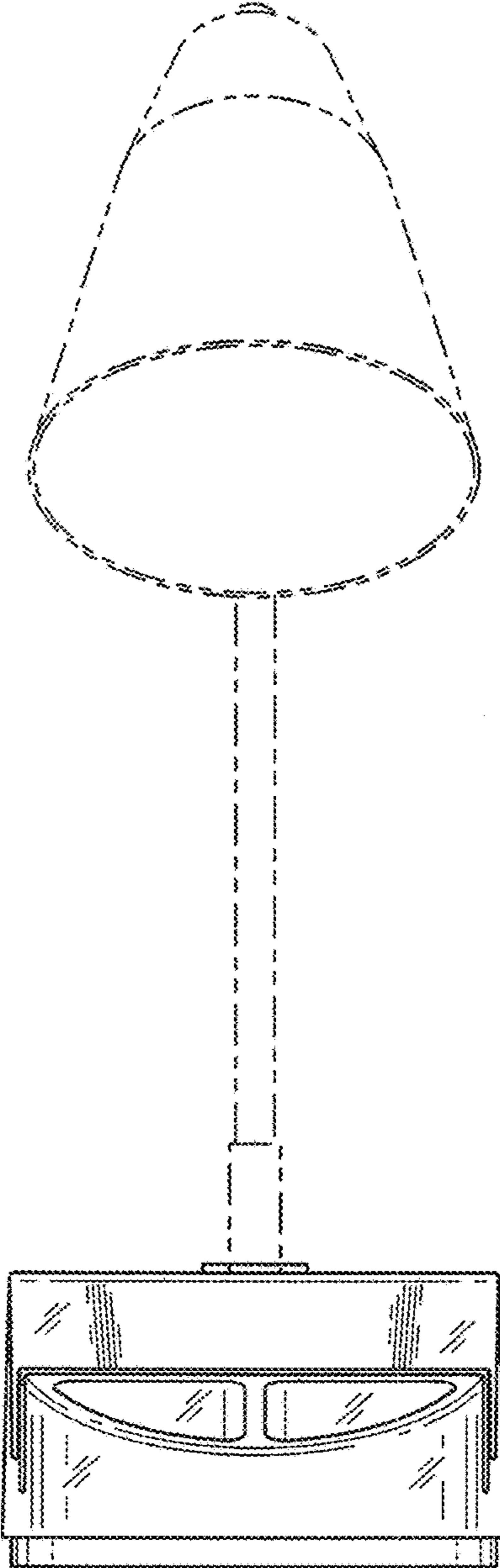


FIG. 2

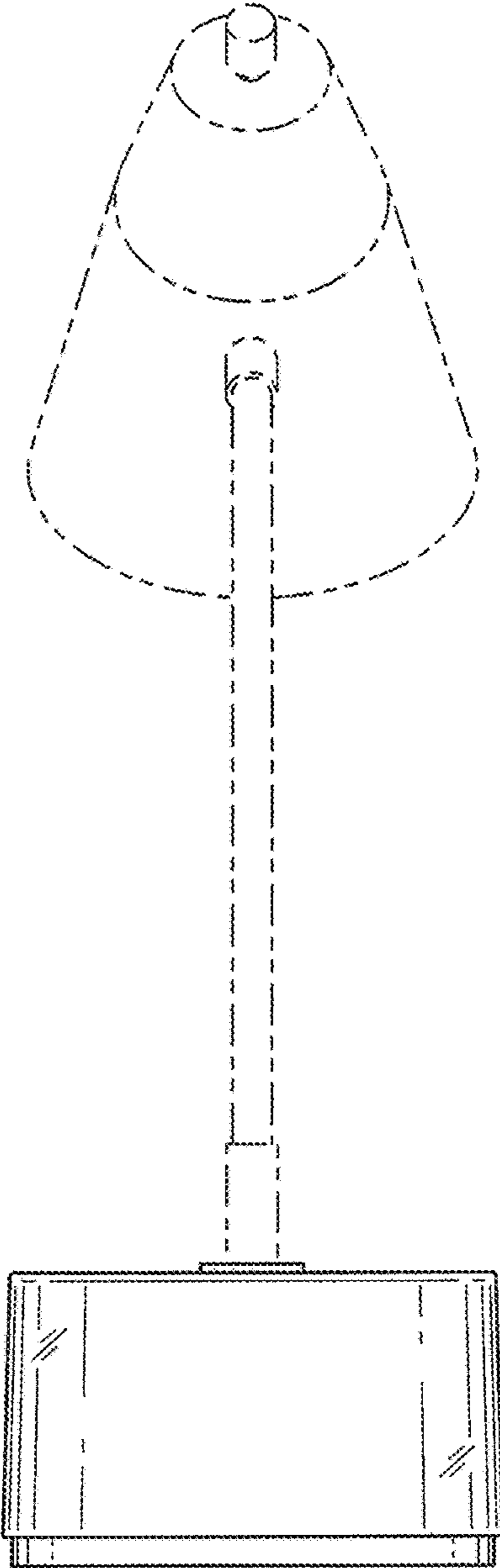


FIG. 3

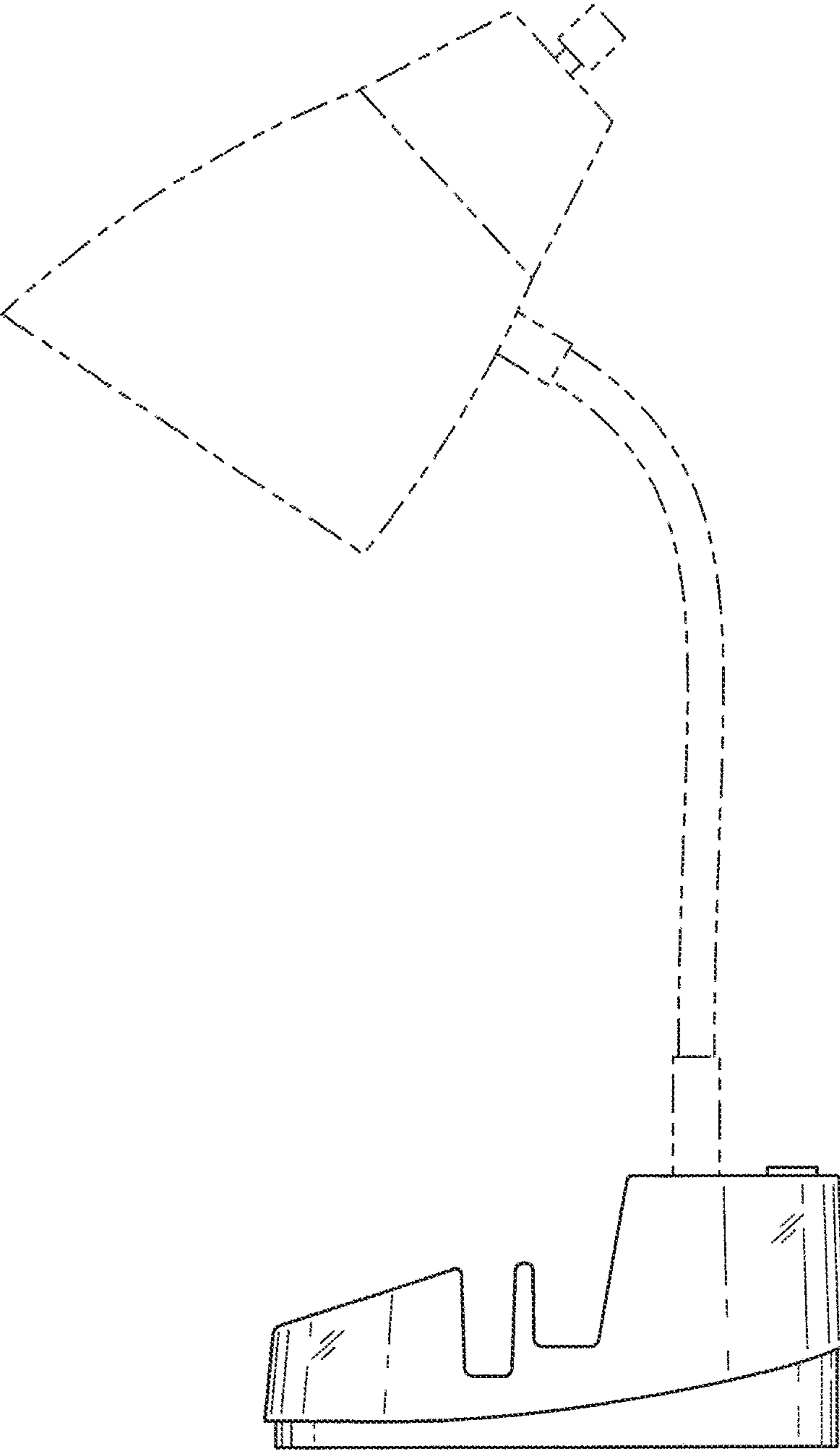


FIG. 4

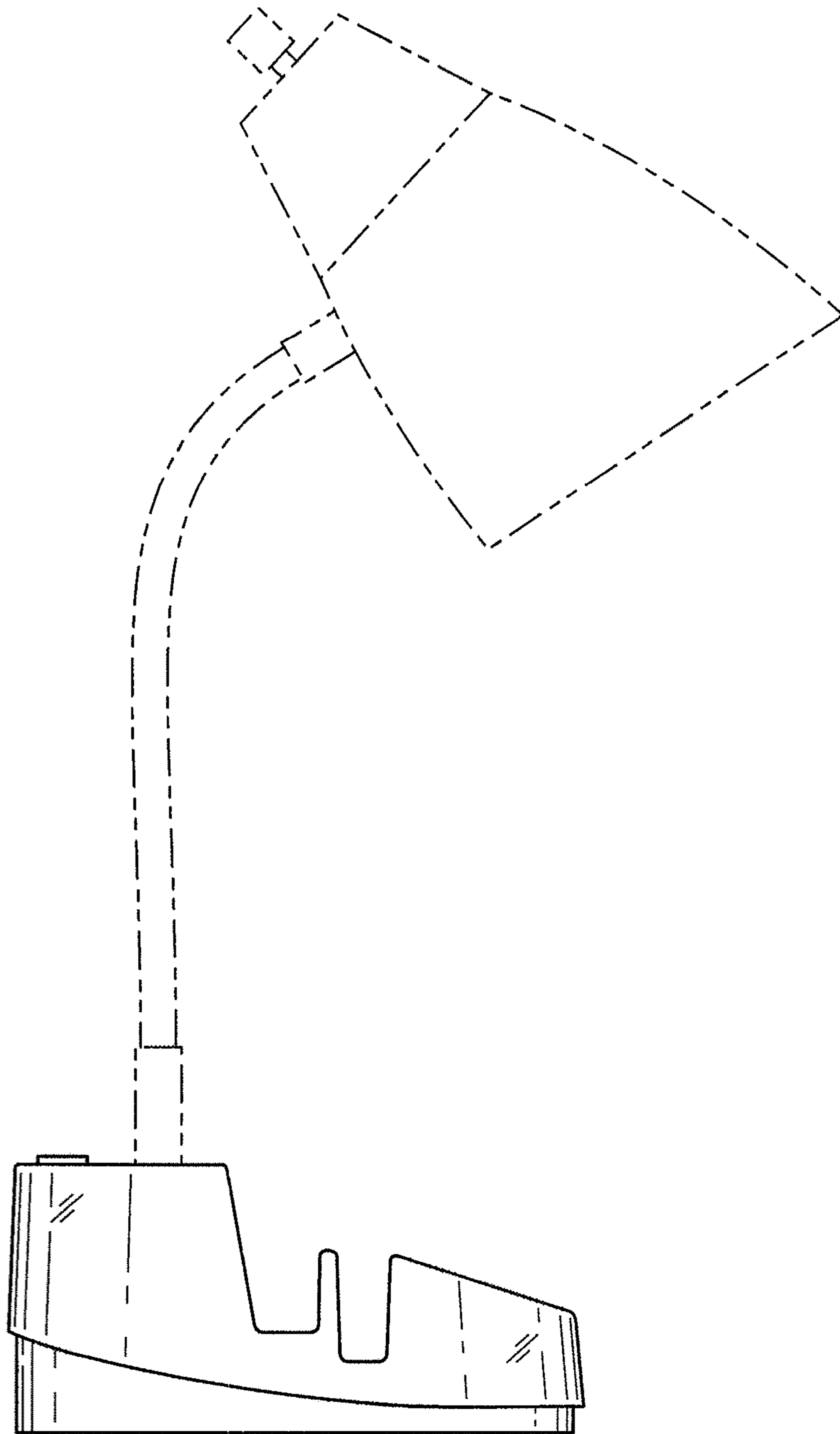


FIG. 5

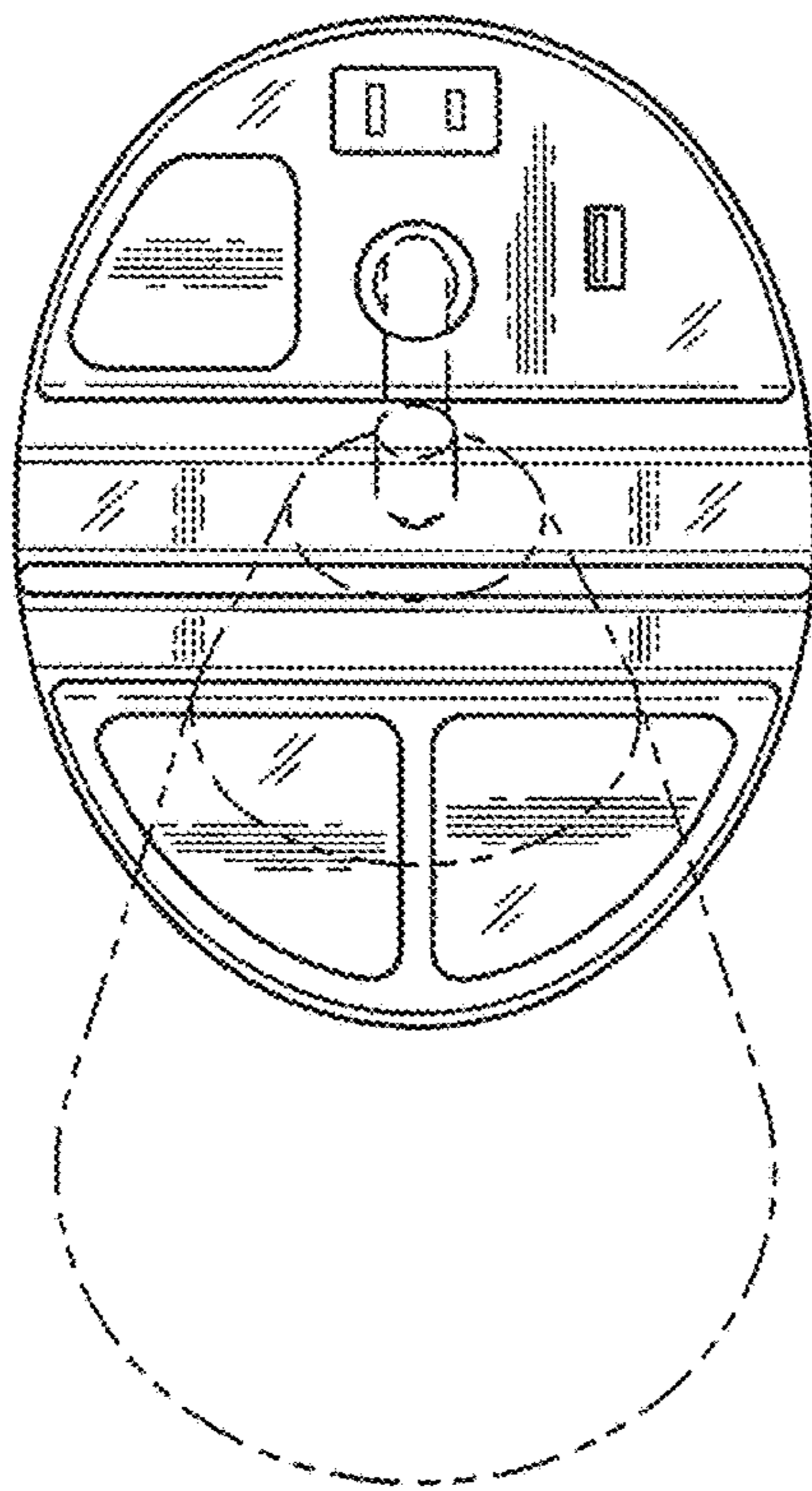


FIG. 6

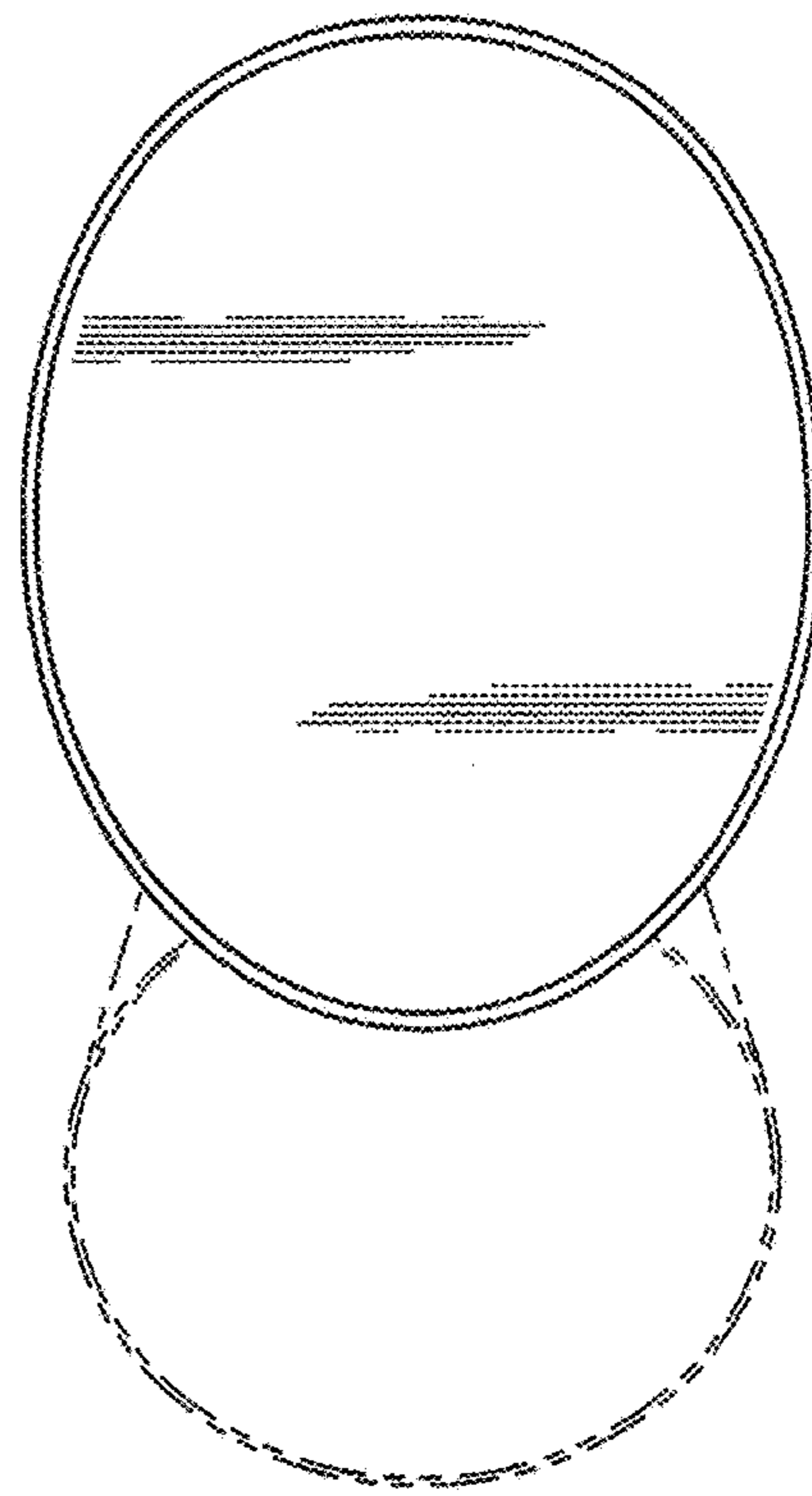


FIG. 7

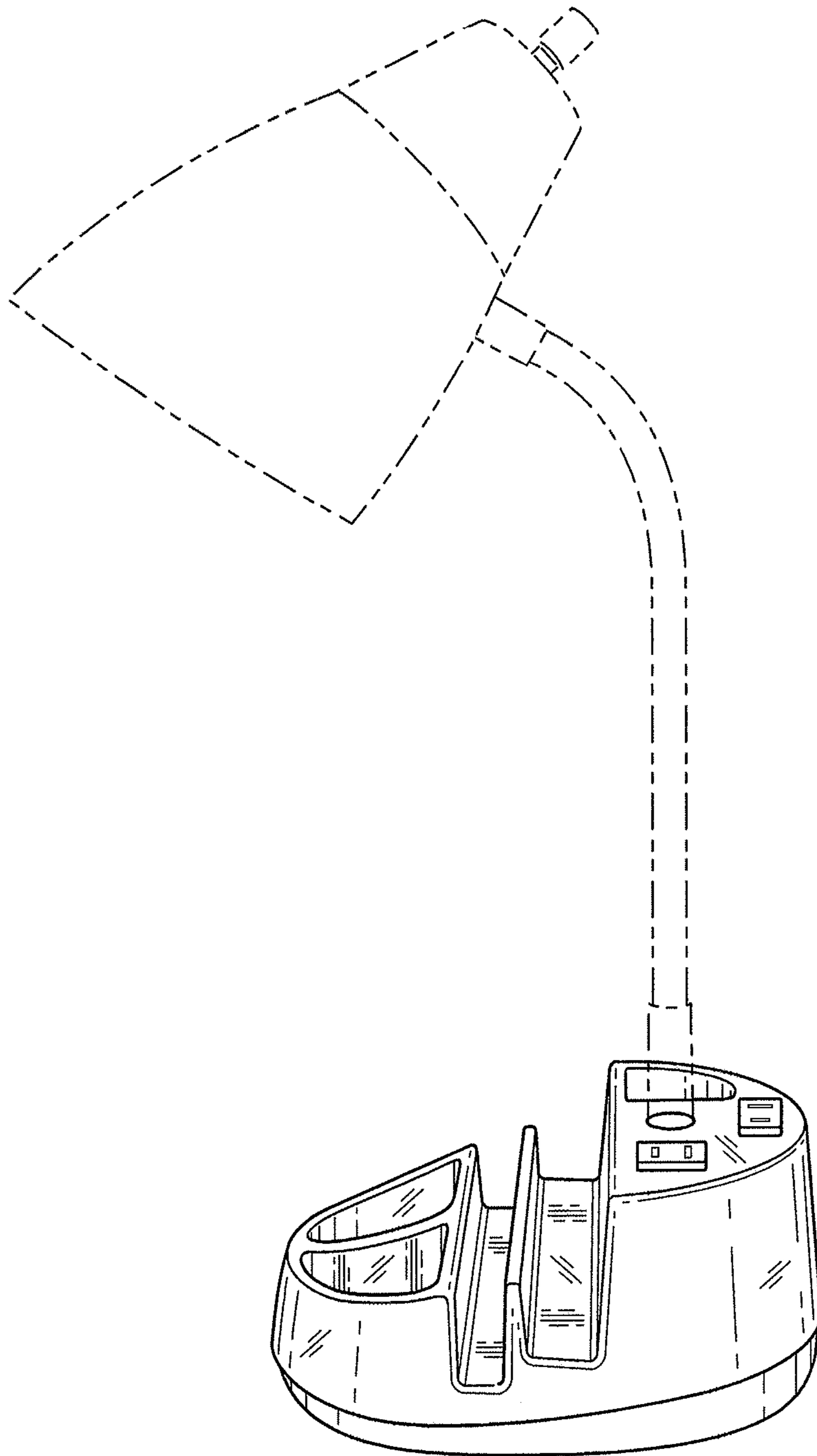


FIG. 8

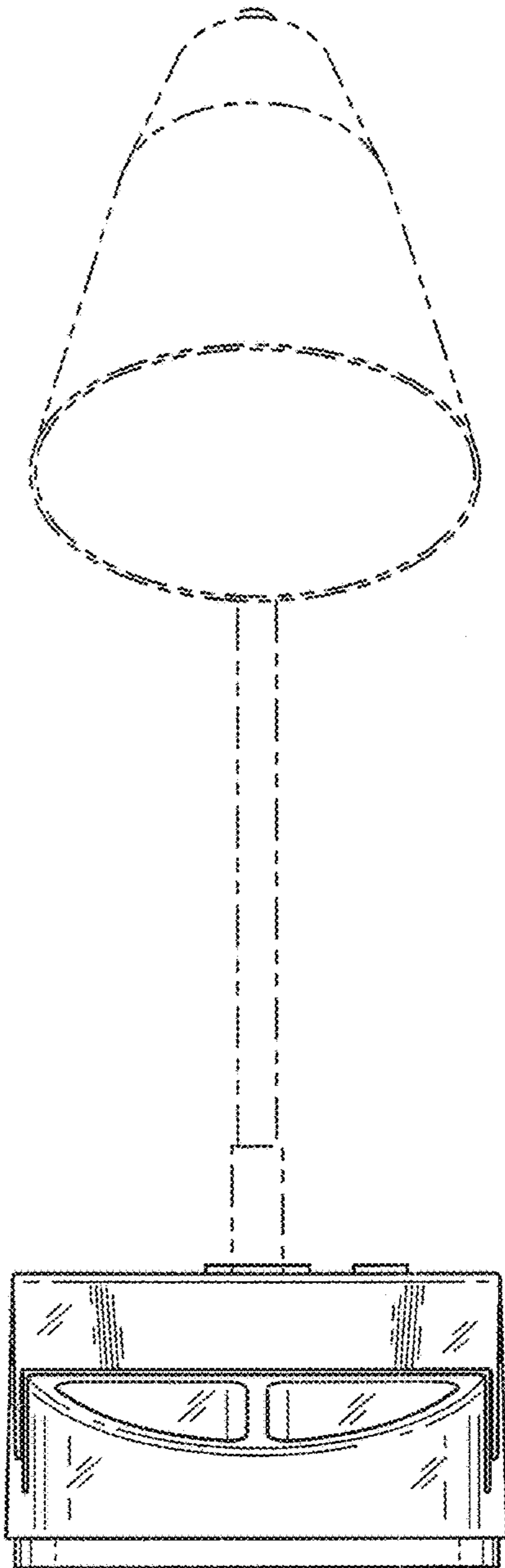


FIG. 9

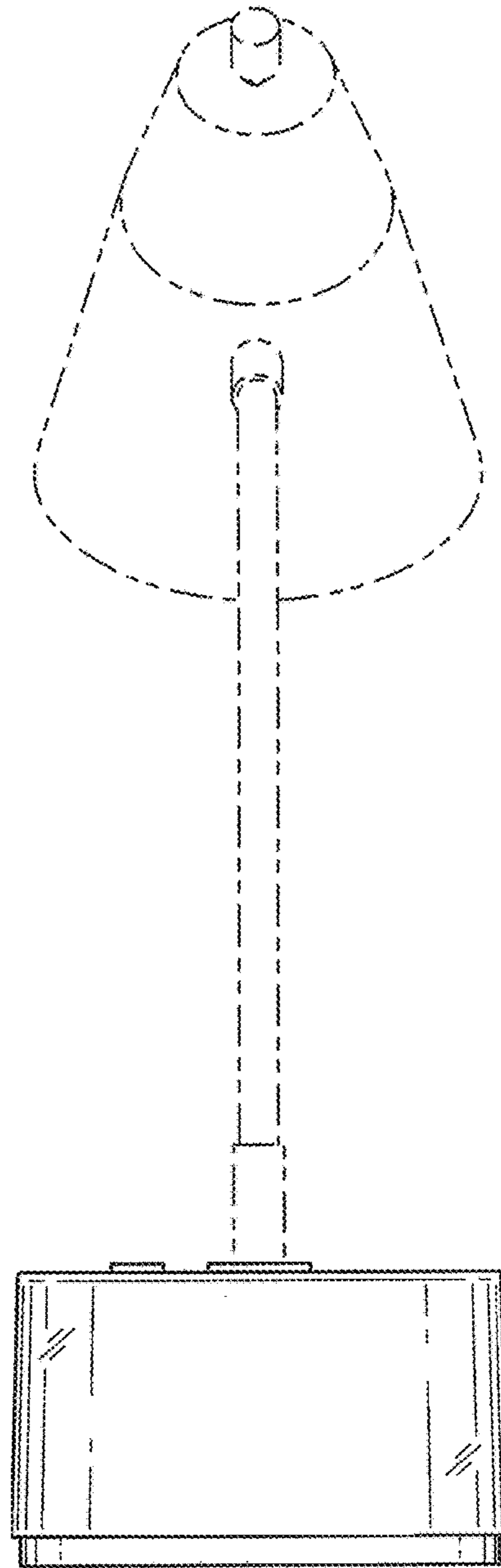


FIG. 10

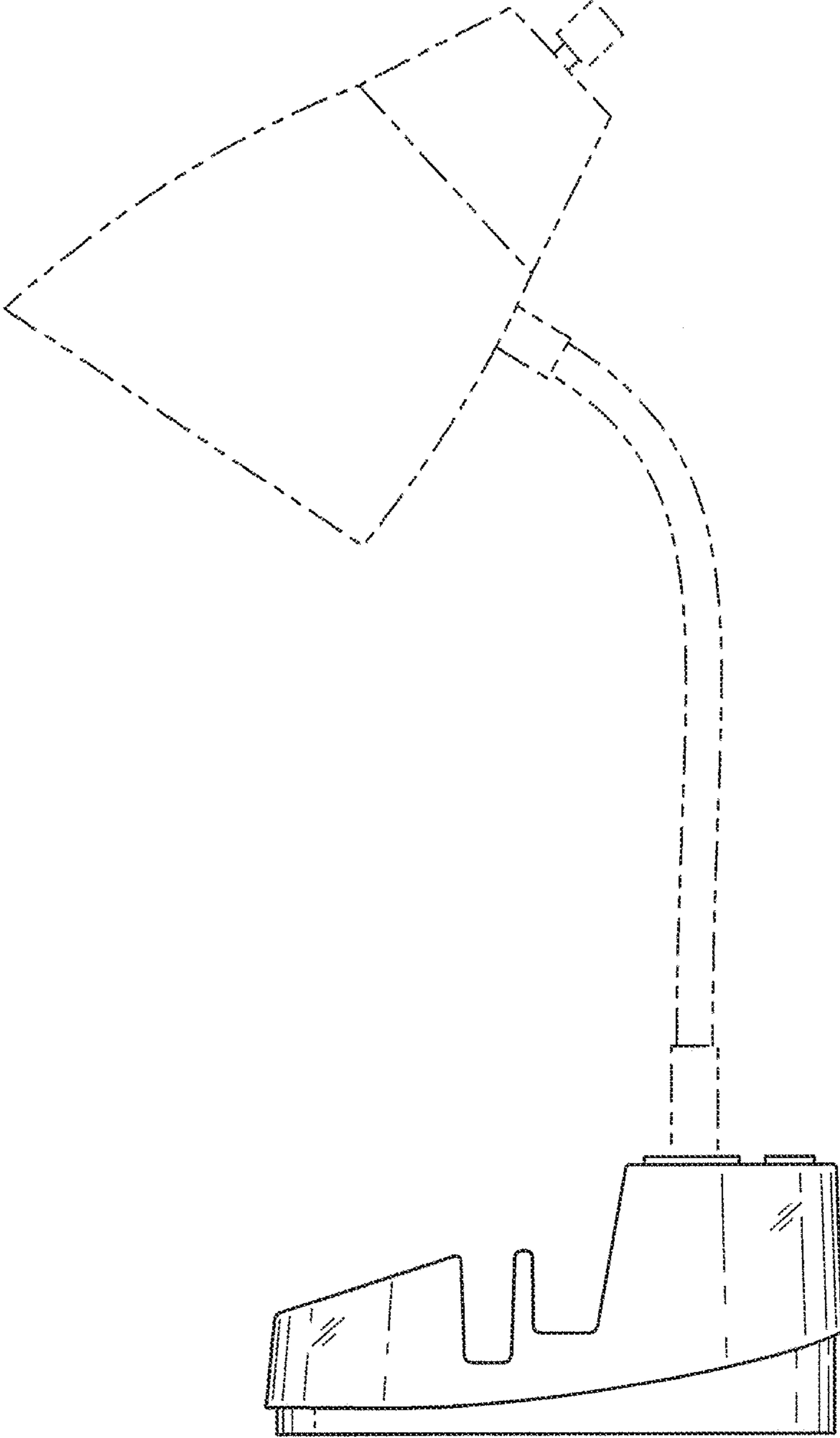


FIG. 11

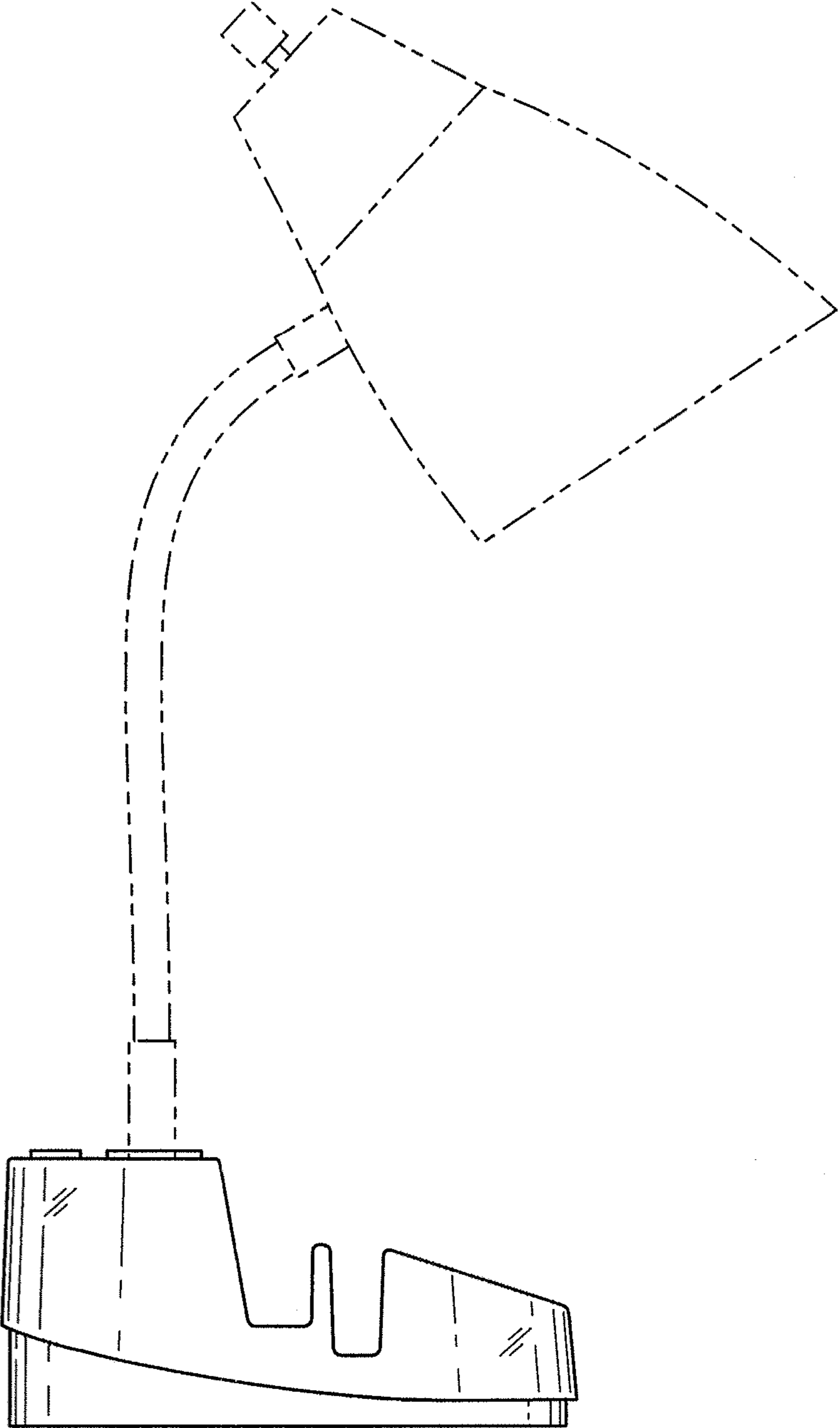


FIG. 12

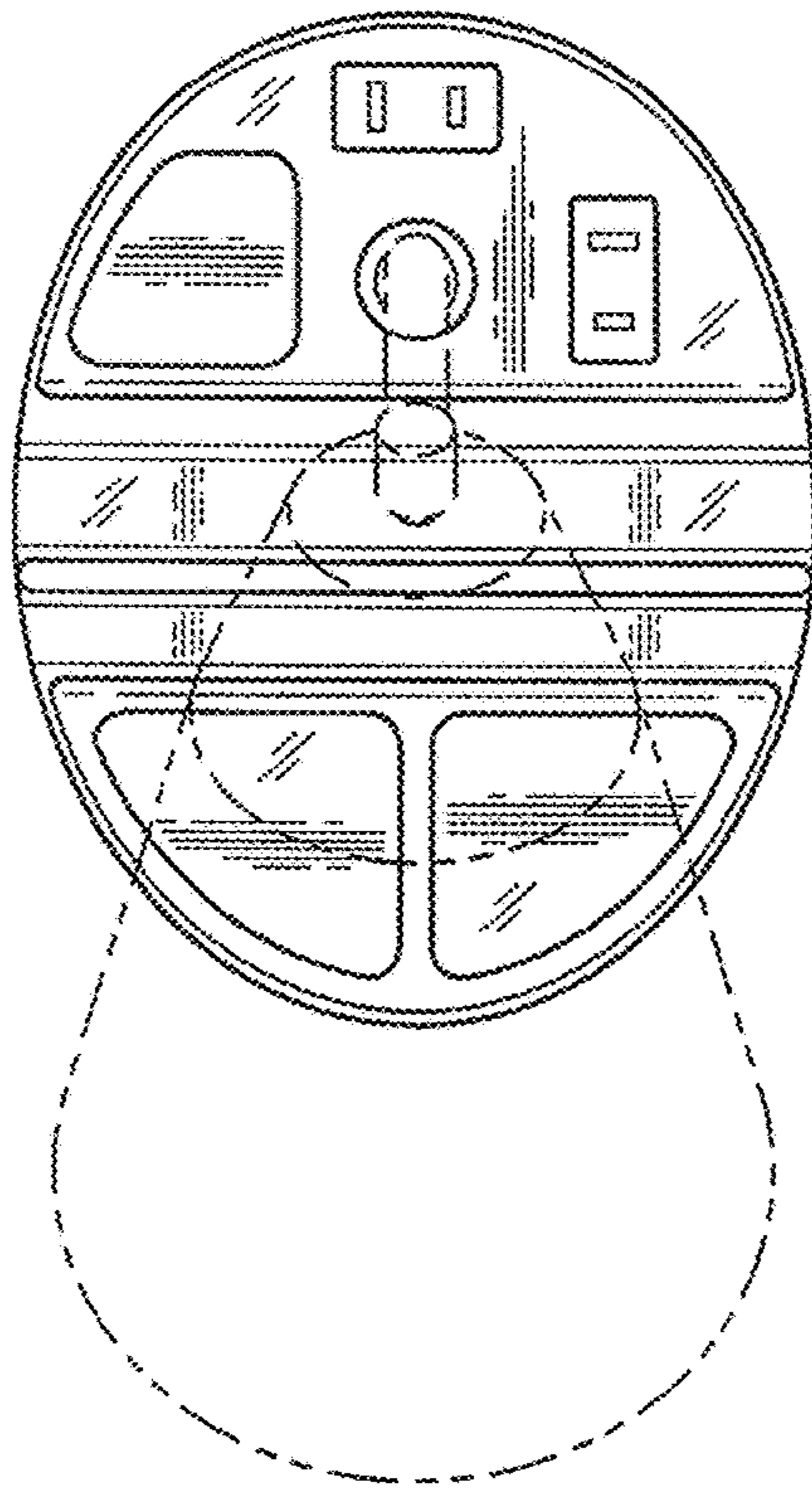


FIG. 13

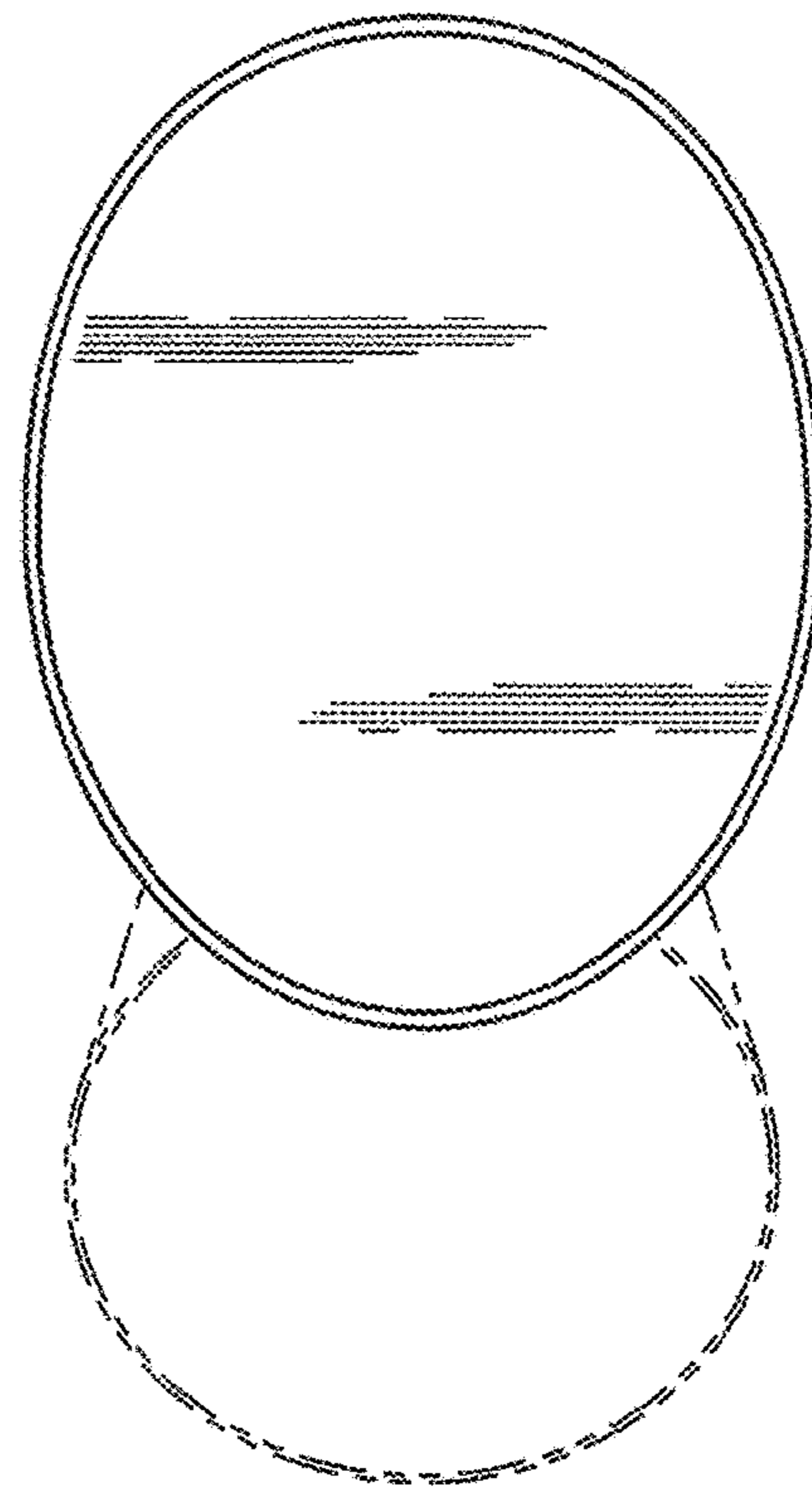


FIG. 14