



US00D774690S

(12) **United States Design Patent**
Feustel et al.

(10) **Patent No.:** **US D774,690 S**

(45) **Date of Patent:** **** Dec. 20, 2016**

(54) **HEADLAMP BRACKET**

(71) Applicant: **Zweibrüder Optoelectronics GmbH & Co. KG**, Solingen (DE)

(72) Inventors: **Stefan Feustel**, Berlin (DE); **Andre Kunzendorf**, Wuppertal (DE)

(73) Assignee: **Zweibrüder Optoelectronics GmbH & Co. KG**, Solingen (DE)

(**) Term: **14 Years**

(21) Appl. No.: **29/497,187**

(22) Filed: **Jul. 22, 2014**

(51) **LOC (10) Cl.** **26-99**

(52) **U.S. Cl.**
USPC **D26/138**

(58) **Field of Classification Search**

USPC D26/76, 78, 79, 80, 81, 82, 83, 85, 86,
D26/88, 90, 113, 118, 119, 120, 121, 122,
D26/138, 139, 140, 141, 142

CPC F21S 2/00; F21S 4/00; F21S 4/003;
F21S 4/005; F21S 4/006; F21S
4/007; F21S 4/008; F21S 6/00; F21S
8/00; F21S 8/024; F21S 8/026; F21S
8/031; F21S 8/033; F21S
8/035-8/037; F21S 8/04; F21S
8/043; F21S 8/063

See application file for complete search history.

(56) **References Cited**

U.S. PATENT DOCUMENTS

D333,012 S * 2/1993 Fleming D26/138
D345,814 S * 4/1994 Wright, III D26/138

D356,391 S * 3/1995 Sugiura D26/138
D402,396 S * 12/1998 Protz, Jr. D26/138
D422,744 S * 4/2000 Losole, III D26/138
D430,699 S * 9/2000 Coleman, Jr. D26/138
D440,005 S * 4/2001 Blanton 24/16 R
D482,489 S * 11/2003 Gary D26/138
D552,453 S * 10/2007 Cronk D8/354
D652,566 S * 1/2012 Kostal D26/138

* cited by examiner

Primary Examiner — George D Kirschbaum

Assistant Examiner — Natasha Vujcic

(74) *Attorney, Agent, or Firm* — Alston & Bird LLP

(57) **CLAIM**

The ornamental design for a headlamp bracket, as shown and described.

DESCRIPTION

FIG. 1 is a perspective view of a headlamp bracket according to my new design;

FIG. 2 is a front elevation view thereof;

FIG. 3 is a back elevation view thereof;

FIG. 4 is a right side view thereof;

FIG. 5 is a left side elevation view thereof;

FIG. 6 is a top side elevation view thereof;

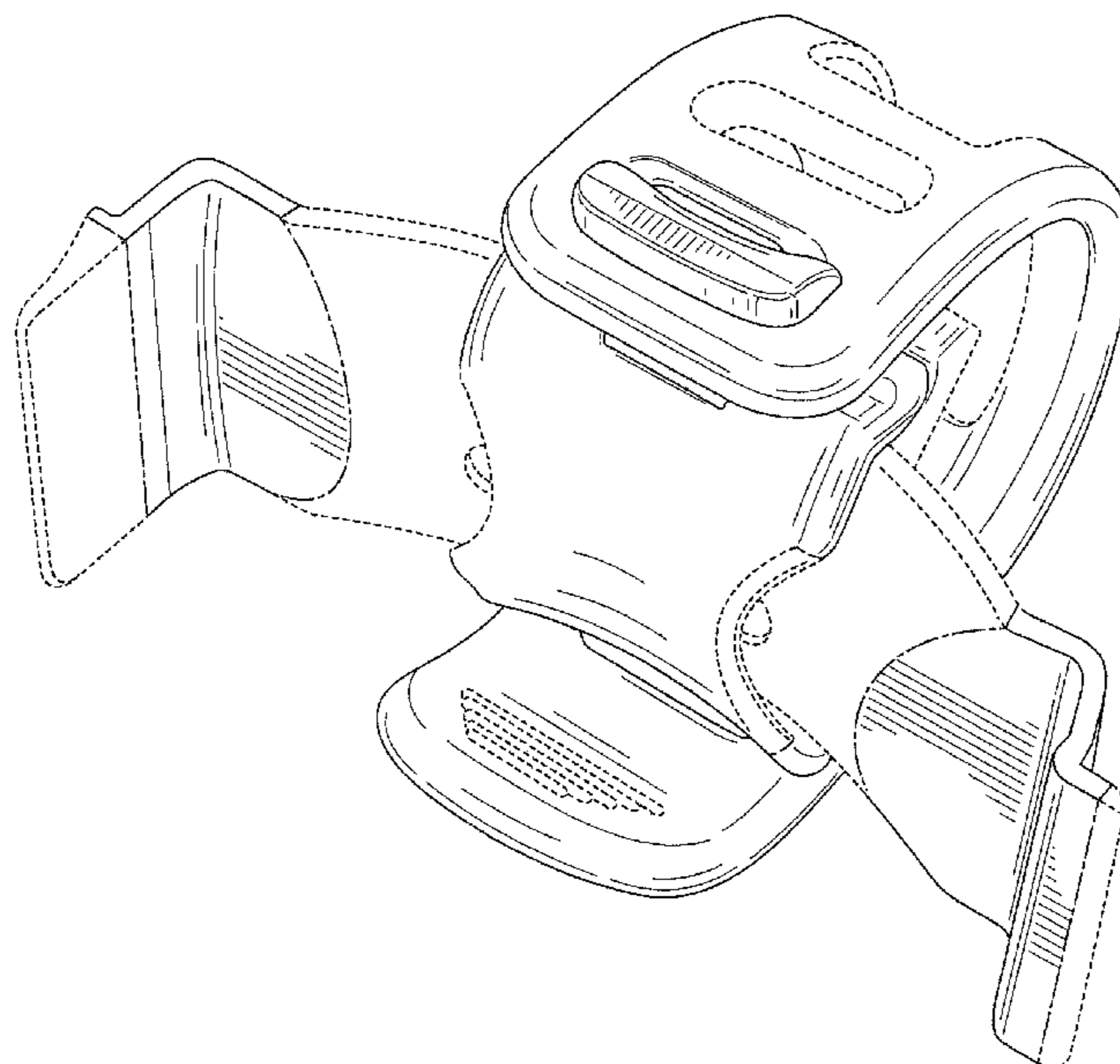
FIG. 7 is a bottom plan elevation view thereof;

FIG. 8 is a frontal perspective view thereof as attached to a headlamp; and,

FIG. 9 is a rear perspective view thereof as attached to a headlamp.

The dot-dash lines adjacent to the shaded areas represent the bounds of the claimed design. The broken lines in the drawings illustrates portions of the headlamp bracket and its environment which forms no part of the claimed design.

1 Claim, 8 Drawing Sheets



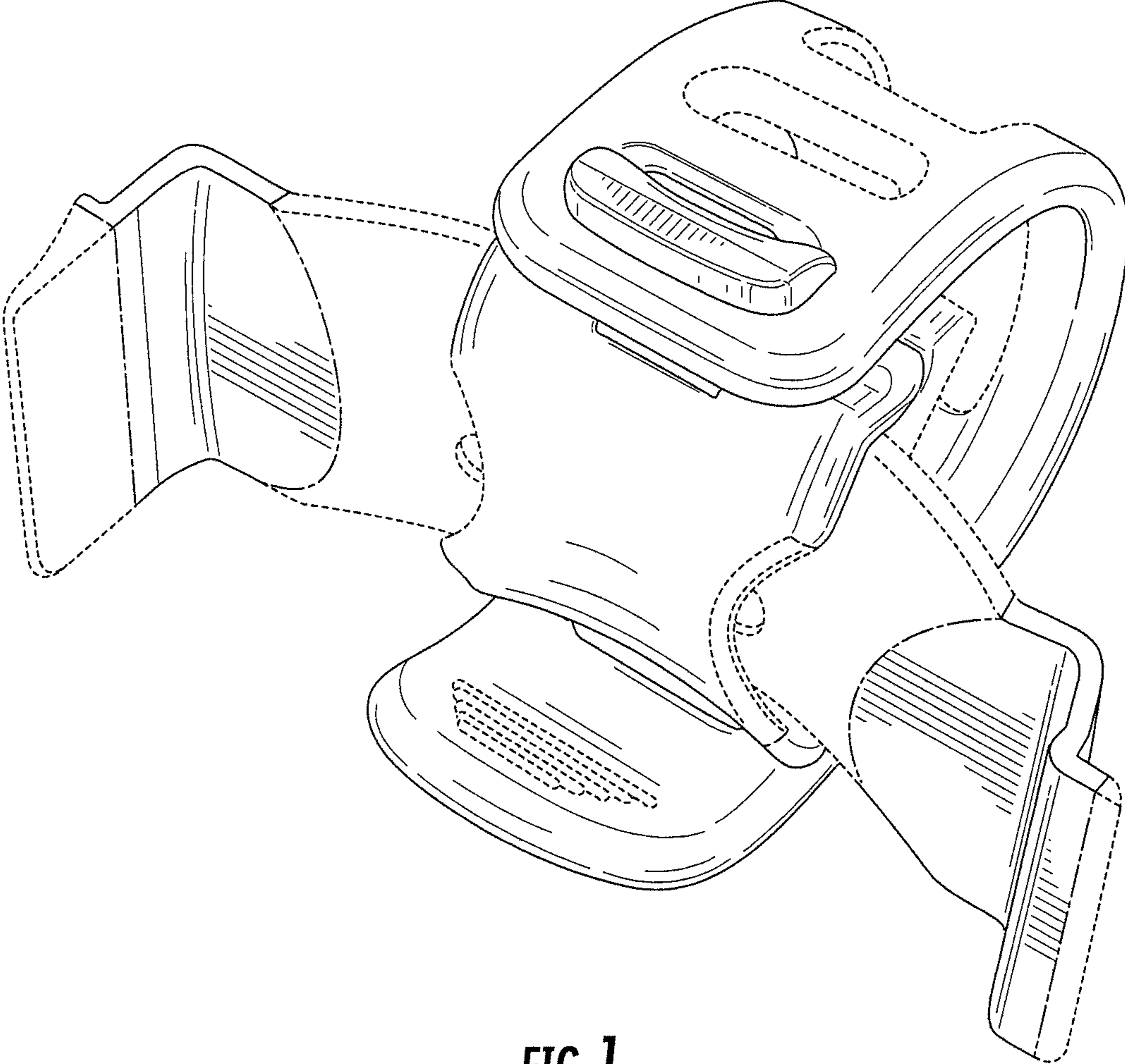


FIG. 1

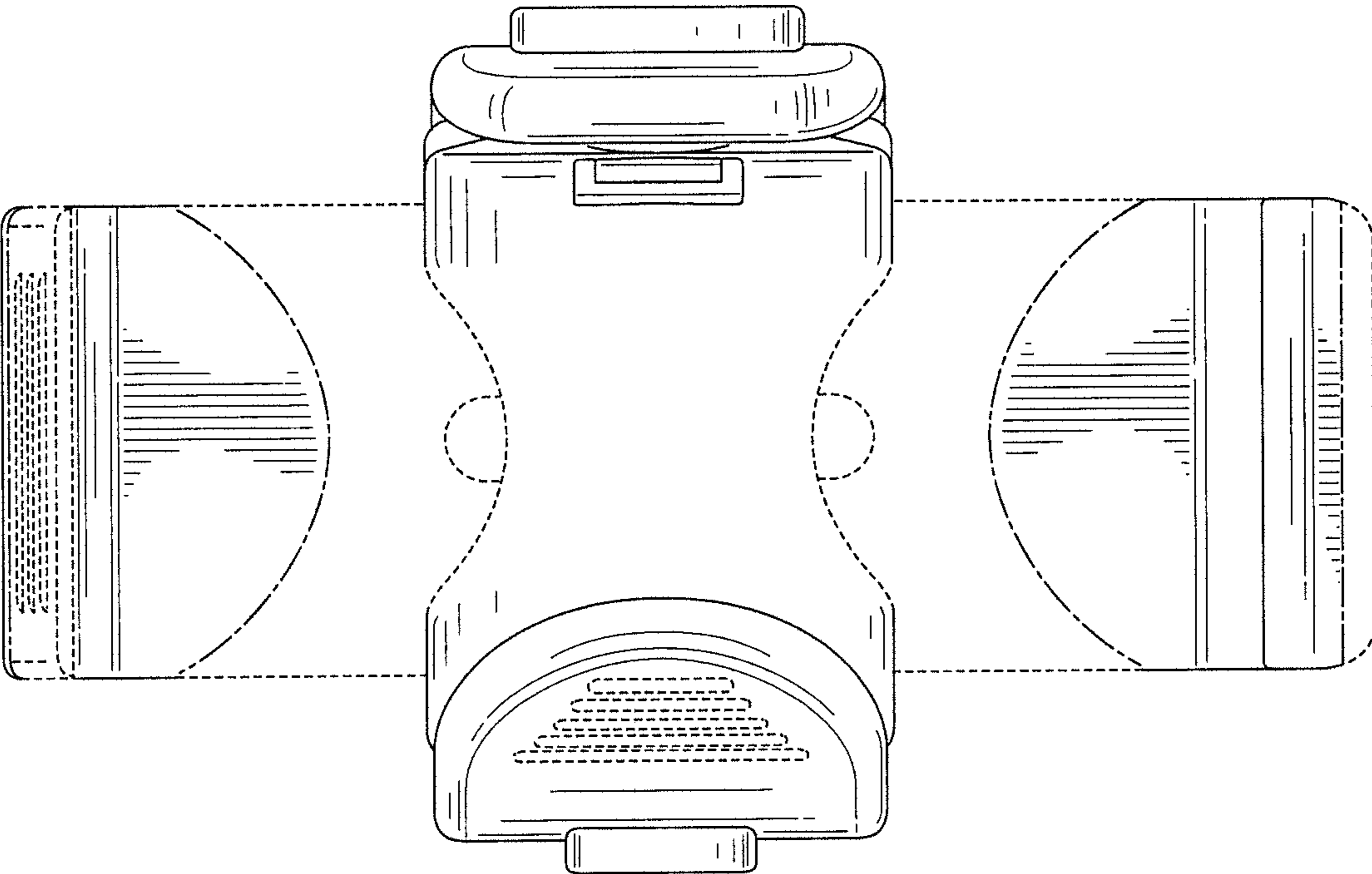


FIG. 2

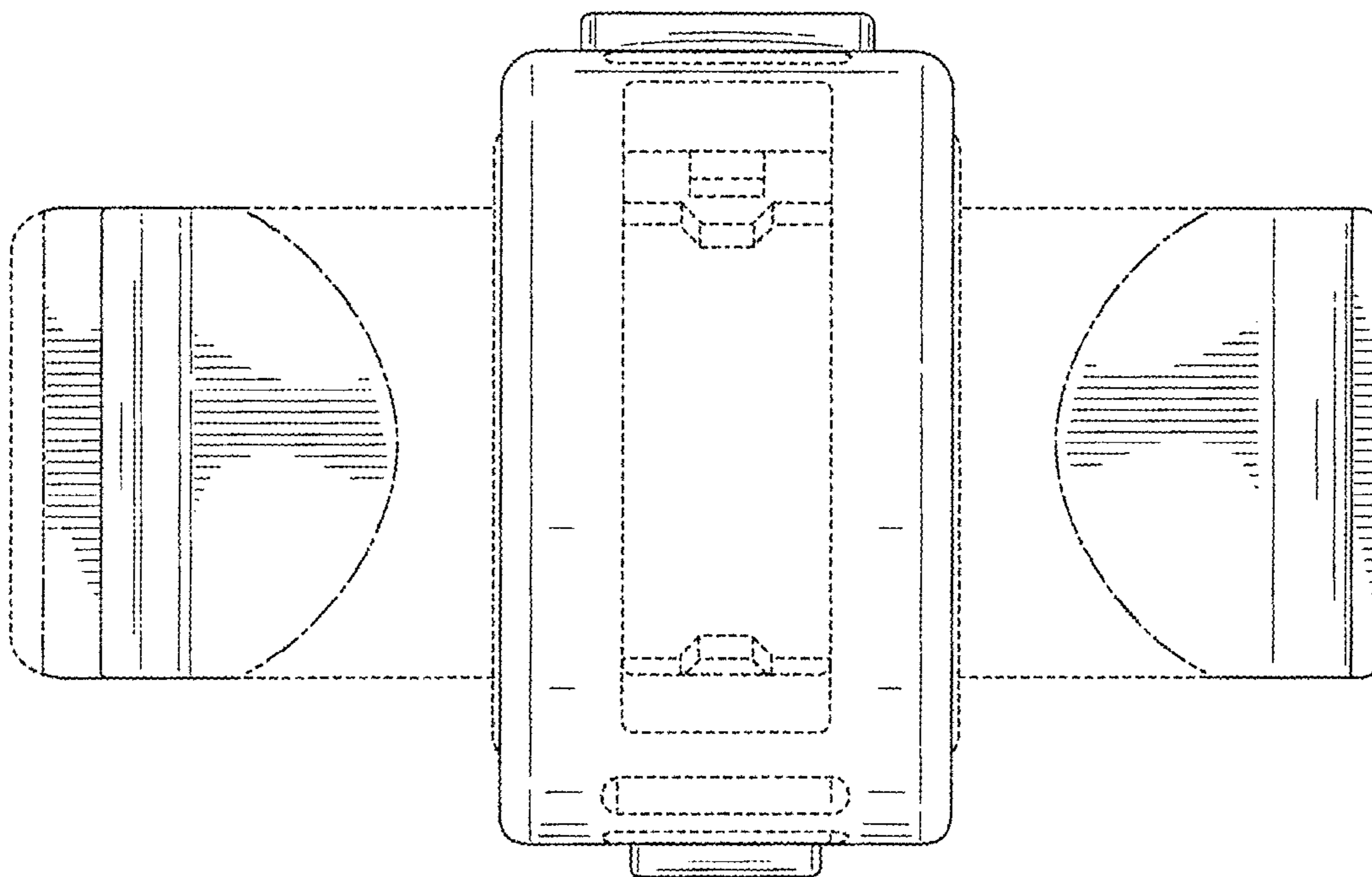


FIG. 3

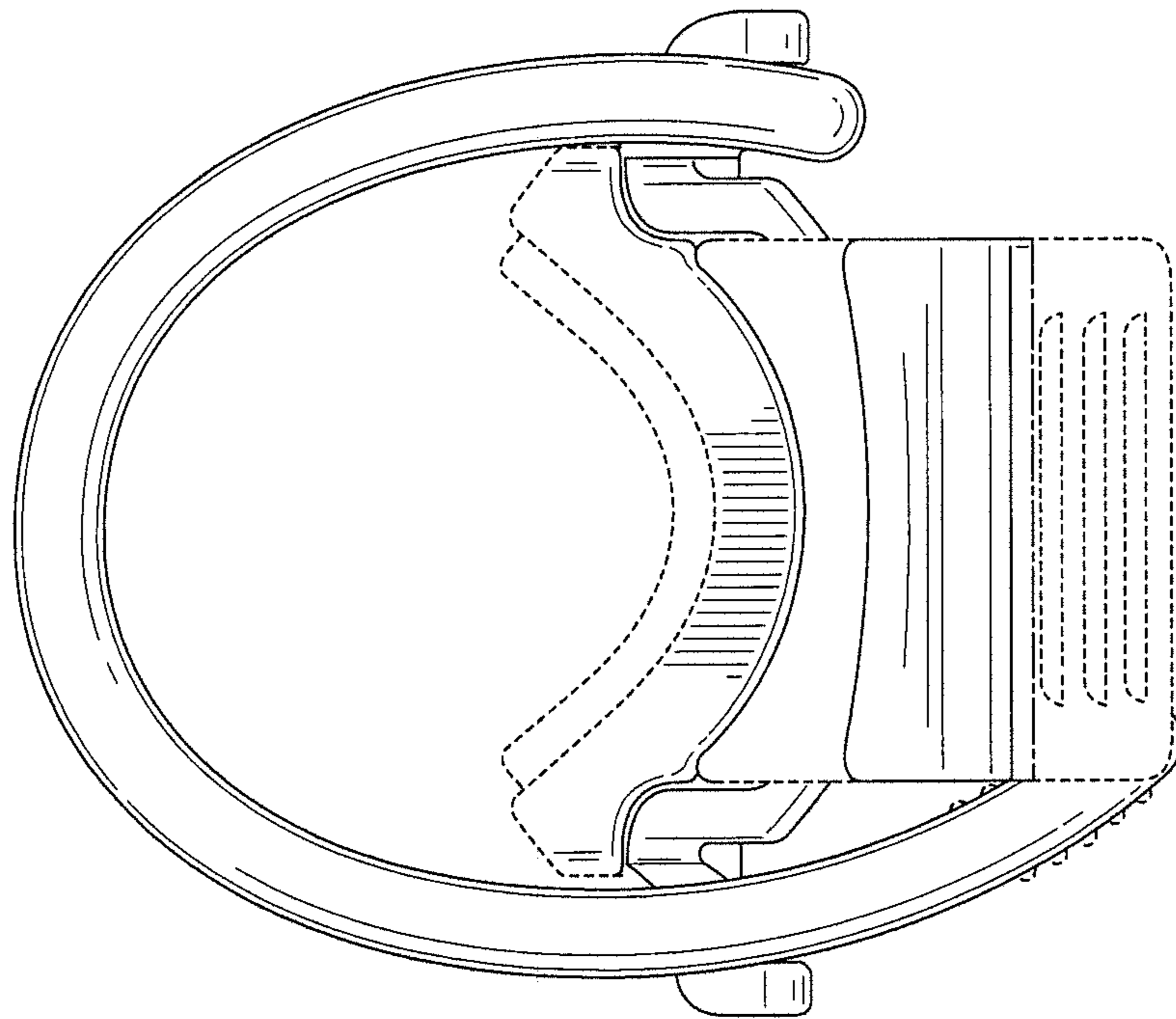


FIG. 4

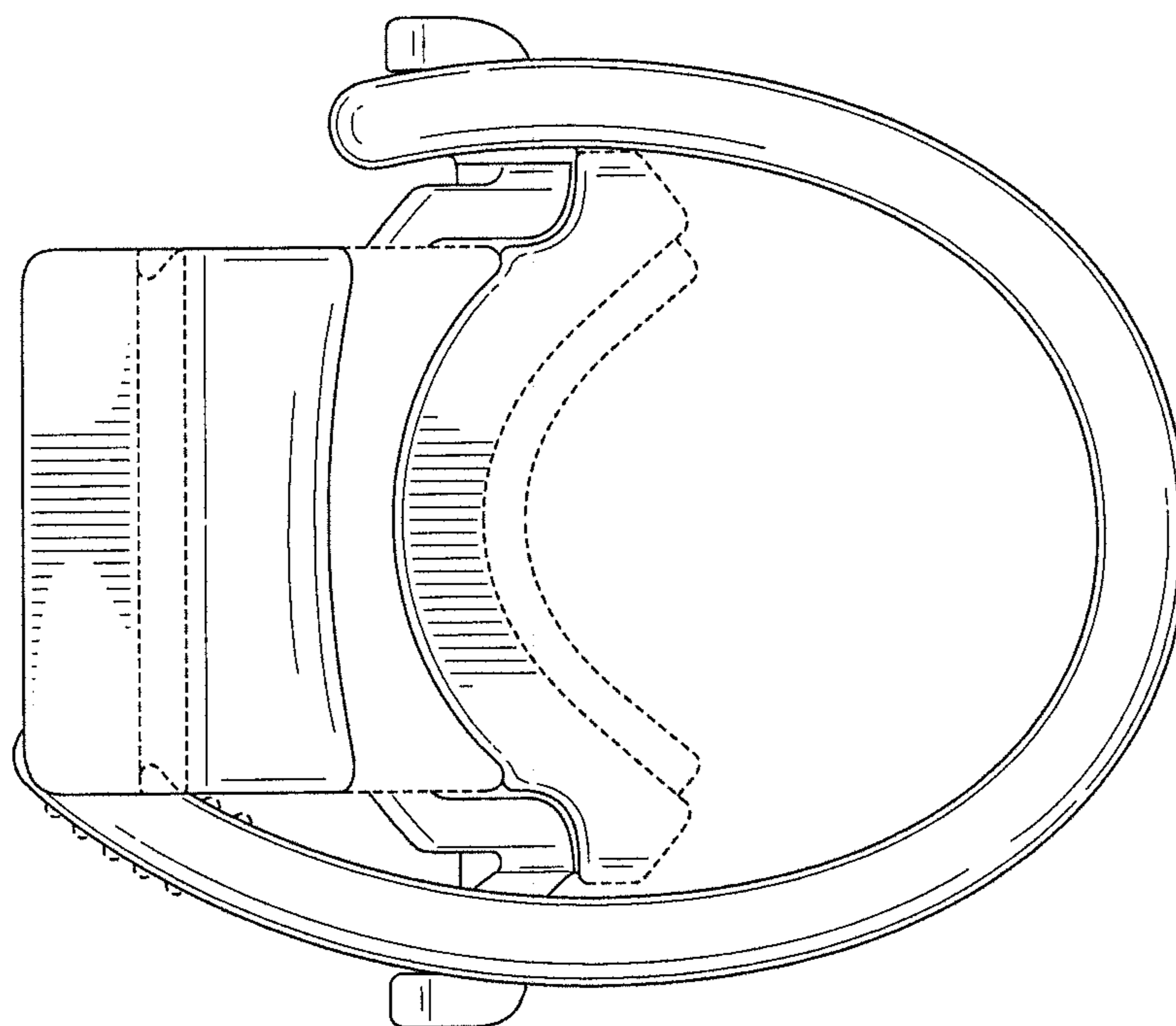


FIG. 5

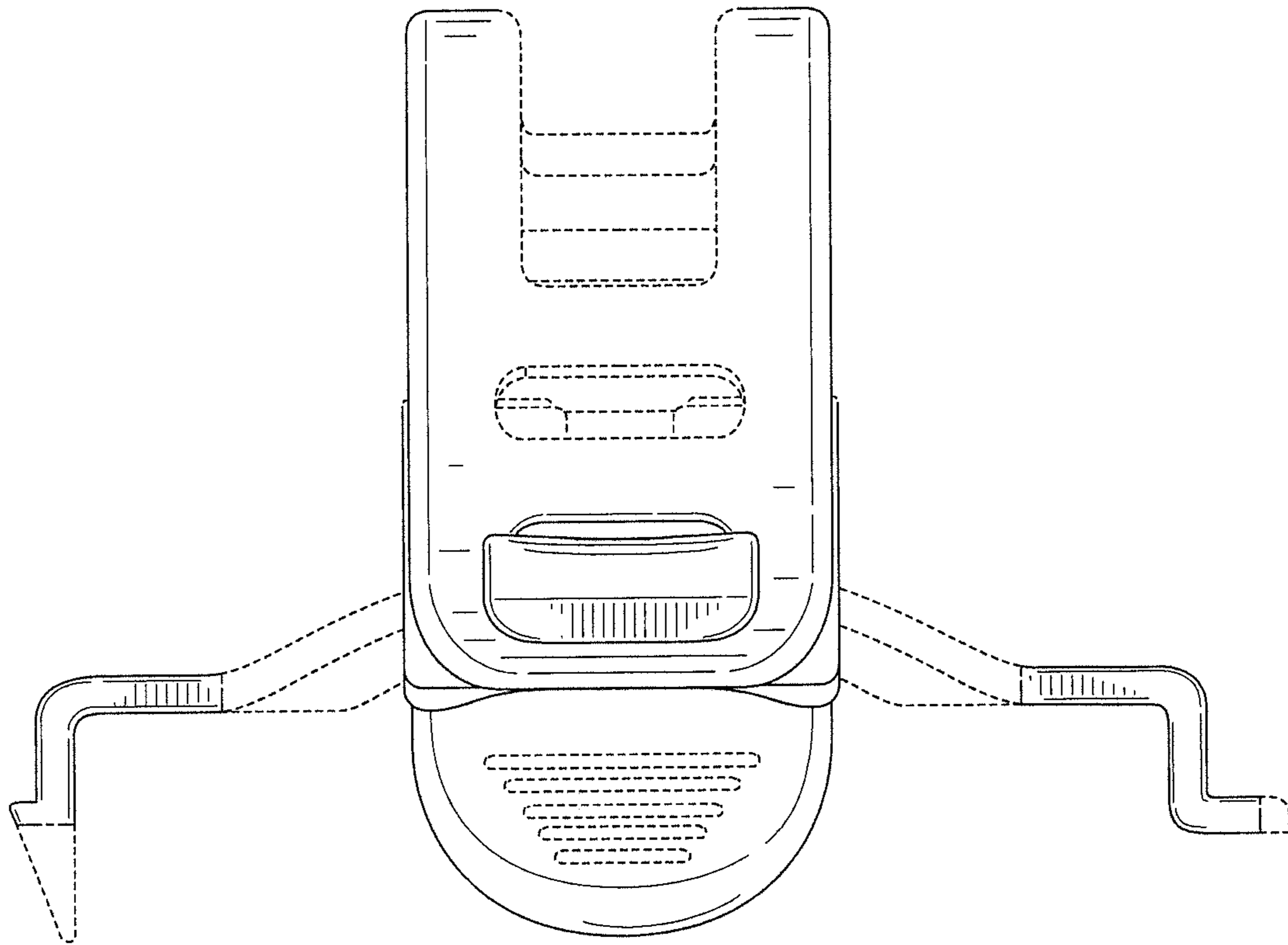


FIG. 6

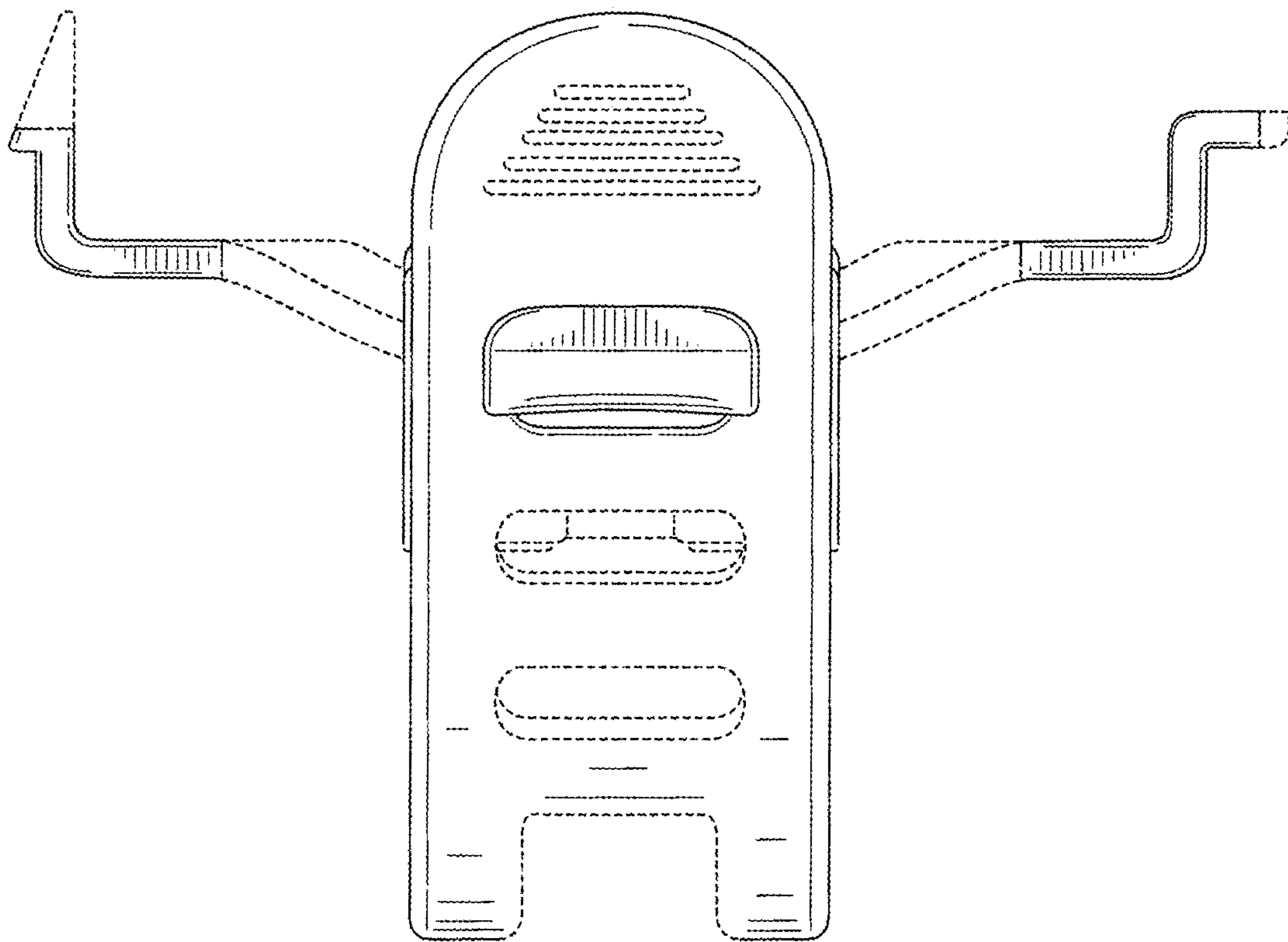


FIG. 7

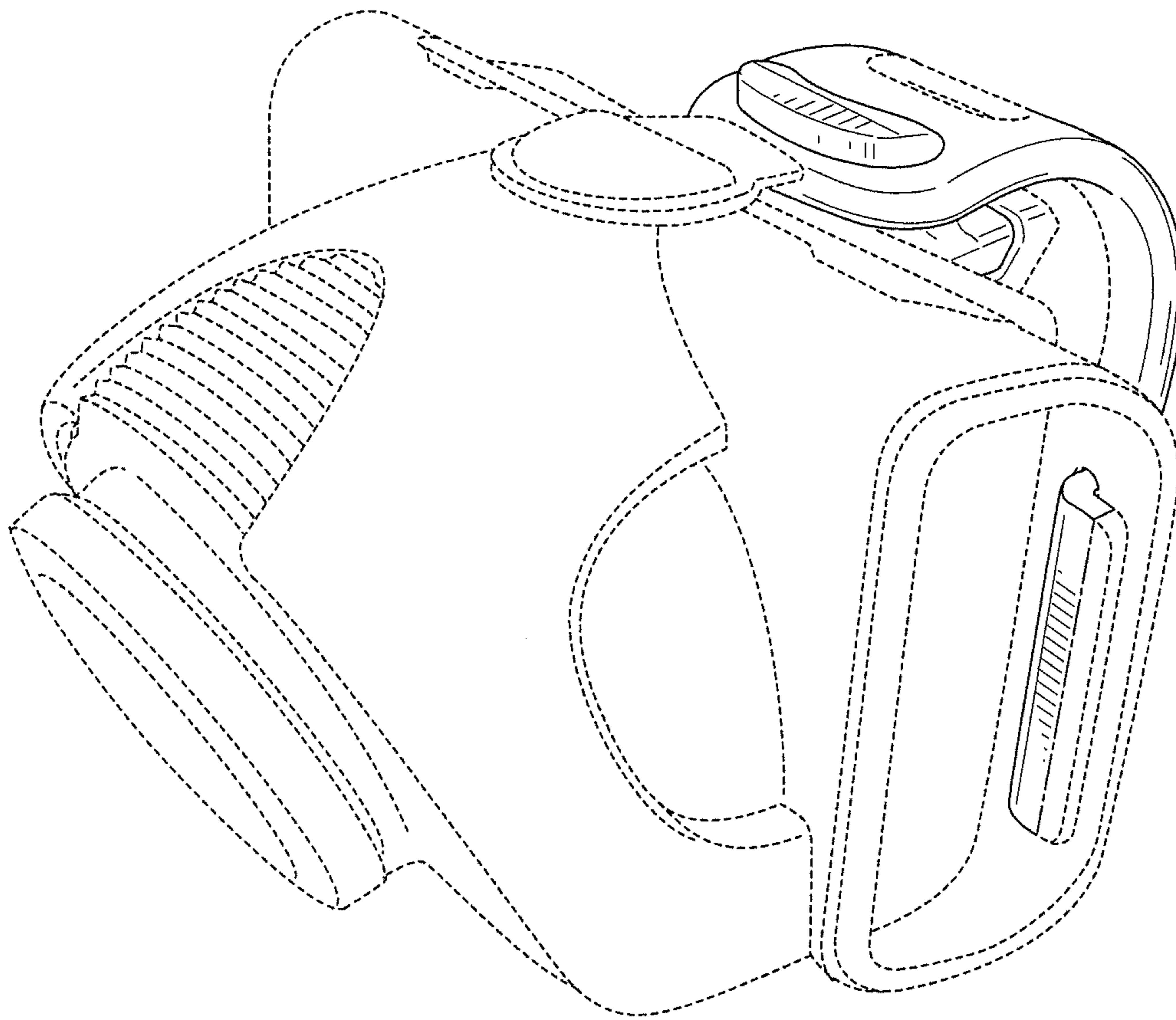


FIG. 8

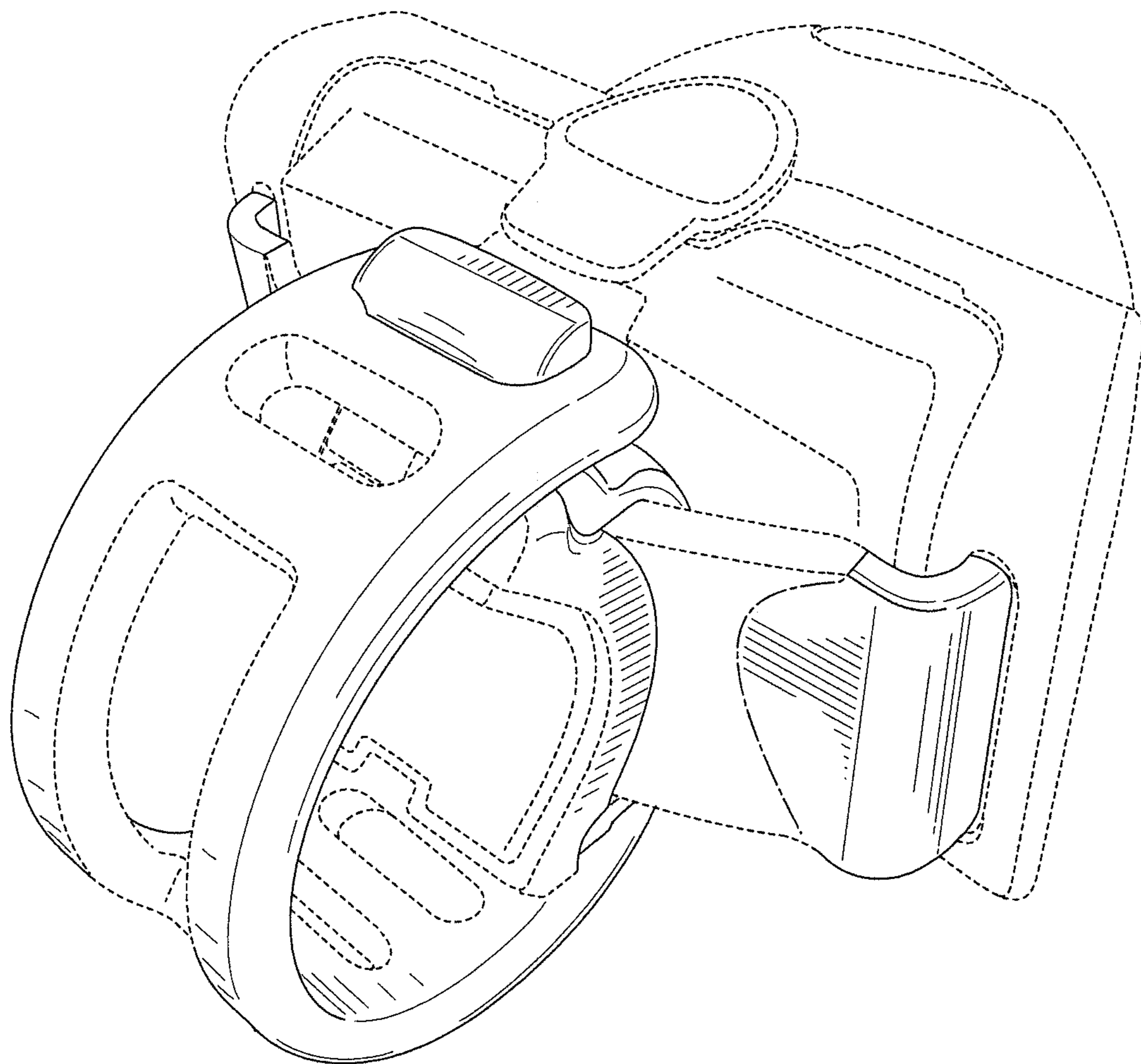


FIG. 9