



US00D774689S

(12) **United States Design Patent**
Terumichi

(10) **Patent No.:** **US D774,689 S**

(45) **Date of Patent:** **** Dec. 20, 2016**

(54) **LIGHT UNIT**

(71) Applicant: **ModuleX Inc.**, Tokyo (JP)

(72) Inventor: **Goro Terumichi**, Tokyo (JP)

(73) Assignee: **MODULEX INC.**, Tokyo (JP)

(**) Term: **14 Years**

(21) Appl. No.: **29/518,887**

(22) Filed: **Feb. 27, 2015**

(30) **Foreign Application Priority Data**

Aug. 28, 2014 (JP) 2014-018956

(51) **LOC (10) Cl.** **26-99**

(52) **U.S. Cl.**
USPC **D26/124**

(58) **Field of Classification Search**

USPC D26/5, 6, 9, 10, 11, 12, 13, 15, 16,
24,D26/51, 61, 72, 76, 79, 80, 81, 85, 86,
88, 90,D26/113, 114, 116, 118, 119, 120,
121, 122,D26/127, 128, 129, 131, 135,
137, 138, 143,D26/144, 180, 2, 28, 60,
89, 104, 124, 142, 103,D26/107, 108,
179, 145, 102

(Continued)

(56) **References Cited**

U.S. PATENT DOCUMENTS

D413,689 S * 9/1999 Hussaini D26/29
6,497,495 B1 * 12/2002 Janz A63H 33/042
362/191

(Continued)

OTHER PUBLICATIONS

Wall washer downlight, image post date 2016, site visited Jul. 25,
2016, (online), <<http://www.modulex.jp/products/SX-B4456D>>.*

(Continued)

Primary Examiner — Kevin Rudzinski

Assistant Examiner — Sean D Lough

(74) *Attorney, Agent, or Firm* — Browdy and Neimark,
PLLC

(57) **CLAIM**

The ornamental design for a light unit, as shown and
described.

DESCRIPTION

FIG. 1 is a front right perspective view of a light unit
according to the present design;

FIG. 2 is a front view thereof;

FIG. 3 is a rear view thereof;

FIG. 4 is a rear perspective view thereof;

FIG. 5 is a right side view thereof;

FIG. 6 is a left side view thereof;

FIG. 7 is a top view thereof;

FIG. 8 is a bottom view thereof;

FIG. 9 is a cross-sectional view along the line 9-9 in FIG. 2;

FIG. 10 is a cross-sectional view along the line 10-10 in FIG.
2;

FIG. 11 is a cross-sectional view along the line 11-11 in FIG.
2;

FIG. 12 is a front right perspective view in a different
direction than FIG. 1;

FIG. 13 is a front left perspective view according to the
present design;

FIG. 14 is a front left perspective view in a different
direction than FIG. 13;

FIG. 15 is a front right perspective view in a different
direction than FIG. 1;

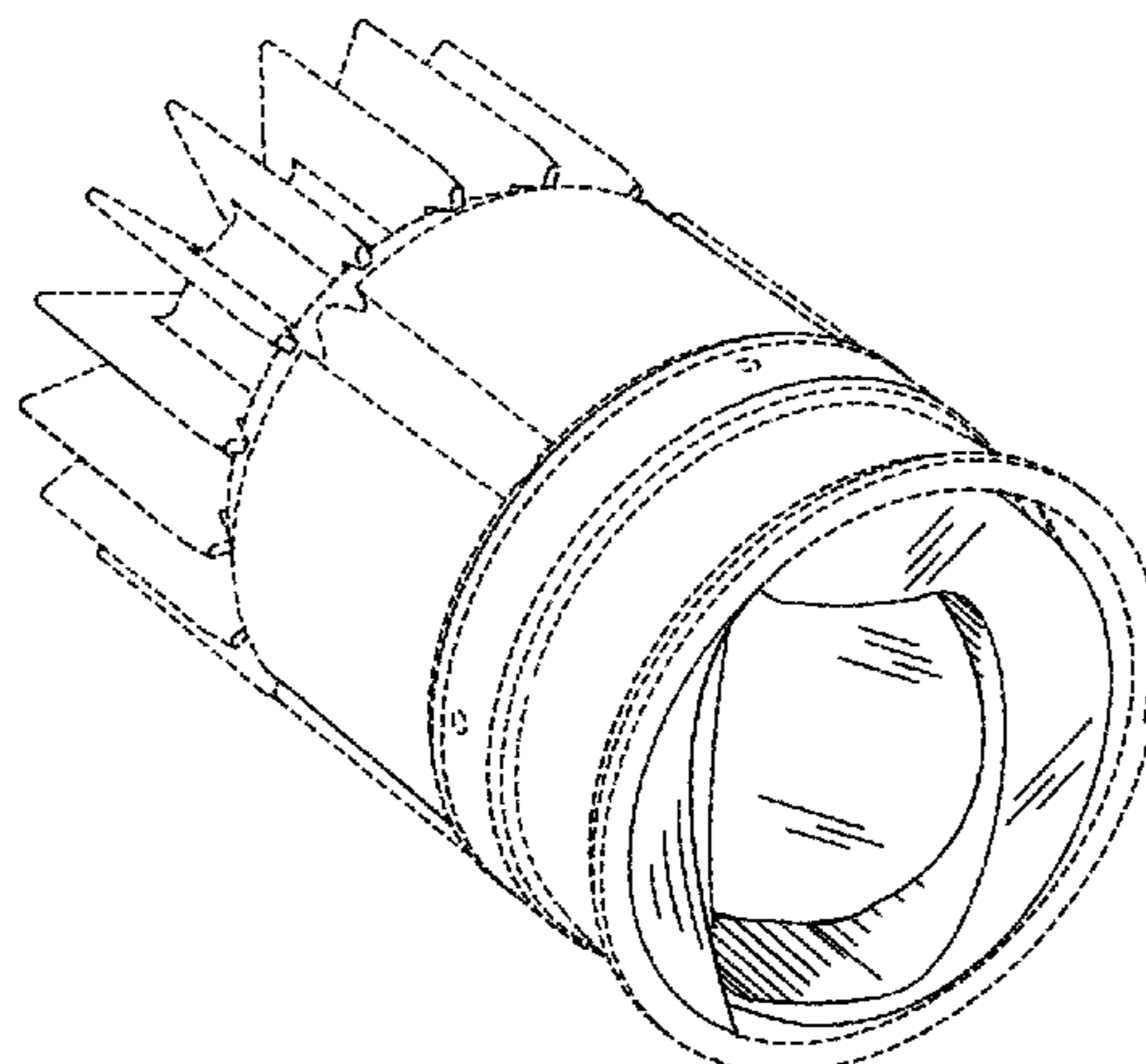
FIG. 16 is a front left perspective view in a different
direction than FIG. 13;

FIG. 17 is an exploded perspective view showing the design
of the cover according to the present design; and,

FIG. 18 is an exploded perspective view showing the design
of the cover according to the present design.

The broken lines immediately adjacent the shaded areas
represent the bounds of the claimed design and form no part

(Continued)



of the claimed design while all other broken lines are directed to environment of the light unit and form no part of the claimed design.

1 Claim, 9 Drawing Sheets

(58) Field of Classification Search

CPC B01D 46/10; A61L 9/037; B60Q 1/04; B60Q 1/26; F21L 19/00; F21S 8/04; F21S 8/026; F21V 7/00; F21V 7/22; F21V 21/02; F21V 21/04; F21V 29/004; F21V 29/83; F21V 29/2212; F21V 37/002; F21V 3/02; F21V 29/006; F21Y 2101/02; F23D 11/443; F21K 9/00; H01L 2224/48137

See application file for complete search history.

(56) References Cited

U.S. PATENT DOCUMENTS

D471,316 S * 3/2003 Budde D27/161
 7,125,145 B2 * 10/2006 Gardiner B25F 1/04
 362/119
 7,188,978 B2 * 3/2007 Sharrah F21S 9/02
 248/216.4
 D608,491 S * 1/2010 Zaderej D26/118
 D627,727 S * 11/2010 Alexander D13/134
 D628,156 S * 11/2010 Alexander D13/134
 D648,056 S * 11/2011 Muehlhaeusler D26/63
 D672,899 S * 12/2012 Van De Ven D26/74
 D676,597 S * 2/2013 Zhu D26/131
 8,371,729 B2 * 2/2013 Sharrah F21S 9/02
 362/439
 D690,450 S * 9/2013 Guercio D26/72
 8,567,046 B2 * 10/2013 Prabhakaran H01F 17/02
 156/185
 D695,950 S * 12/2013 Gordin D26/118
 8,617,013 B2 * 12/2013 Ferguson F16H 7/1218
 474/135
 8,617,016 B2 * 12/2013 Dutil F16H 55/36
 474/166
 D705,981 S * 5/2014 Cegnar D26/128
 D721,449 S * 1/2015 Chen D26/26
 8,931,458 B2 * 1/2015 Dyess F02M 19/081
 123/434
 D733,601 S * 7/2015 Solow D10/121
 9,212,792 B2 * 12/2015 Wronski F21V 29/004
 9,212,804 B2 * 12/2015 Zhang F21V 5/04
 9,213,133 B2 * 12/2015 Chen G02B 6/0075
 D747,031 S * 1/2016 Edwards D26/138
 D747,453 S * 1/2016 Stewart D23/370
 D747,516 S * 1/2016 Yang D26/28
 D747,537 S * 1/2016 Nordstrom D26/113
 D747,644 S * 1/2016 Snider D8/394
 9,241,401 B2 * 1/2016 Renn F21V 19/0055
 D754,388 S * 4/2016 Hsu D26/139

D756,012 S * 5/2016 Yu Shu D26/63
 D756,544 S * 5/2016 Xiao D26/2
 D757,992 S * 5/2016 Hsu D26/124
 9,341,323 B1 * 5/2016 Wang F21V 7/0008
 D758,642 S * 6/2016 Eguchi D26/113
 D759,271 S * 6/2016 Walker D26/26
 D759,293 S * 6/2016 Salomon D26/138
 D760,087 S * 6/2016 Dittmer D9/516
 D760,407 S * 6/2016 Yang D26/28
 D761,485 S * 7/2016 Gerardo D26/118
 9,380,918 B2 * 7/2016 Murphy A47K 13/24
 9,383,067 B2 * 7/2016 Kreuzbichler F21K 9/00
 9,383,146 B2 * 7/2016 Yang F28F 3/06
 9,388,948 B2 * 7/2016 Demuyneck F21K 9/175
 9,395,066 B2 * 7/2016 Nemeyer F21V 14/065
 9,395,069 B2 * 7/2016 Huang F21V 21/096
 2010/0266400 A1 * 10/2010 Avedon F04D 29/542
 415/209.3
 2014/0223750 A1 * 8/2014 Diefenderfer G01B 11/272
 33/286
 2014/0347848 A1 * 11/2014 Pisavadia F21K 9/30
 362/190
 2015/0354788 A1 * 12/2015 Huang F21V 21/096
 362/233
 2015/0369439 A1 * 12/2015 de Lamberterie ... F21S 48/1159
 362/514
 2015/0377455 A1 * 12/2015 Yang G02B 6/0075
 362/101
 2016/0002528 A1 * 1/2016 Tsumori C09K 11/616
 362/84
 2016/0097509 A1 * 4/2016 Honda H05B 33/00
 362/249.02
 2016/0153619 A1 * 6/2016 Frohnappel F21S 8/04
 362/231
 2016/0153629 A1 * 6/2016 Sulzbach F21S 8/026
 362/147
 2016/0161069 A1 * 6/2016 Lam F21L 4/027
 362/205
 2016/0161103 A1 * 6/2016 Ramaiah F21V 29/60
 362/249.02
 2016/0169484 A1 * 6/2016 Min F21K 9/175
 362/217.17
 2016/0178167 A1 * 6/2016 McGowan F21V 19/003
 362/382
 2016/0183353 A1 * 6/2016 Louh F21K 9/13
 315/291
 2016/0195245 A1 * 7/2016 Markey F21V 14/02
 362/147
 2016/0201884 A1 * 7/2016 Ramirez F21V 21/04
 362/147
 2016/0201892 A1 * 7/2016 Chen F21V 29/777
 362/249.02

OTHER PUBLICATIONS

Ring Thing, image post date Feb. 27, 2008, site visited Jul. 25, 2016, (online), <<https://www.tineye.com/search/b8f44bf8846150d1ae2af6f2d7dd83af3d189198/?pluginver=>>>.*

* cited by examiner

FIG. 1

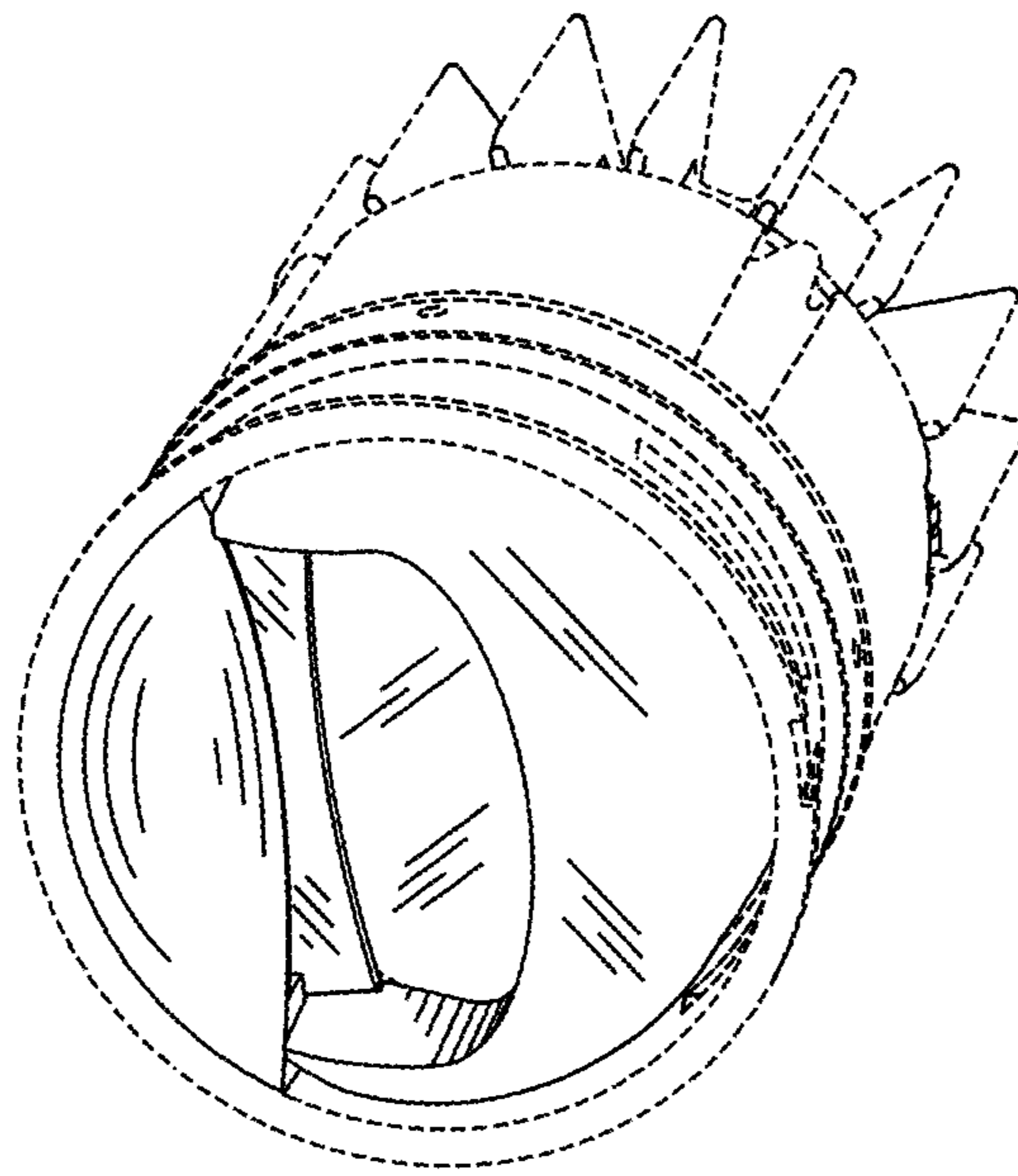


FIG. 2

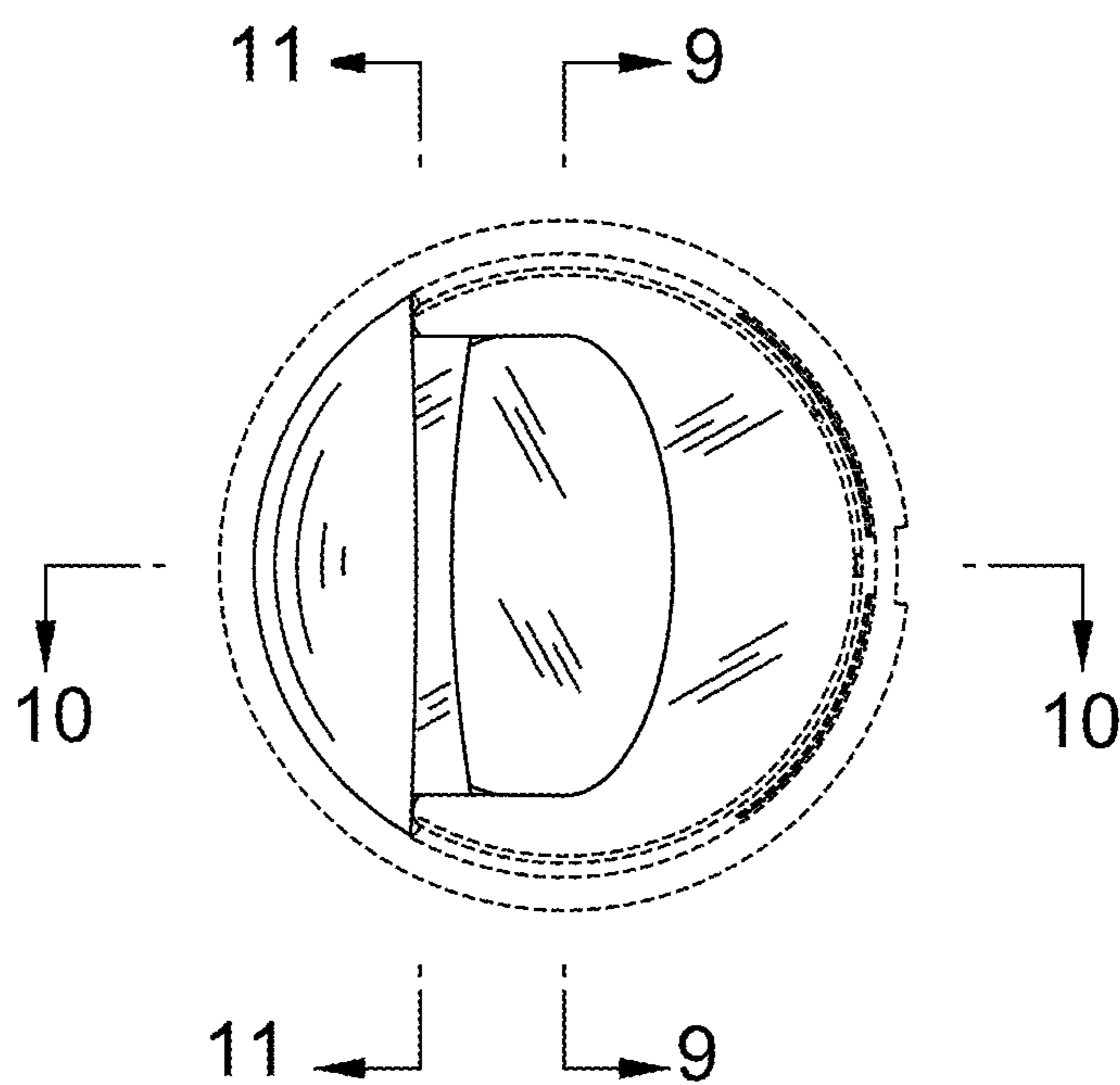


FIG. 3

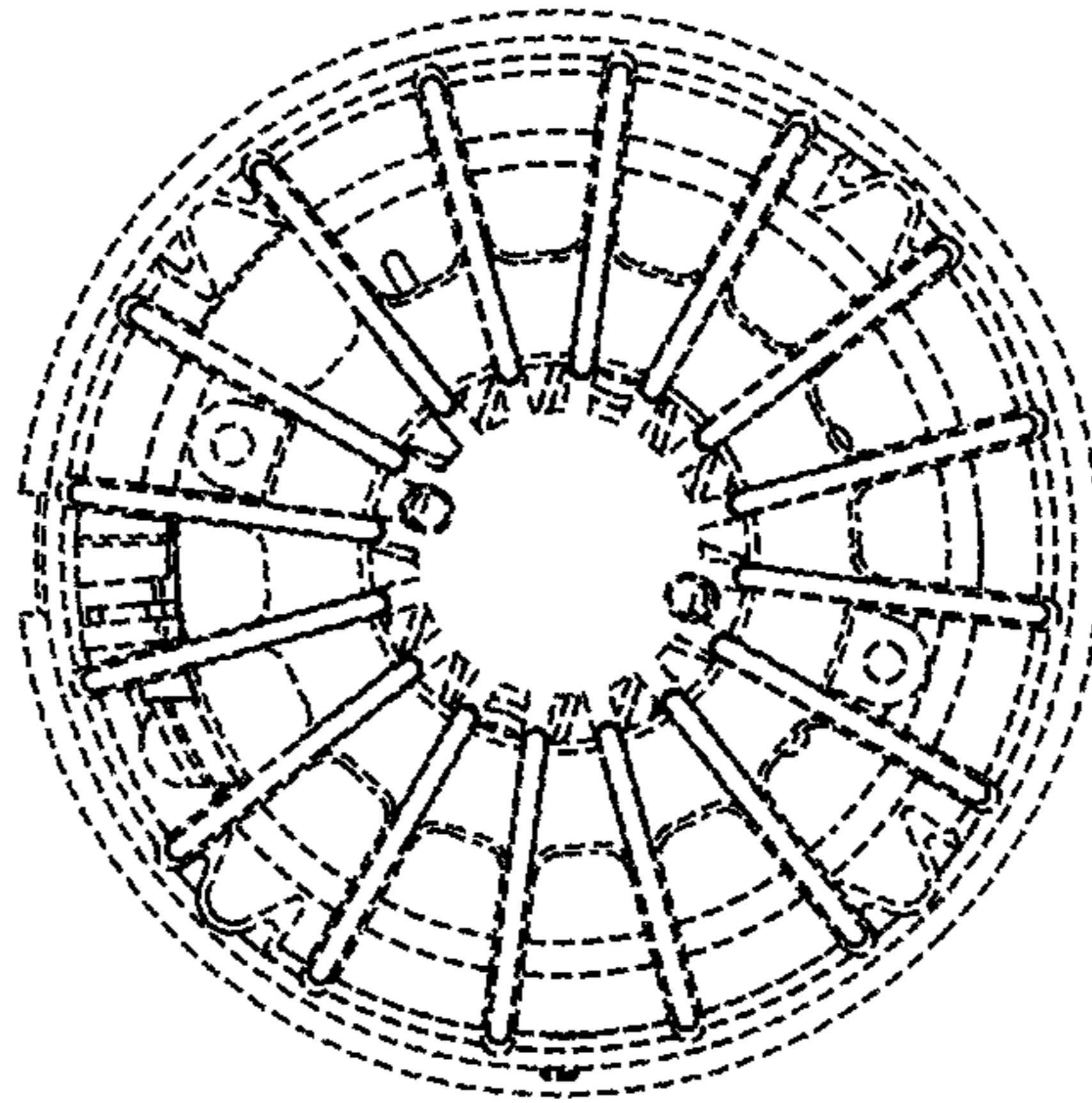


FIG. 4

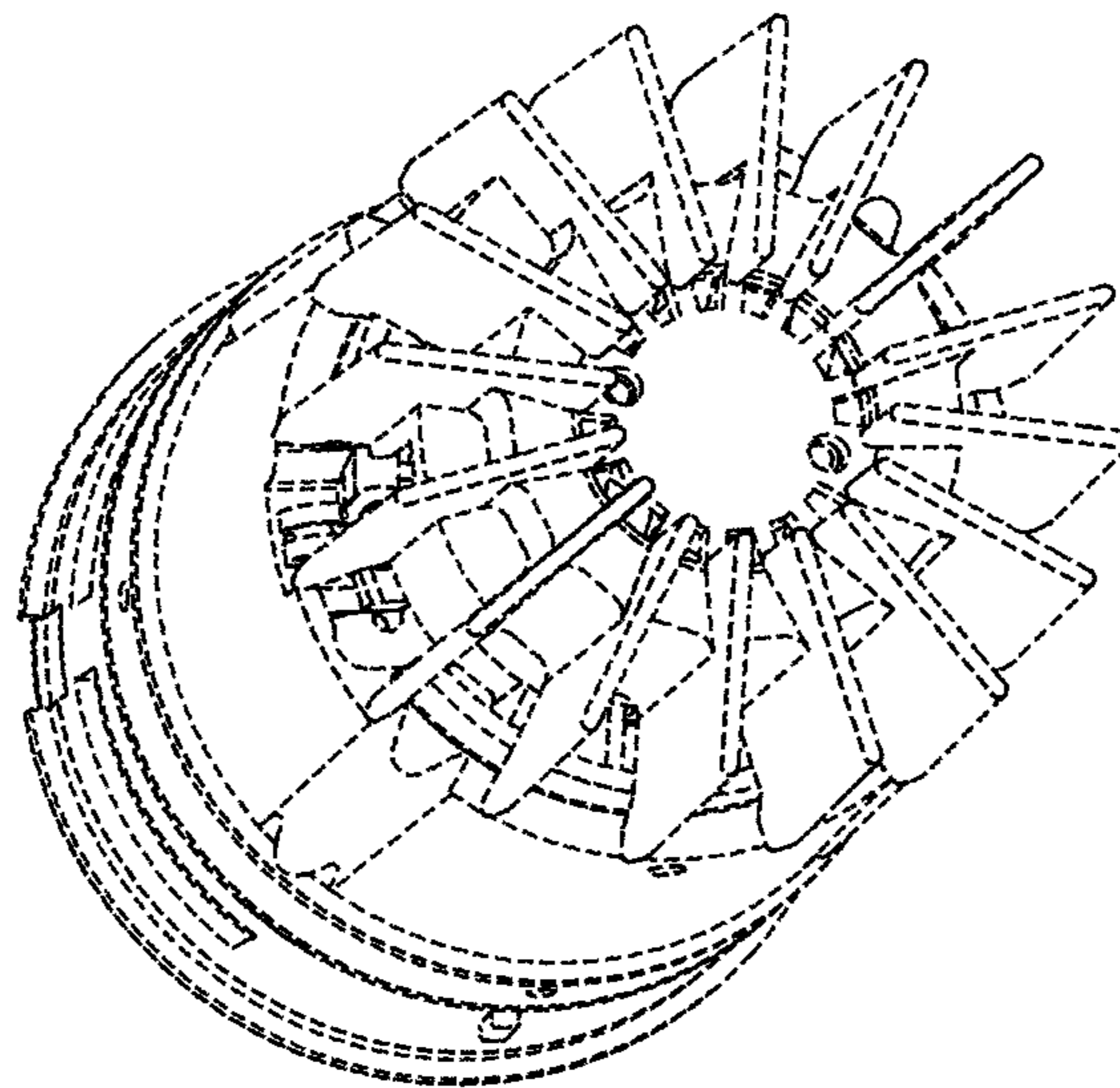


FIG. 5

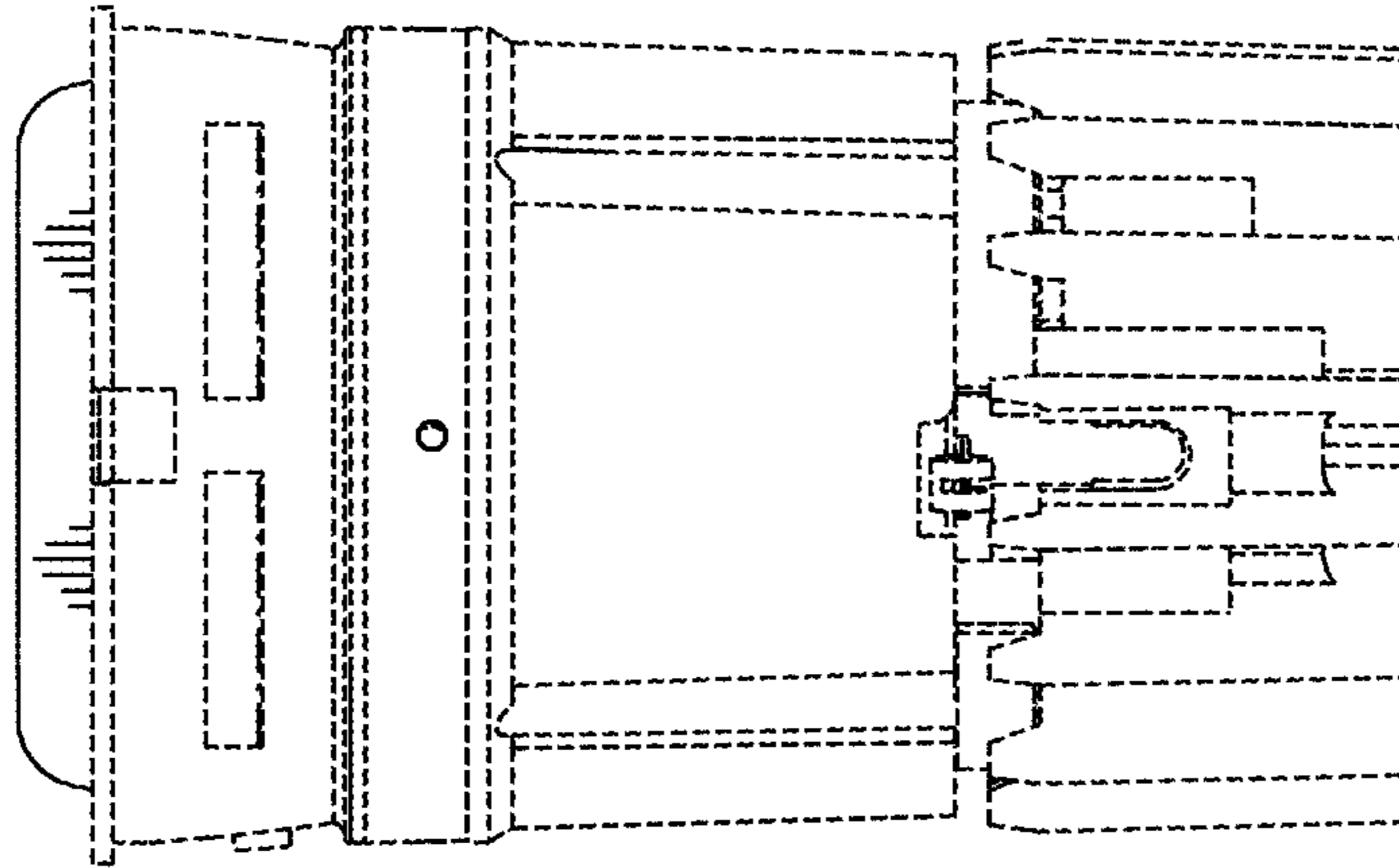


FIG. 6

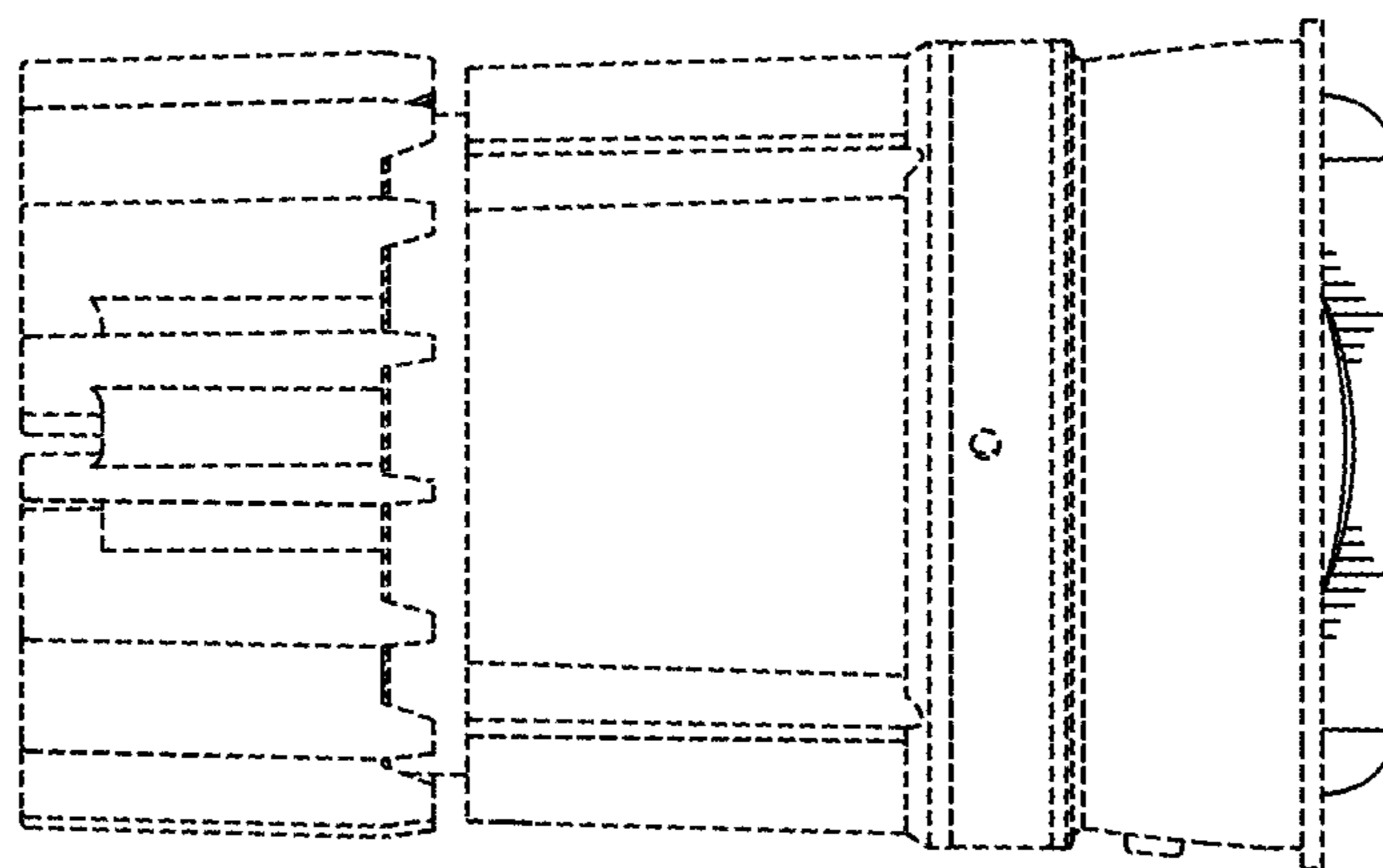


FIG. 7

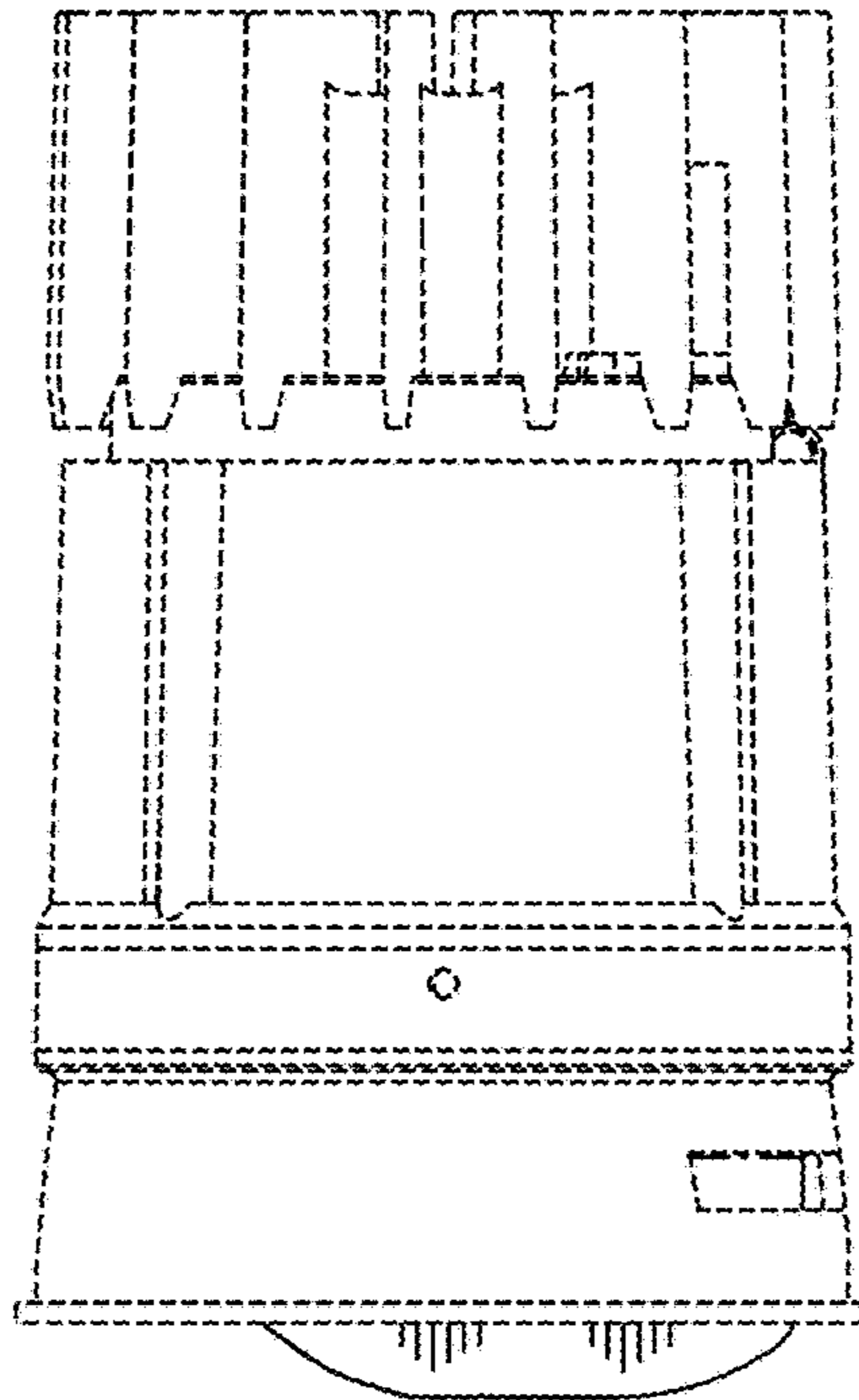


FIG. 8

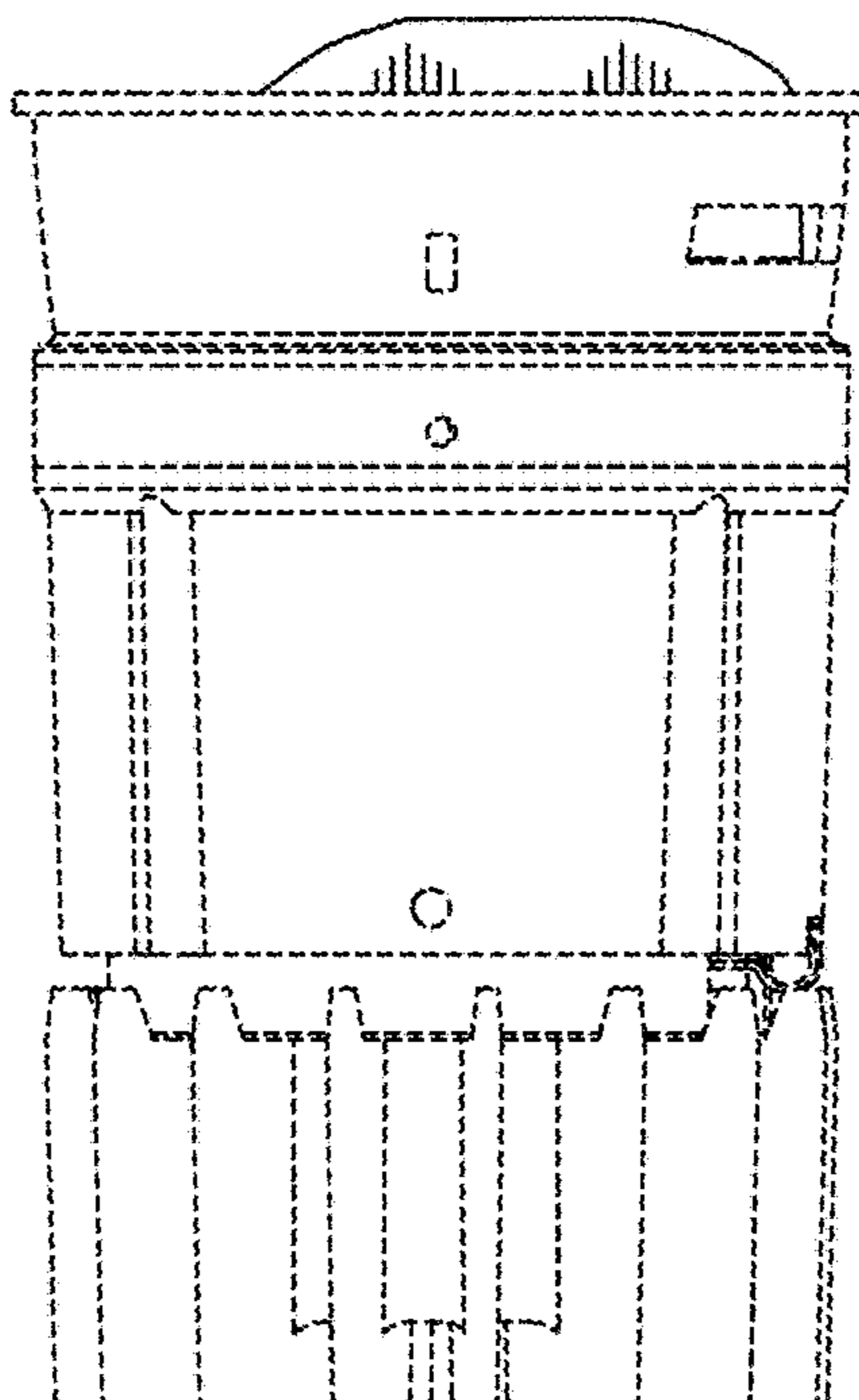


FIG. 9

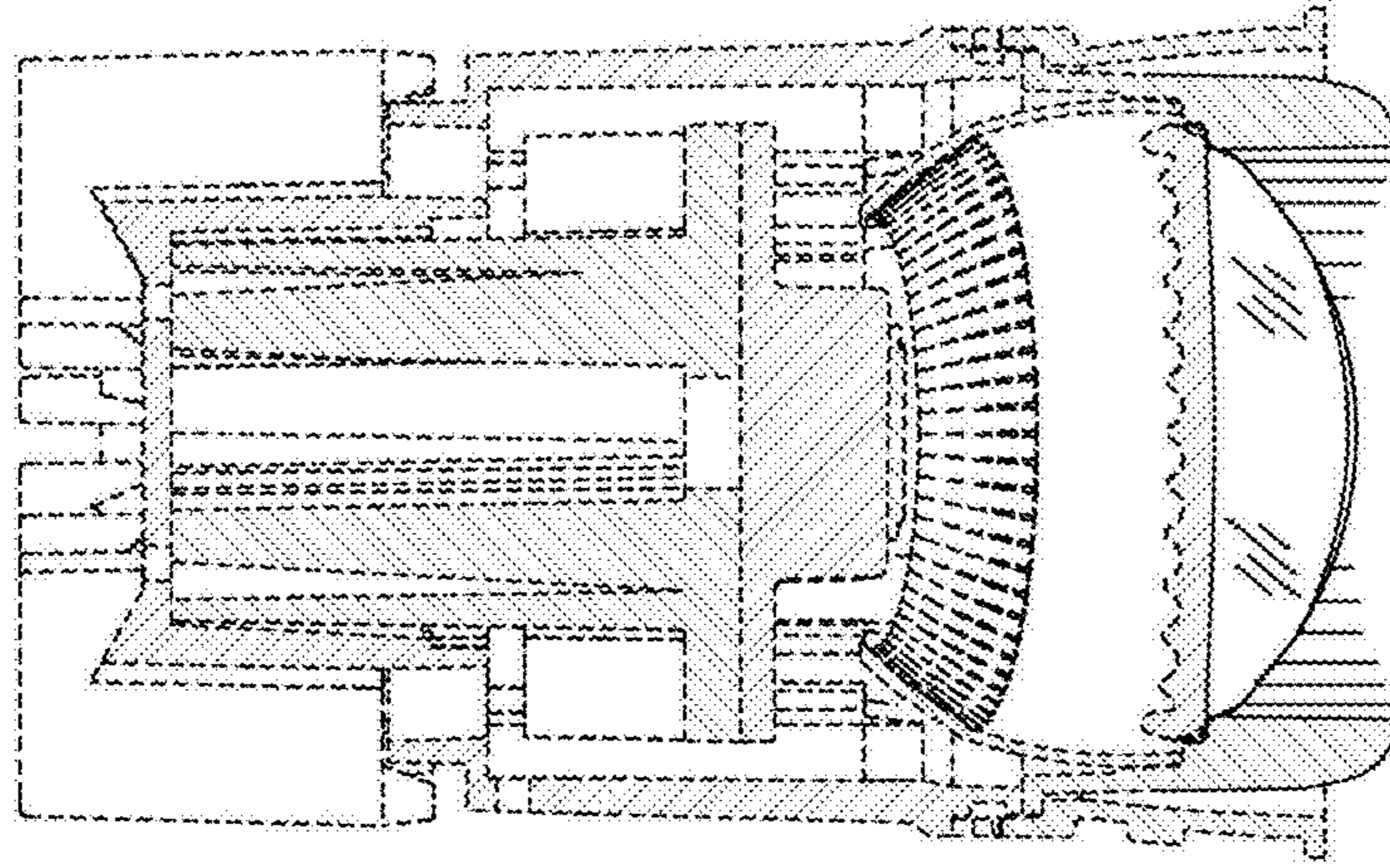


FIG. 10

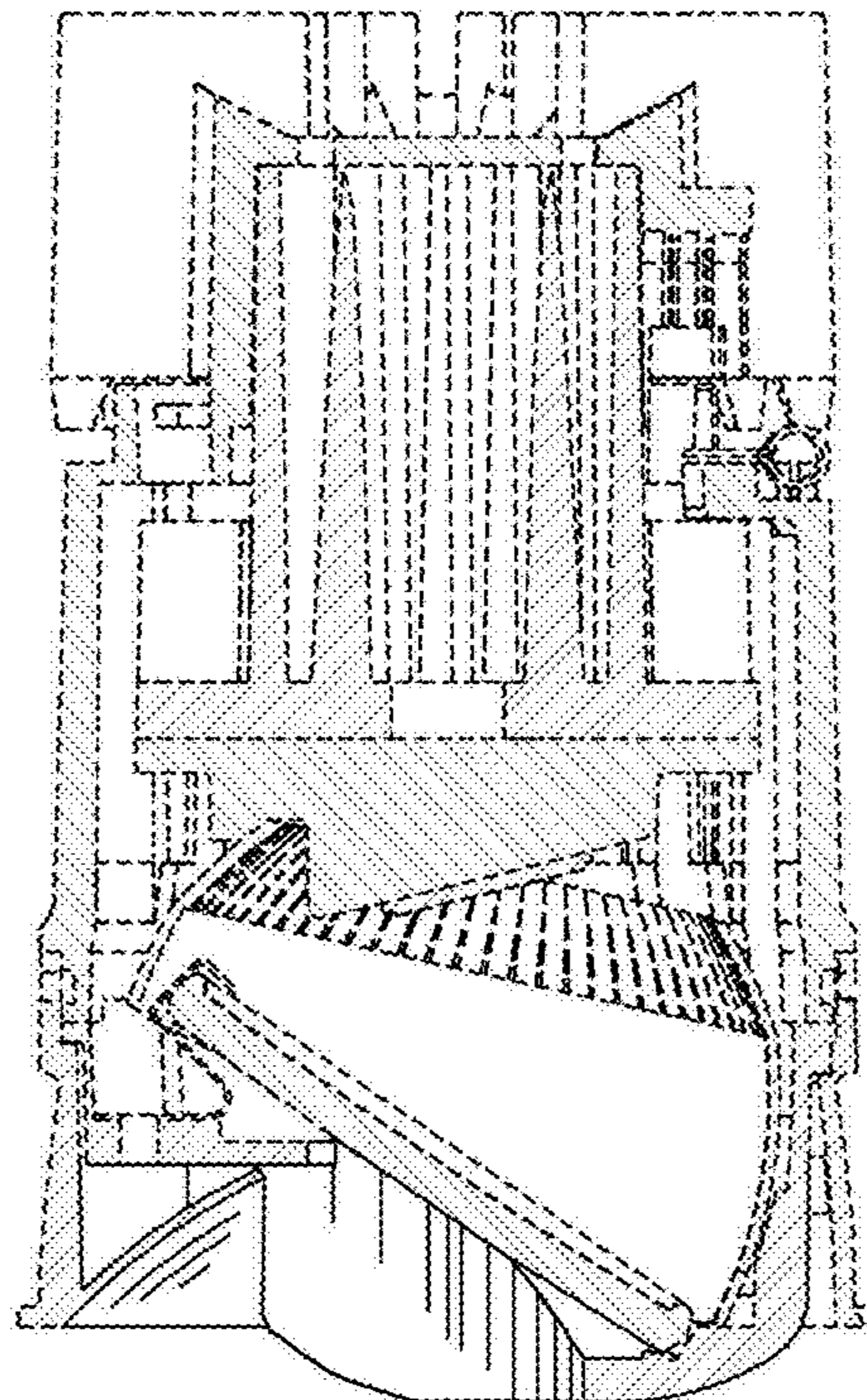


FIG. 11

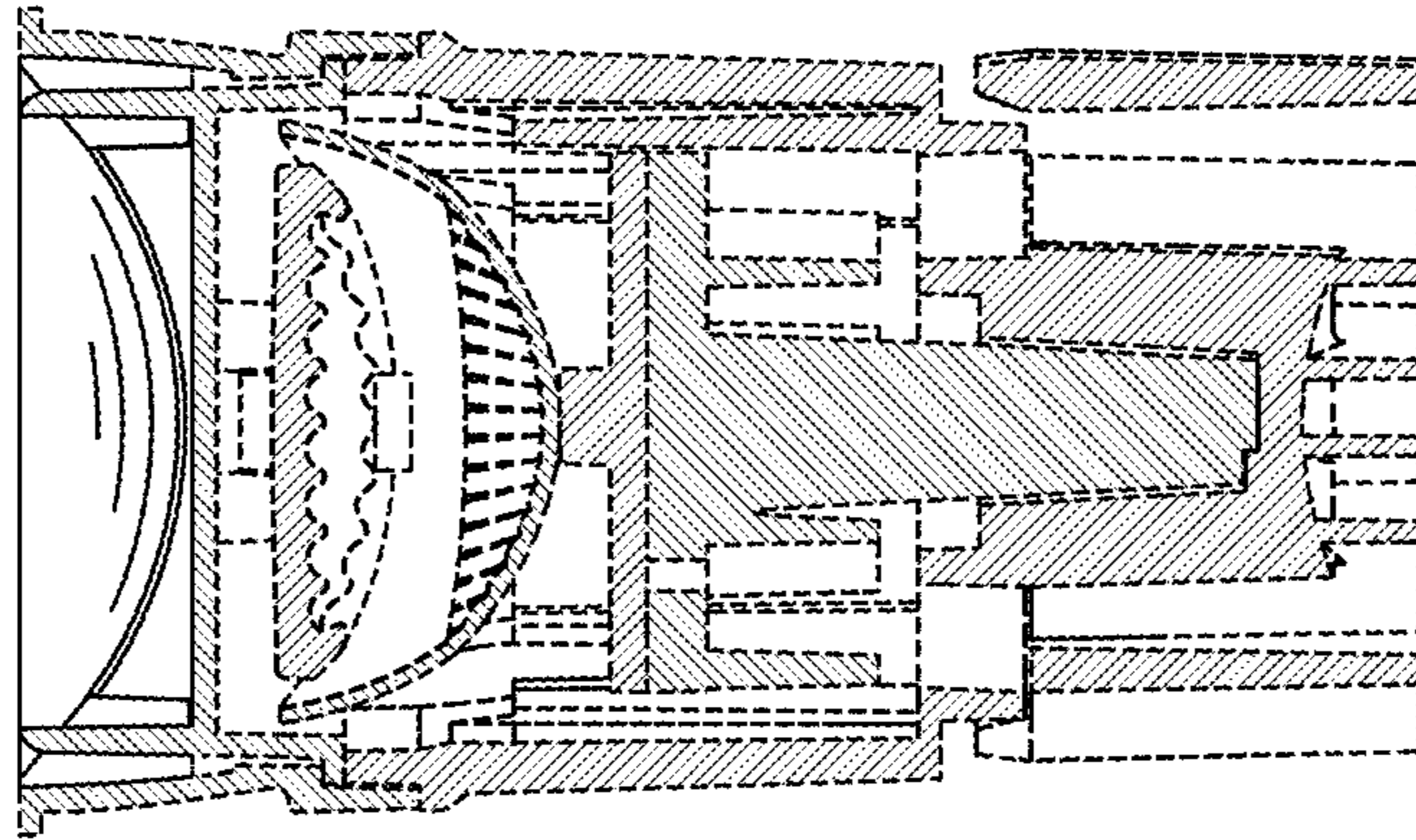


FIG. 12

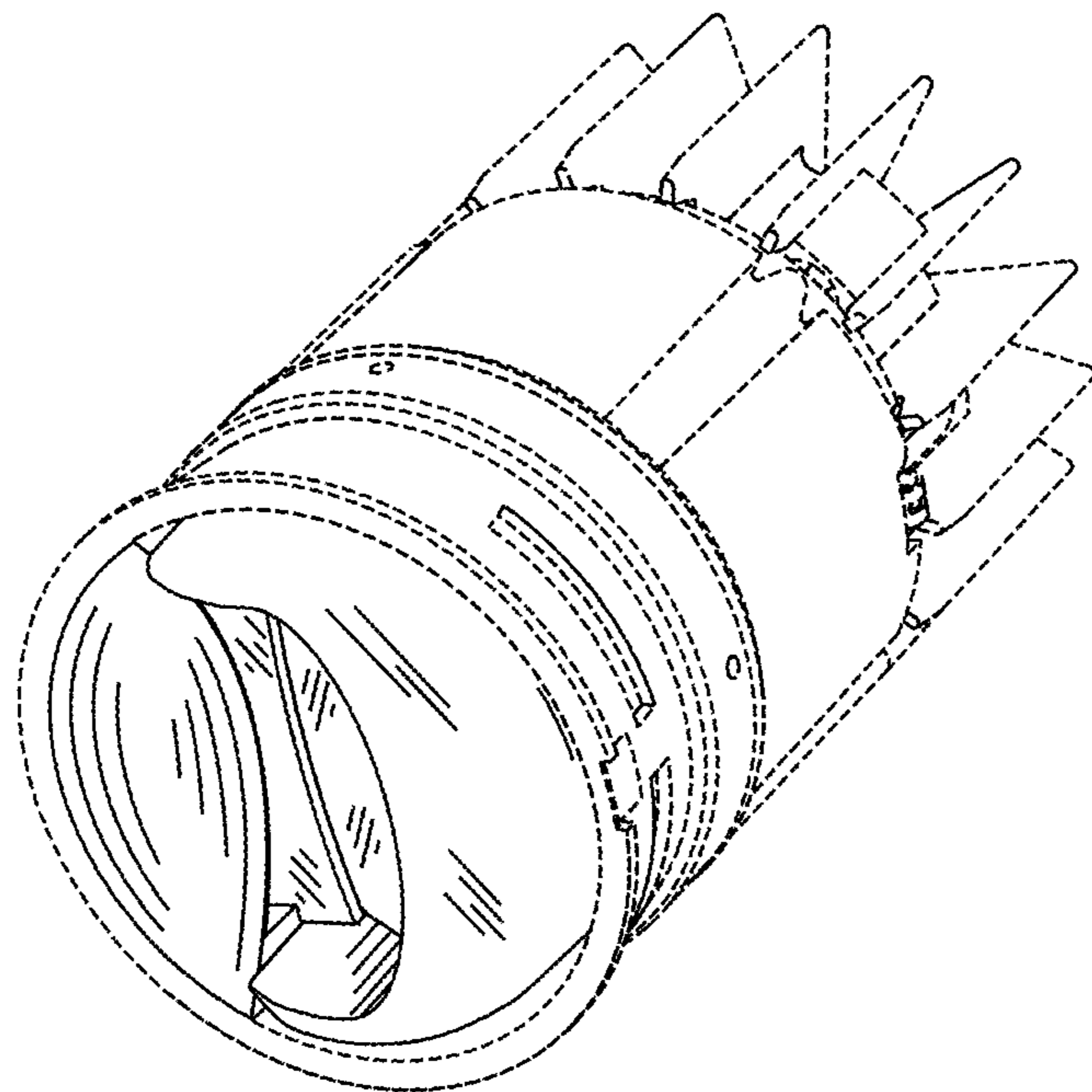


FIG. 13

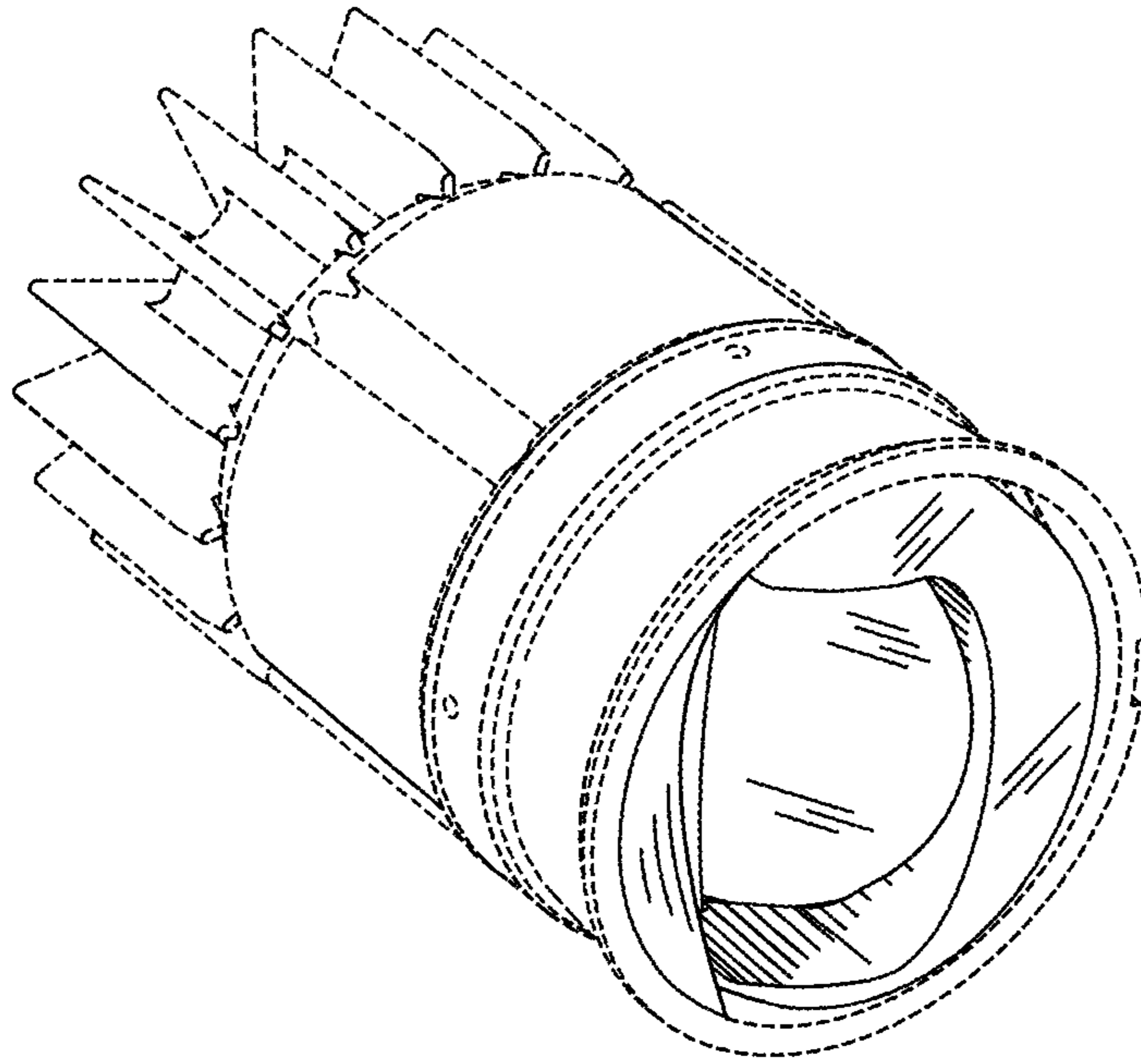


FIG. 14

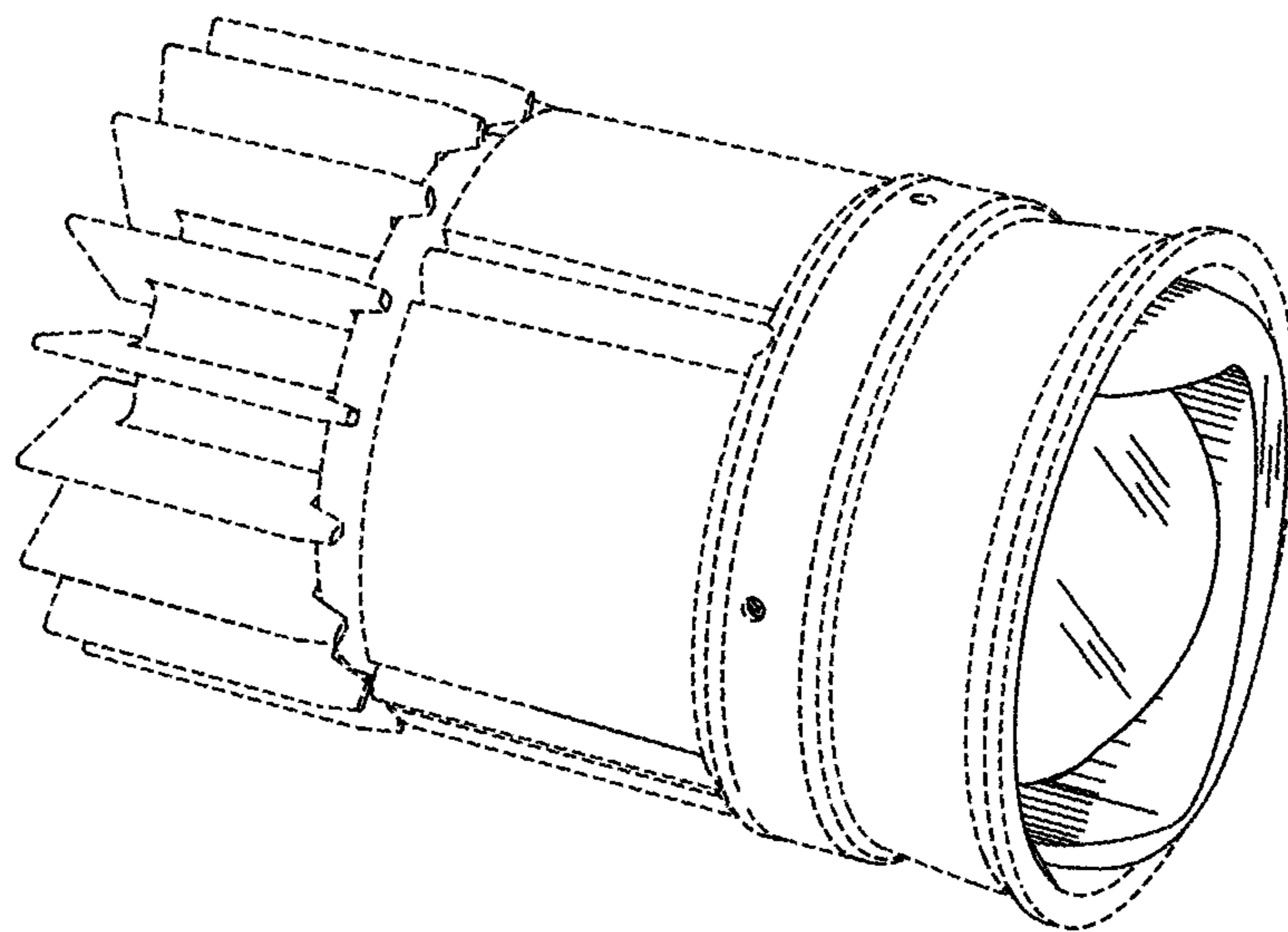


FIG. 15

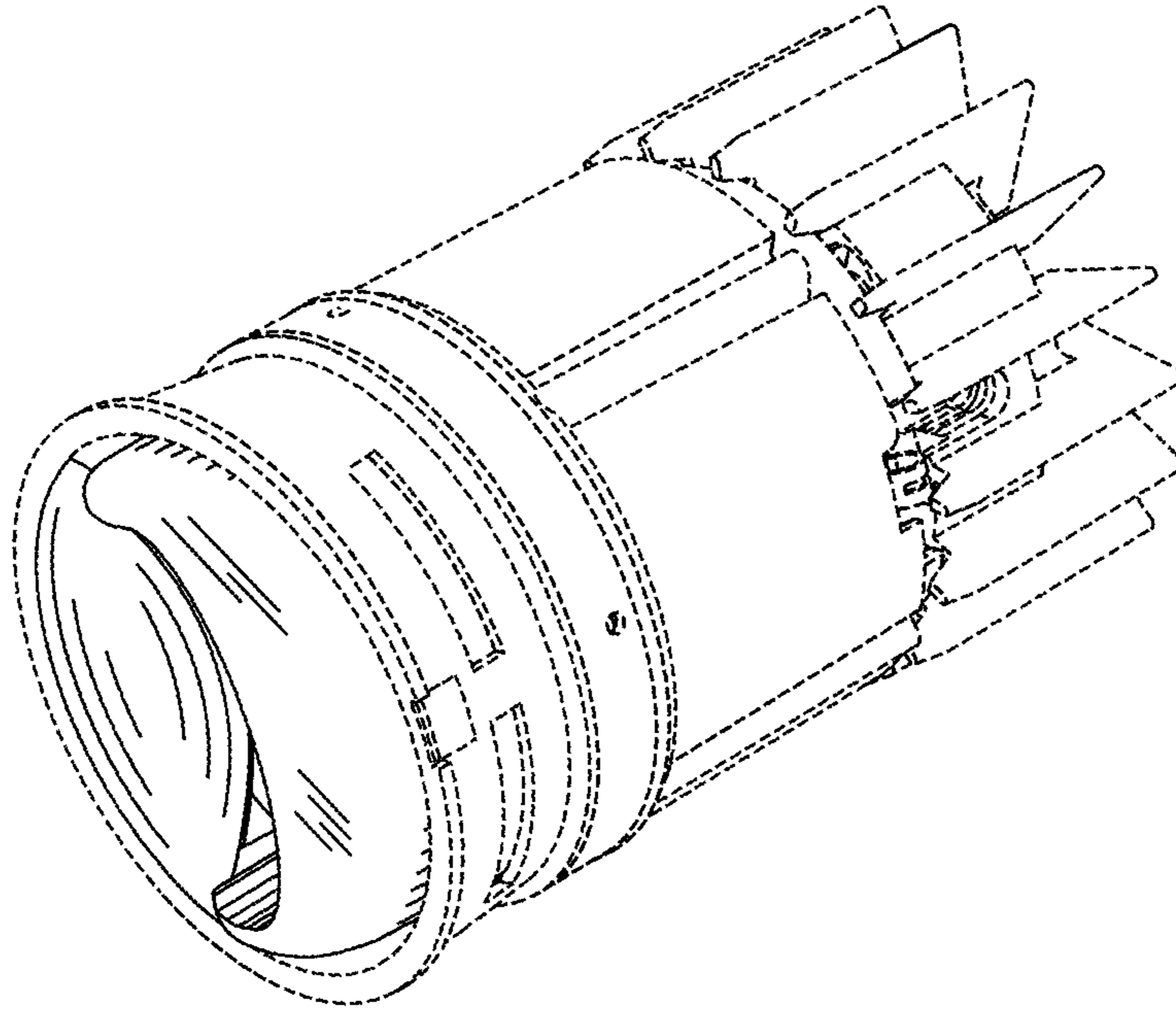


FIG. 16

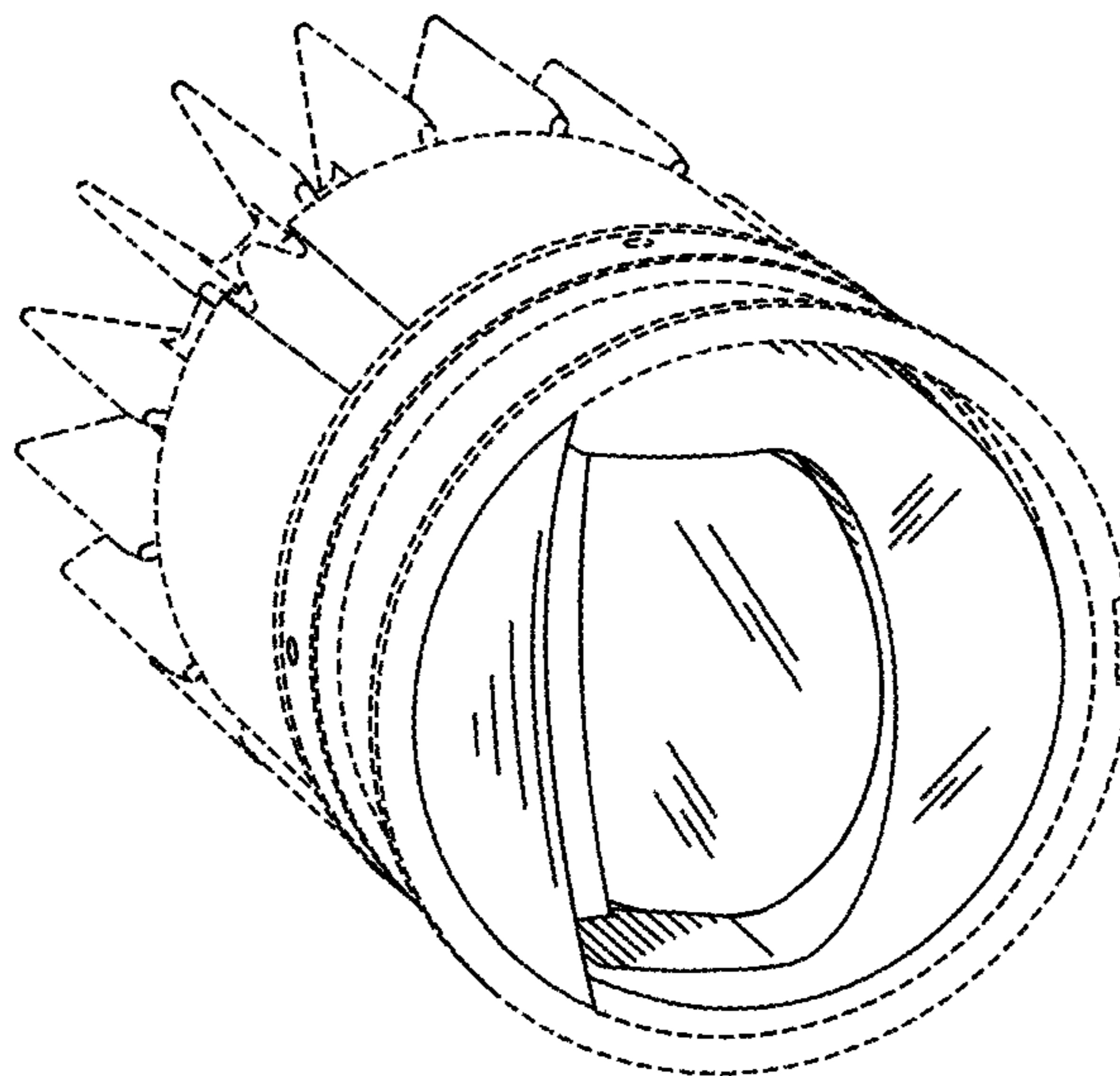


FIG. 17

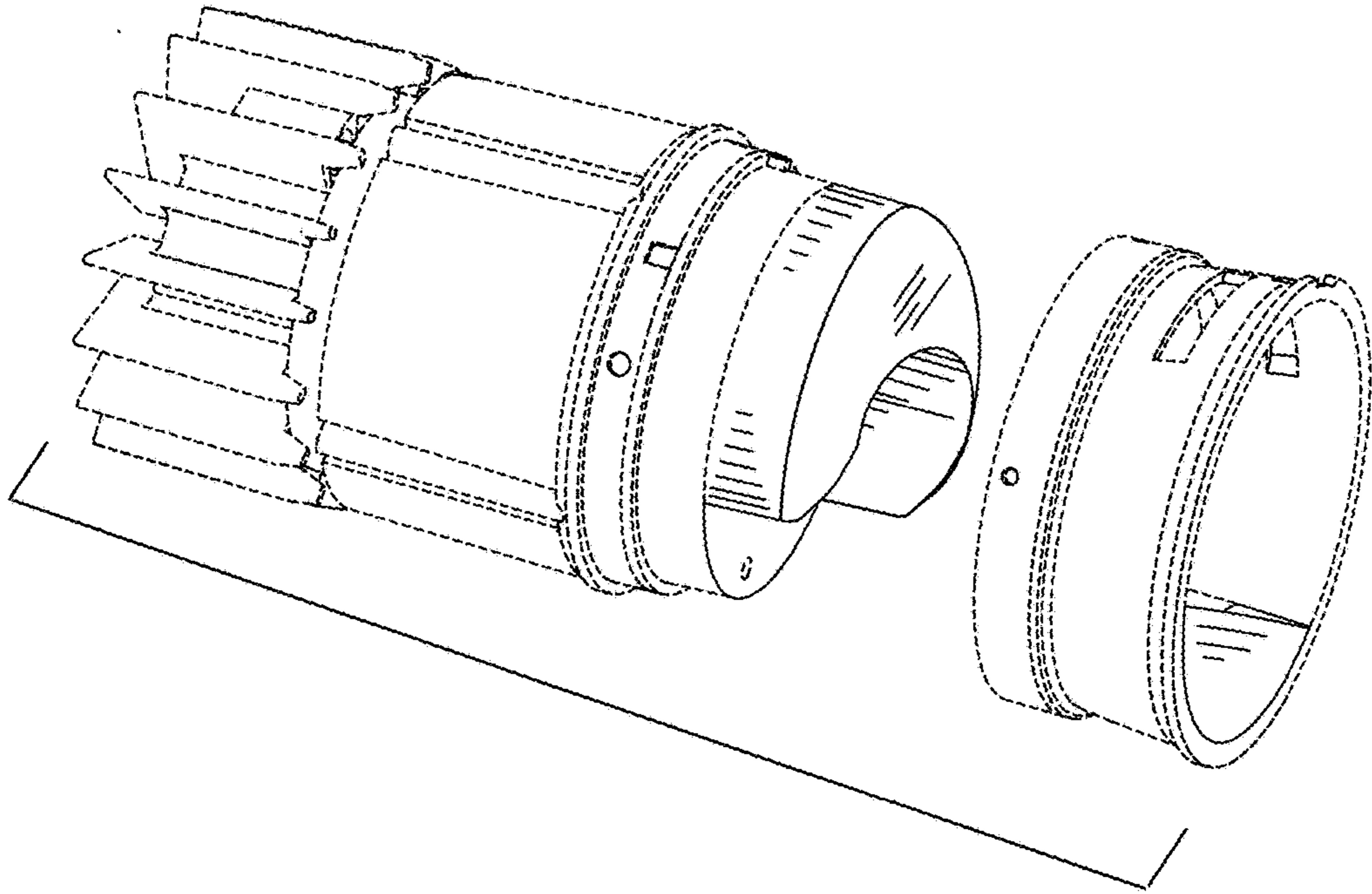


FIG. 18

