



US00D774686S

(12) **United States Design Patent** (10) **Patent No.:** **US D774,686 S**
Neufeglise et al. (45) **Date of Patent:** **** Dec. 20, 2016**

(54) **OPTICAL LENS FOR PROJECTING LIGHT FROM LED LIGHT EMITTERS**
(71) Applicant: **STAR HEADLIGHT & LANTERN CO., INC.**, Avon, NY (US)
(72) Inventors: **Steven W. Neufeglise**, Rochester, NY (US); **R. Michael Datz**, Greece, NY (US)
(73) Assignee: **STAR HEADLIGHT & LANTERN CO., INC.**, Avon, NY (US)
(**) Term: **14 Years**
(21) Appl. No.: **29/518,877**
(22) Filed: **Feb. 27, 2015**
(51) **LOC (10) Cl.** **29-99**
(52) **U.S. Cl.**
USPC **D26/122**
(58) **Field of Classification Search**
USPC D26/5, 6, 9, 10, 11, 12, 13, 15, 16, 24, D26/51, 61, 72, 76, 79, 80, 81, 85, 86, D26/88, 90, 113, 114, 116, 118, 119, 120, D26/121, 122, 127, 128, 129, 131, 135, D26/137, 138, 143, 144, 180, 2, 28, 60, D26/89, 104, 124, 142, 145, 102, 103, D26/107, 108, 179
CPC B01D 46/10; A61L 9/037; B60Q 1/04; B60Q 1/26; F21L 19/00; F21S 8/04; F21S 8/026; F21V 7/00; F21V 7/22; F21V 21/02; F21V 21/04; F21V 29/004; F21V 29/83; F21V 29/2212; F21V 37/002; F21V 3/02; F21V 29/006; F21Y 2101/02; F23D 11/443; H01L 2224/48137; F21K 9/00
See application file for complete search history.

(56) **References Cited**
U.S. PATENT DOCUMENTS
D110,972 S * 8/1938 Levy D26/123
2,675,466 A * 4/1954 Baker F21V 7/0016
362/308
3,019,334 A 1/1962 Lipscomb
(Continued)

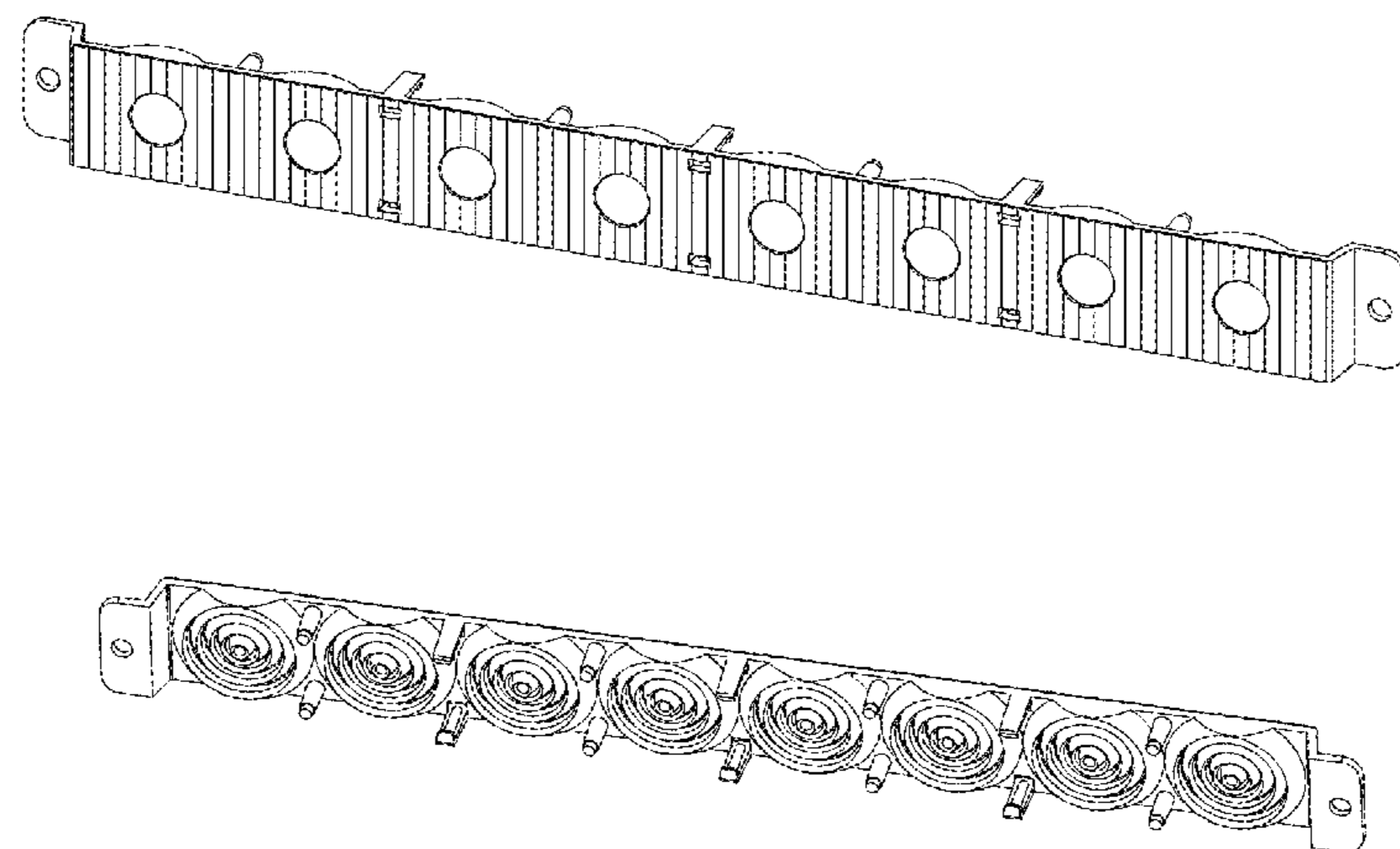
OTHER PUBLICATIONS
Catlin Truck Accessories, image post date Nov. 16, 2015, site visited Jul. 25, 2016, (online), <<http://web.archive.org/web/20151116125905/http://www.williamcatlin.com/product-manufacturer/star-warning-systems/>>.*
(Continued)

Primary Examiner — Kevin Rudzinski
Assistant Examiner — Sean D Lough
(74) *Attorney, Agent, or Firm* — Kenneth J. Lukacher Law Group

(57) **CLAIM**
The ornamental design for an optical lens for projecting light from LED light emitters, as shown and described.

DESCRIPTION
FIG. 1 is a perspective view looking downwardly from the right side of the front of an optical lens for projecting light from LED emitters which embodies our invention;
FIG. 2 is a perspective view looking upwardly from the left side of the front thereof;
FIG. 3 is a top elevational view thereof;
FIG. 4 is a bottom elevational view thereof;
FIG. 5 is a front plan view thereof;
FIG. 6 is a left end view thereof;
FIG. 7 is a right end view thereof;
FIG. 8 is a back plan view thereof;
FIG. 9 is a perspective view looking downwardly from the right side of the back thereof;
FIG. 10 is a longitudinal central sectional view thereof illustrating the internal shape of the lens structure thereof; and,
FIG. 11 is a lateral central sectional view thereof perpendicular to the view of FIG. 10 illustrating the internal shape of the lens structure thereof.

1 Claim, 5 Drawing Sheets



(56)

References Cited

U.S. PATENT DOCUMENTS

- 3,427,371 A * 2/1969 Skinner B29C 44/468
264/176.1
- 3,541,321 A 11/1970 Spiteri
- 3,668,381 A 6/1972 Schwartz et al.
- 4,240,062 A 12/1980 Gosswiller
- 4,569,002 A 2/1986 English et al.
- 4,742,432 A 5/1988 Thillays et al.
- 5,550,716 A 8/1996 Dassanayake et al.
- 5,654,551 A * 8/1997 Watt G01F 1/7042
250/356.1
- 6,067,012 A 5/2000 Harding
- D451,218 S 11/2001 Bernier
- D472,986 S 4/2003 Kim
- 6,568,826 B1 5/2003 Kotovsky
- 6,641,282 B2 11/2003 Perlo et al.
- D489,144 S 4/2004 Dalton, Jr.
- 6,793,368 B2 9/2004 Ladstatter
- D500,384 S 12/2004 Lyons et al.
- 6,851,835 B2 2/2005 Smith et al.
- 6,875,215 B2 * 4/2005 Taras A61B 17/1637
606/312
- D530,029 S 10/2006 Neufeglise et al.
- D530,437 S 10/2006 Neufeglise et al.
- D531,332 S 10/2006 Duvall et al.
- 7,131,758 B2 11/2006 Ishida
- 7,258,466 B2 8/2007 Watanabe et al.
- D563,012 S * 2/2008 Citterio D26/63
- D564,685 S * 3/2008 Schnell D26/39
- D565,515 S * 4/2008 Chen D13/180
- 7,360,923 B2 * 4/2008 Weber-Rabsilber G09F 9/33
362/240
- D578,237 S * 10/2008 Engel D26/63
- D578,492 S * 10/2008 Xu D13/180
- 7,434,959 B1 10/2008 Wang
- D580,087 S * 11/2008 Couture D26/76
- D581,074 S 11/2008 Starr
- D581,092 S 11/2008 Demarest et al.
- 7,465,070 B2 12/2008 Engel
- 7,470,055 B2 * 12/2008 Hacker F21S 2/005
362/225
- D595,887 S * 7/2009 Blom D26/51
- D601,280 S * 9/2009 Hsu D26/3
- D615,223 S 5/2010 Huang
- D615,236 S * 5/2010 Beghelli D26/74
- D621,968 S * 8/2010 Schultz D26/1
- D627,915 S * 11/2010 Pei D26/76
- D632,421 S 2/2011 Vukosic et al.
- D633,648 S 3/2011 Datz
- 7,976,188 B2 * 7/2011 Peng F21S 8/04
362/221
- D647,662 S * 10/2011 Verelst D26/85
- 8,042,970 B2 * 10/2011 Wang F21K 9/00
362/249.02
- 8,079,731 B2 * 12/2011 Lynch F21V 29/74
257/99
- D652,335 S 1/2012 Deyaf
- 8,101,434 B2 * 1/2012 Guillien F21V 5/04
257/E21.499
- D654,211 S * 2/2012 Melzner D26/118
- D654,607 S * 2/2012 Kim D26/63
- 8,192,063 B2 6/2012 Neufeglise
- 8,197,103 B2 * 6/2012 Chang G02B 5/0215
362/244
- D672,081 S * 12/2012 Sprengers D26/85
- 8,348,481 B2 * 1/2013 Chang F21S 8/04
362/147
- D680,894 S 4/2013 Yu
- D683,252 S * 5/2013 Andrew D10/114.4
- 8,541,724 B2 * 9/2013 Roemerman F42B 10/64
244/3.16
- D693,035 S 11/2013 Datz et al.
- D710,726 S * 8/2014 Neufeglise D10/114.4
- D711,564 S * 8/2014 Chou D26/28
- D712,086 S 8/2014 Barbato et al.
- D722,717 S * 2/2015 Wang D26/51
- D740,471 S * 10/2015 Yu D26/28
- D745,713 S * 12/2015 Hansen D26/28
- D745,989 S * 12/2015 Katz D26/60
- D746,494 S * 12/2015 Davidson D26/28
- D746,509 S * 12/2015 Yu D26/120
- 9,200,785 B2 * 12/2015 Yang F21V 19/0025
- 9,203,009 B2 * 12/2015 Choi H01L 33/387
- 9,206,974 B2 * 12/2015 Isaacson H01L 23/373
- 9,224,677 B1 * 12/2015 Liou H01L 23/3107
- D747,018 S * 1/2016 Hansen D26/28
- 9,239,162 B2 * 1/2016 Sawarynski, Jr. F21V 31/005
- D748,831 S * 2/2016 Fan D26/28
- 9,252,336 B2 * 2/2016 Shi H01L 33/486
- 9,267,673 B2 * 2/2016 Park F21V 5/004
- D751,442 S * 3/2016 Lv D10/114.4
- 9,277,607 B2 * 3/2016 Ramer F21K 9/135
- D753,334 S * 4/2016 Wei D26/120
- D756,962 S * 5/2016 White D14/214
- D756,964 S * 5/2016 White D14/214
- D757,686 S * 5/2016 White D14/214
- D757,687 S * 5/2016 White D14/214
- D759,272 S * 6/2016 Fan D26/28
- D759,876 S * 6/2016 Blum D26/88
- D760,118 S * 6/2016 Lepp D11/142
- 9,360,169 B2 * 6/2016 Zhang G02B 19/0028
- 9,371,976 B2 * 6/2016 Kang F21V 7/048
- 9,377,175 B2 * 6/2016 Kuo F21K 9/50
- 9,383,070 B2 * 7/2016 Khrushchev F21K 9/56
- 2002/0172046 A1 11/2002 Perlo et al.
- 2004/0008516 A1 1/2004 Amano
- 2008/0002413 A1 1/2008 Wang et al.
- 2008/0080203 A1 * 4/2008 Neufeglise B60Q 1/52
362/540
- 2008/0144322 A1 6/2008 Norfidathul et al.
- 2009/0310356 A1 * 12/2009 Laporte F21V 5/007
362/239
- 2013/0068233 A1 * 3/2013 De Lulio A61M 16/0497
128/207.17
- 2013/0155670 A1 * 6/2013 Handsaker F21V 13/02
362/223
- 2014/0036533 A1 * 2/2014 Smith-Gillespie G02F 1/133615
362/609
- 2015/0130398 A1 * 5/2015 Sanese H02J 7/35
320/101
- 2015/0224923 A1 * 8/2015 Neufeglise B60Q 1/268
362/546
- 2016/0025279 A1 * 1/2016 Burmeister F21V 7/0008
362/231
- 2016/0076729 A1 * 3/2016 Jin B60Q 1/0041
362/509
- 2016/0100529 A1 * 4/2016 Grajcar A01G 7/045
47/17
- 2016/0131310 A1 * 5/2016 Lu F21K 9/1355
362/362
- 2016/0131330 A1 * 5/2016 Jiang G02B 17/006
362/235
- 2016/0131339 A1 * 5/2016 Chang F21V 9/16
362/84
- 2016/0136312 A1 * 5/2016 Park F21V 23/003
362/231
- 2016/0152175 A1 * 6/2016 Hwang B60Q 1/387
362/514
- 2016/0153705 A1 * 6/2016 Dubuc F21V 5/046
312/405.1
- 2016/0186977 A1 * 6/2016 Dahlen F21V 29/503
362/373
- 2016/0195189 A1 * 7/2016 Fletcher F16K 15/00
137/528
- 2016/0195239 A1 * 7/2016 Jha B64D 47/04
362/470

OTHER PUBLICATIONS

Spot Optic, image post date Oct. 12, 2015, site visited Jul. 25, 2016, (online), <http://www.google.com/url?sa=i&rct=j&q=&esrc=s&source=images&cd=&ved=0ahUKEwiWII2z14_OAhVV_

(56)

References Cited

OTHER PUBLICATIONS

mMKHV1yDv8QjRwIBQ&url=http%3A%2F%2Fwww.star1889.com%2F_literature_131504%2F1000_Star_Phazer_Lightbar_-_Product_Flyer&bvm=bv.127984354,d.cGc&psig=AFQjCNFjmCpzH2Nr4PyYglbC9smEpSLs.*
Vehicle and Emergency lights, image post date Nov. 21, 2014, site visited Jul. 25, 2014, (online), <<https://www.tineye.com/search/03f54e6a8b8d21df3f69f33b06e86935eae6397/>>.*
Star Warning Systems, ULB9 Star Mini-Phantom, Star Headlight & Lantern Co., Inc., Sep. 18, 2013.
Star Warning Systems, ULB9S Starburst, Star Headlight & Lantern Co., Inc. Sep. 18, 2013.
Star Warning Systems, Starburst, DL15 Series, Star Headlight & Lantern Co., Inc., Jan. 18, 2007.
Star Warning Systems, Product Sheet for Deckstar, DL25-HLSW, Dual Row LED Light, Dec. 2001.
Wingman, Code 3 Catalog, p. 18-19, download from www.code3pse.com on Jan. 31, 2008.
XF2300, Code 3 Catalog, p. 4-5, download from www.code3pse.com on Jan. 31, 2008.
LED X Exterior, LC-LED, Code 3 Catalog, p. 25, download from www.code3pse.com on Jan. 31, 2008.
Prizm LED Reflector, Code3 Catalog, p. 24, download from www.code3pse.com on Jan. 31, 2008.

* cited by examiner

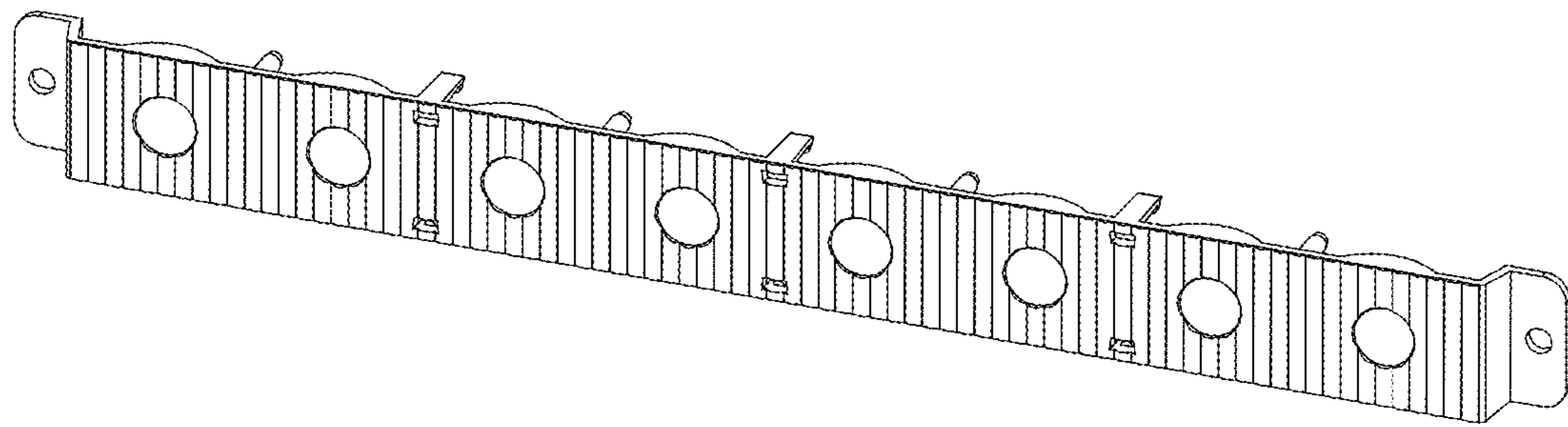


FIG. 1

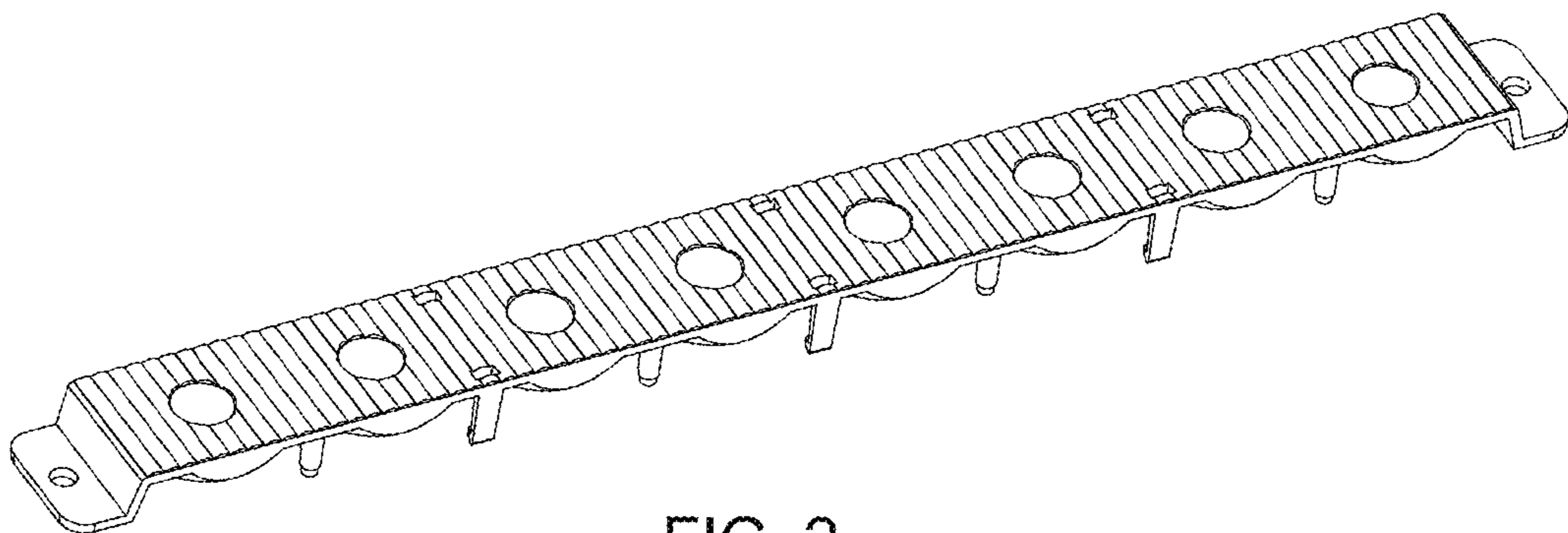


FIG. 2



FIG. 3

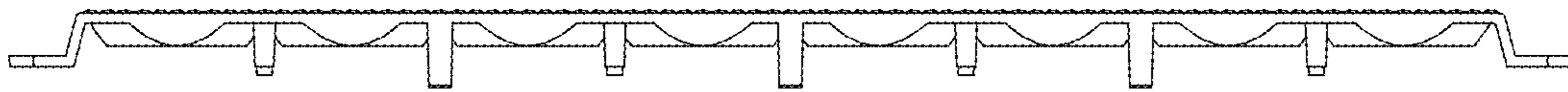


FIG. 4

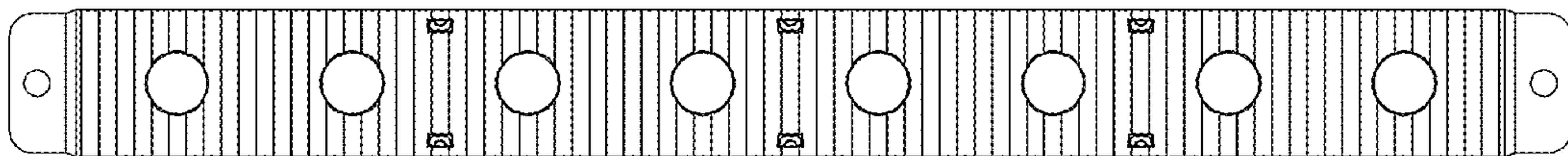


FIG. 5

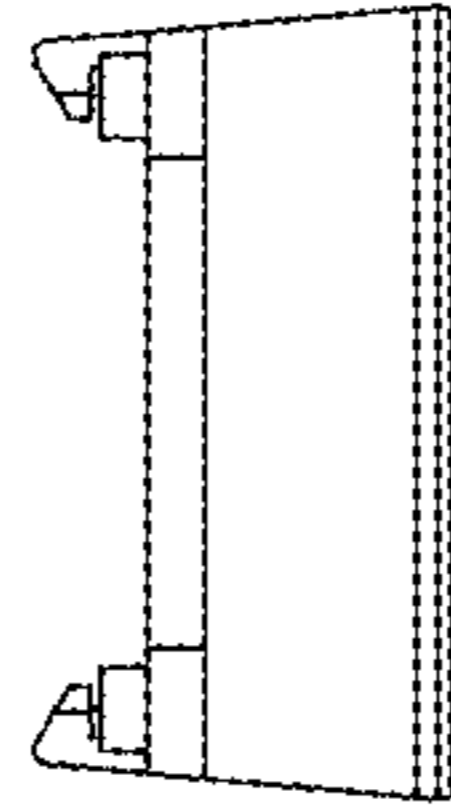


FIG. 6

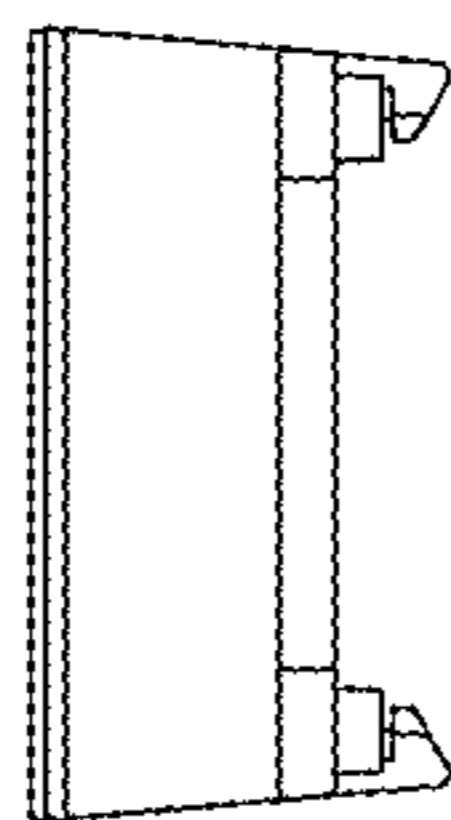


FIG. 7

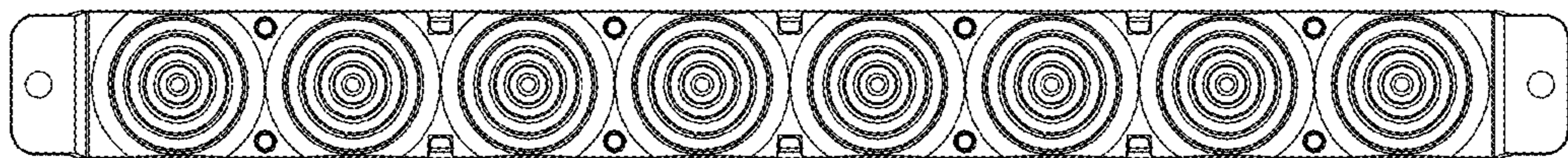


FIG. 8

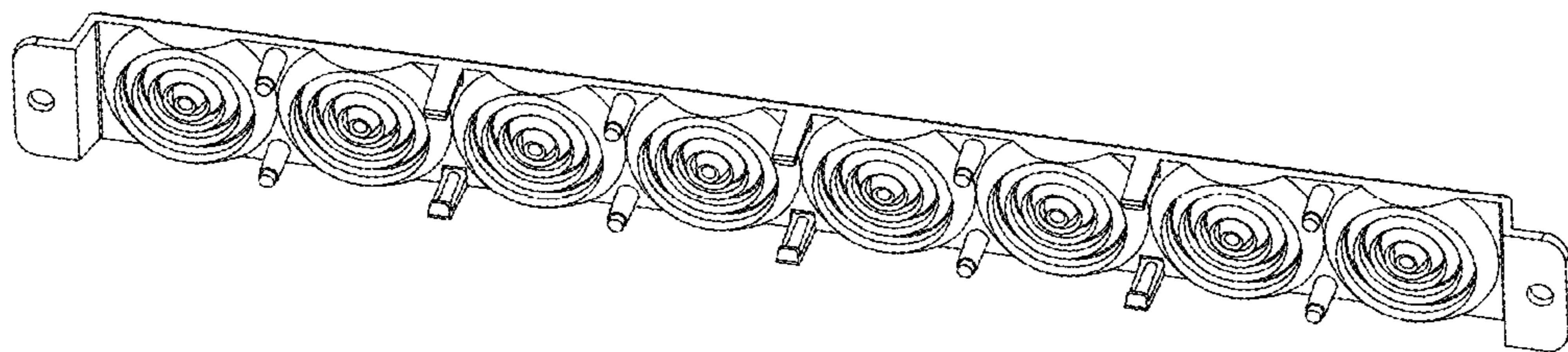


FIG. 9



FIG. 10

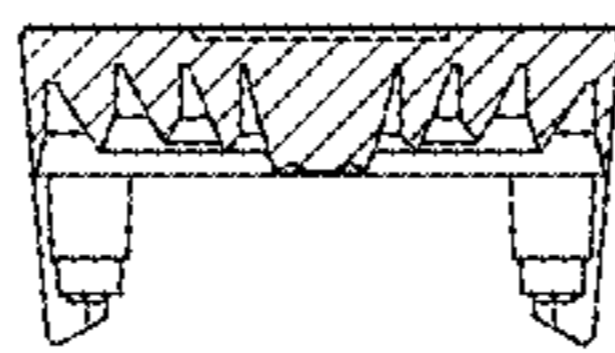


FIG. 11