



US00D774685S

(12) **United States Design Patent**
Topp

(10) **Patent No.:** **US D774,685 S**

(45) **Date of Patent:** **** Dec. 20, 2016**

(54) **COVER FOR A LIGHT EMITTING DIODE STRIP**

(71) Applicant: **Ira Topp**, Oklahoma City, OK (US)

(72) Inventor: **Ira Topp**, Oklahoma City, OK (US)

(**) Term: **15 Years**

(21) Appl. No.: **29/531,939**

(22) Filed: **Jun. 30, 2015**

(51) **LOC (10) Cl.** **26-05**

(52) **U.S. Cl.**
USPC **D26/121**

(58) **Field of Classification Search**
USPC D26/1, 24, 118, 119, 120, 121, 122;
D13/179, 180, 102, 103, 107, 108;
D25/58, D25/155
CPC F41C 27/00; F41C 33/0254; G02B 5/045;
G02B 5/189; F21S 8/00; F21S 8/03; F21S
8/026; F21S 8/02; F21S 8/003; F21S
8/043; F21S 8/06; F21S 8/04; F21V
7/005; F21V 15/01; F21V 15/04; F21V
21/04; F21V 1/00; F21Y 2103/00; F21Y
2101/02; F21K 9/00
See application file for complete search history.

(56) **References Cited**

U.S. PATENT DOCUMENTS

2,793,403	A	*	5/1957	Livingston	E04F 13/04
						D25/58
D258,465	S	*	3/1981	Studinski	D25/142
D374,737	S	*	10/1996	Can	D26/80
D397,818	S	*	9/1998	Herst	D26/119
D418,626	S	*	1/2000	Herst	D26/118
D481,824	S	*	11/2003	Watt	D26/118
D565,750	S	*	4/2008	Egawa	D26/1

D654,211	S	*	2/2012	Melzner	D26/118
D661,833	S	*	6/2012	Imajo	D26/118
D671,674	S	*	11/2012	Cho	D26/118
D732,729	S	*	6/2015	McKechnie	D26/118
D745,989	S	*	12/2015	Katz	D26/60
D757,991	S	*	5/2016	Intelisano	D26/118

* cited by examiner

Primary Examiner — Brian N Vinson

(74) *Attorney, Agent, or Firm* — Dunlap Coddling, P.C.

(57) **CLAIM**

The ornamental design for a cover for a light emitting diode strip, as shown and described.

DESCRIPTION

FIG. 1 is a perspective view of a cover for a light emitting diode strip showing my new design.

FIG. 2 is a top plan view thereof.

FIG. 3 is a perspective view of another embodiment of a cover for a light emitting diode strip showing my new design.

FIG. 4 is a top plan view thereof.

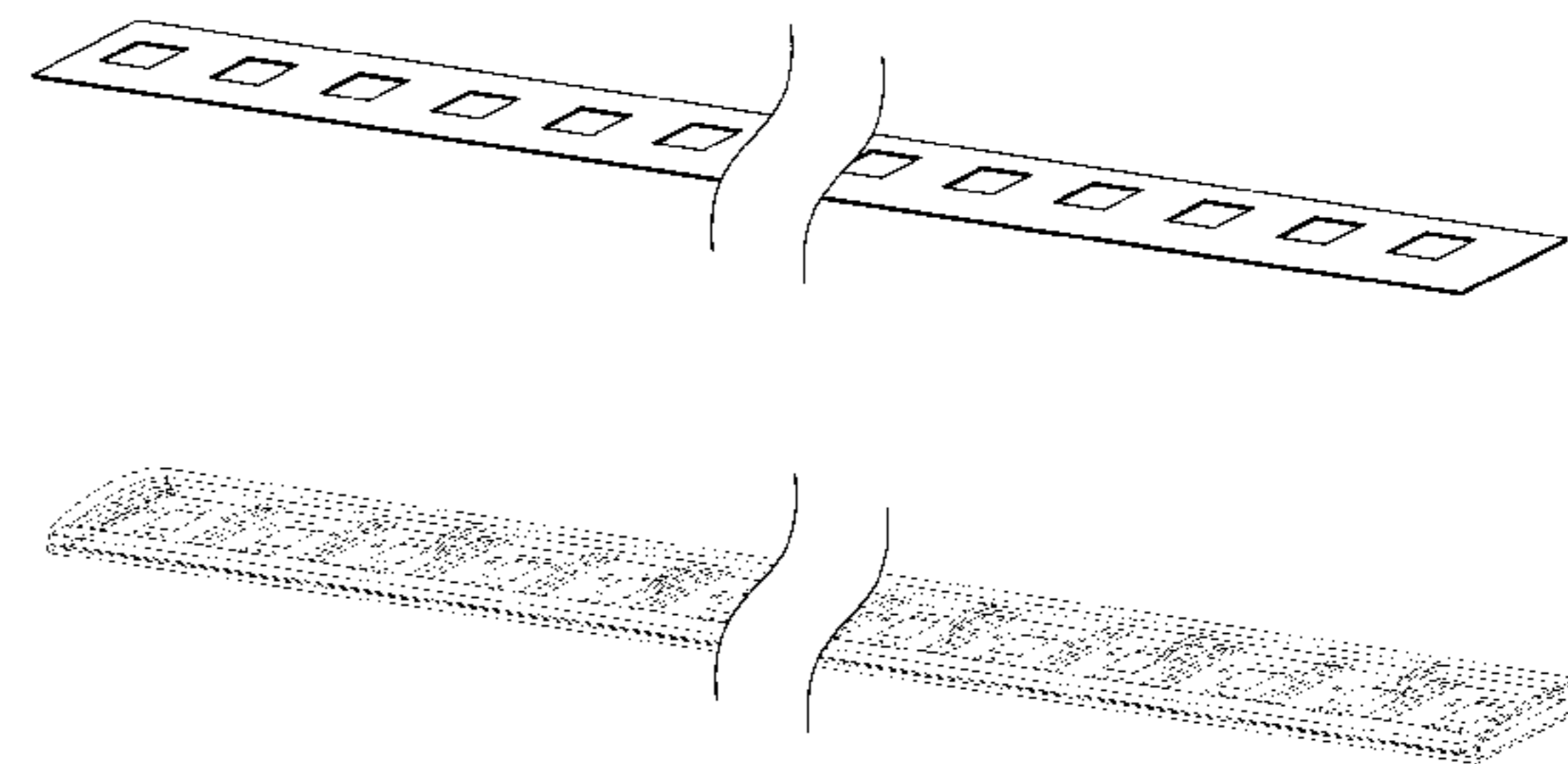
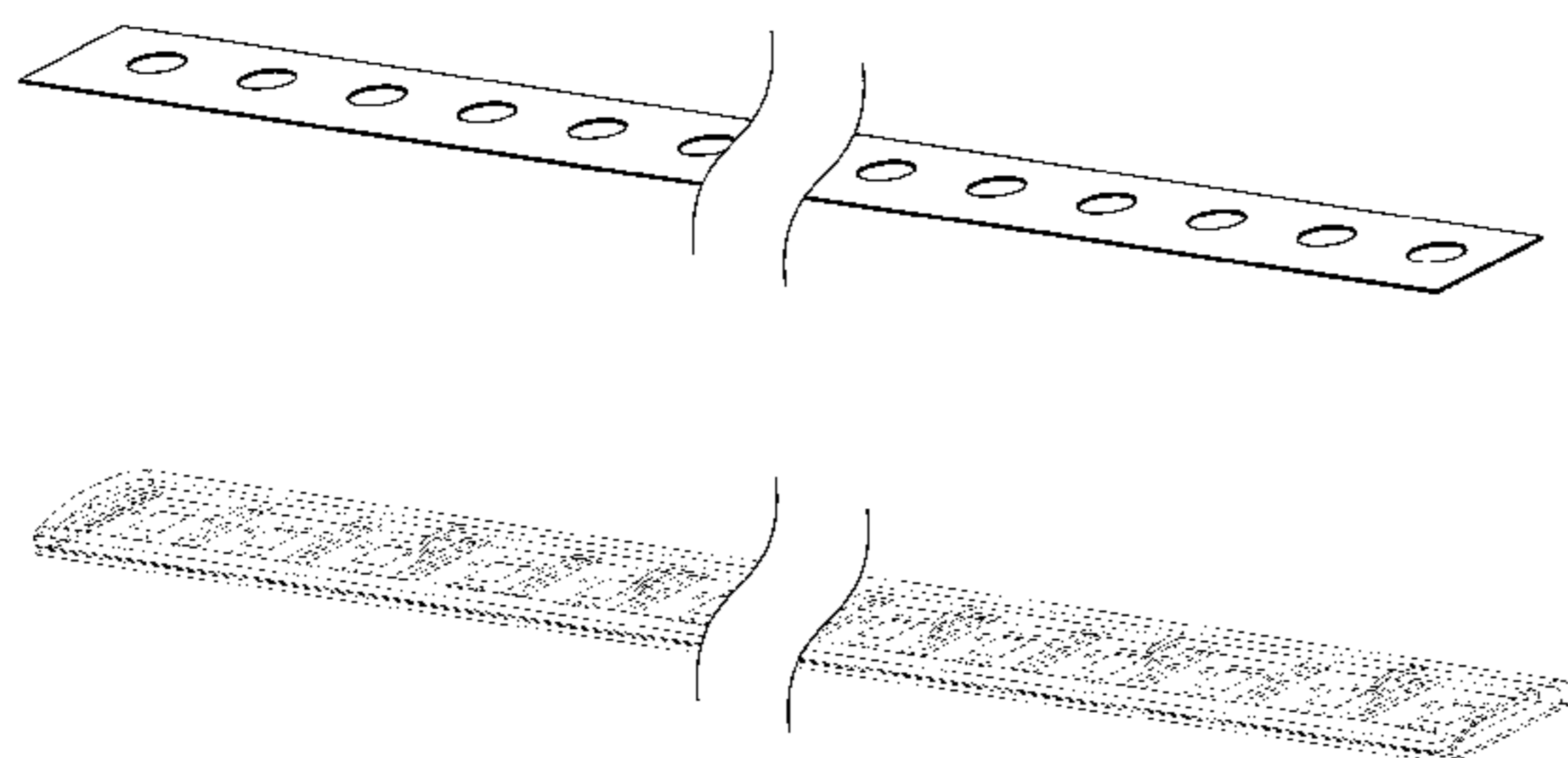
FIG. 5 is a perspective view of another embodiment of a cover for a light emitting diode strip showing my new design; and,

FIG. 6 is a top plan view thereof.

The cover has been shown broken in FIGS. 1-6 to indicate indeterminate length.

The portions of the figures shown in phantom lines in FIGS. 1, 3, and 5 are for purposes of illustrating environment only and form no part of the claimed design. The bottom is flat and devoid of surface ornamentation, and the side is of no substantial thickness.

1 Claim, 6 Drawing Sheets



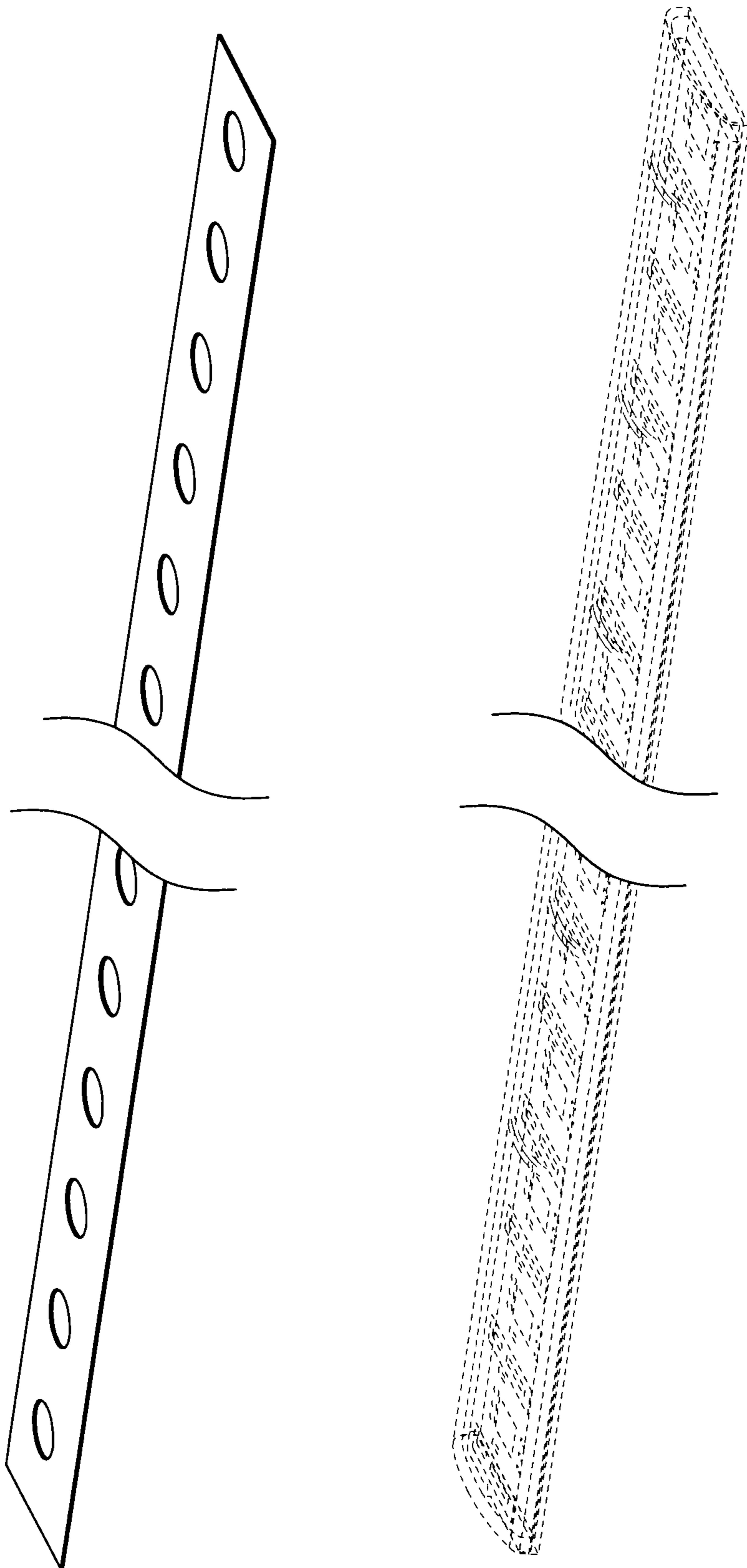


FIG. 1

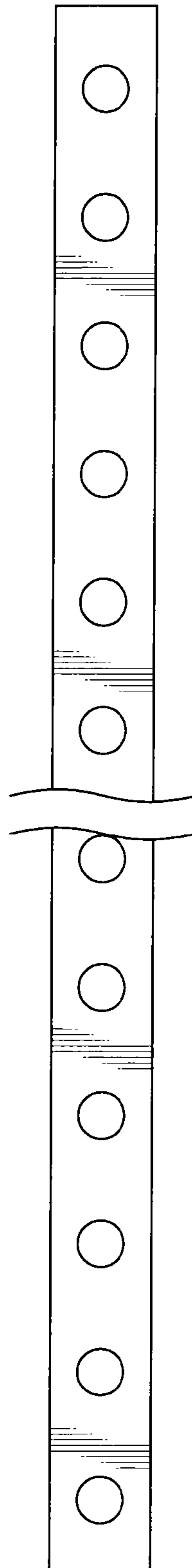


FIG. 2

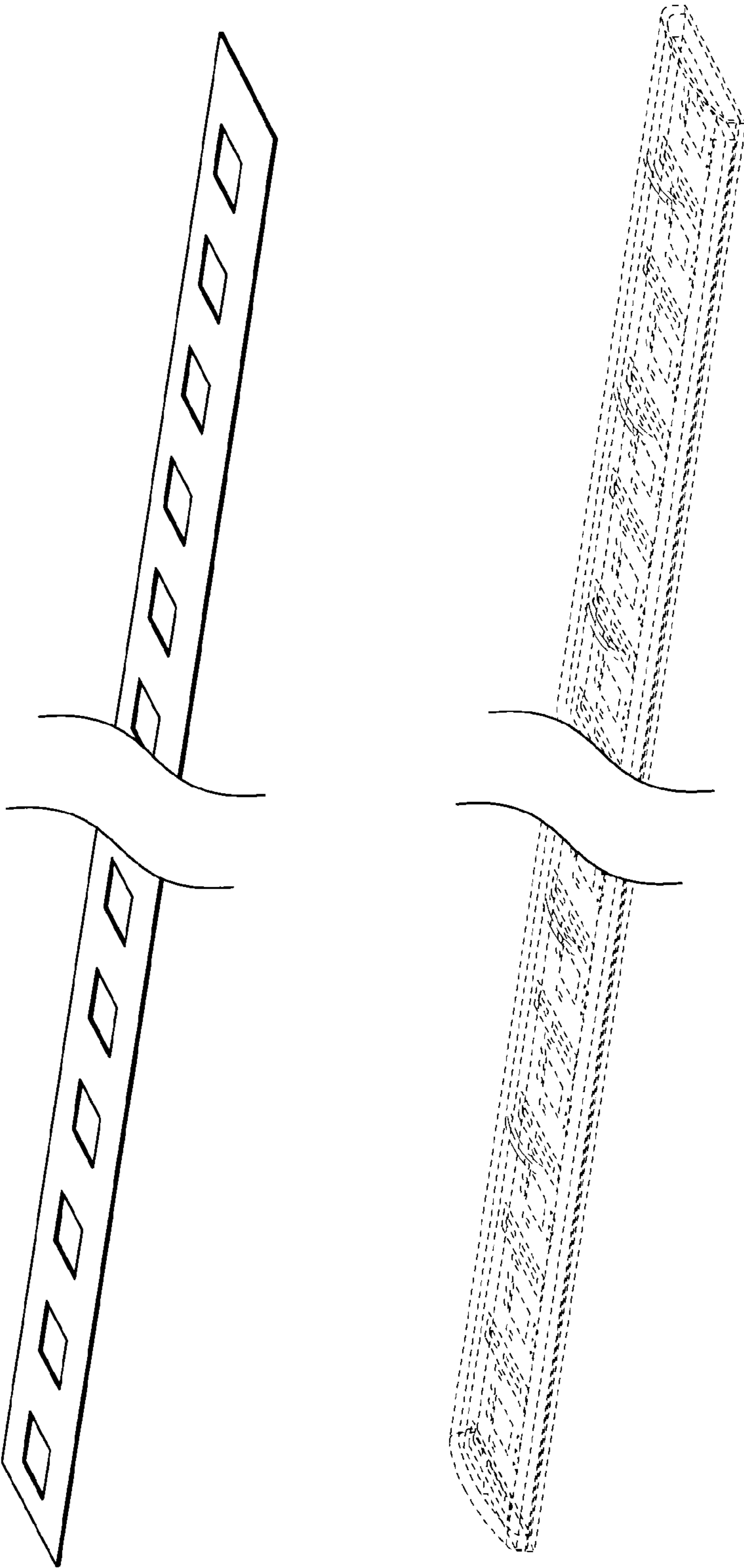


FIG. 3

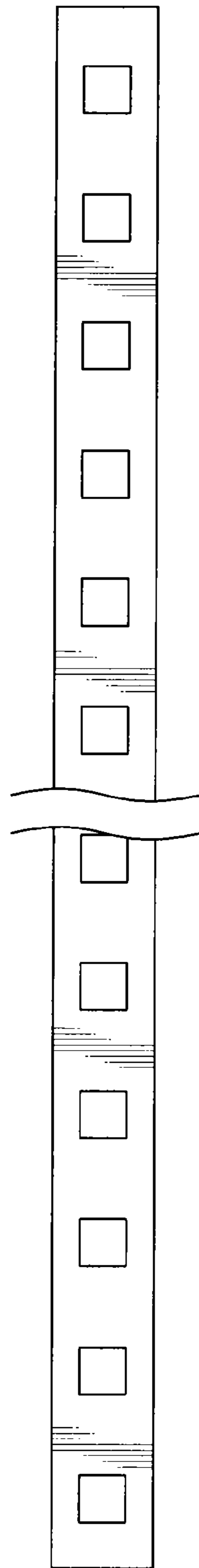


FIG. 4

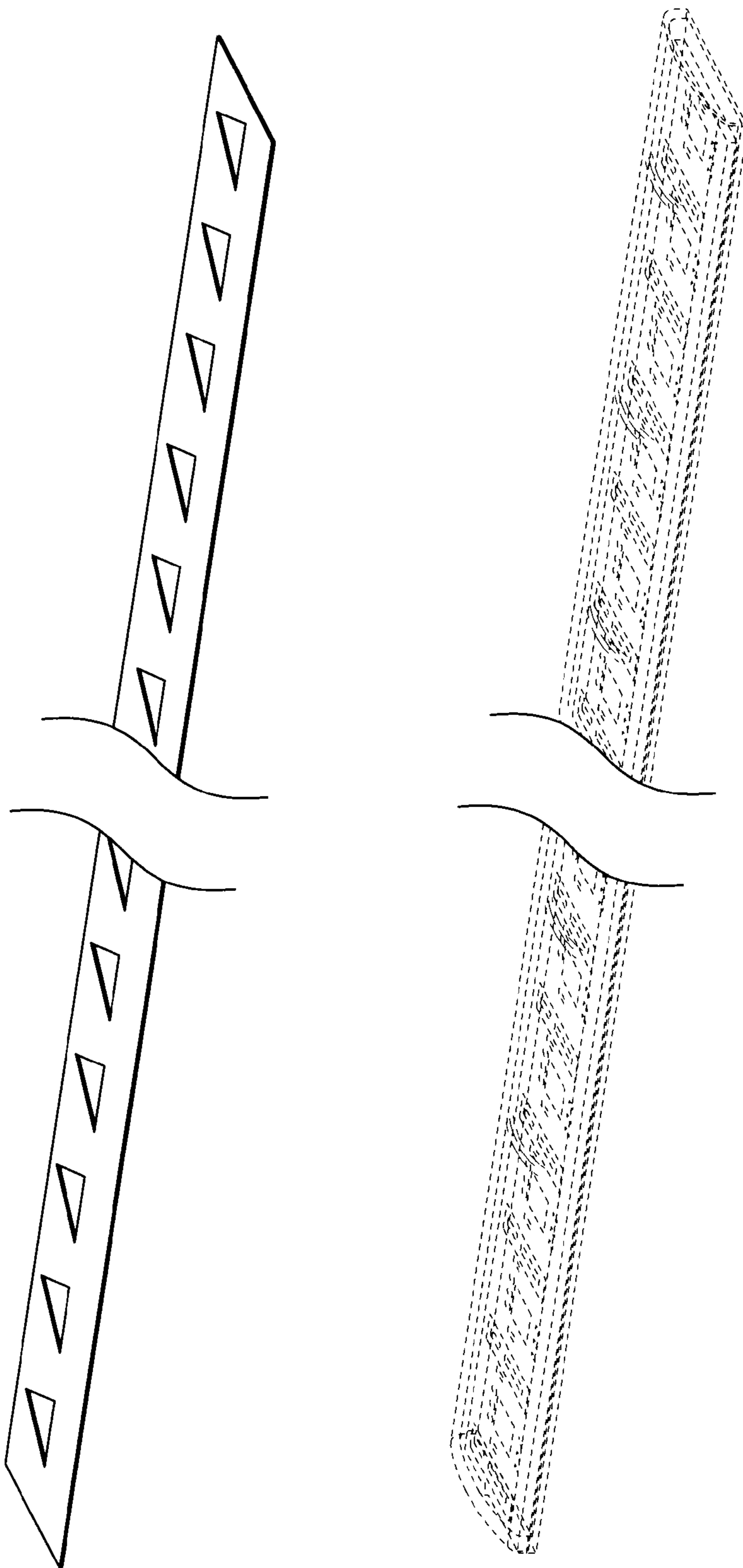


FIG. 5

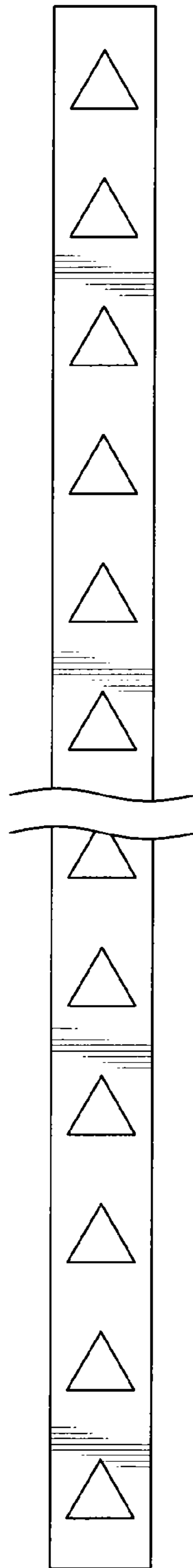


FIG. 6