



US00D774684S

(12) **United States Design Patent**  
**Velez et al.**

(10) **Patent No.:** **US D774,684 S**  
(45) **Date of Patent:** **\*\* Dec. 20, 2016**

(54) **FLOOR LAMP**

(71) Applicant: **Holly Hunt Enterprises, Inc.**, Chicago, IL (US)

(72) Inventors: **Alberto Velez**, Chicago, IL (US); **Bao Thai**, Chicago, IL (US)

(73) Assignee: **Holly Hunt Enterprises, Inc.**, Chicago, IL (US)

(\*\*) Term: **15 Years**

(21) Appl. No.: **29/547,018**

(22) Filed: **Nov. 30, 2015**

(51) **LOC (10) Cl.** ..... **26-03**

(52) **U.S. Cl.**  
USPC ..... **D26/111**

(58) **Field of Classification Search**  
USPC ..... D26/24, 93, 104, 106, 110, 111, 112  
CPC ..... F21S 6/00; F21S 6/002; F21S 6/004;  
F21S 6/008; F21S 8/08; F21V  
21/00; F21V 21/02; F21V 2131/30; F21V  
1/00; F21V 1/02; F21V 1/04  
See application file for complete search history.

(56) **References Cited**

**U.S. PATENT DOCUMENTS**

D448,516 S \* 9/2001 Schacht ..... D26/110  
D510,776 S \* 10/2005 Quentin ..... D26/111

D556,942 S \* 12/2007 Opolka et al. .... D26/111  
D579,603 S \* 10/2008 Dordoni ..... D26/112  
D720,493 S \* 12/2014 Salvadori ..... D26/110

\* cited by examiner

*Primary Examiner* — Brian N Vinson

(74) *Attorney, Agent, or Firm* — Blank Rome LLP

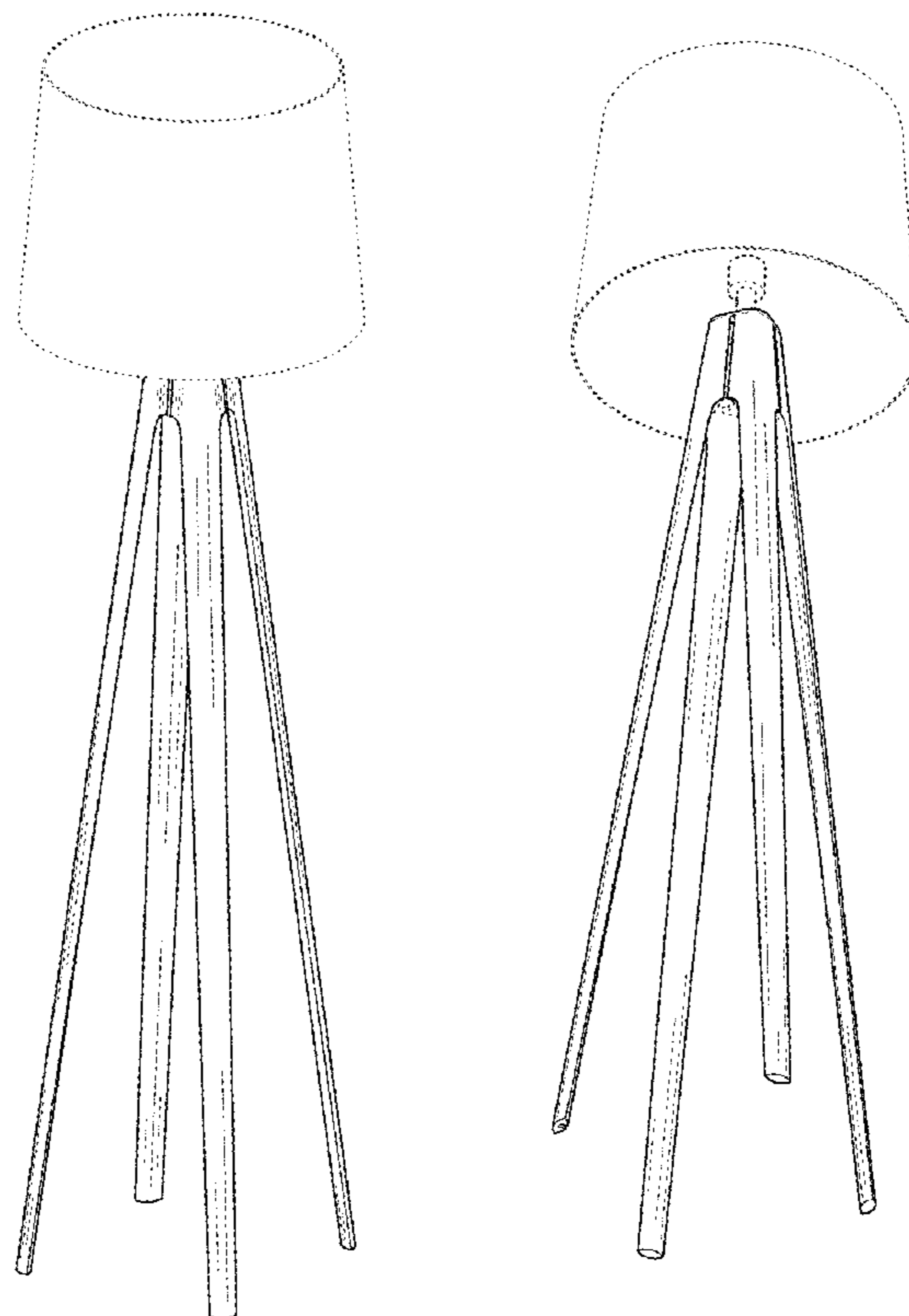
(57) **CLAIM**

The ornamental design for a floor lamp, as shown and described.

**DESCRIPTION**

FIG. 1 is a side perspective view of a floor lamp in accordance with the present design;  
FIG. 2 is a bottom perspective view of the floor lamp illustrated in FIG. 1;  
FIG. 3 is a side view of the floor lamp illustrated in FIG. 1;  
FIG. 4 is a top view of the floor lamp illustrated in FIG. 1; and,  
FIG. 5 is a bottom view of the floor lamp illustrated in FIG. 1.  
The broken line disclosure shows portions of the lamp which form no part of the claimed design.

**1 Claim, 4 Drawing Sheets**



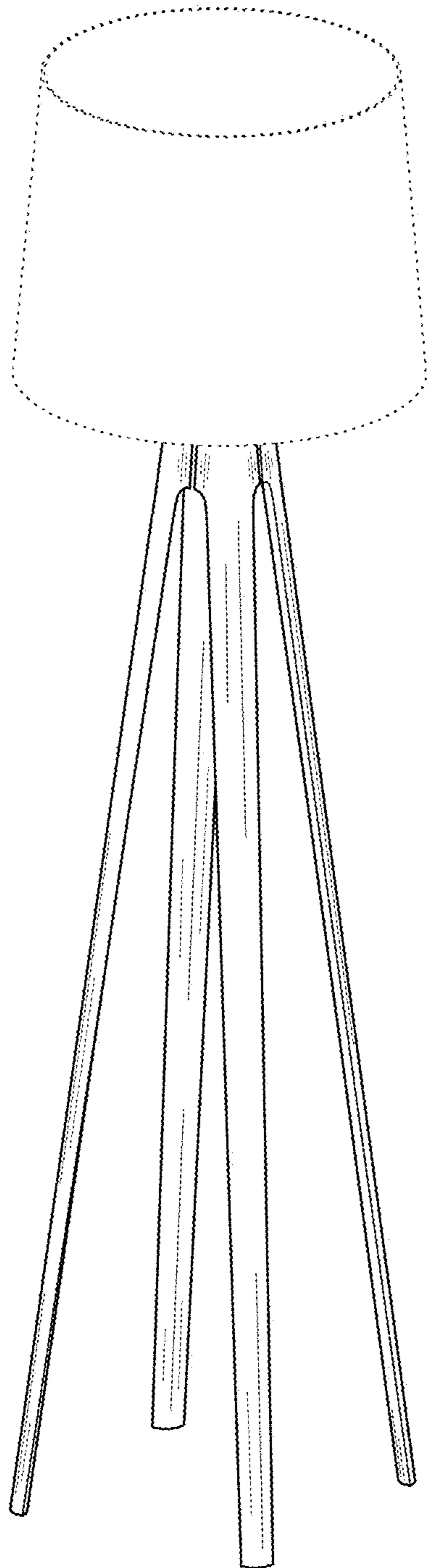


FIG. 1

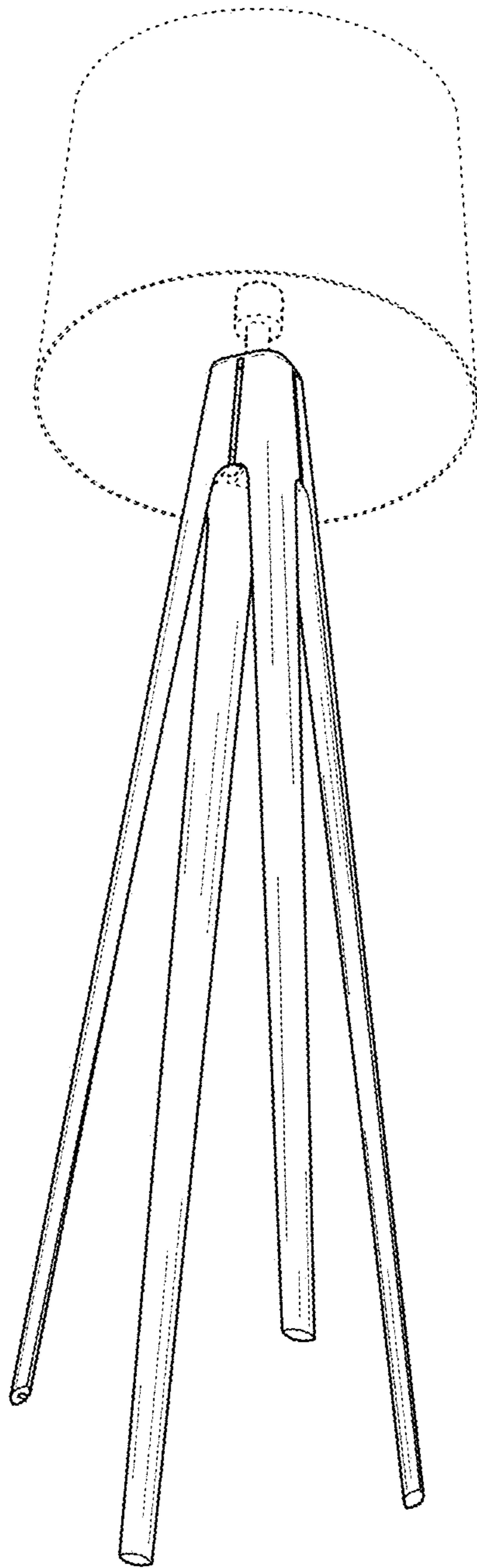


FIG. 2

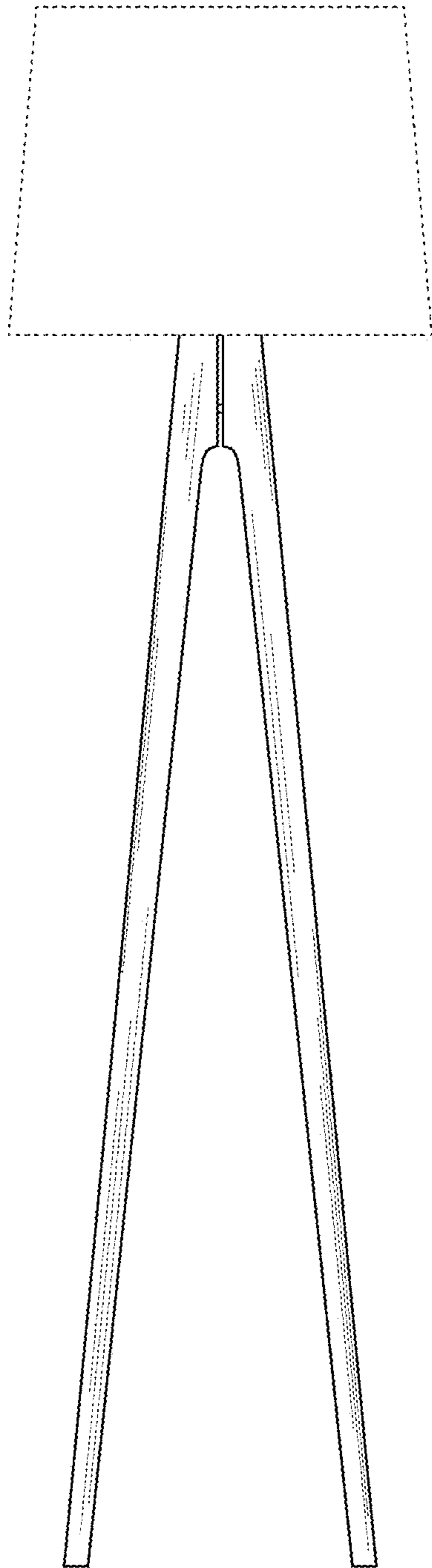


FIG. 3

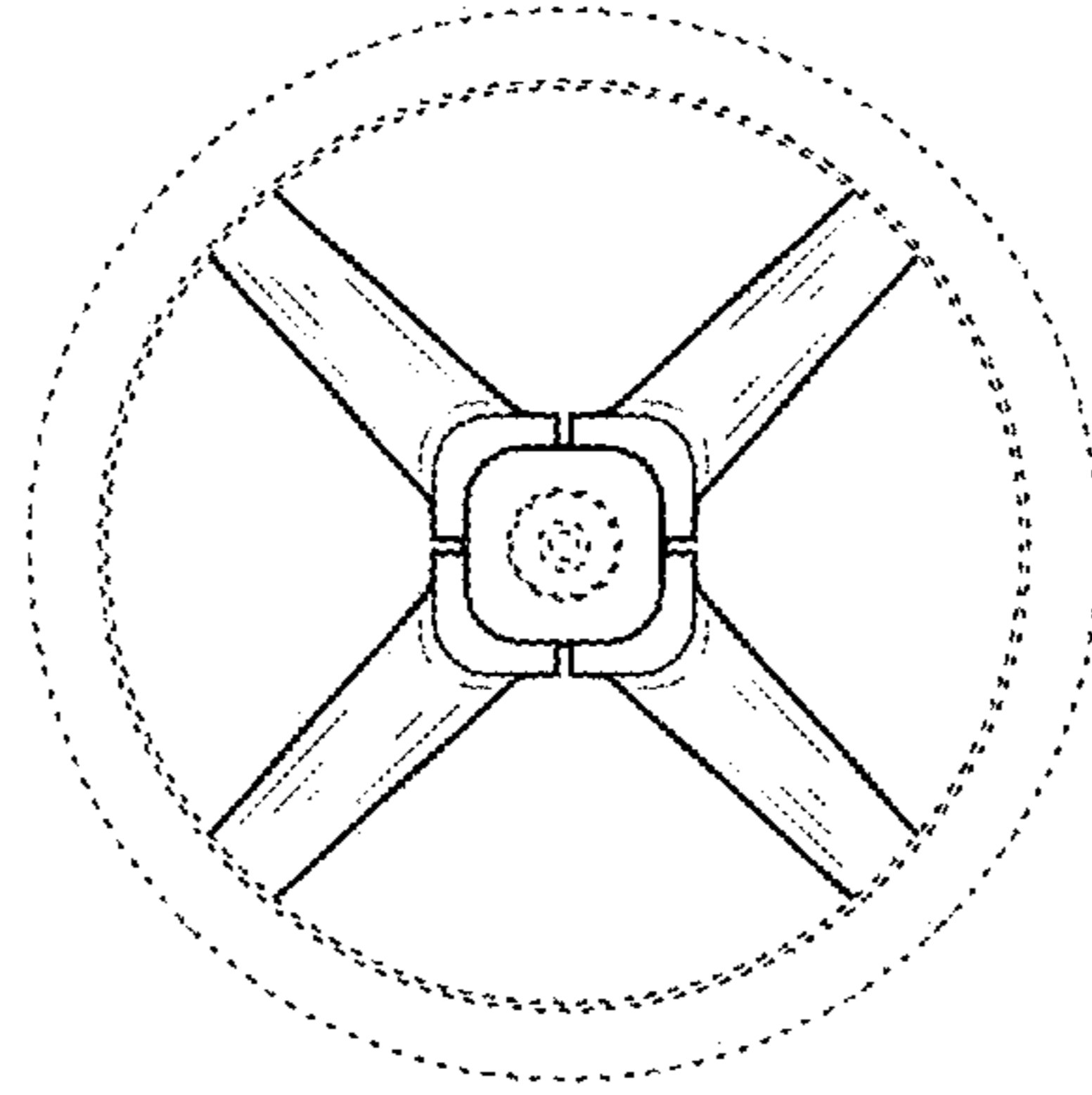


FIG. 4

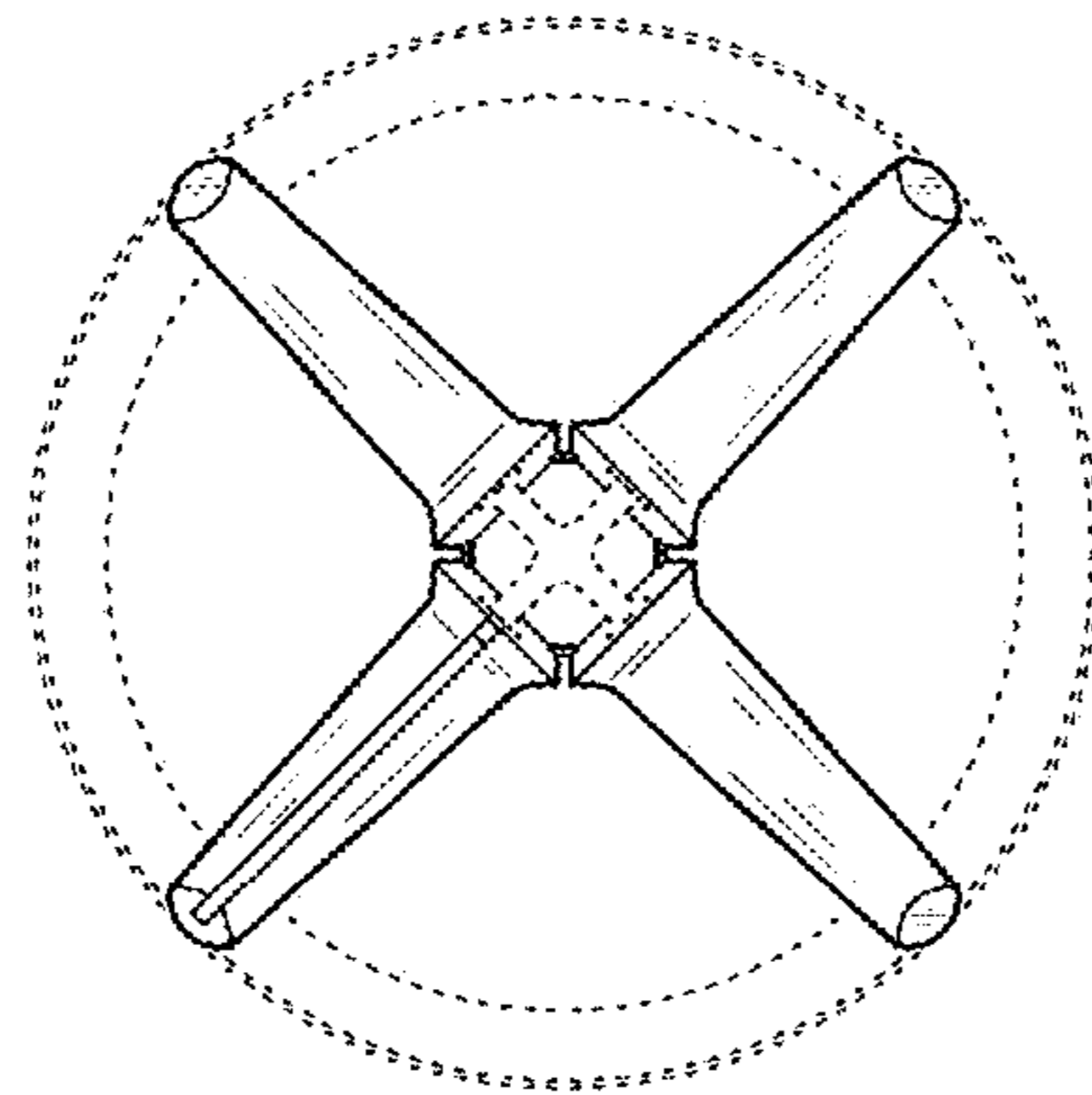


FIG. 5