



US00D774683S

(12) **United States Design Patent** (10) **Patent No.:** **US D774,683 S**
Wang et al. (45) **Date of Patent:** **** Dec. 20, 2016**

(54) **LAMP**

OTHER PUBLICATIONS

(71) Applicant: **HC Wang Design Inc.**, Sunnyside, NY (US)

CAD drawings and image of design publicly displayed by the Applicant (HC Wang Design Inc.) at least as early as the year 2010.

(72) Inventors: **Hsin-Chun Wang**, Sunnyside, NY (US); **Ye Liu**, Sunnyside, NY (US)

* cited by examiner

(73) Assignee: **HC WANG DESIGN INC.**, Sunnyside, NY (US)

Primary Examiner — Brian N Vinson

(74) *Attorney, Agent, or Firm* — Leason Ellis LLP

(**) Term: **14 Years**

(57) **CLAIM**

The ornamental design for a lamp, as shown and described.

(21) Appl. No.: **29/525,557**

DESCRIPTION

(22) Filed: **Apr. 30, 2015**

(51) **LOC (10) Cl.** **26-03**

(52) **U.S. Cl.**
USPC **D26/93**

(58) **Field of Classification Search**
USPC D26/1, 24, 28, 88, 93, 94, 106, 110, 118
CPC F21S 6/00; F21S 6/002; F21V 3/00;
F21W 2121/00; F21W 2131/00
See application file for complete search history.

FIG. 1 is a front and side perspective view of a lamp showing our new design in a first orientation in which the front panel is in an extended state;
FIG. 2 is a bottom side view thereof in a second orientation;
FIG. 3 is a right side view thereof;
FIG. 4 is a left side view thereof;
FIG. 5 is a top view thereof;
FIG. 6 is a bottom view thereof;
FIG. 7 is a front view thereof;
FIG. 8 is a rear view thereof; and,
FIG. 9 is a bottom side view thereof in a third orientation in which the front panel is in a depressed state.

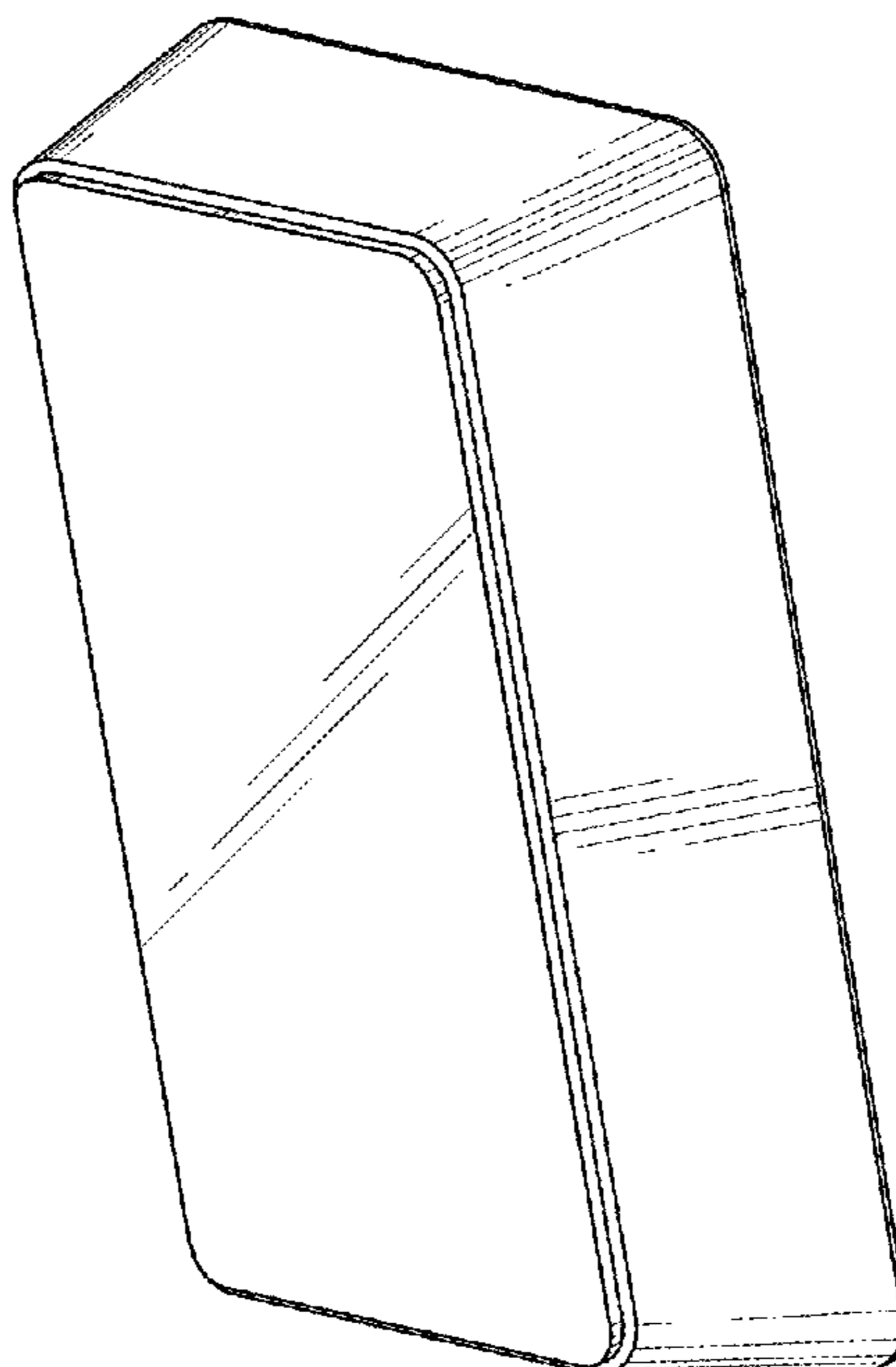
The broken lines shown in the Figures of the power receptacle and ground surface, as well as their respective placement, size and configuration, illustrate the environment only and form no part of the claimed design.

(56) **References Cited**

U.S. PATENT DOCUMENTS

D427,343 S * 6/2000 Reinbach D26/28
D576,760 S * 9/2008 Ottobre D26/118
D633,639 S * 3/2011 Vincent D26/88
D693,515 S * 11/2013 Muller D26/93

1 Claim, 5 Drawing Sheets



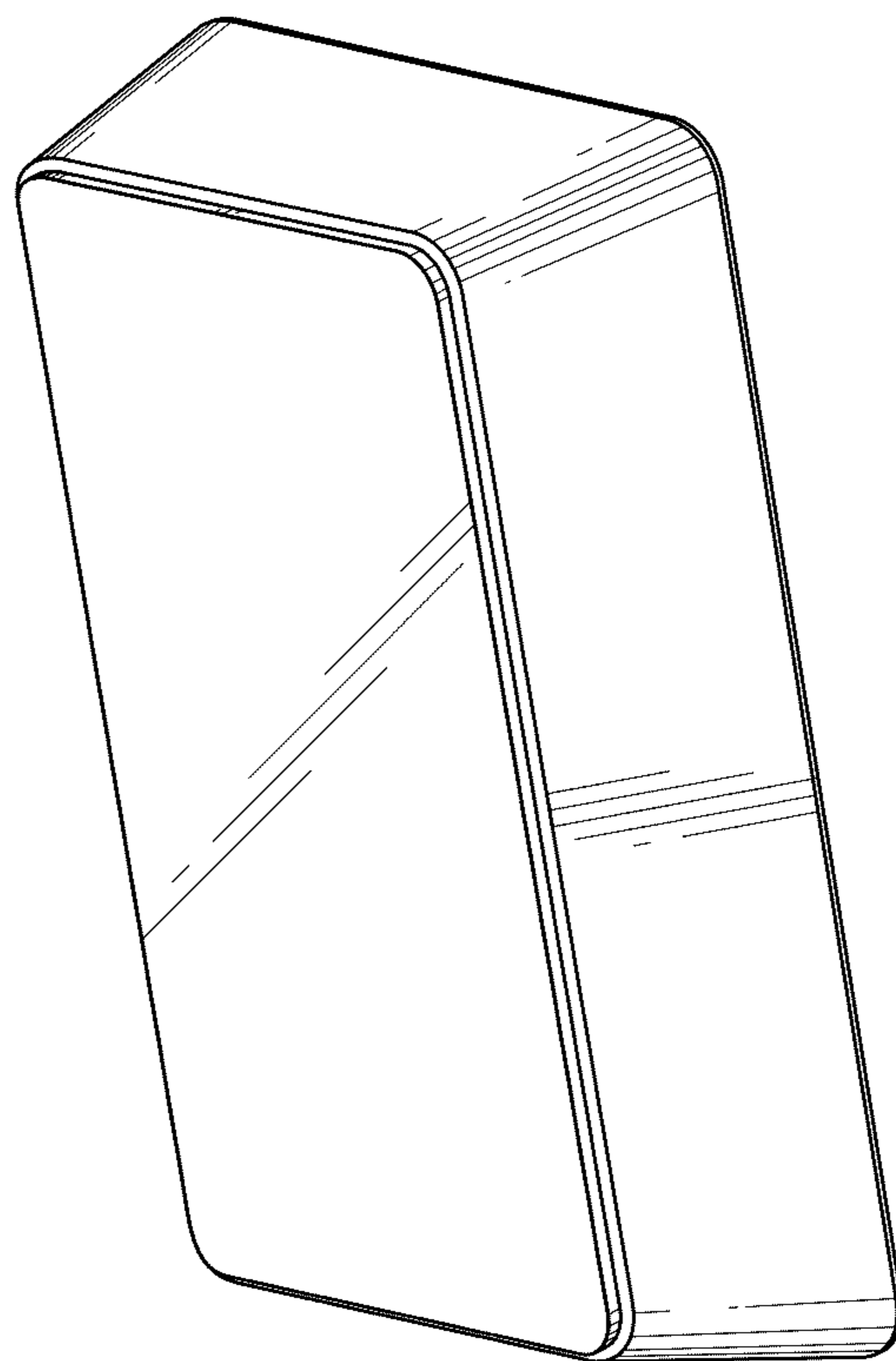


Fig. 1

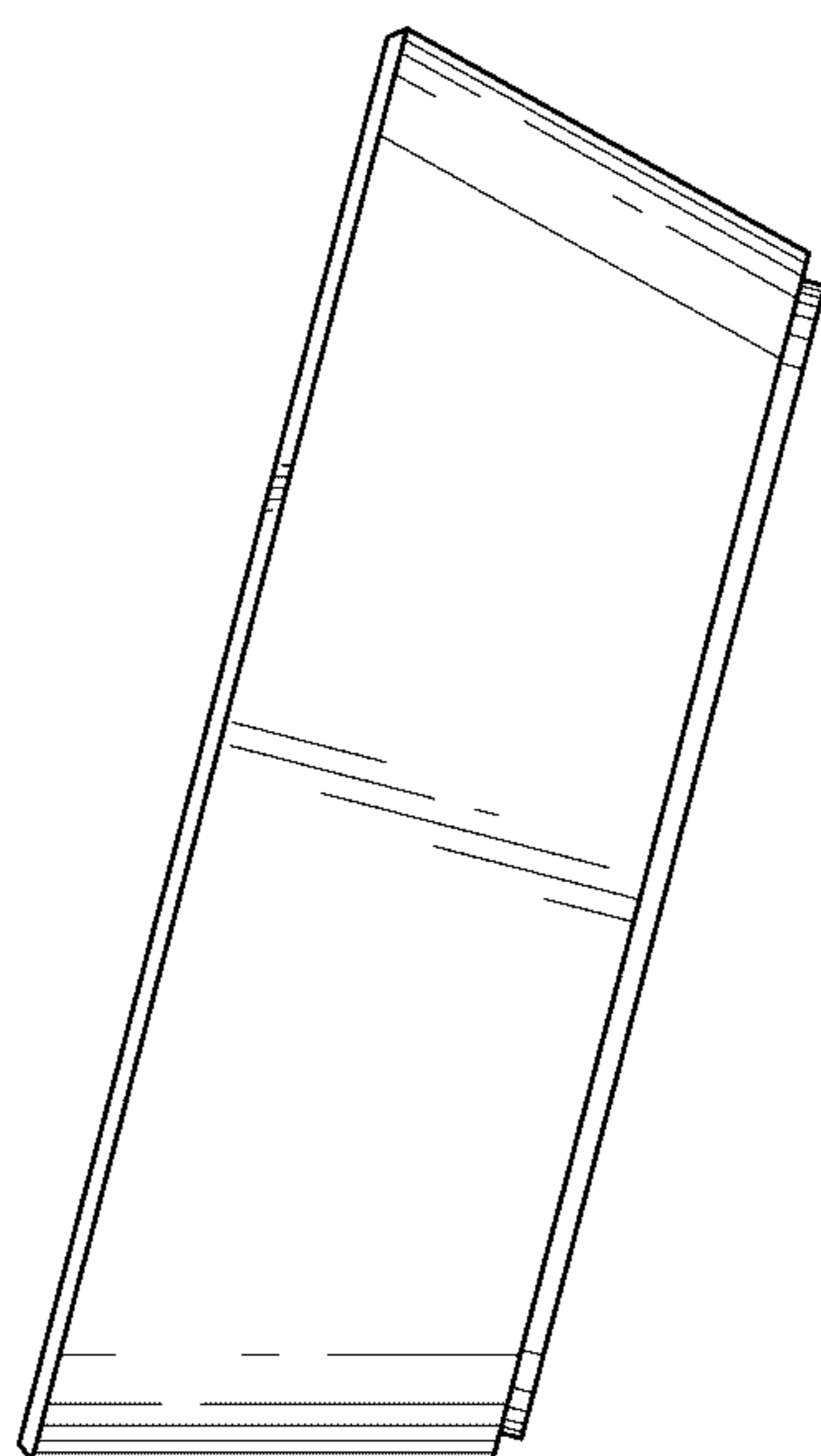


Fig. 2

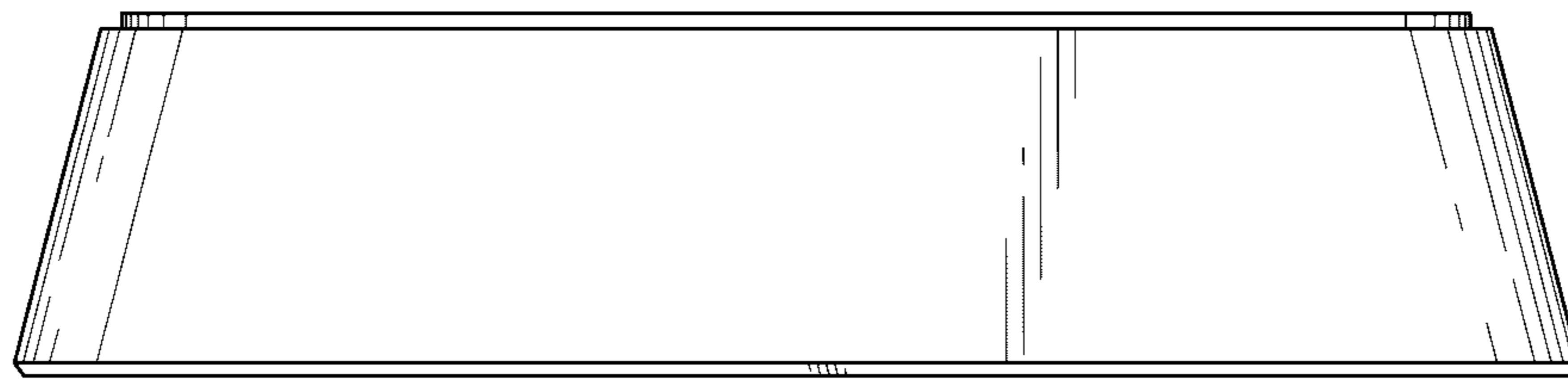


Fig. 3

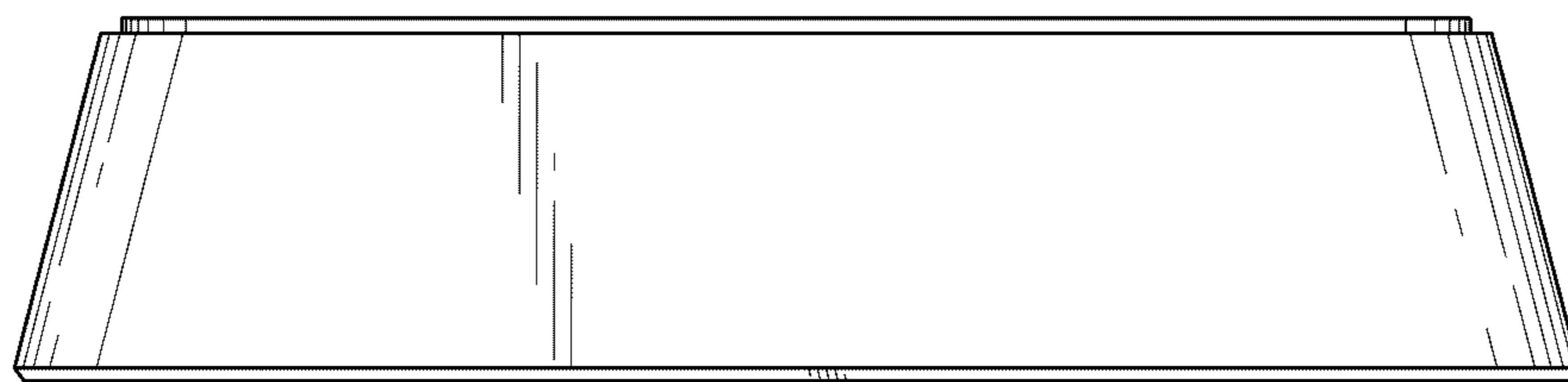


Fig. 4

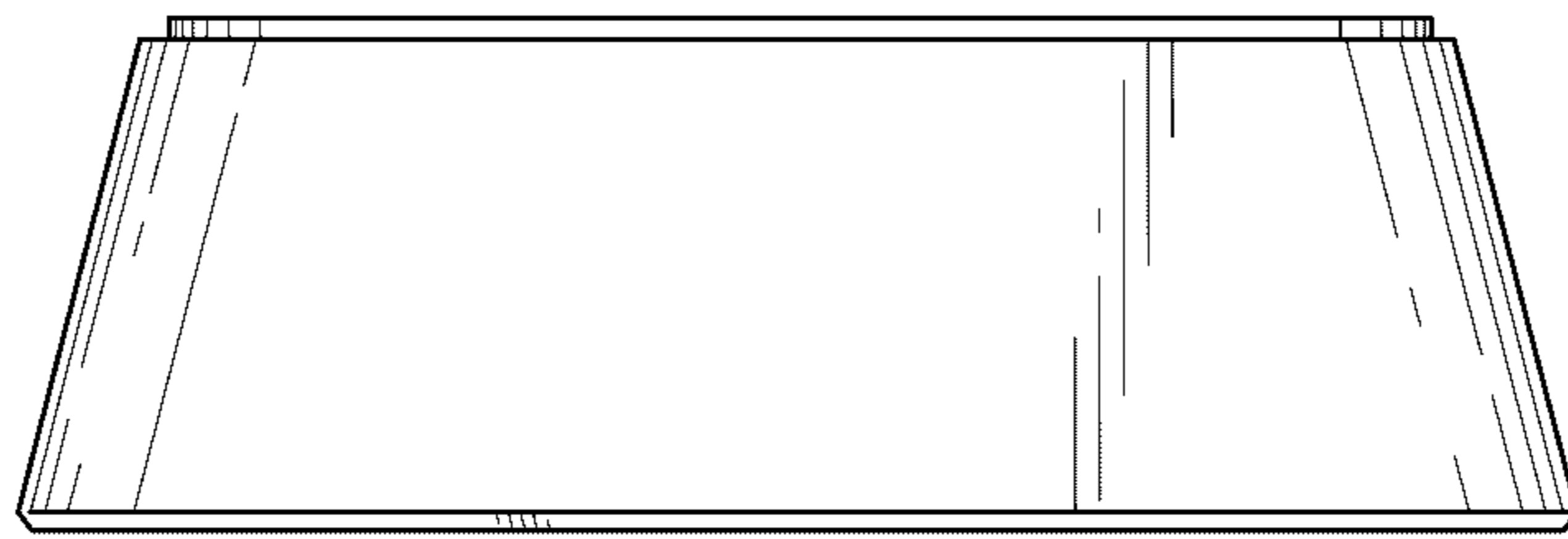


Fig. 5

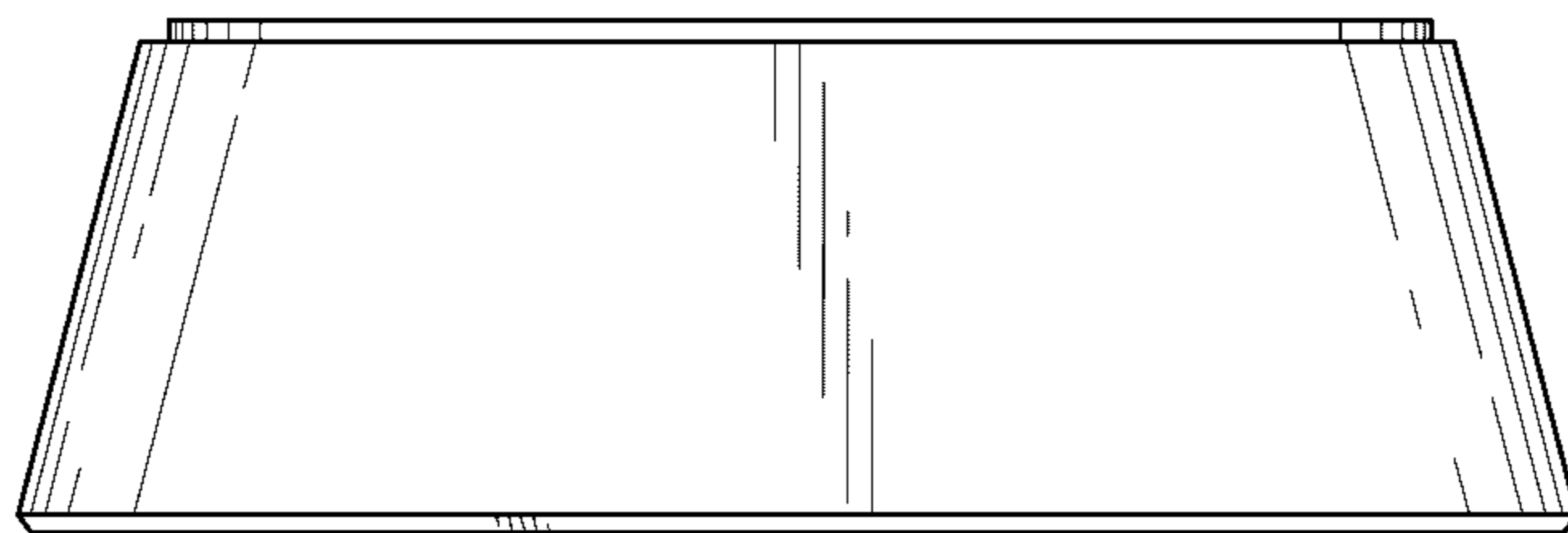


Fig. 6

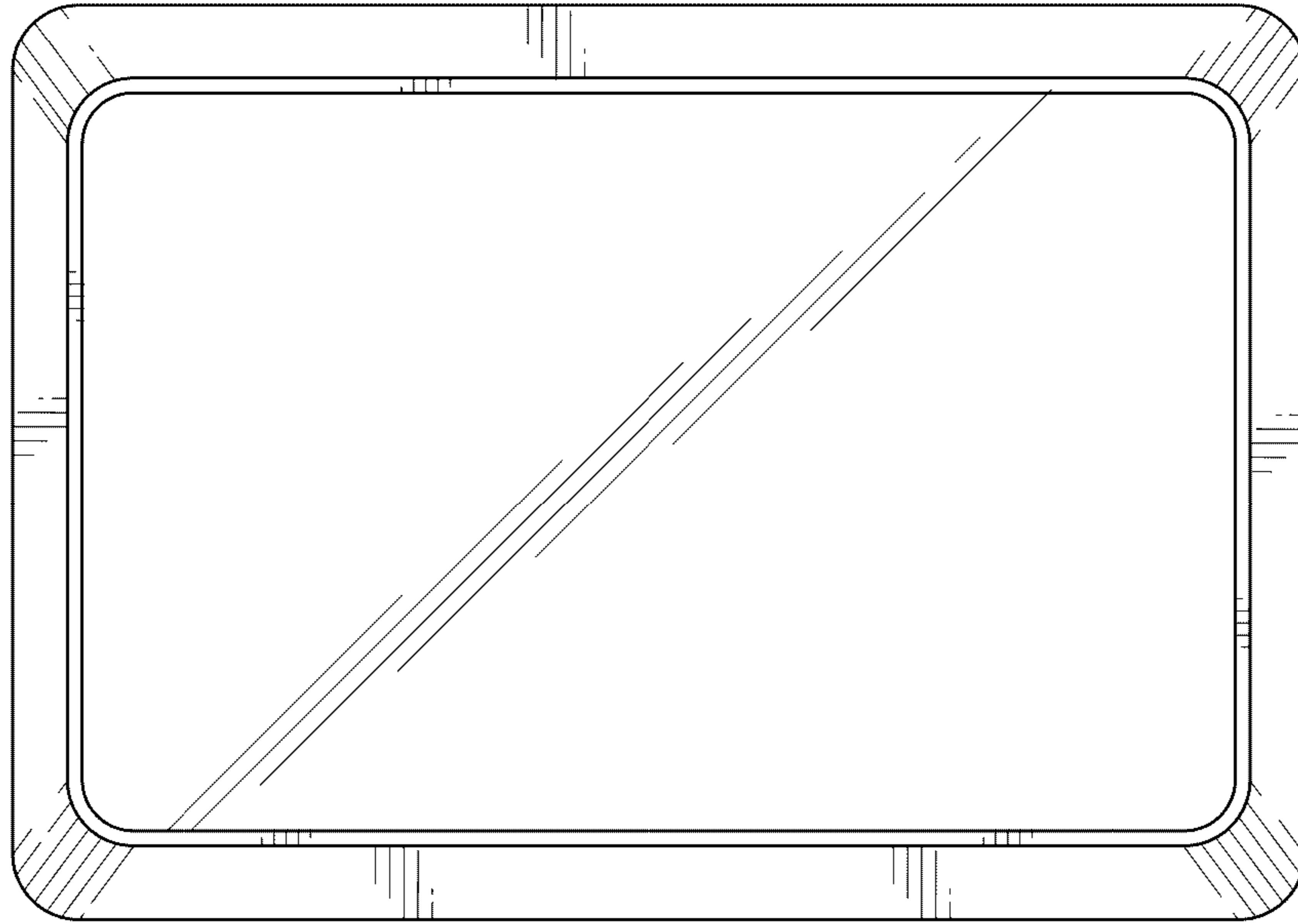


Fig. 7

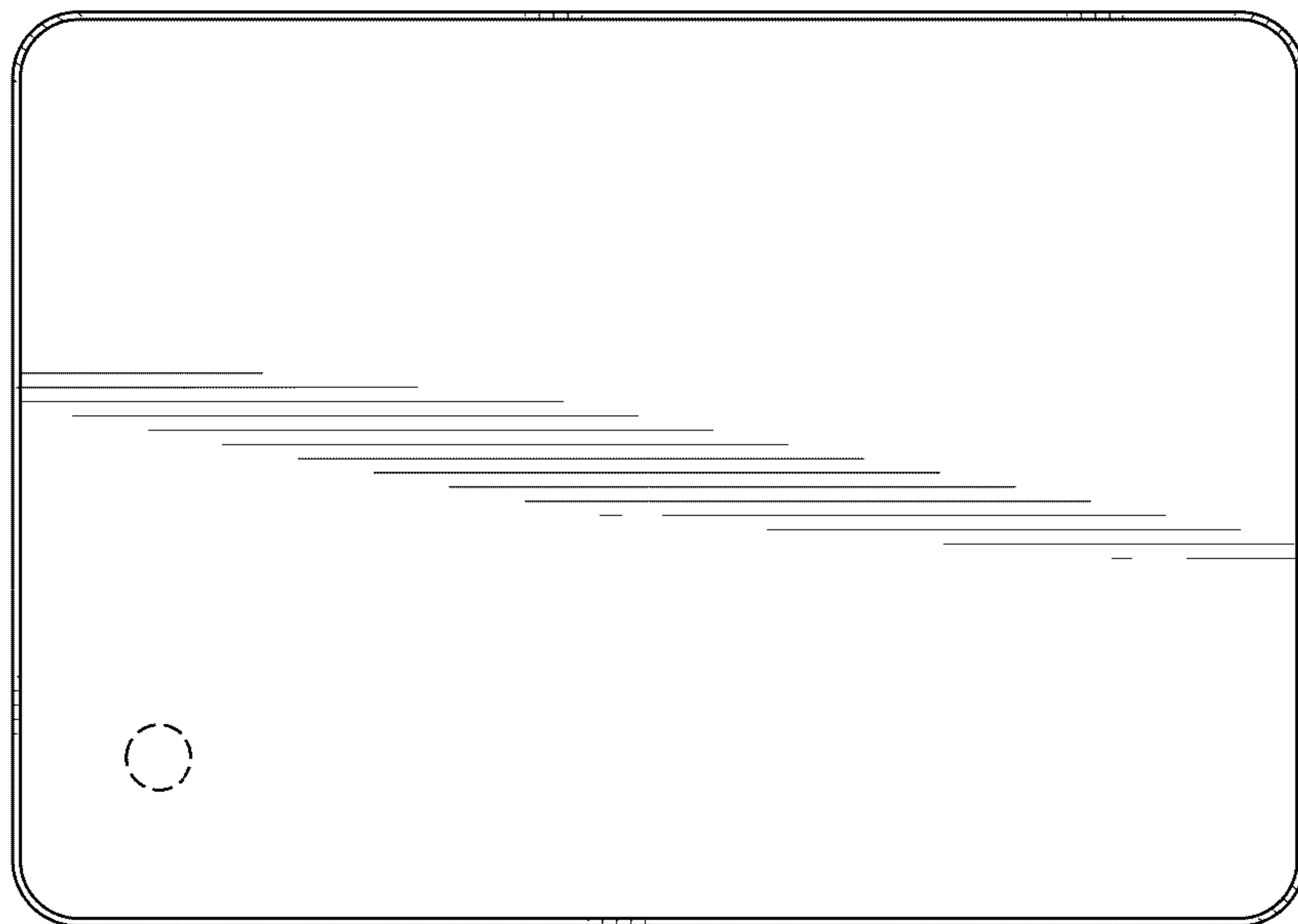


Fig. 8

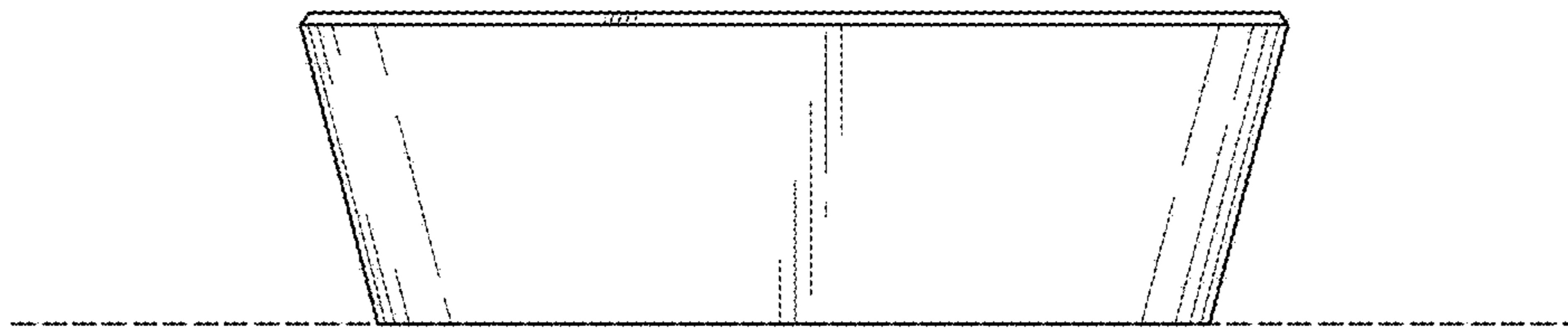


Fig. 9