



US00D774682S

(12) **United States Design Patent**  
**Chen**

(10) **Patent No.:** **US D774,682 S**

(45) **Date of Patent:** **\*\* Dec. 20, 2016**

(54) **LAMP**

(71) Applicant: **SEED LIGHTING DESIGN CO., LTD.**, Xinzhuang Dist., New Taipei (TW)

(72) Inventor: **Meiric Chen**, New Taipei (TW)

(\*\*) Term: **15 Years**

(21) Appl. No.: **29/541,295**

(22) Filed: **Oct. 2, 2015**

(51) **LOC (10) Cl.** ..... **26-03**

(52) **U.S. Cl.**  
USPC ..... **D26/85; D26/90**

(58) **Field of Classification Search**  
USPC ..... D26/72, 76, 77, 78, 80, 85, 88, 89, 90,  
D26/91, 142, 121, 122  
CPC ..... F21S 8/03; F21S 8/031; F21S 8/033;  
F21S 8/036; F21S 9/03; F21S  
9/037; F21V 21/025; F21V 17/08; F21V  
17/10

See application file for complete search history.

(56) **References Cited**

**U.S. PATENT DOCUMENTS**

D128,786 S *	8/1941	McCann	362/217.08
D256,167 S *	7/1980	Thomson	D26/42
5,550,725 A *	8/1996	Shemitz	F21V 21/30 362/147
D537,553 S *	2/2007	Kotovskyy	D26/75
D554,793 S *	11/2007	Bobel	D26/75
D569,027 S *	5/2008	Hakamada	D26/76
D611,643 S *	3/2010	Owen	D26/76

D633,642 S *	3/2011	Wauters	D26/76
D636,504 S *	4/2011	Duster	D26/3
D662,245 S *	6/2012	Steffy	D26/75
D664,282 S *	7/2012	Santoro	D26/76
D669,625 S *	10/2012	Herremans	D26/90
D671,254 S *	11/2012	Miyatake	D26/75
D695,443 S *	12/2013	Kaule	D26/76
D700,732 S *	3/2014	Clark	D26/76
D740,479 S *	10/2015	Beno	D26/118
2011/0317435 A1 *	12/2011	Wang	F21V 21/025 362/370

\* cited by examiner

*Primary Examiner* — Clare E Heflin

(57) **CLAIM**

The ornamental design for a lamp, as shown and described.

**DESCRIPTION**

FIG. 1 is a perspective view of a lamp showing my new design;

FIG. 2 is a front view thereof;

FIG. 3 is a rear view thereof;

FIG. 4 is a left side elevational view thereof;

FIG. 5 is a right side elevational view thereof;

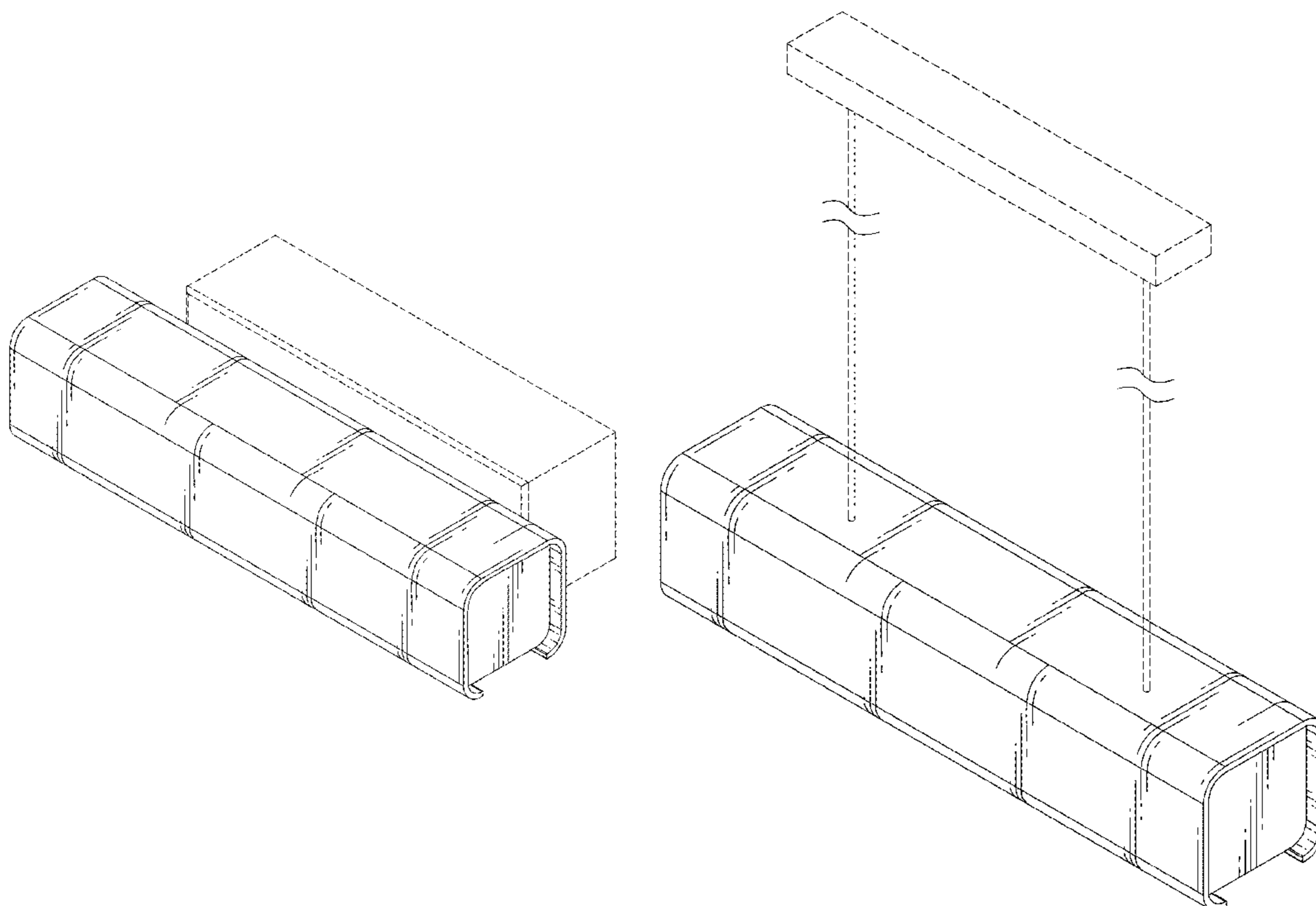
FIG. 6 is a top view thereof;

FIG. 7 is a bottom view thereof; and

FIG. 8 is a perspective view showing the lamp in use; and, FIG. 9 is a perspective view showing the lamp in another use.

The broken lines shown on the drawings depict environment only and form no part of the claimed design.

**1 Claim, 8 Drawing Sheets**



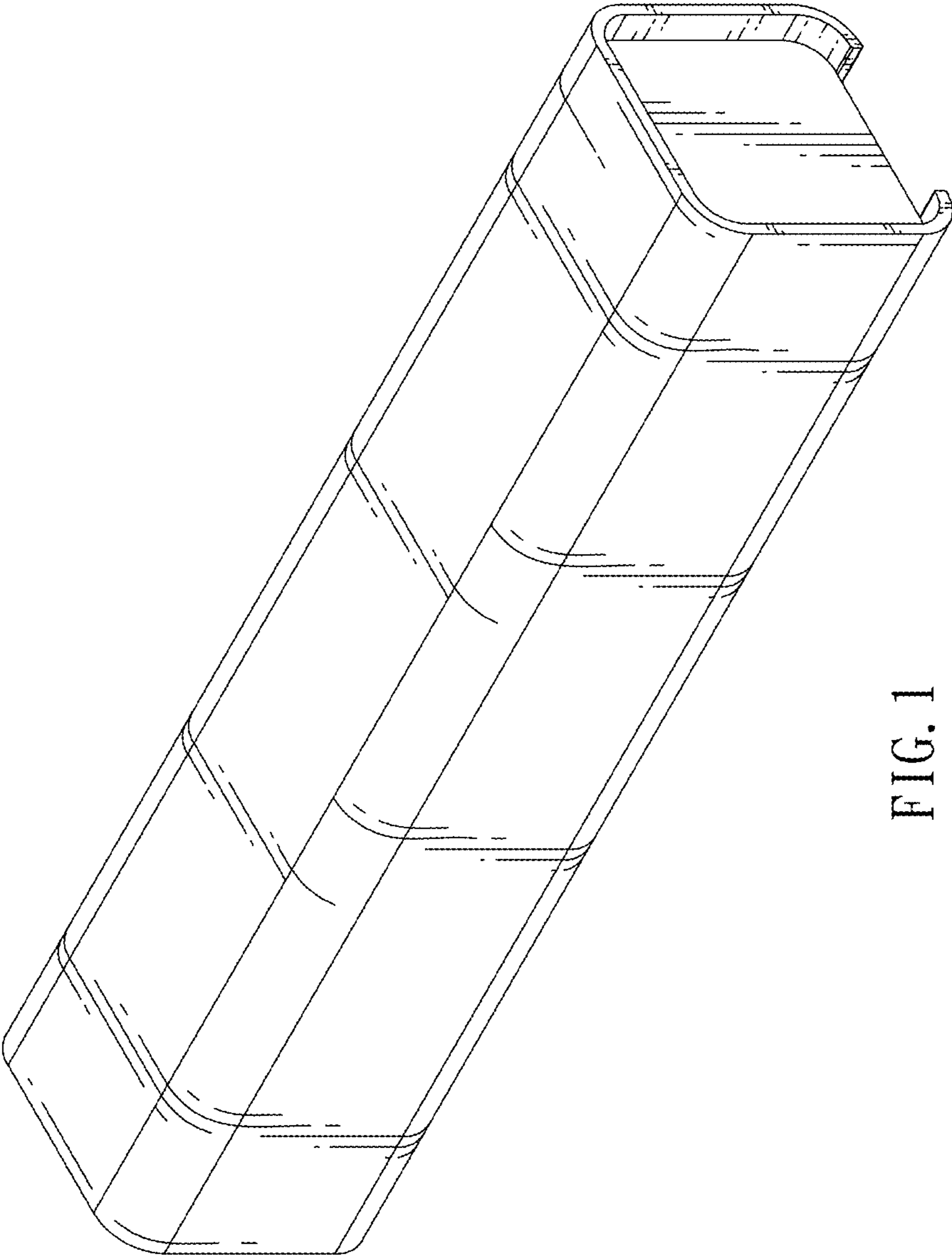


FIG. 1

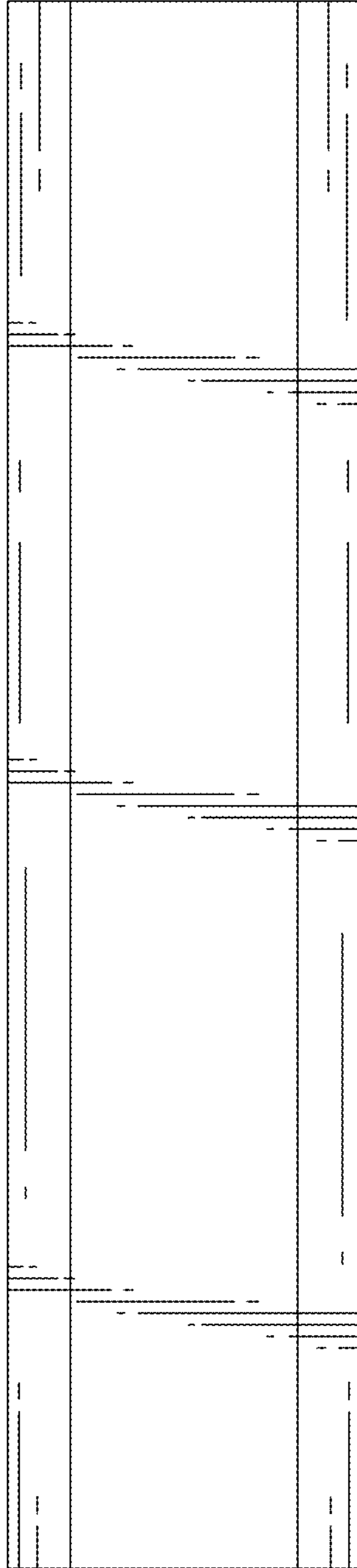


FIG. 2

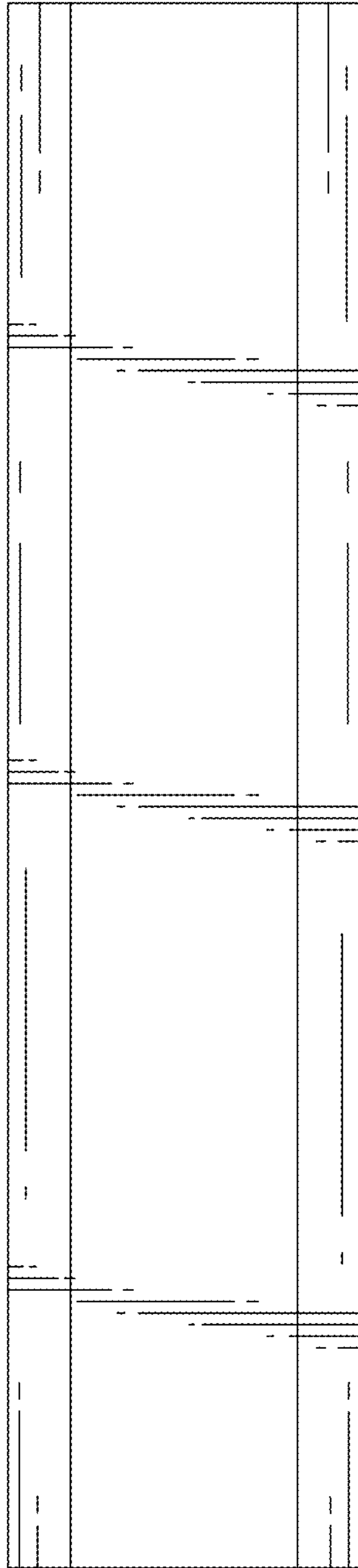


FIG. 3

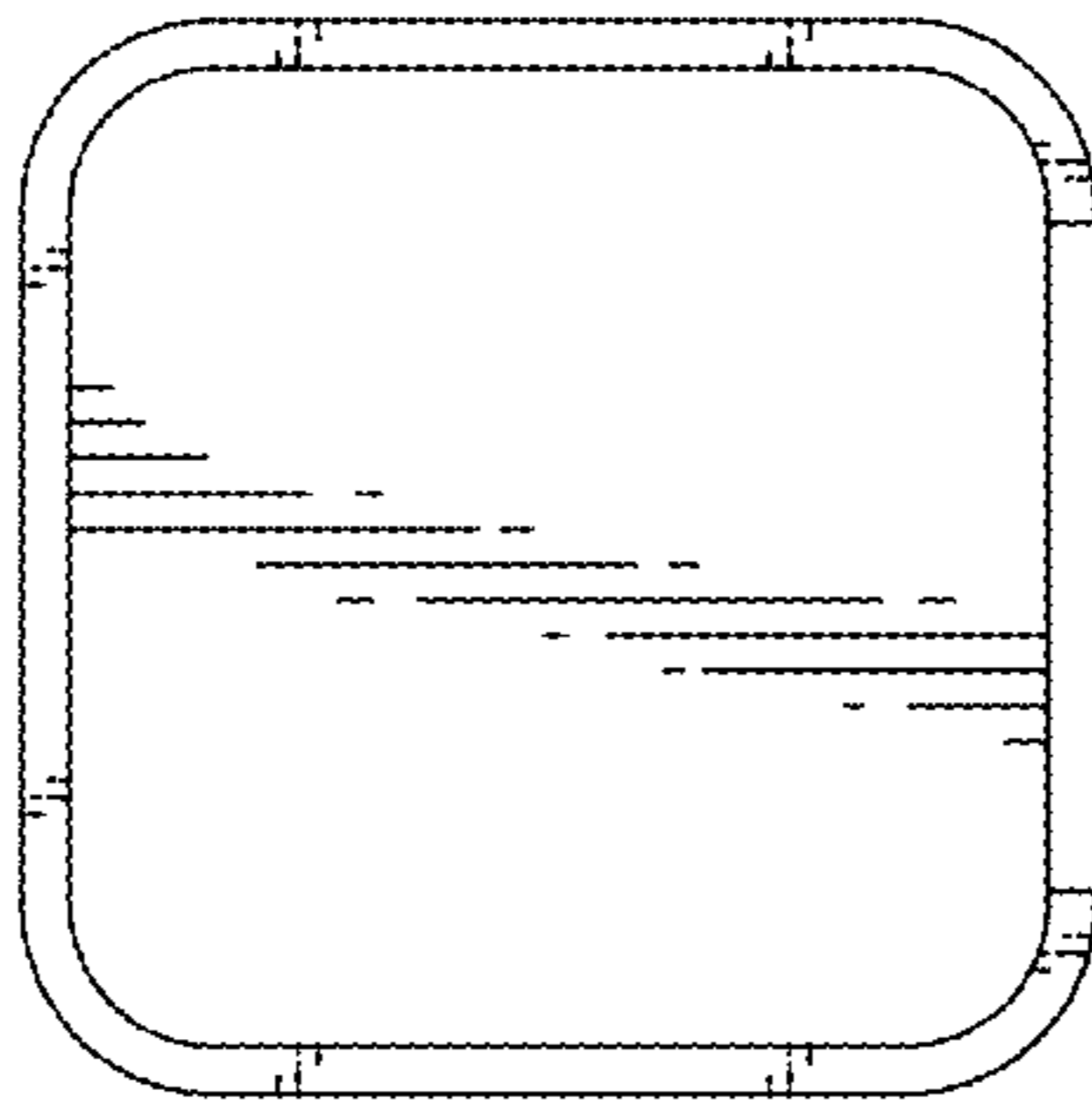


FIG. 5

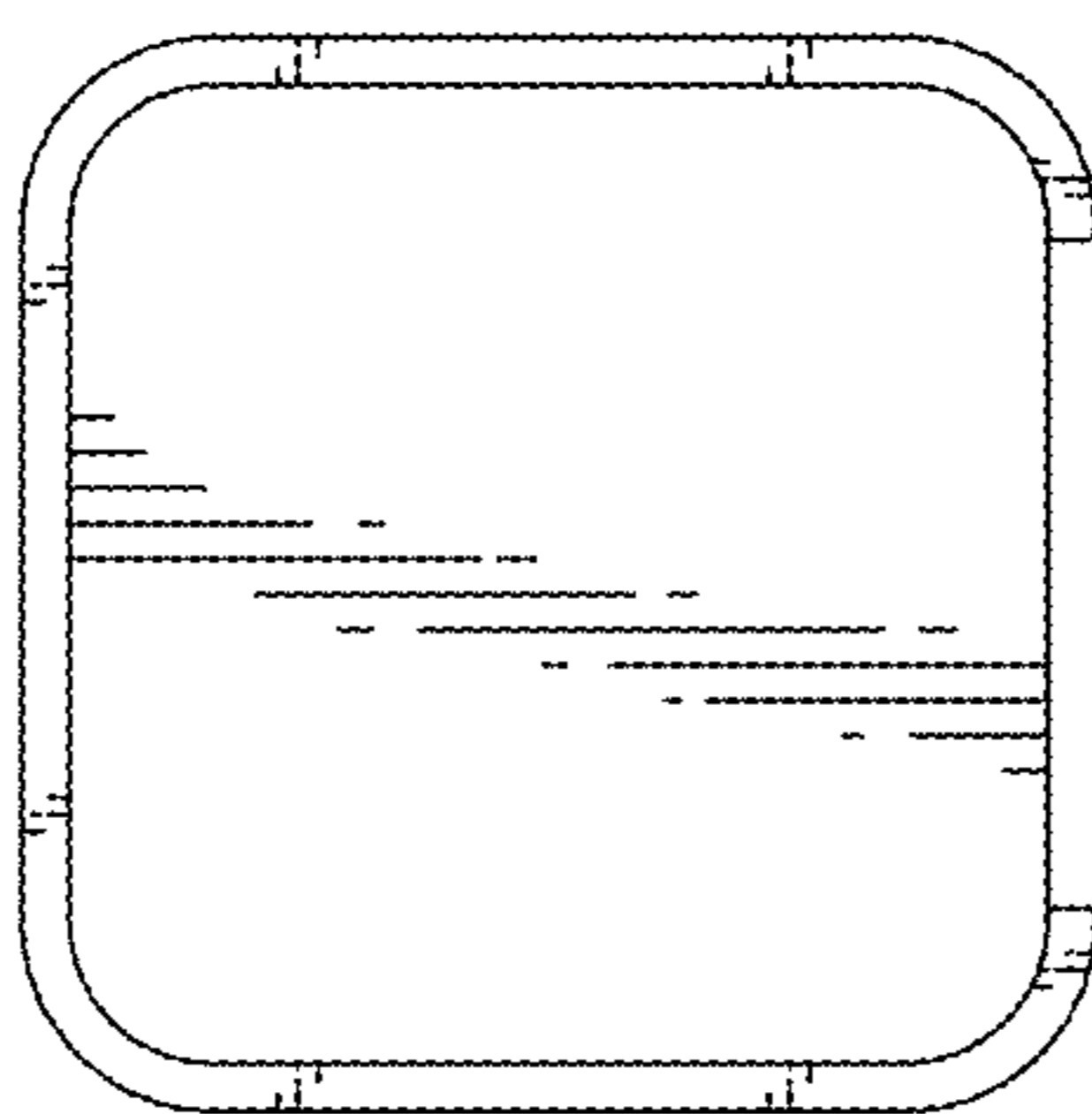


FIG. 4

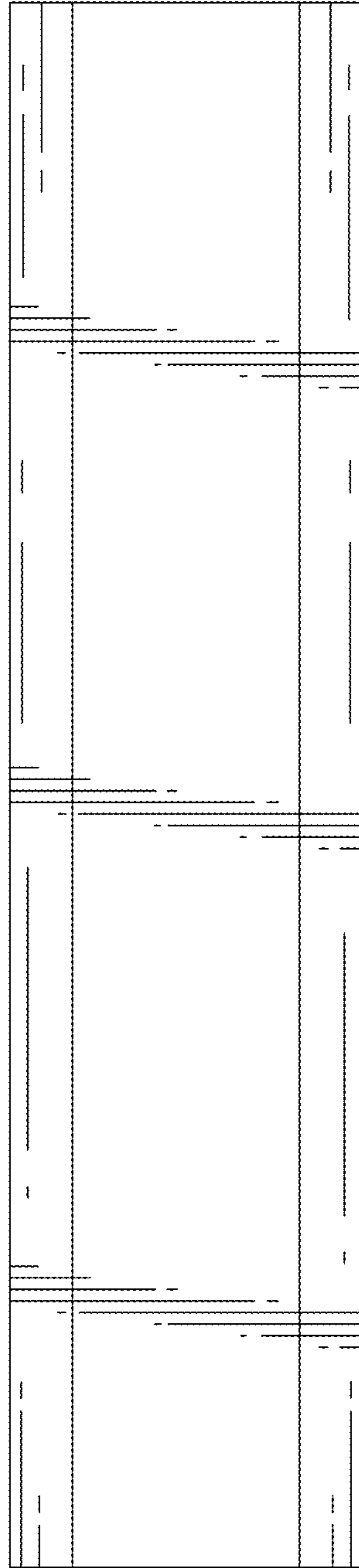


FIG. 6



FIG. 7

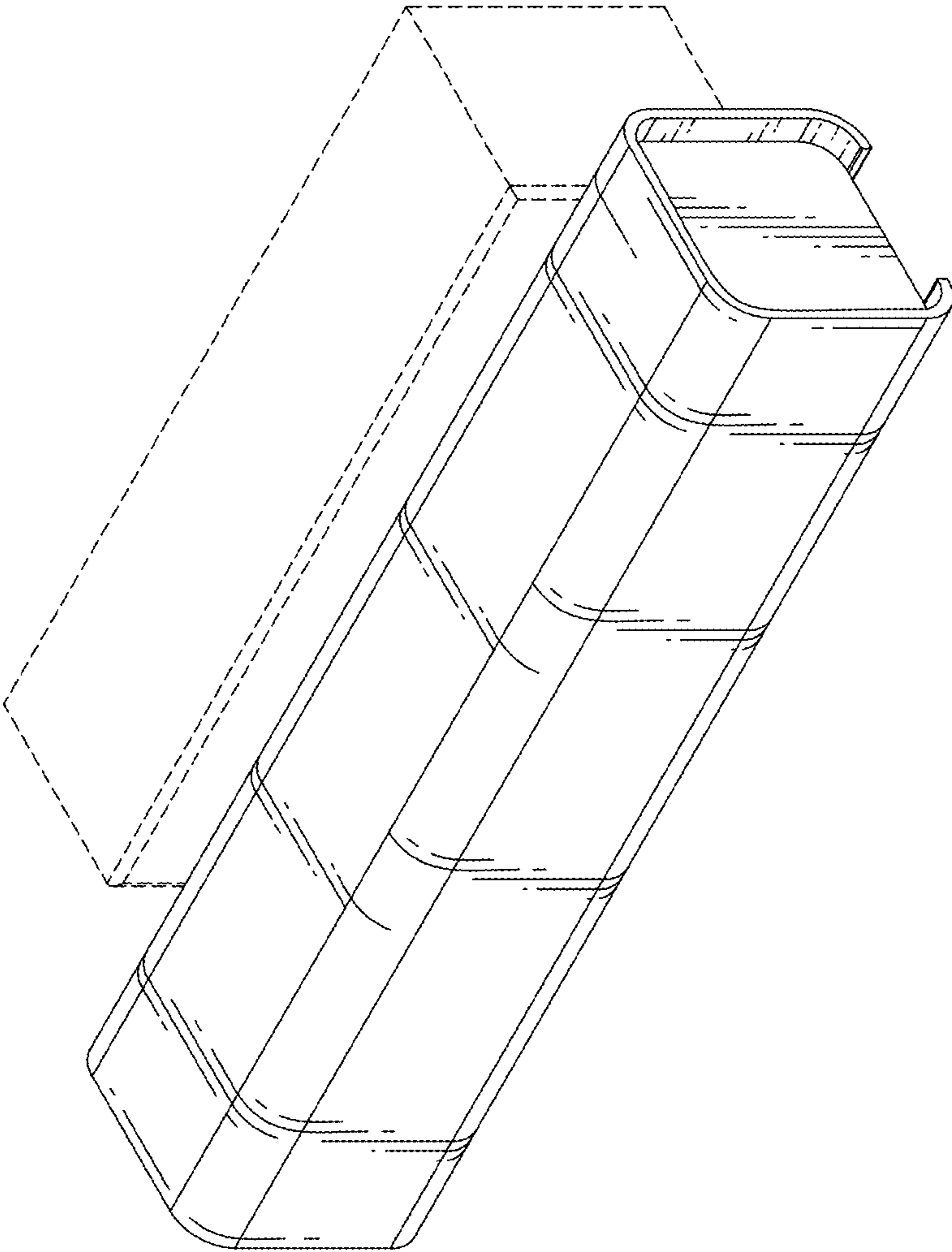


FIG. 8



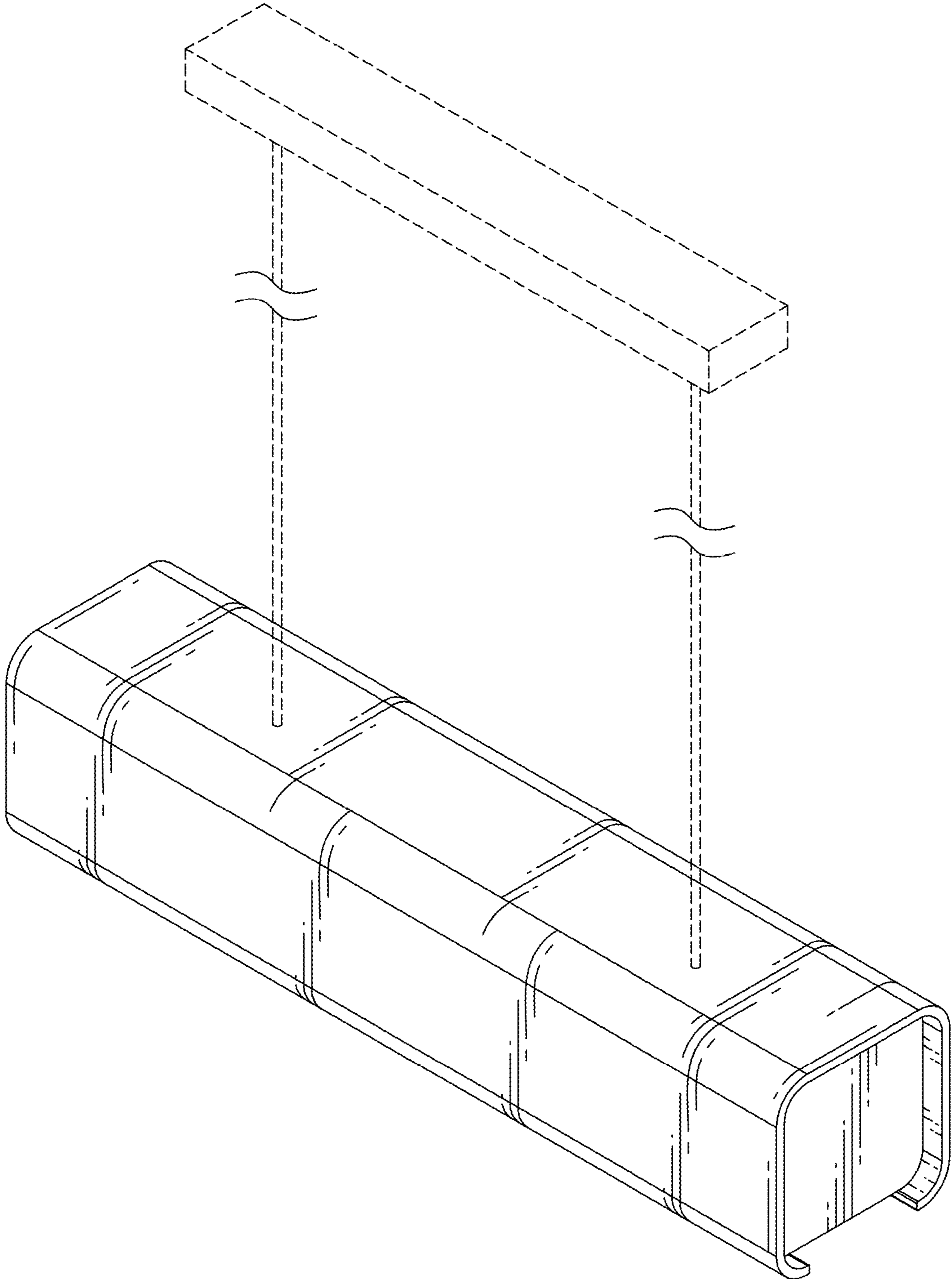


FIG. 9