



US00D774681S

(12) **United States Design Patent**  
**Liang et al.**

(10) **Patent No.:** **US D774,681 S**  
(45) **Date of Patent:** **\*\* Dec. 20, 2016**

(54) **WALL LAMP**

(71) Applicant: **Foxconn Technology Co., Ltd.**, New Taipei (TW)

(72) Inventors: **Zhong-He Liang**, Shenzhen (CN);  
**Qian Xiang**, Foshan (CN)

(73) Assignee: **Foxconn Technology Co., Ltd.**, New Taipei (TW)

(\*\*) Term: **15 Years**

(21) Appl. No.: **29/537,385**

(22) Filed: **Aug. 25, 2015**

(30) **Foreign Application Priority Data**

Aug. 7, 2015 (CN) ..... 2015 3 0296003

(51) **LOC (10) Cl.** ..... **26-03**

(52) **U.S. Cl.**  
USPC ..... **D26/85; D26/72**

(58) **Field of Classification Search**  
USPC .... D26/72, 76, 77, 78, 80, 85, 89, 142, 121,  
D26/122  
CPC ..... F21S 8/03; F21S 8/031; F21S 8/033;  
F21S 8/036; F21S 9/03; F21S  
9/037; F21V 21/025; F21V 17/08; F21V  
17/10

See application file for complete search history.

(56) **References Cited**

**U.S. PATENT DOCUMENTS**

2,732,484 A \* 1/1956 Lipscomb ..... F21S 8/033  
362/218  
D189,256 S \* 11/1960 Rothman ..... D26/76  
D191,762 S \* 11/1961 Rothman ..... D26/76

D577,146 S \* 9/2008 Haugaard ..... D26/118  
D641,100 S \* 7/2011 Li ..... D26/118  
D653,377 S \* 1/2012 Guercio ..... D26/85  
D681,864 S \* 5/2013 Guercio ..... D26/85  
D691,320 S \* 10/2013 Guercio ..... D26/118  
8,960,971 B1 \* 2/2015 Newton ..... F21V 21/30  
362/217.16  
D739,068 S \* 9/2015 Bryant ..... D26/82  
D753,864 S \* 4/2016 Dungan ..... D26/85  
9,404,628 B2 \* 8/2016 Newton ..... F21S 8/036  
2008/0043467 A1 \* 2/2008 Wilcox ..... F21S 8/033  
362/247  
2012/0268952 A1 \* 10/2012 Newton ..... B23P 11/00  
362/368  
2015/0292723 A1 \* 10/2015 Yu ..... F21V 29/76  
362/147  
2015/0308667 A1 \* 10/2015 Corkill ..... F21S 8/033  
362/147

\* cited by examiner

*Primary Examiner* — Clare E Hefflin

(74) *Attorney, Agent, or Firm* — Zhigang Ma

(57) **CLAIM**

The ornamental design for a wall lamp, as shown and described.

**DESCRIPTION**

FIG. 1 is a perspective view of a wall lamp showing our new design;

FIG. 2 is a front elevation view thereof;

FIG. 3 is a rear elevation view thereof;

FIG. 4 is a left-side elevation view thereof;

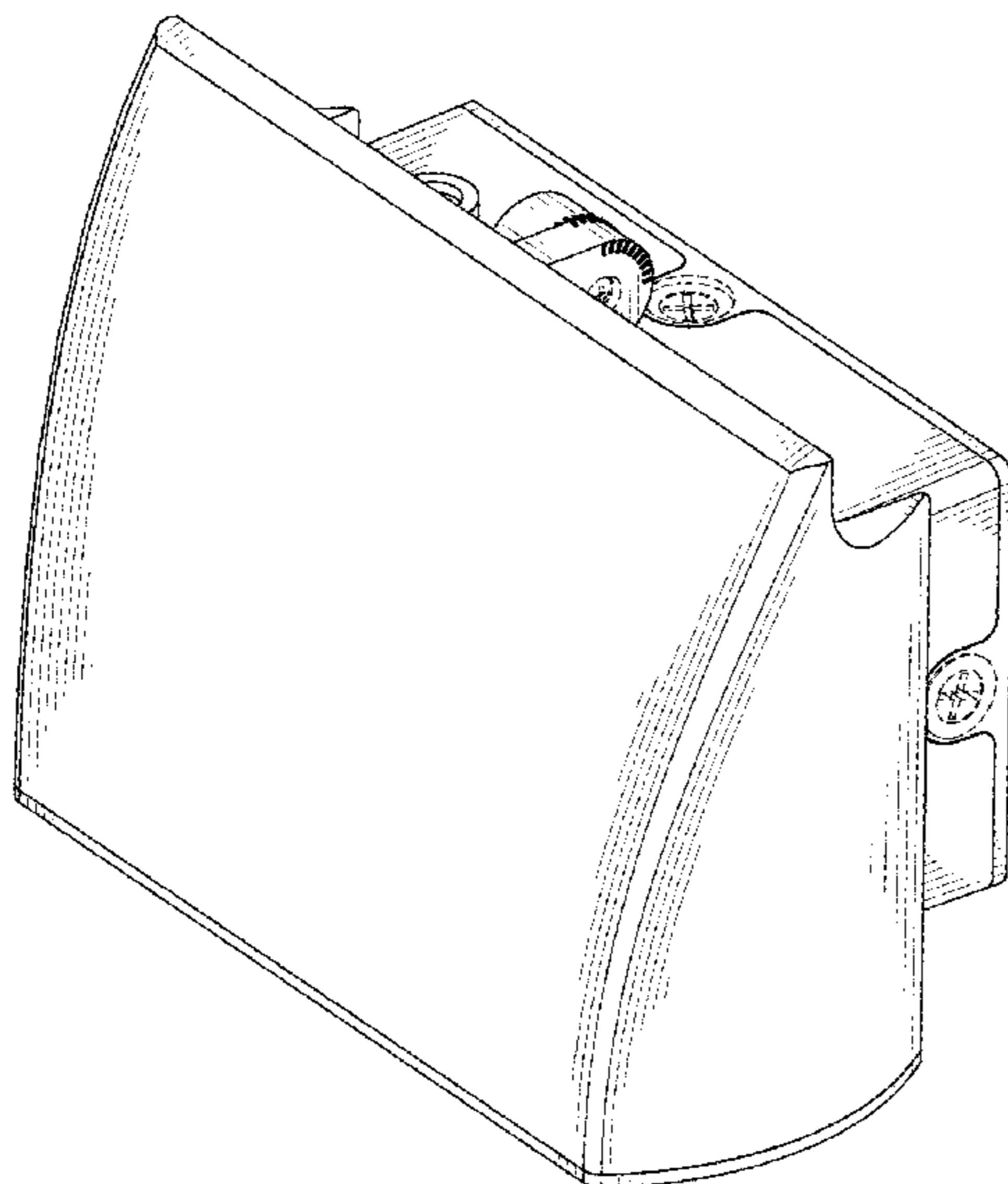
FIG. 5 is a right-side elevation view thereof;

FIG. 6 is a top plan view thereof; and,

FIG. 7 is a bottom plan view thereof.

Broken lines are used to illustrate unclaimed portions of the wall lamp; broken lines form no part of the claimed design.

**1 Claim, 7 Drawing Sheets**



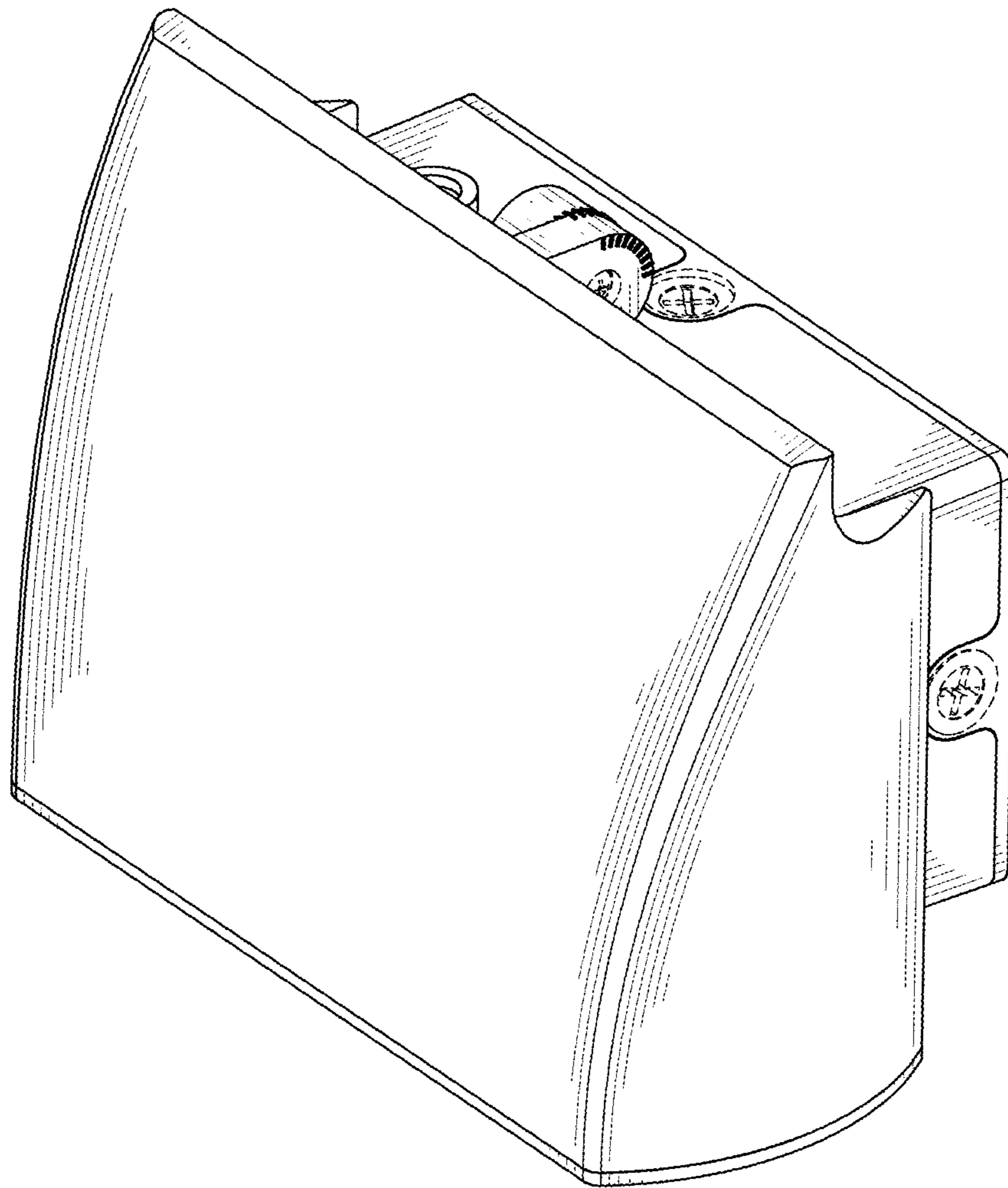


FIG. 1

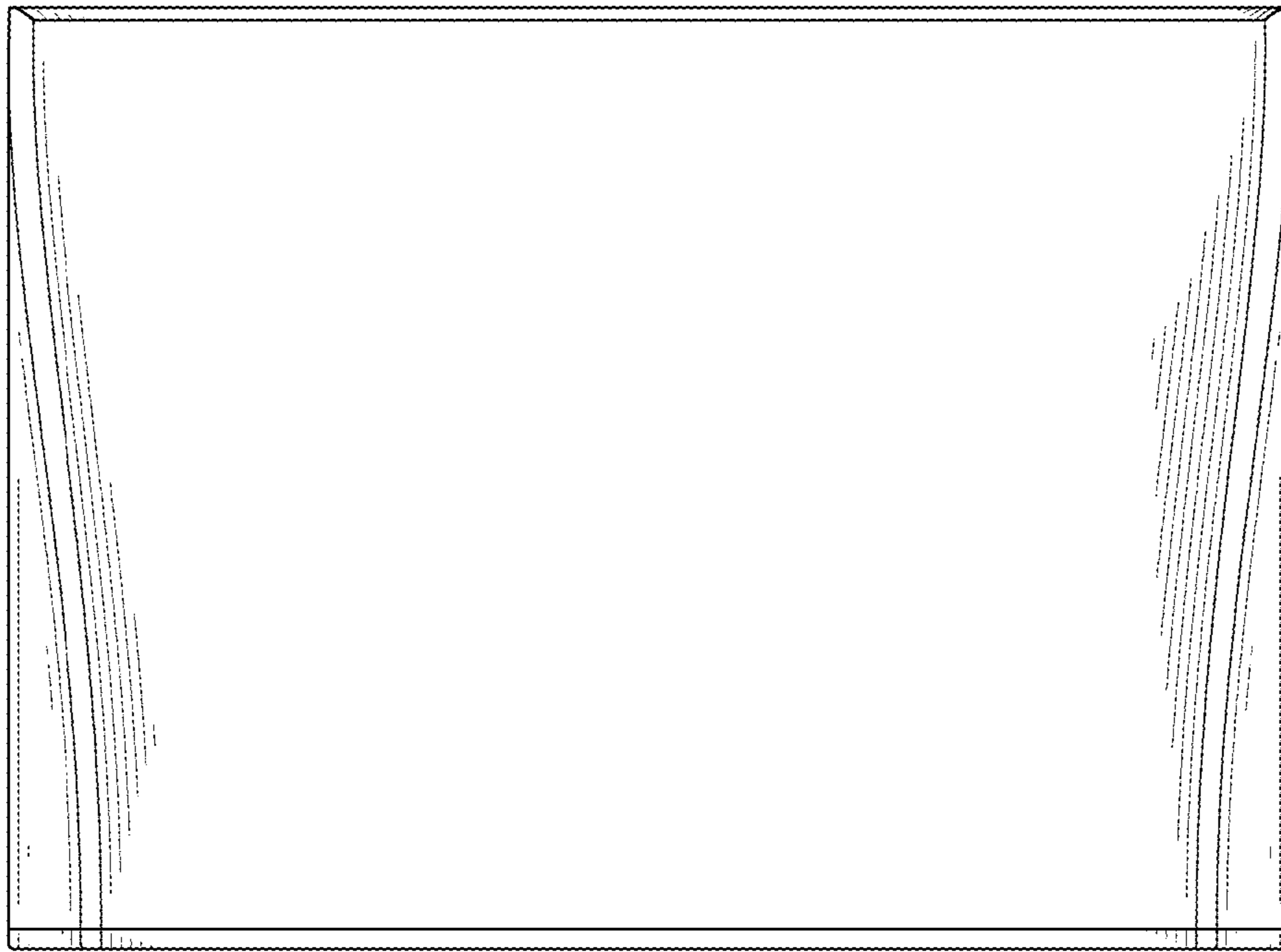


FIG. 2

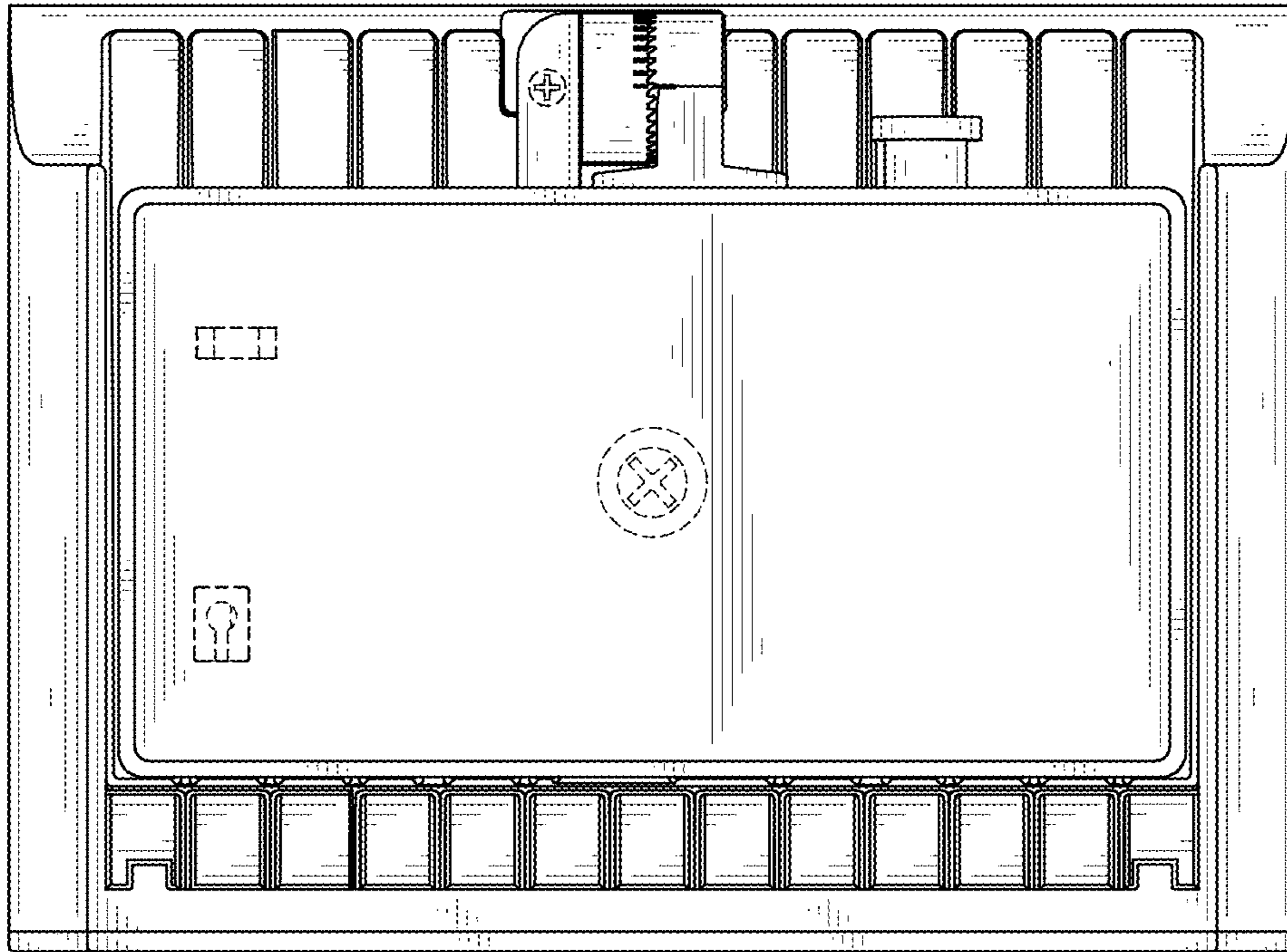


FIG. 3

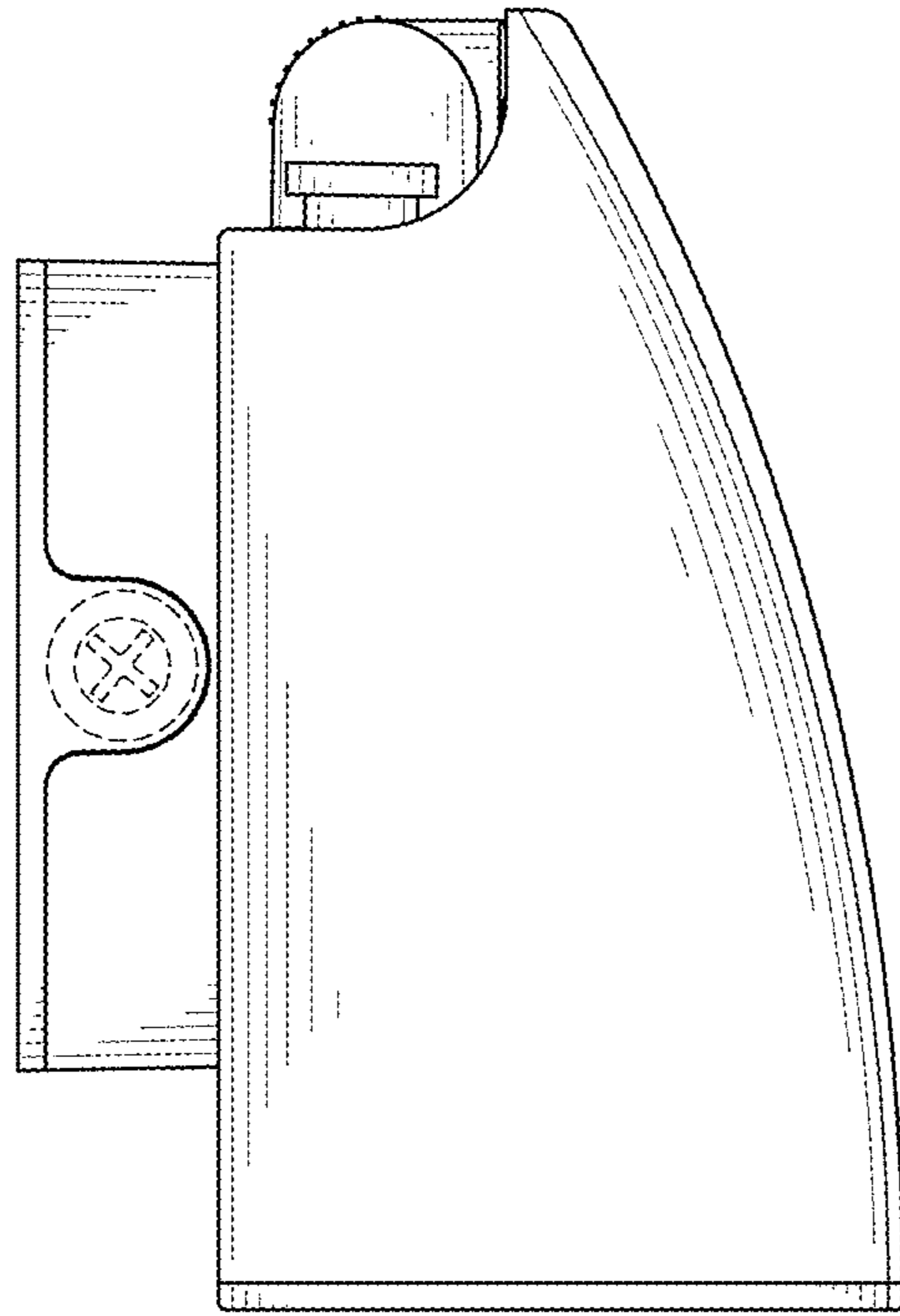


FIG. 4

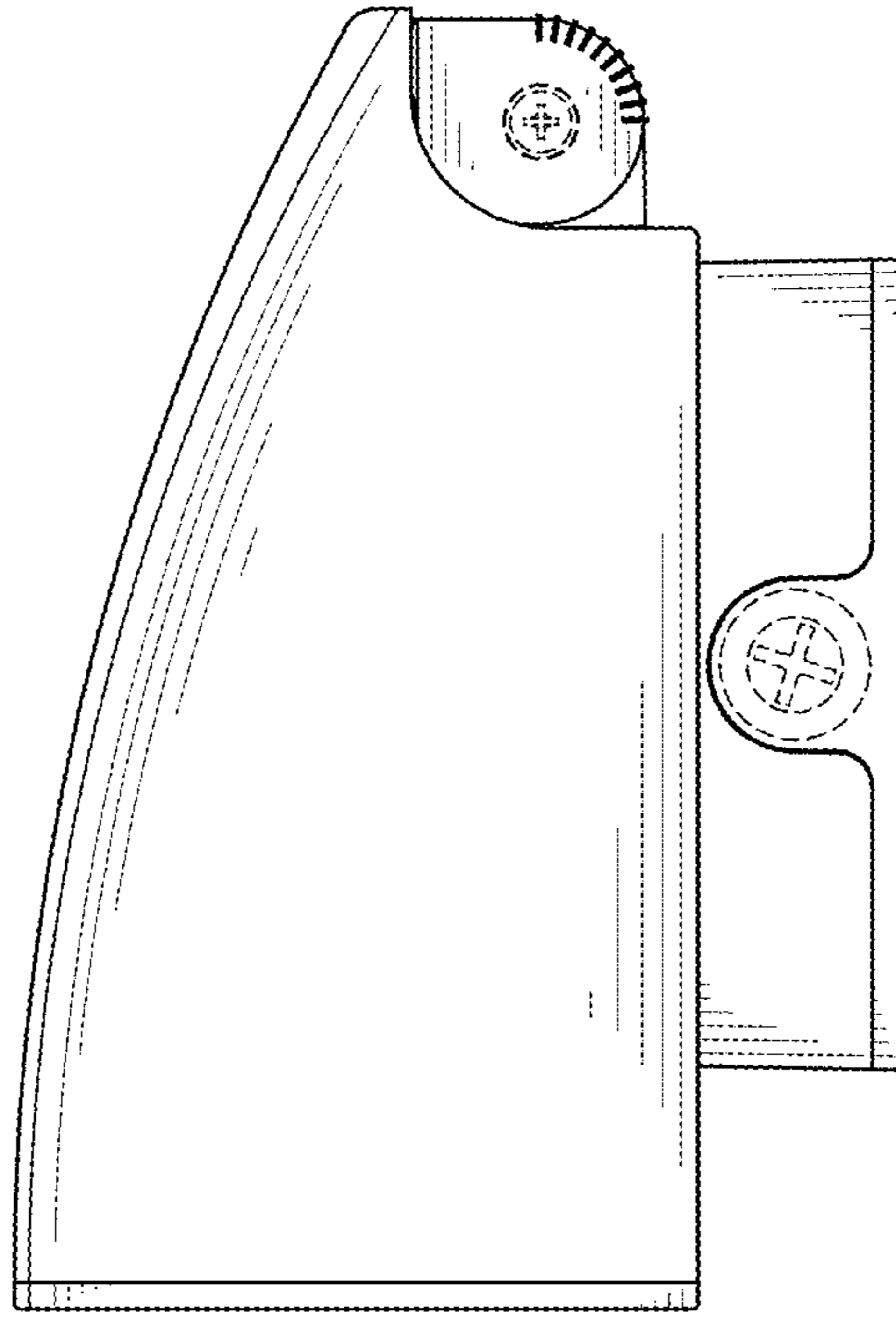


FIG. 5

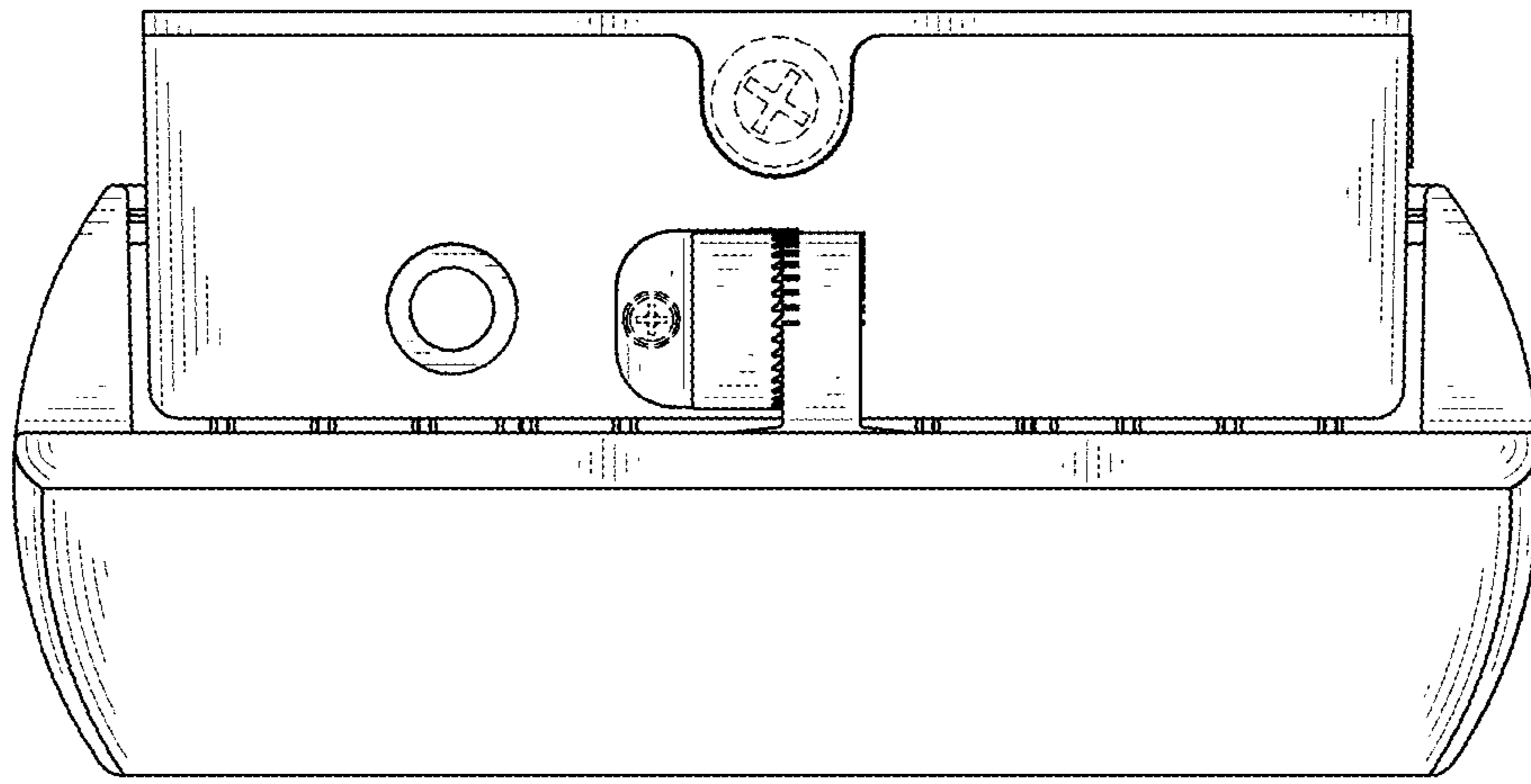


FIG. 6

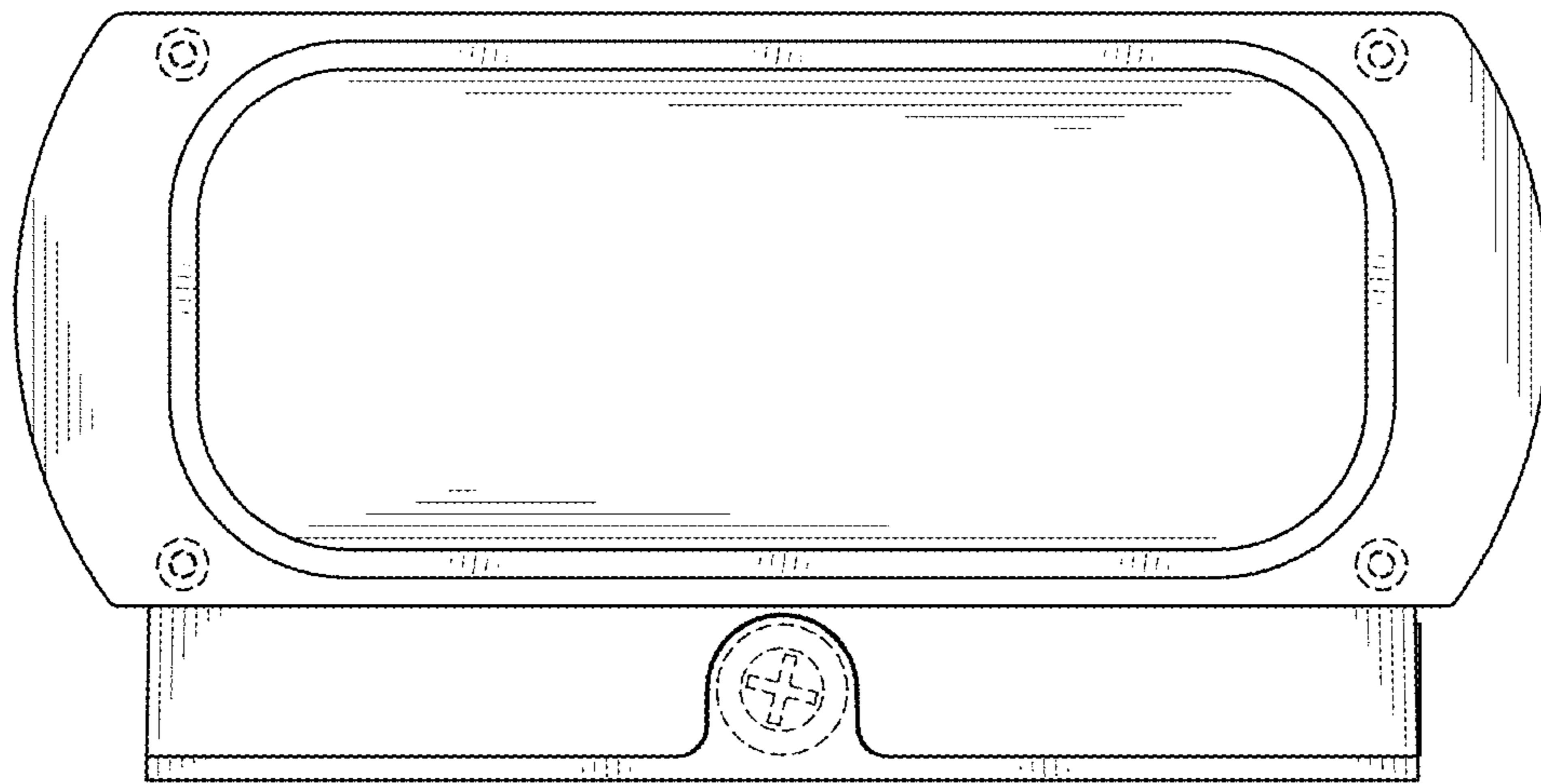


FIG. 7