



US00D774679S

(12) **United States Design Patent**
Huyghe

(10) **Patent No.:** **US D774,679 S**

(45) **Date of Patent:** **** Dec. 20, 2016**

(54) **LED FIXTURE**

(71) Applicant: **KONINKLIJKE PHILIPS N.V.**,
Eindhoven (NL)

(72) Inventor: **Jeffrey Huyghe**, Melle (BE)

(73) Assignee: **Koninklijke Philips N.V.**, Eindhoven
(NL)

(**) Term: **15 Years**

(21) Appl. No.: **29/537,207**

(22) Filed: **Aug. 24, 2015**

(30) **Foreign Application Priority Data**

Feb. 28, 2015 (EM) 002643569-0001

(51) **LOC (10) Cl.** **26-03**

(52) **U.S. Cl.**
USPC **D26/80**

(58) **Field of Classification Search**
USPC D26/72, 76, 77, 78, 80, 85, 89, 142,
121,D26/122

CPC F21S 8/03; F21S 8/031; F21S 8/033;
F21S 8/036; F21S 9/03; F21S
9/037; F21V 21/025; F21V 17/08; F21V
17/10

See application file for complete search history.

(56) **References Cited**

U.S. PATENT DOCUMENTS

D232,257 S * 7/1974 Paulson D26/75
D239,780 S * 5/1976 Paulson D26/102

D593,246 S *	5/2009	Fowler, Jr.	D26/76
D604,000 S *	11/2009	Fowler, Jr.	D26/76
D608,929 S *	1/2010	Castelli	D26/76
D608,932 S *	1/2010	Castelli	D26/76
D609,385 S *	2/2010	Castelli	D26/76
D627,914 S *	11/2010	Couture	D26/76
D629,554 S *	12/2010	Gielen	D26/76
D654,612 S *	2/2012	Ng	D26/80
D655,031 S *	2/2012	Ng	D26/80
D679,439 S *	4/2013	Lai	D26/75
D690,452 S *	9/2013	Payne	D26/80
D756,553 S *	5/2016	Kim	D26/76
2011/0310625 A1 *	12/2011	Mayfield, III	F21V 17/04 362/375
2011/0317421 A1 *	12/2011	So	F21S 2/00 362/249.02
2012/0162974 A1 *	6/2012	Yu	F21V 15/013 362/218
2015/0070883 A1 *	3/2015	Clark	F21S 2/005 362/219

* cited by examiner

Primary Examiner — Clare E Heflin

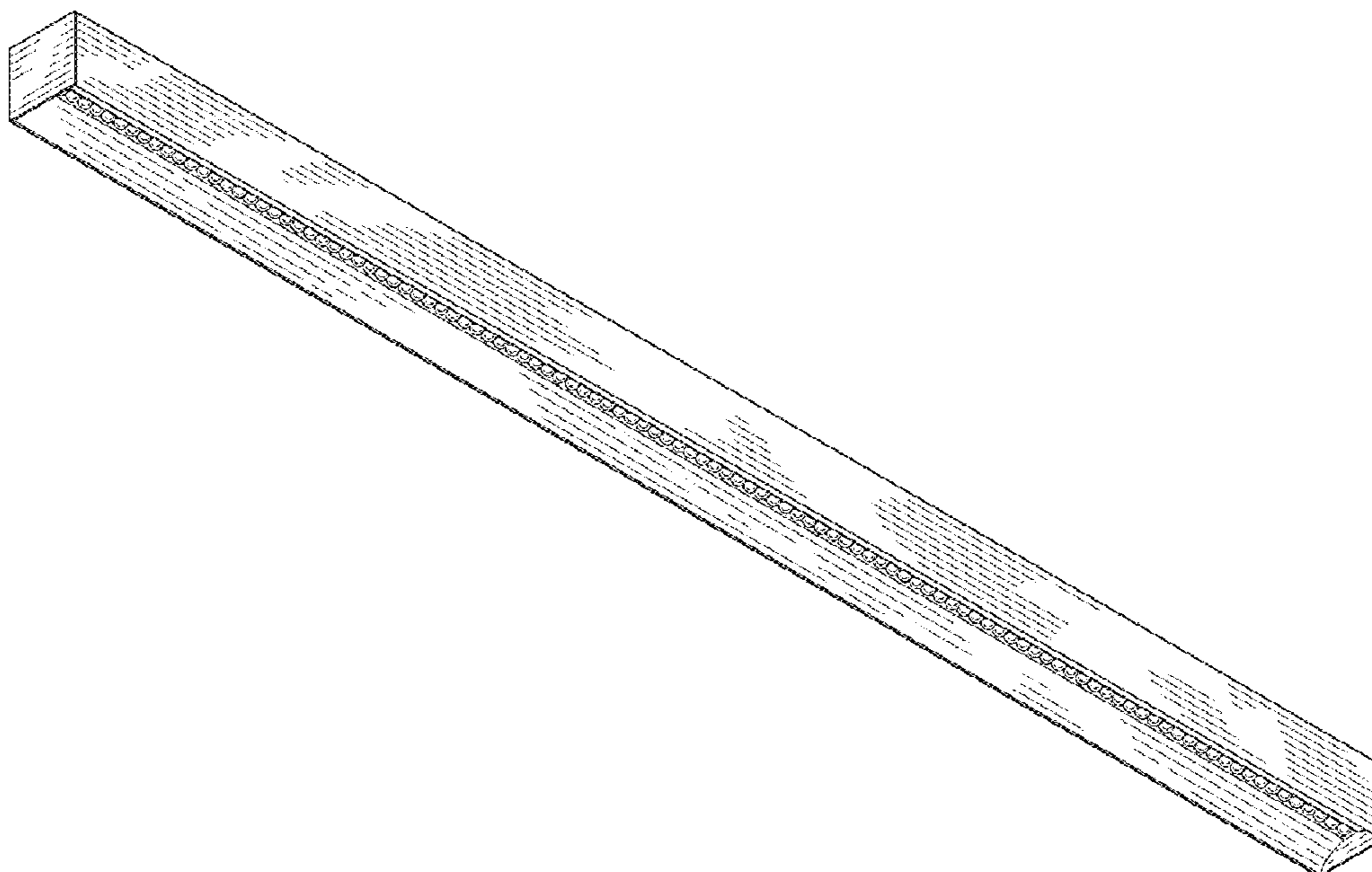
(57) **CLAIM**

The ornamental design for a LED fixture, as shown.

DESCRIPTION

FIG. 1 is a perspective view showing my design;
FIG. 2 is a front elevational view thereof;
FIG. 3 is a rear elevational view thereof;
FIG. 4 is a right side elevational view thereof;
FIG. 5 is a left side elevational view thereof;
FIG. 6 is a top plan view thereof; and,
FIG. 7 is a bottom plan view thereof.

1 Claim, 3 Drawing Sheets



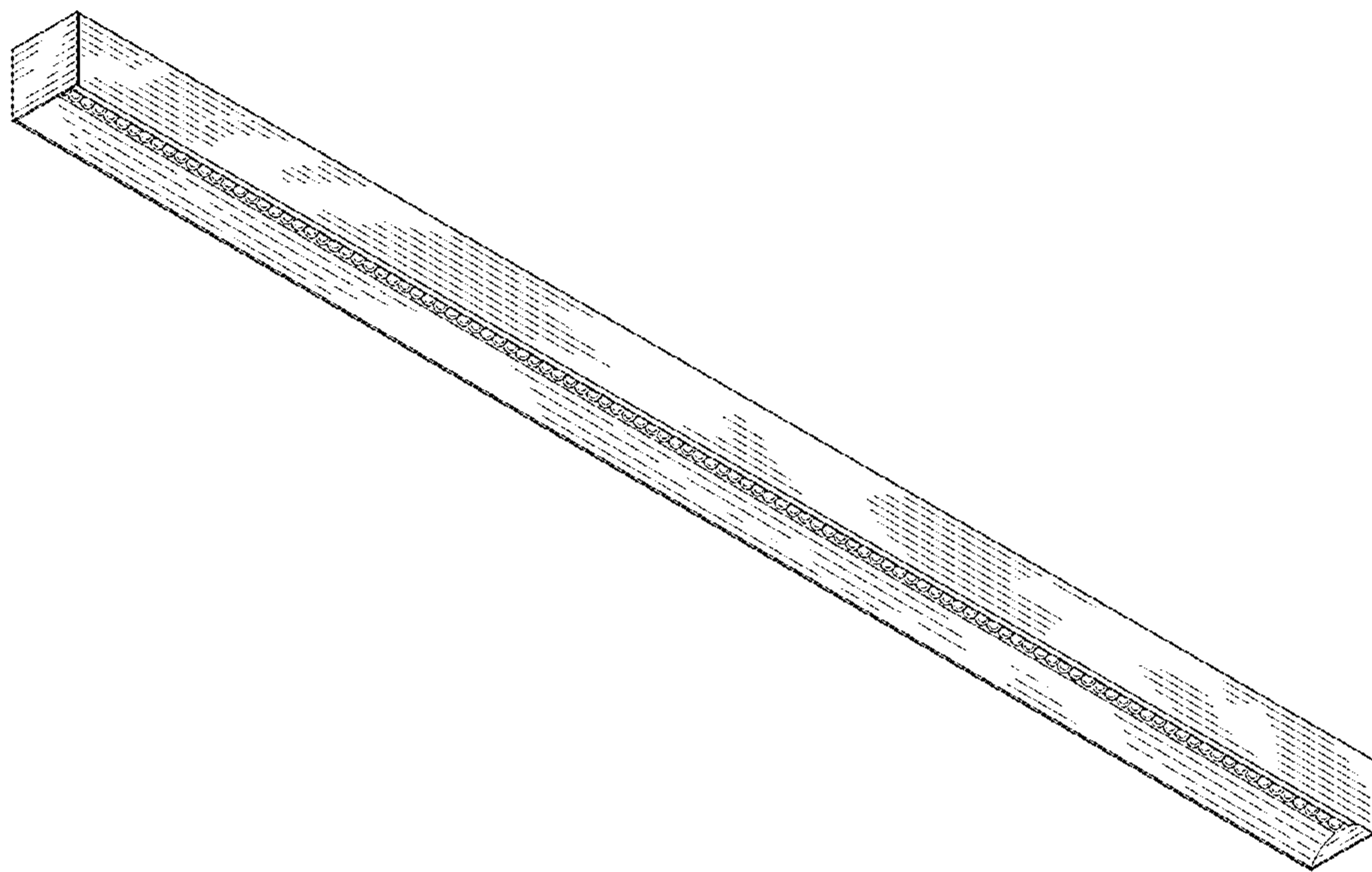


FIG. 1



FIG. 2

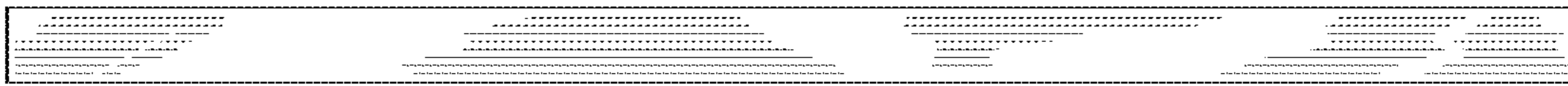


FIG. 3



FIG. 4



FIG. 5

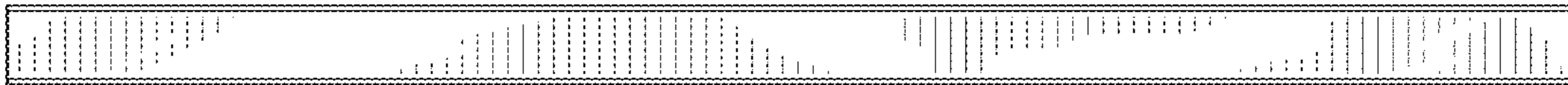


FIG. 6

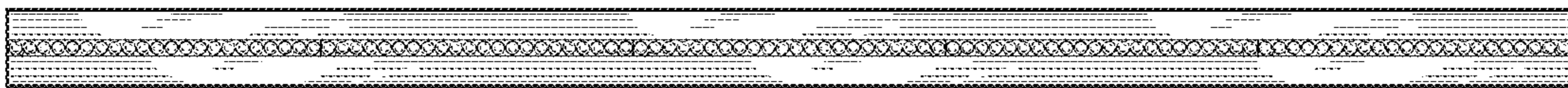


FIG. 7