



US00D774676S

(12) **United States Design Patent**  
**Ng**

(10) **Patent No.:** **US D774,676 S**

(45) **Date of Patent:** **\*\* Dec. 20, 2016**

(54) **LAMP**

(71) Applicant: **Edmund Ng**, Monrovia, CA (US)

(72) Inventor: **Edmund Ng**, Monrovia, CA (US)

(73) Assignee: **KONCEPT TECHNOLOGIES, INC.**,  
Monrovia, CA (US)

(\*\*) Term: **14 Years**

(21) Appl. No.: **29/524,110**

(22) Filed: **Apr. 16, 2015**

(51) **LOC (10) Cl.** ..... **26-03**

(52) **U.S. Cl.**  
USPC ..... **D26/65**

(58) **Field of Classification Search**  
USPC ..... D26/24, 61, 63, 65, 93, 107, 72  
CPC ..... F21Y 2101/02; F21S 6/003; F21V 21/26;  
F21V 21/30  
See application file for complete search history.

(56) **References Cited**

**U.S. PATENT DOCUMENTS**

D571,032 S \* 6/2008 Chen ..... D26/61  
D615,681 S \* 5/2010 Thomson ..... D26/63

D662,641 S \* 6/2012 Levine ..... D26/65  
D710,527 S \* 8/2014 Brown ..... D26/63  
D762,901 S \* 8/2016 Boissevain ..... D26/63

\* cited by examiner

*Primary Examiner* — Brian N Vinson

(74) *Attorney, Agent, or Firm* — Steins & Associates, P.C.

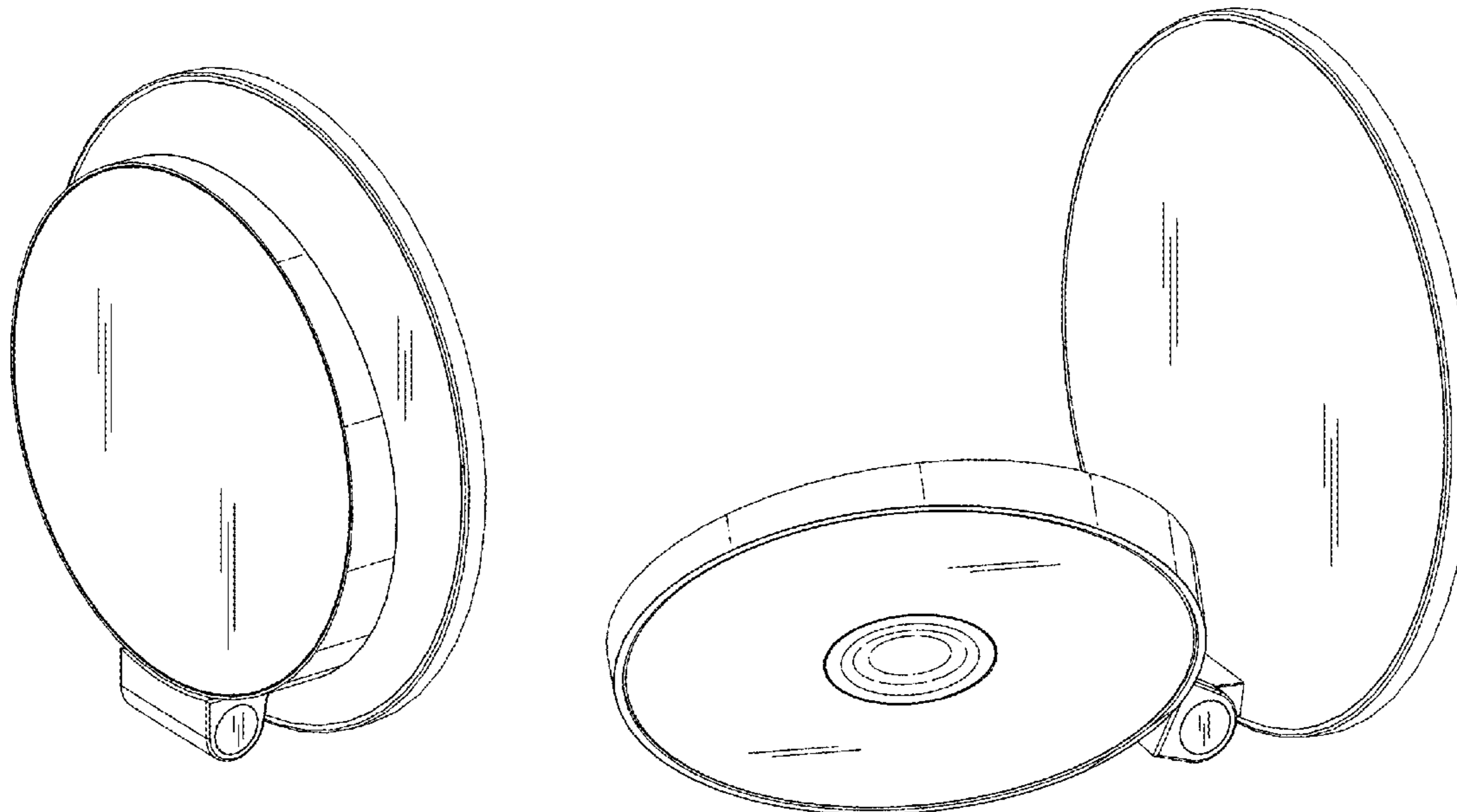
(57) **CLAIM**

The ornamental design for a lamp, as shown and described.

**DESCRIPTION**

FIG. 1 is a left perspective view of the lamp with the light portion facing the base;  
FIG. 2 is a front view thereof;  
FIG. 3 is a back view thereof;  
FIG. 4 is a left side view thereof;  
FIG. 5 is a right side view thereof;  
FIG. 6 is a top view thereof;  
FIG. 7 is a bottom view thereof;  
FIG. 8 is a left perspective view of the lamp with the light module pivoted away from the base;  
FIG. 9 is a left perspective view of the lamp with the light module pivoted in two directions relative to the base; and,  
FIG. 10 is a left perspective view of the lamp with the light portion facing away from the base.

**1 Claim, 10 Drawing Sheets**



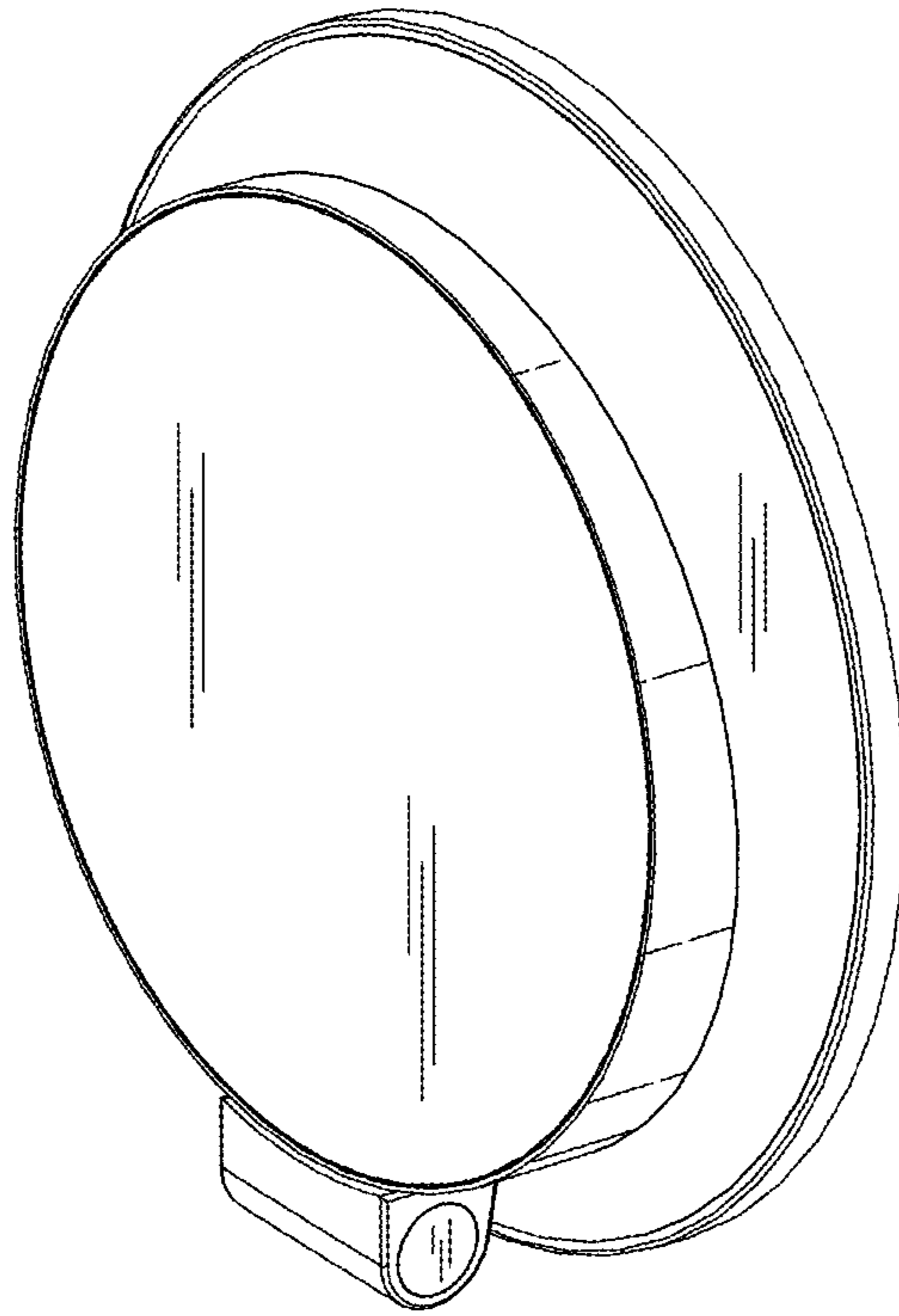


FIG. 1

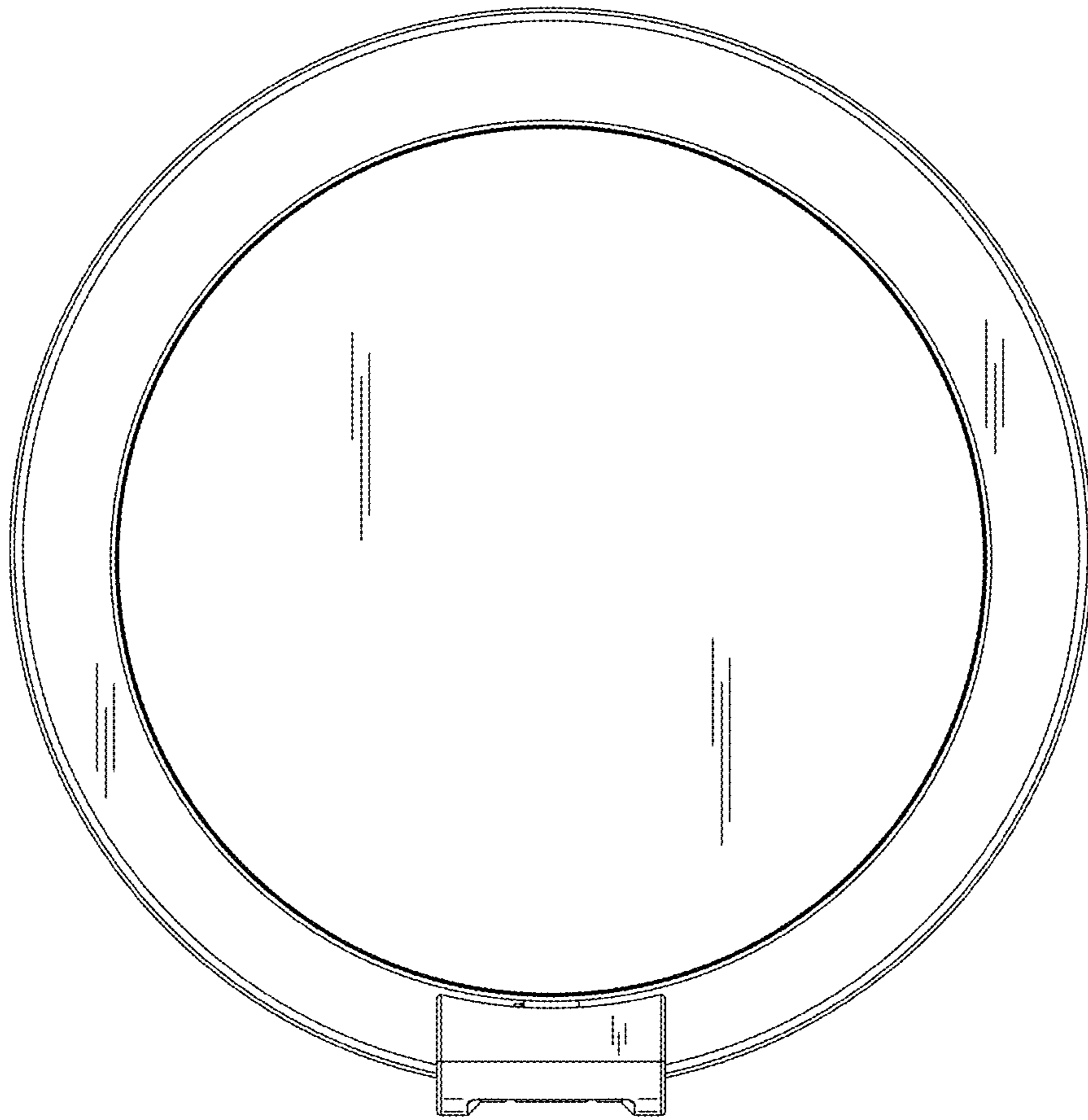


FIG. 2

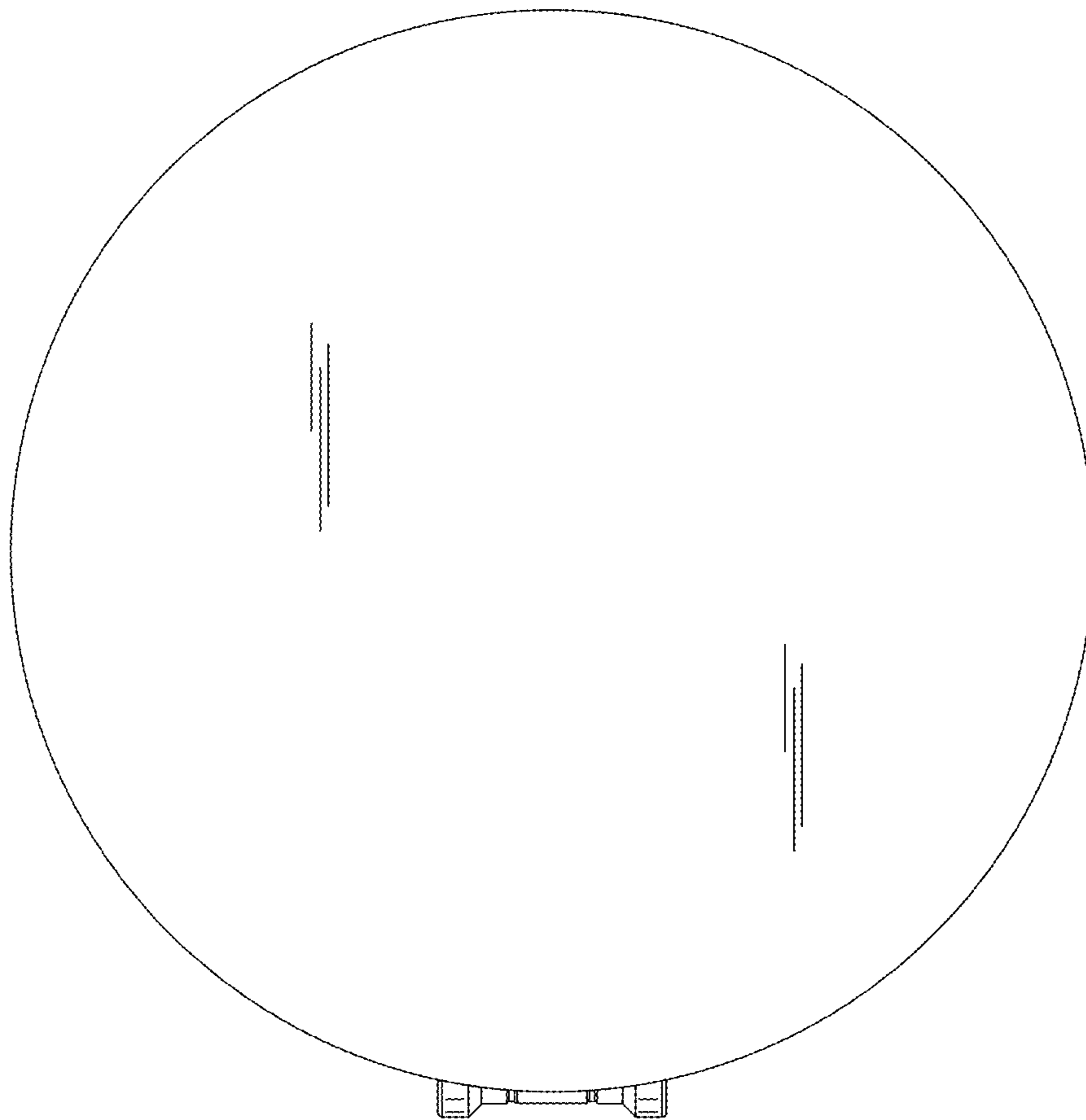


FIG. 3

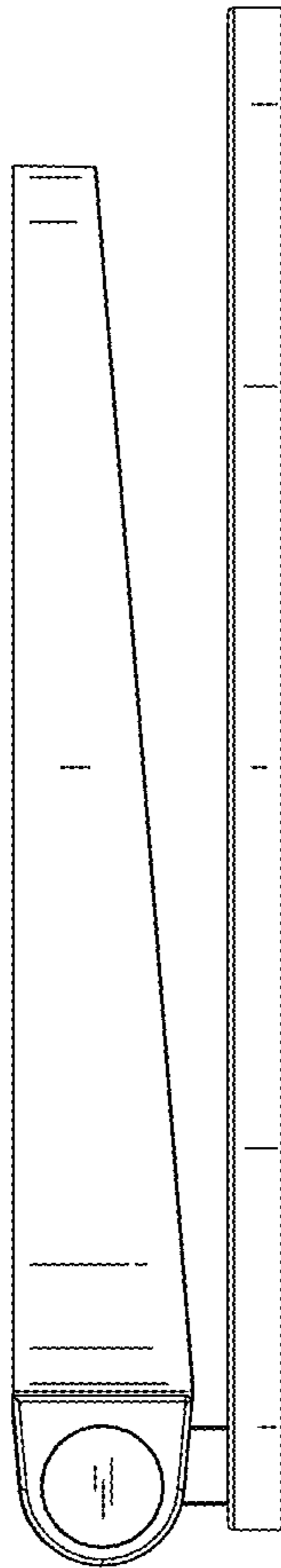


FIG. 4

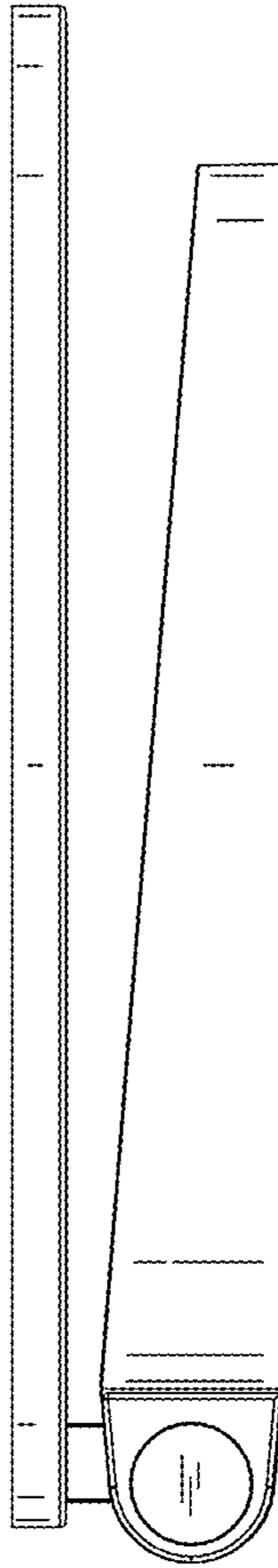


FIG. 5

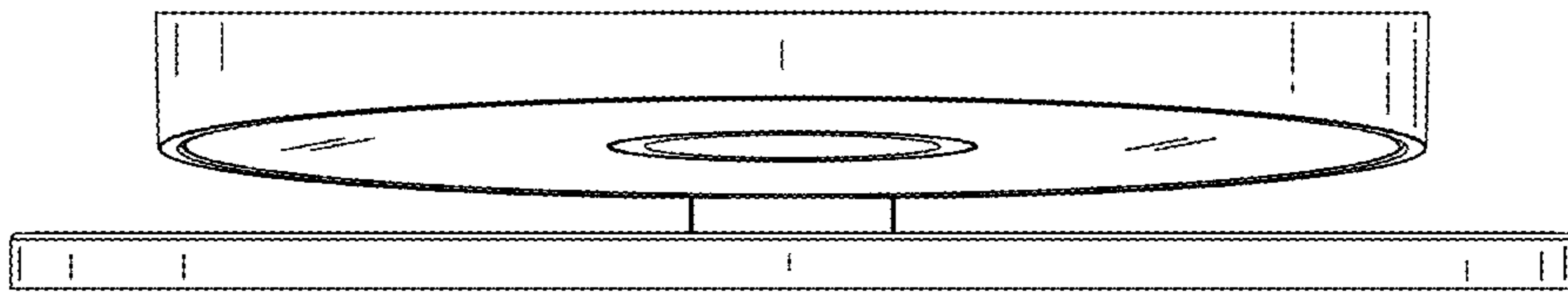


FIG. 6

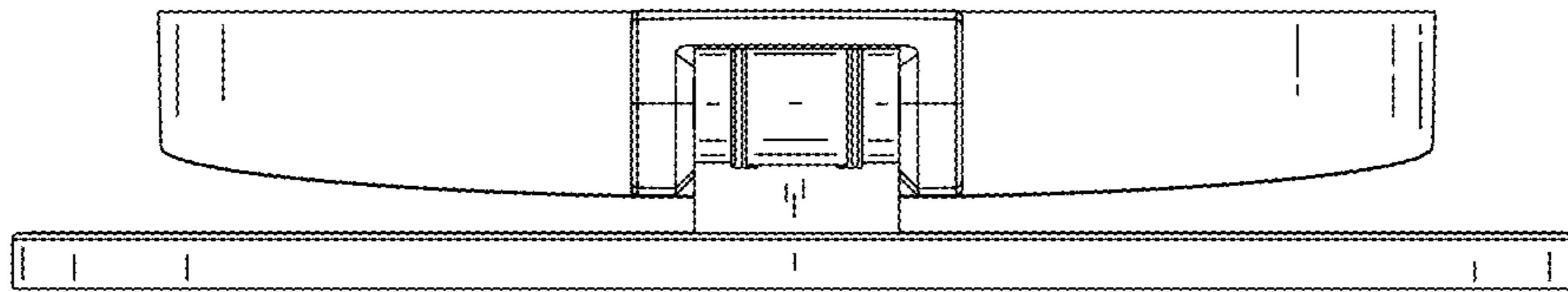


FIG. 7



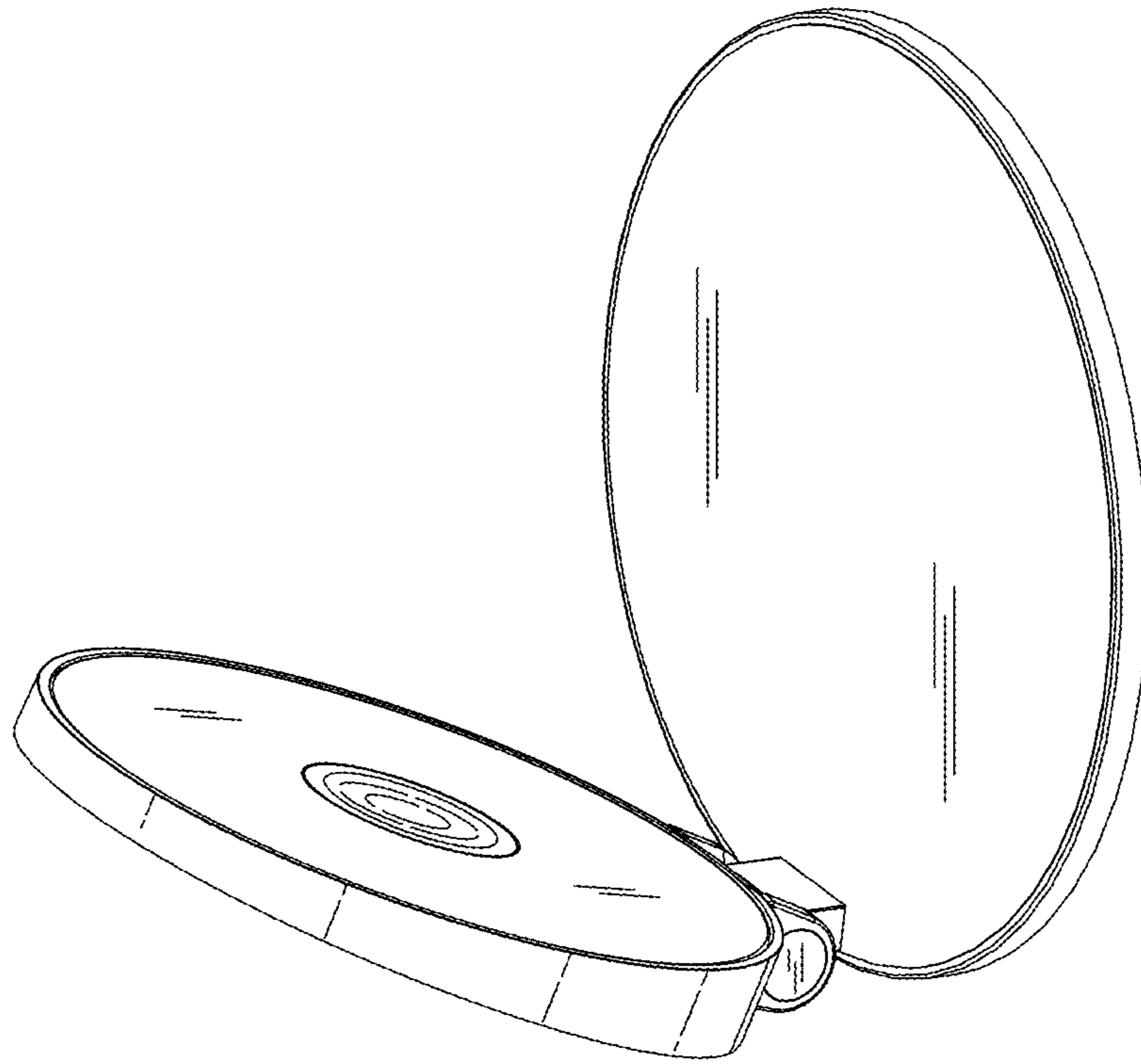


FIG. 8

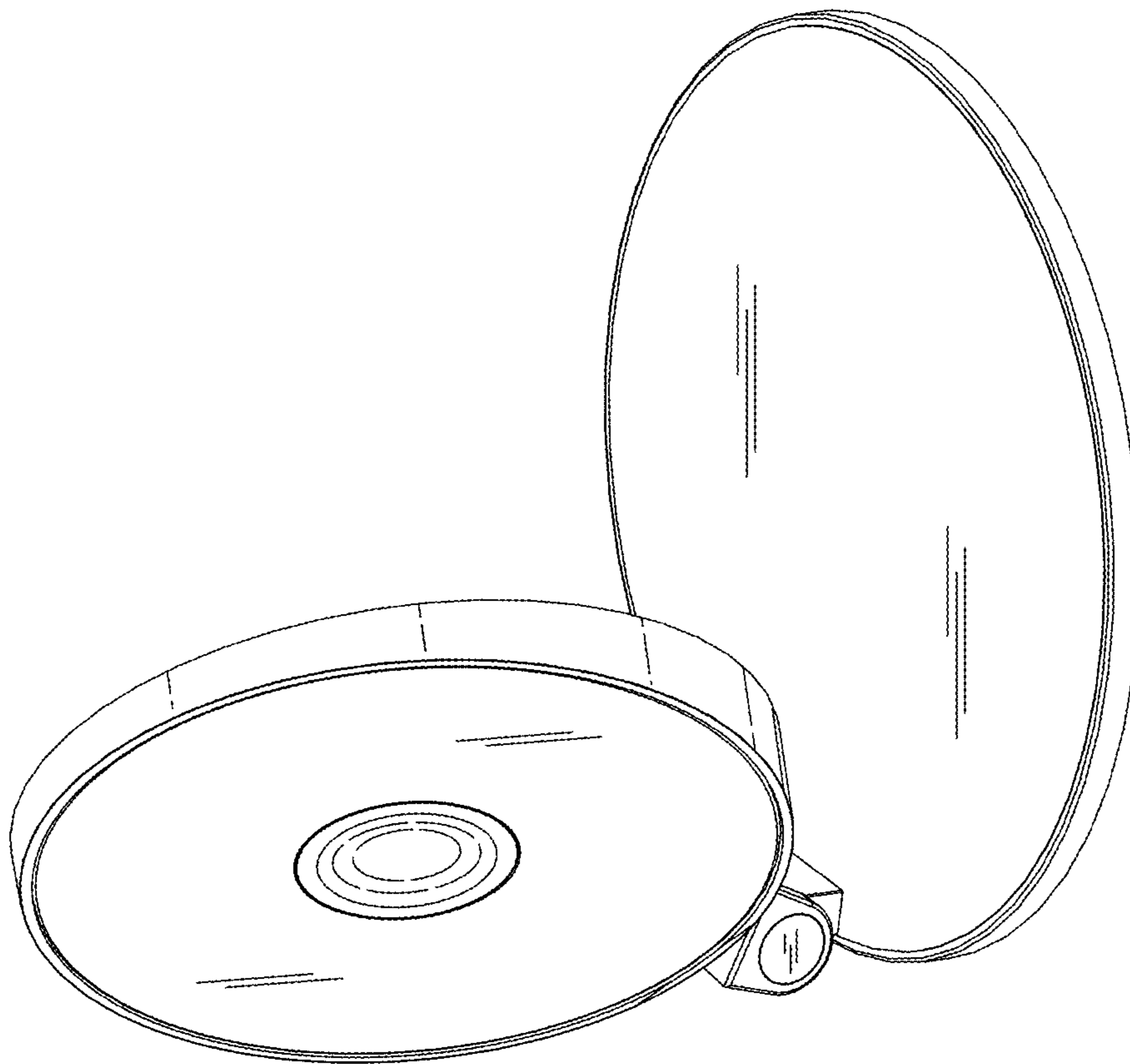


FIG. 9

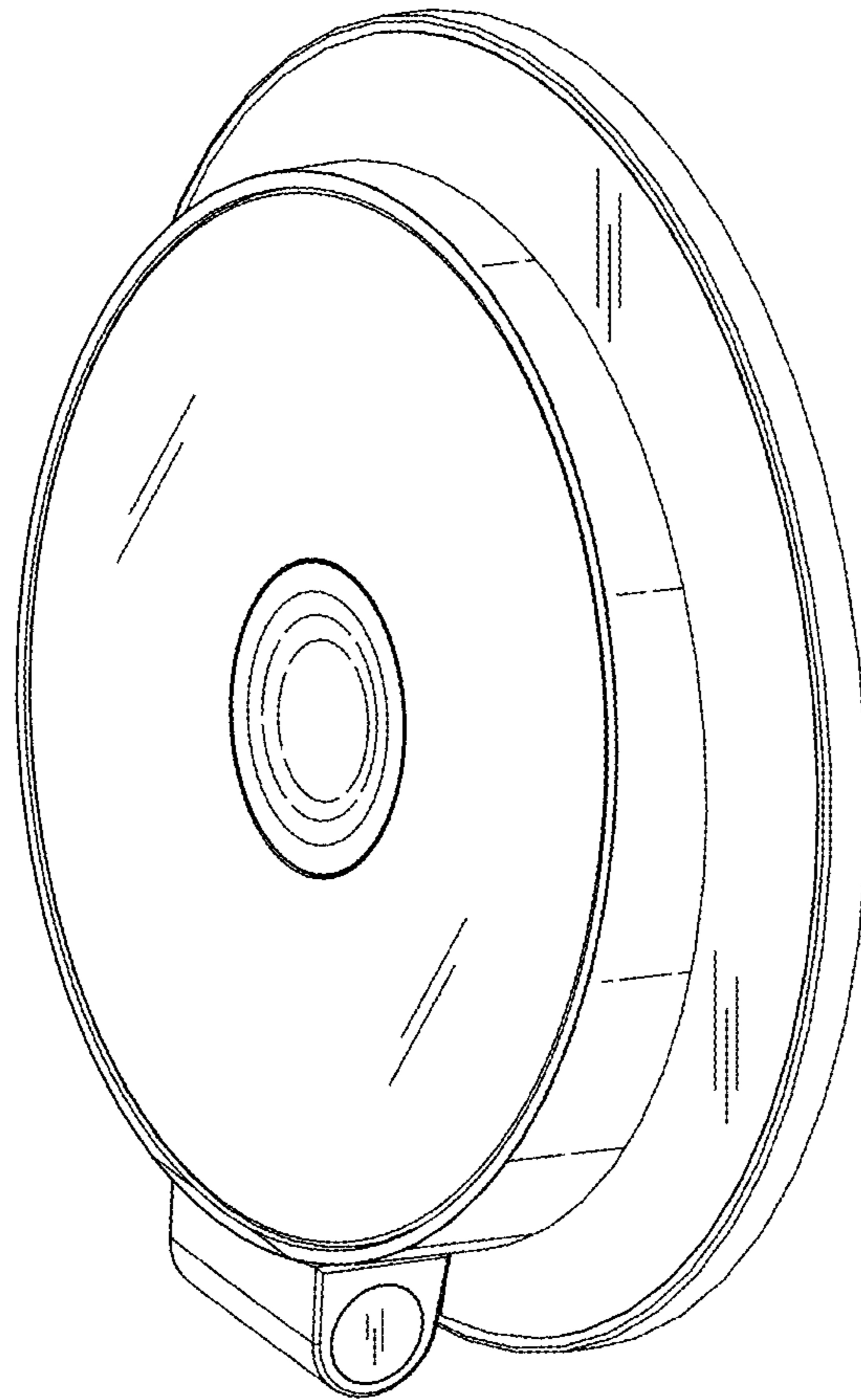


FIG. 10