



US00D774675S

(12) **United States Design Patent**  
**Hong et al.**

(10) **Patent No.:** **US D774,675 S**  
(45) **Date of Patent:** **\*\* Dec. 20, 2016**

- (54) **LIGHT EMITTING DIODE LAMP**
- (71) Applicant: **Foxconn Technology Co., Ltd.**, New Taipei (TW)
- (72) Inventors: **Yun Hong**, Foshan (CN); **Qian Xiang**, Foshan (CN)
- (73) Assignee: **Foxconn Technology Co., Ltd.**, New Taipei (TW)
- (\*\*) Term: **15 Years**
- (21) Appl. No.: **29/538,996**
- (22) Filed: **Sep. 10, 2015**
- (30) **Foreign Application Priority Data**

Aug. 21, 2015 (CN) ..... 2015 3 0316861

- (51) **LOC (10) Cl.** ..... **26-03**
- (52) **U.S. Cl.**  
USPC ..... **D26/63**
- (58) **Field of Classification Search**  
USPC ..... D26/1, 24, 61, 63, 65, 85, 92  
CPC ..... F21V 21/14; F21V 15/01; F21V 14/02;  
F21V 21/30; F21V 21/00; F21V 14/00; F21S 8/00; F21S 8/003; F21S 8/043; F21Y 2105/001  
See application file for complete search history.

(56) **References Cited**

**U.S. PATENT DOCUMENTS**

D239,315 S \* 3/1976 Satoh et al. .... D26/63

D550,878 S *	9/2007	Korpi .....	D26/63
D752,267 S *	3/2016	Wang .....	D26/63
D761,989 S *	7/2016	Dickinson .....	D26/63

\* cited by examiner

*Primary Examiner* — Brian N Vinson

(74) *Attorney, Agent, or Firm* — Zhigang Ma

(57) **CLAIM**

The ornamental design for a light emitting diode lamp, as shown.

**DESCRIPTION**

FIG. 1 is a top, perspective view of a light emitting diode lamp showing our new design.

FIG. 2 is a bottom, perspective view thereof.

FIG. 3 is a front elevational view thereof.

FIG. 4 is a rear elevational view thereof.

FIG. 5 is an enlarged view taken from the area V of FIG. 4.

FIG. 6 is an enlarged view taken from the area VI of FIG. 4.

FIG. 7 is a left-side, elevational view thereof.

FIG. 8 is a right-side, elevational view thereof.

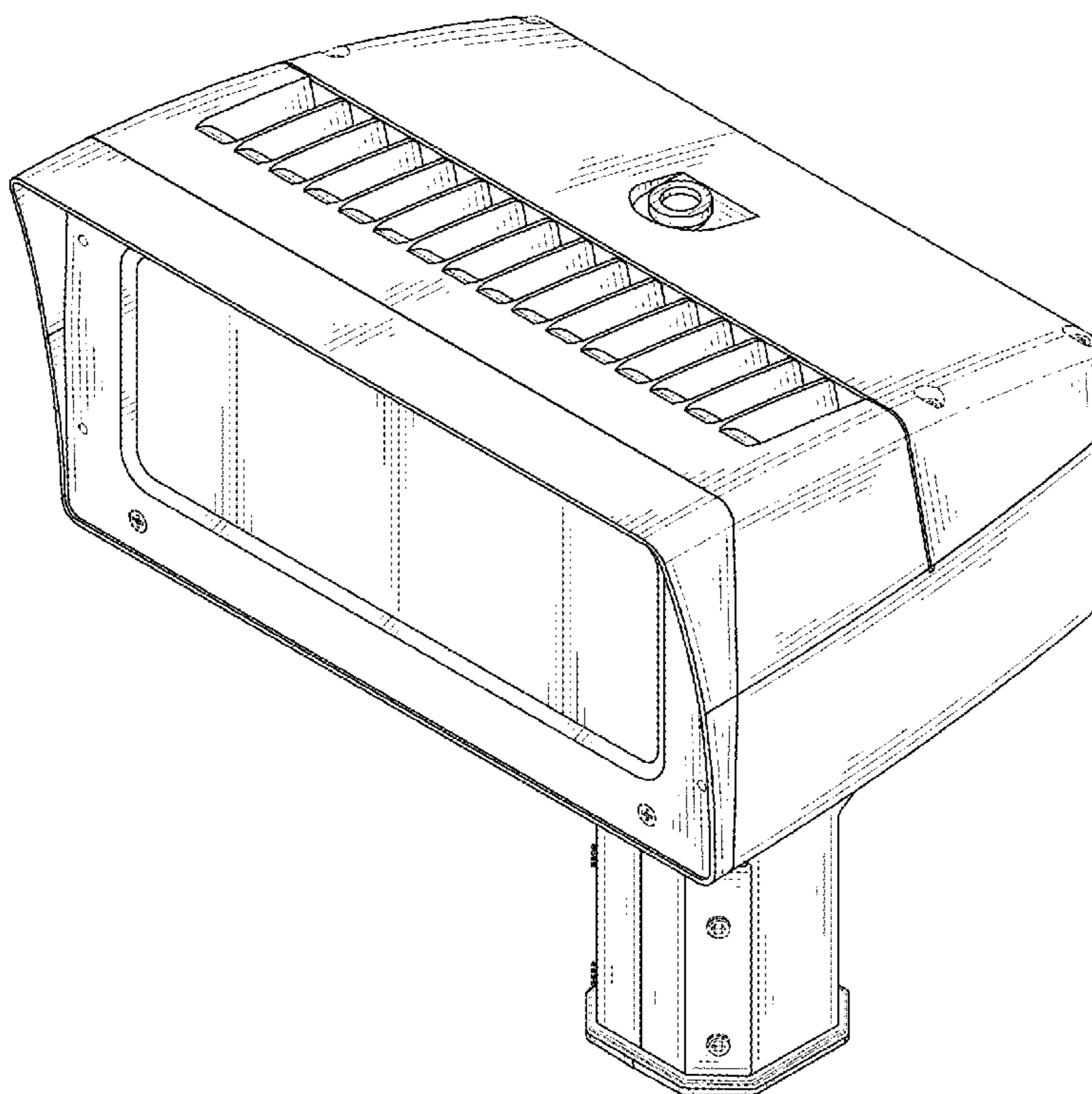
FIG. 9 is a top plan view thereof.

FIG. 10 is an enlarged view taken from the area X of FIG. 9.

FIG. 11 is an enlarged view taken from the area XI of FIG. 9; and,

FIG. 12 is a bottom plan view thereof.

**1 Claim, 12 Drawing Sheets**



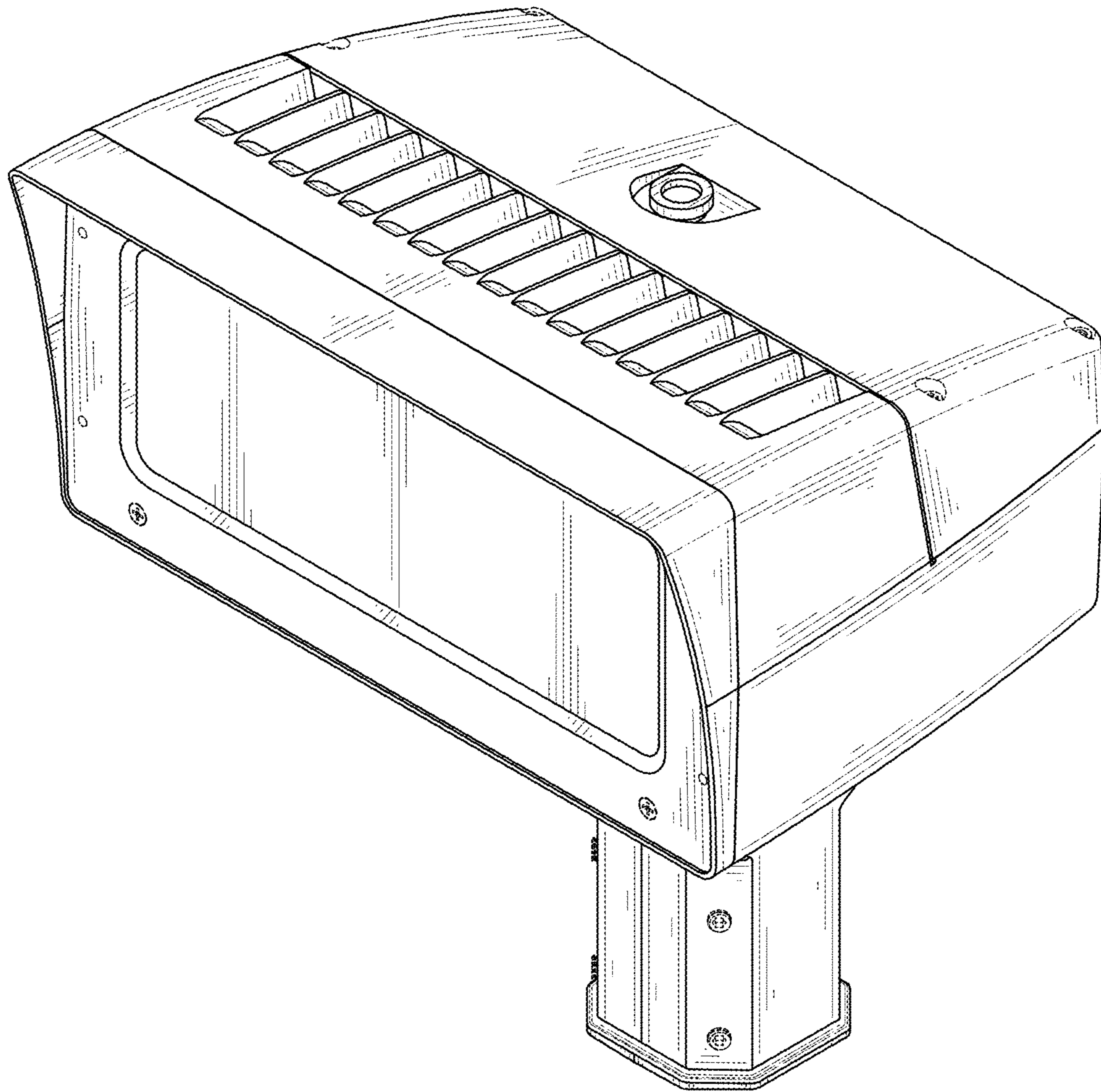


FIG. 1

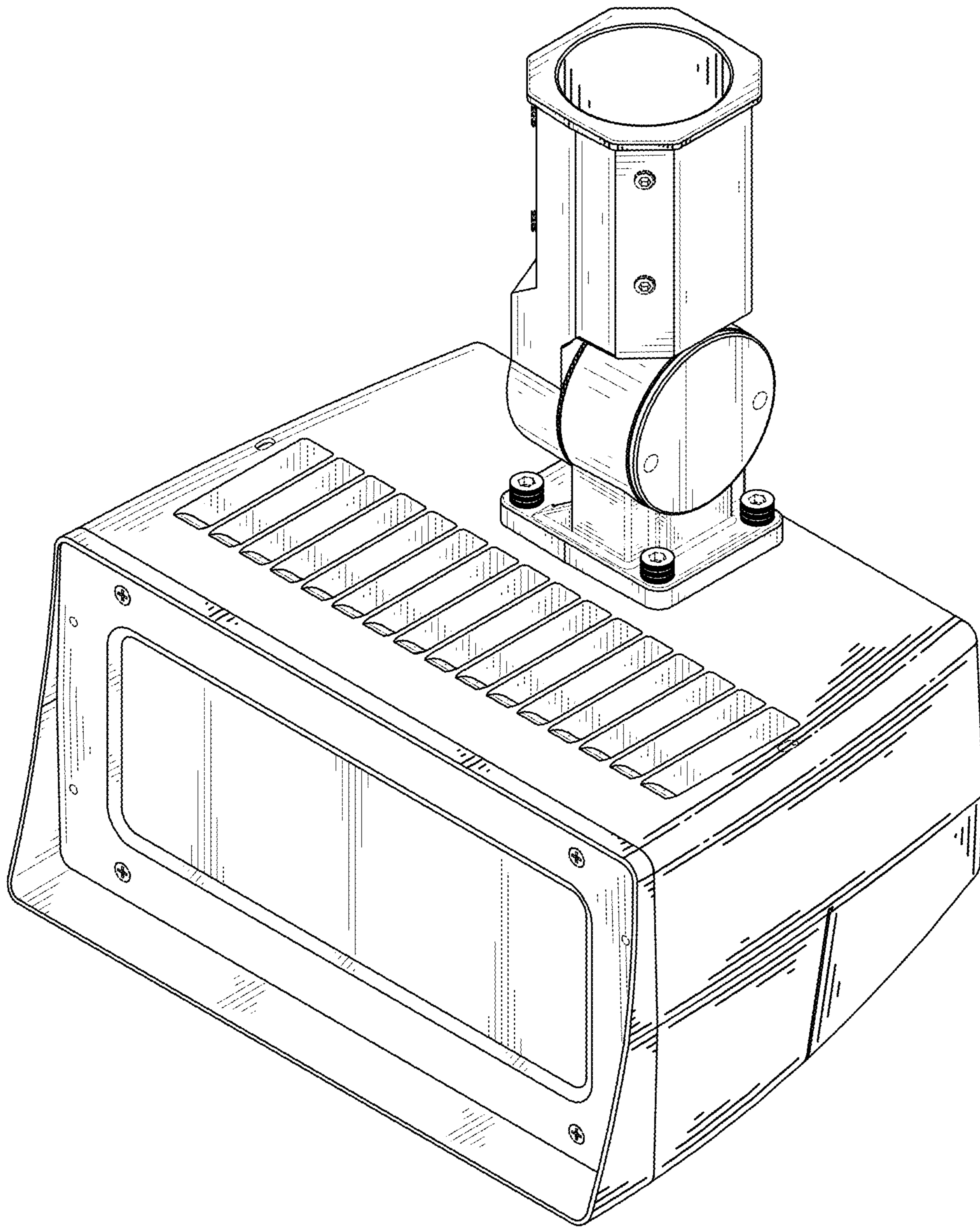


FIG. 2

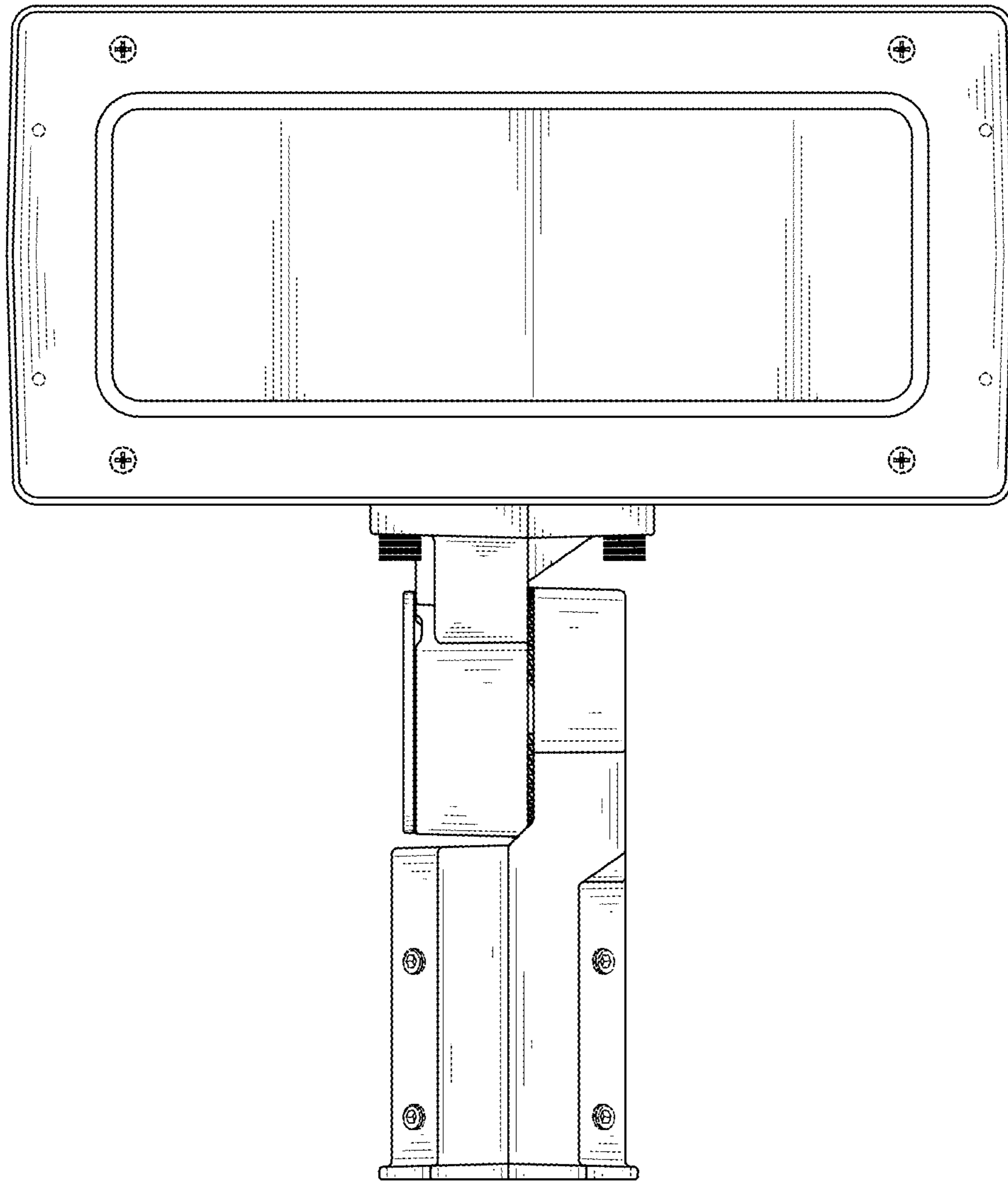


FIG. 3

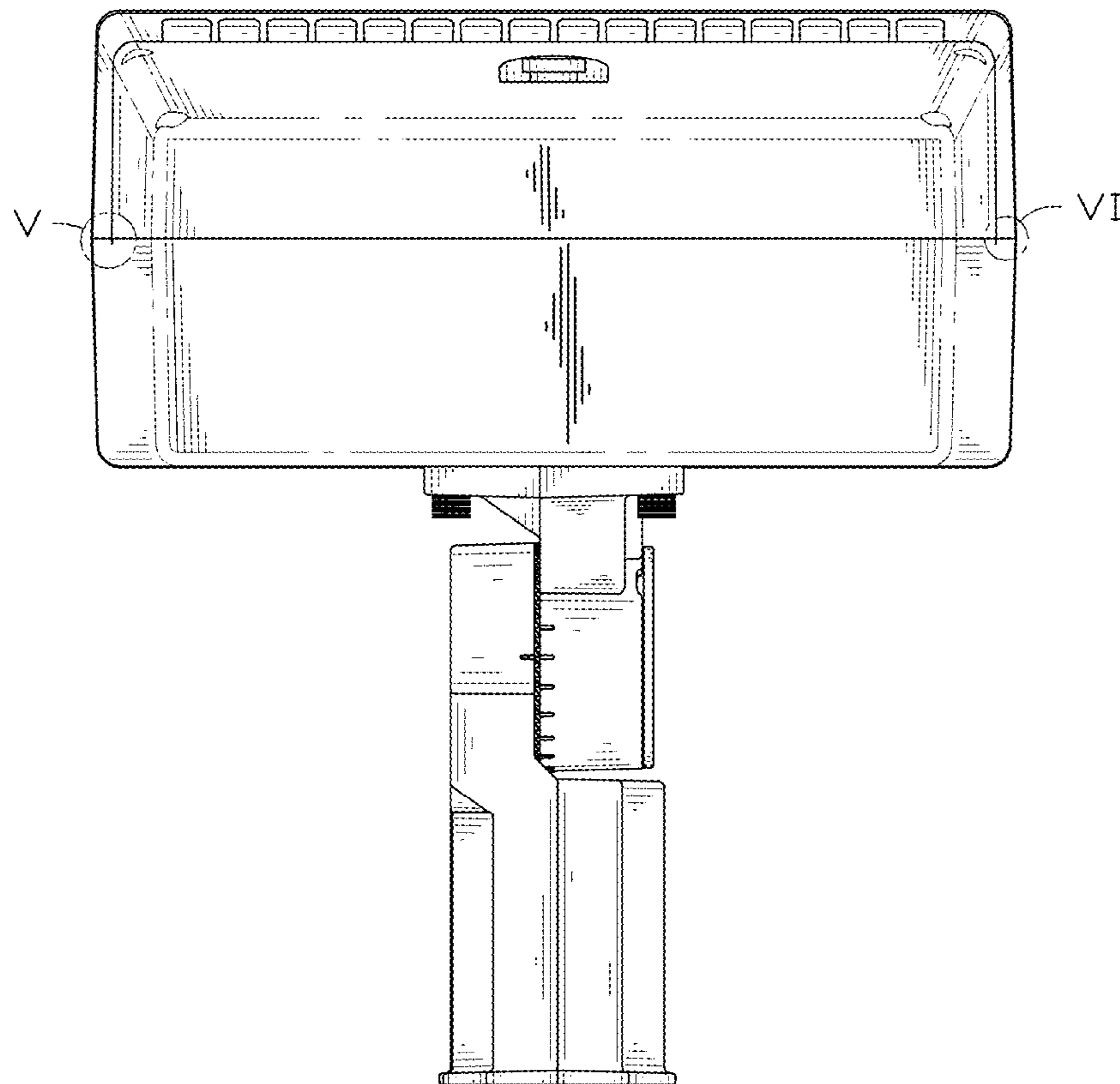


FIG. 4

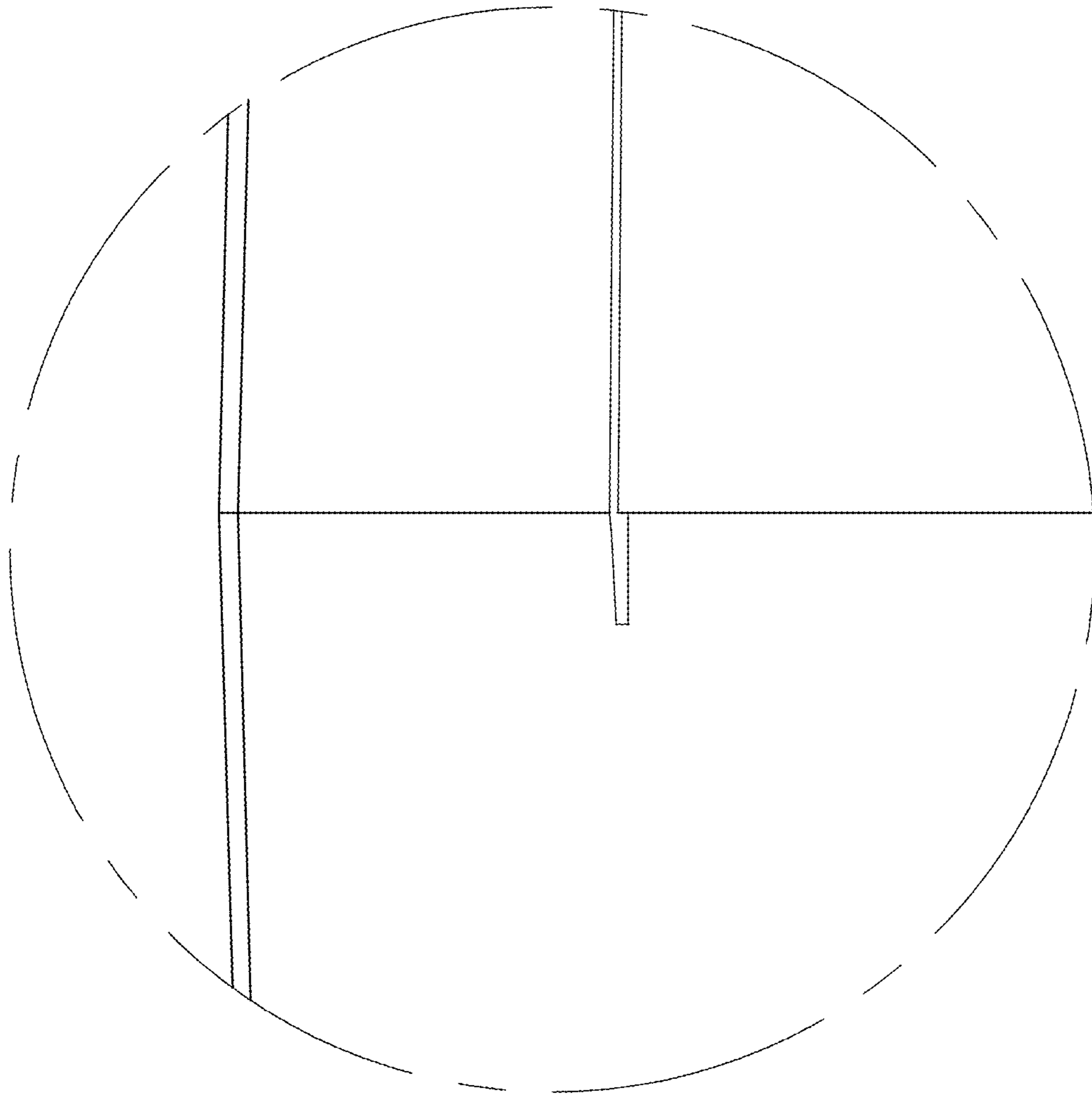


FIG. 5

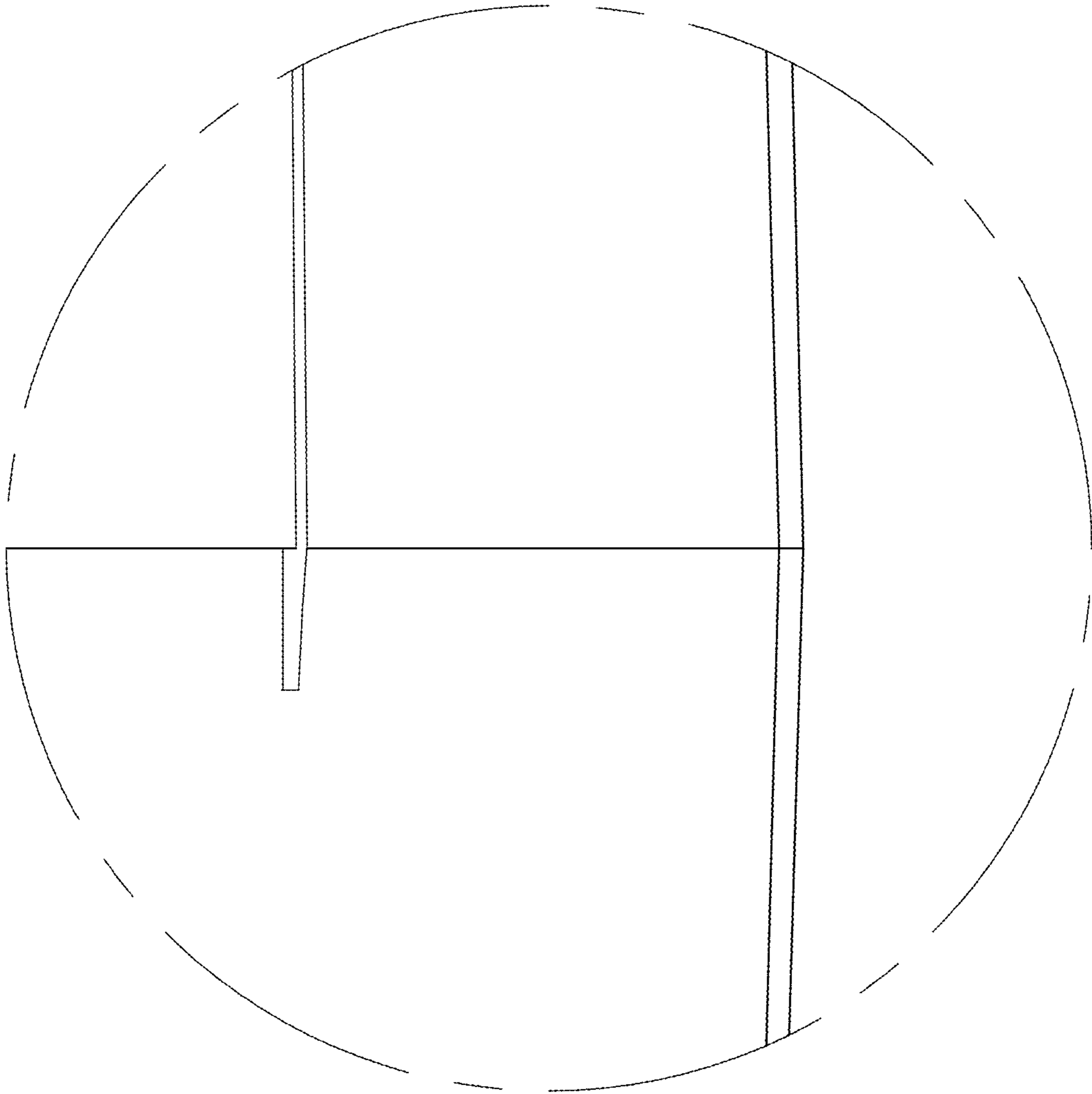


FIG. 6

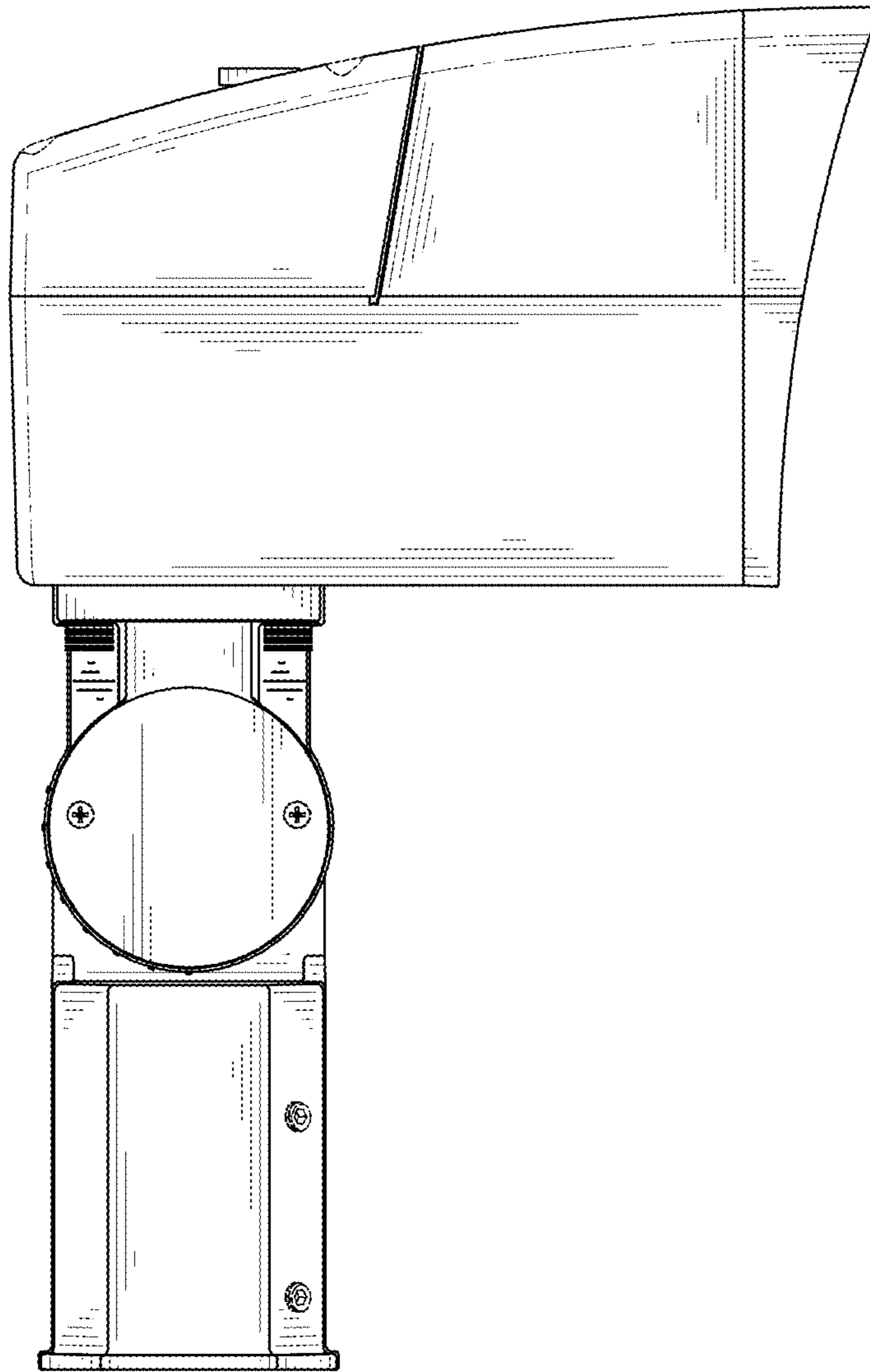


FIG. 7



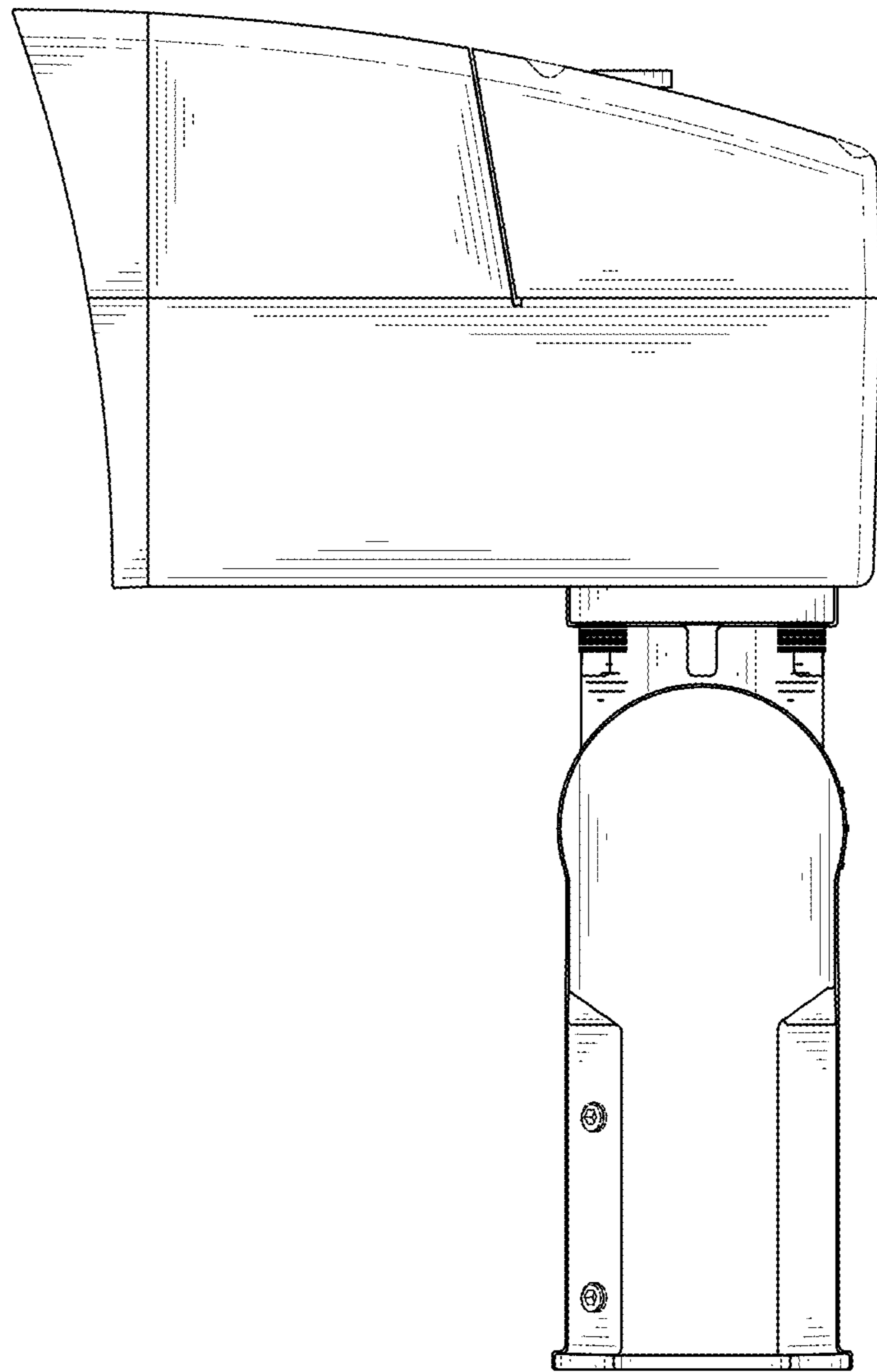


FIG. 8

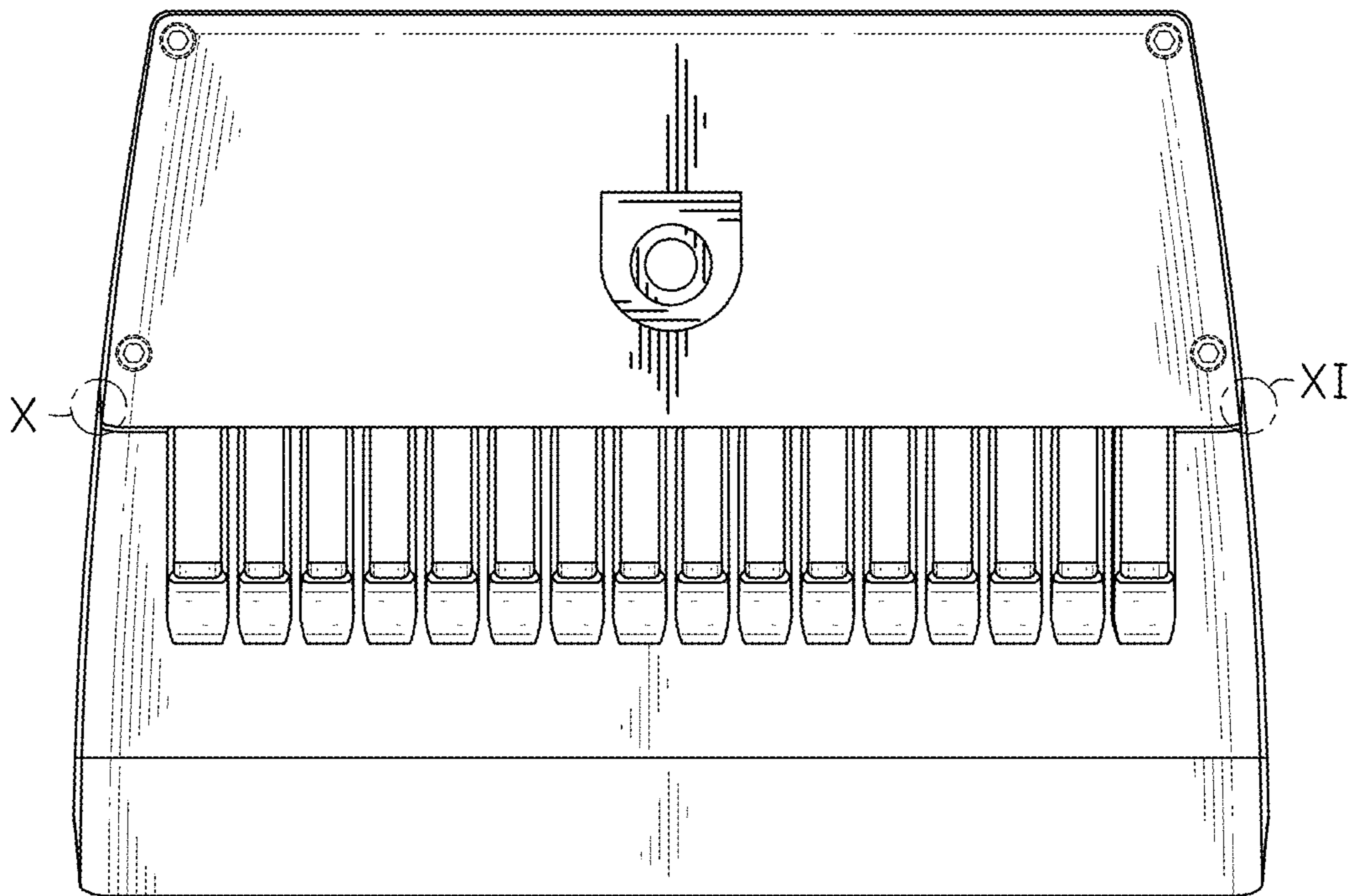


FIG. 9

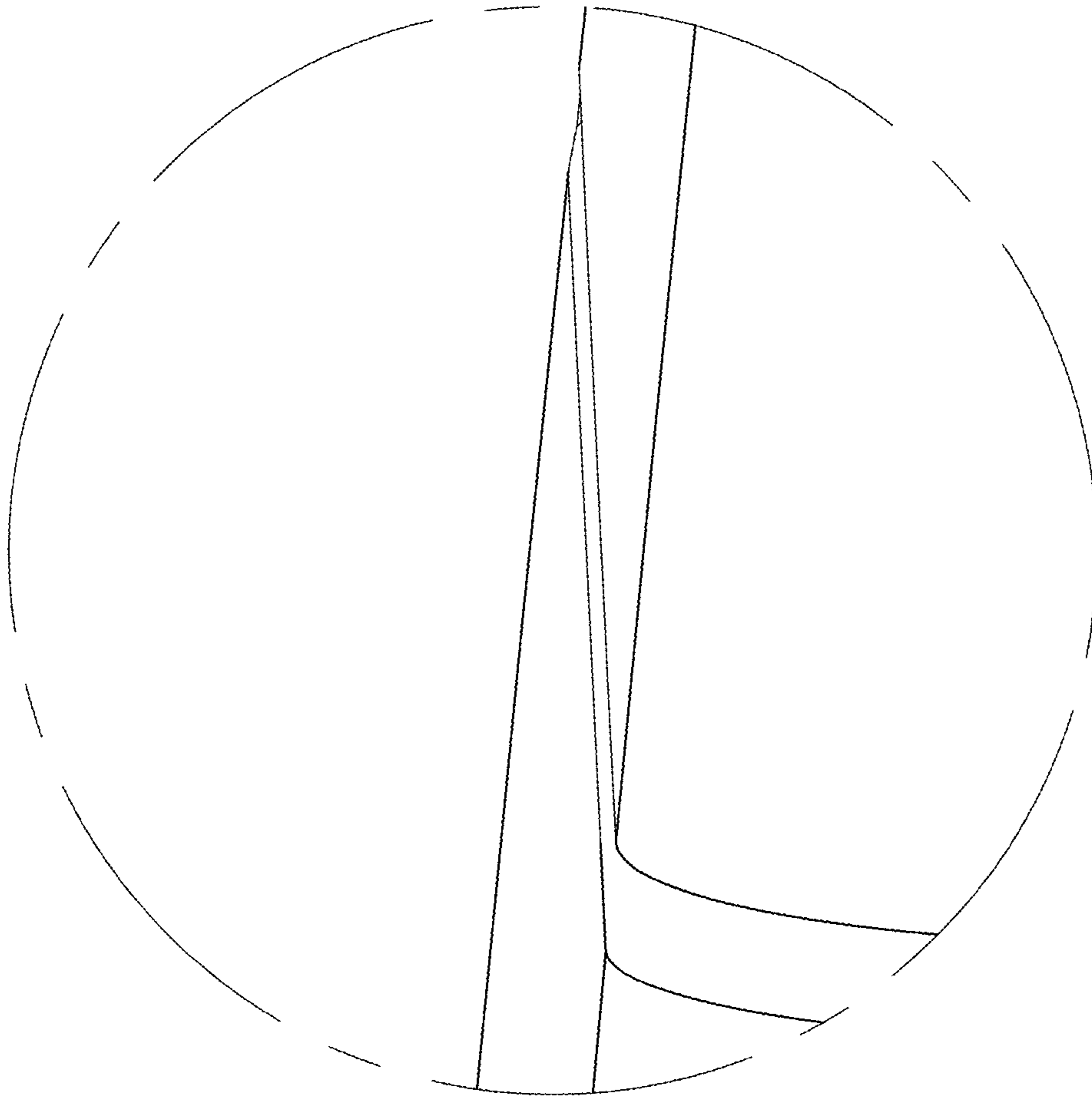


FIG. 10

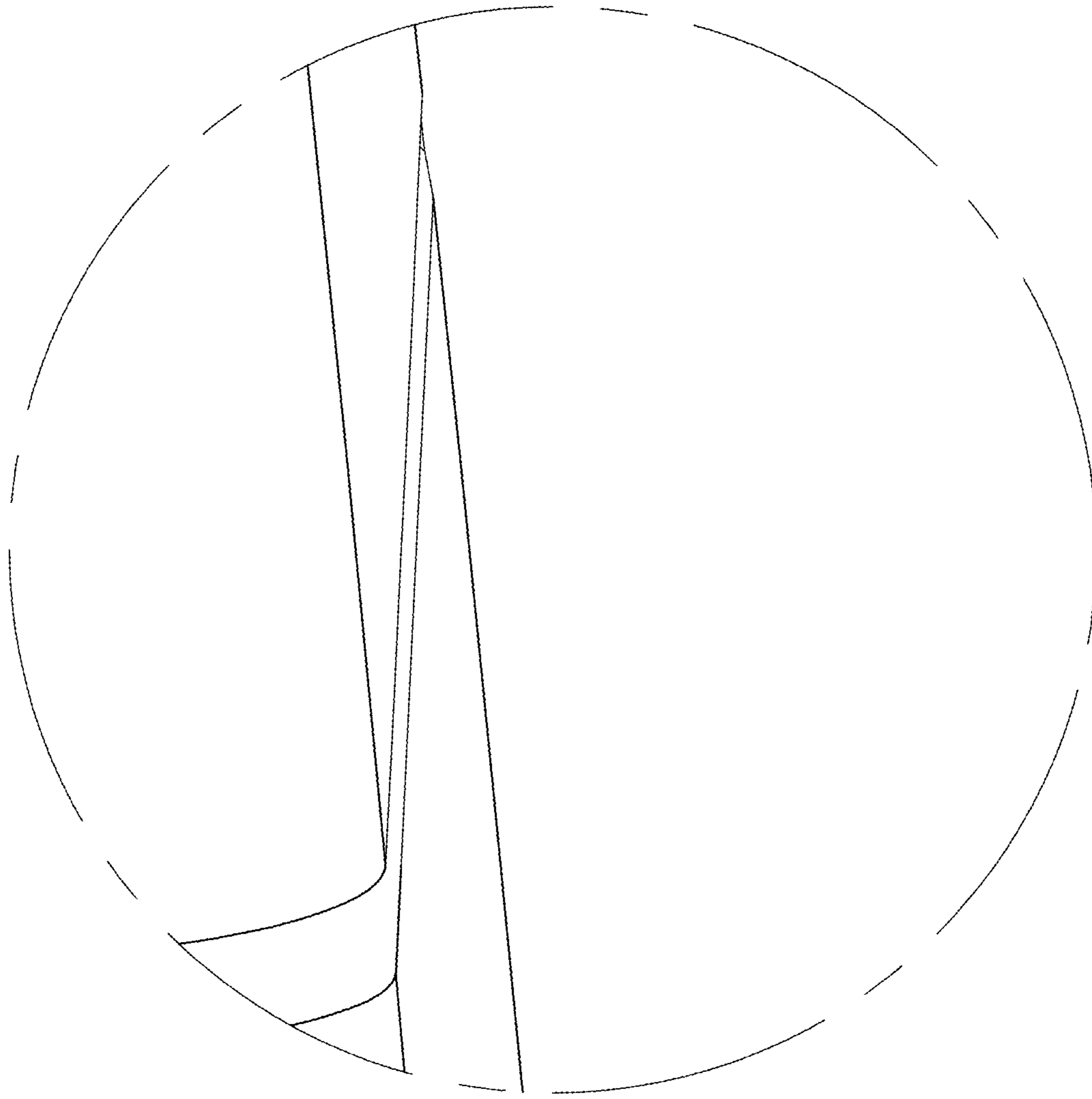


FIG. 11

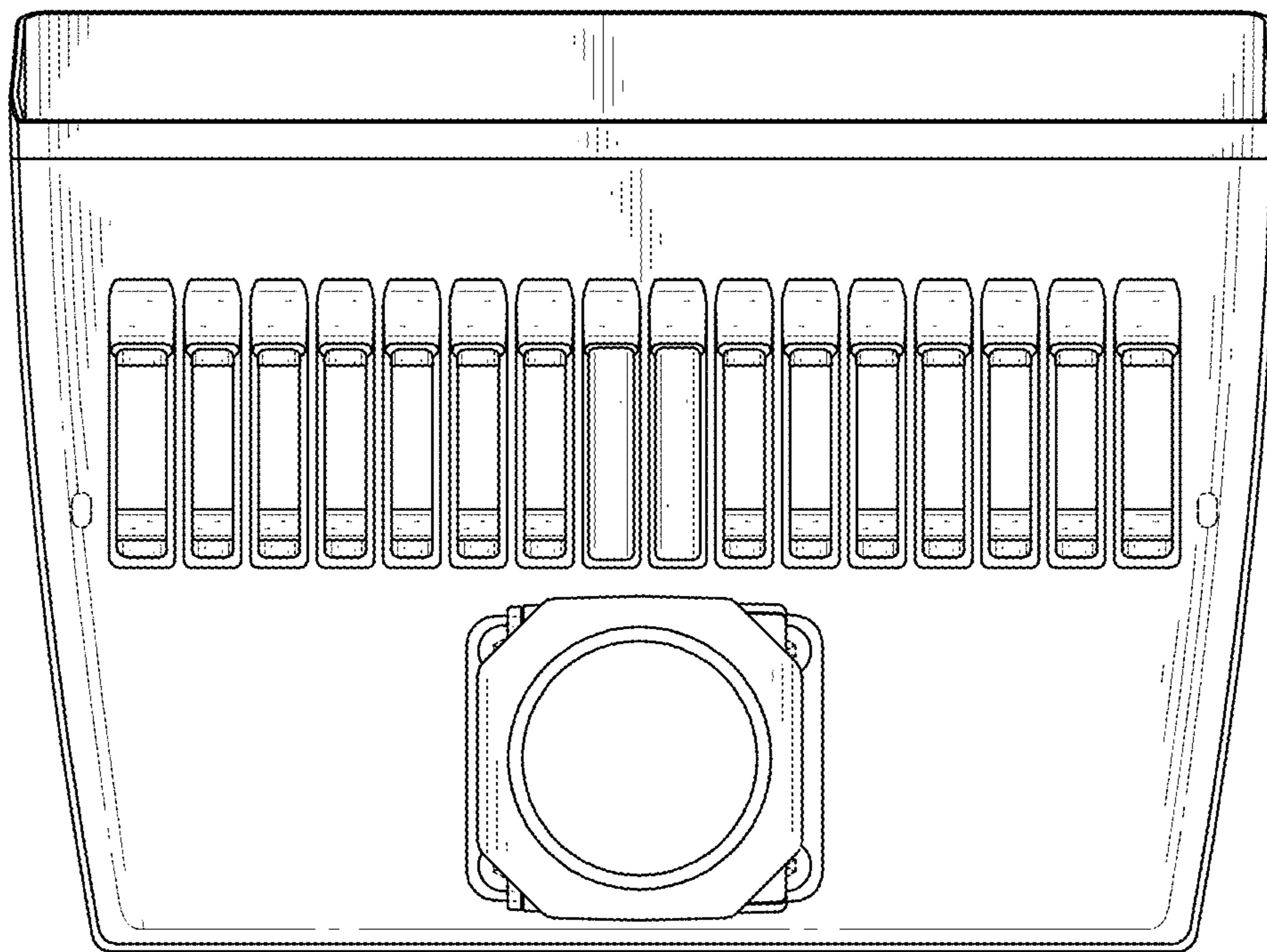


FIG. 12