



US00D774674S

(12) **United States Design Patent**
Hanwell

(10) **Patent No.:** **US D774,674 S**

(45) **Date of Patent:** **** Dec. 20, 2016**

(54) **PORTABLE LIGHT**

(71) Applicant: **Pelican Products, Inc.**, Torrance, CA
(US)

(72) Inventor: **John Edward Hanwell**, Beverly Hills,
CA (US)

(73) Assignee: **Pelican Products, Inc.**, Torrance, CA
(US)

(**) Term: **14 Years**

(21) Appl. No.: **29/478,012**

(22) Filed: **Dec. 30, 2013**

(51) **LOC (10) Cl.** **26-02**

(52) **U.S. Cl.**
USPC **D26/50**

(58) **Field of Classification Search**
USPC D26/37, 38, 40, 41, 46, 50, 51, 32, 92,
D26/96, 12, 9, 11; 362/157, 158,
362/171-174, 183, 184, 194-196,
362/202-208, 253
CPC F21L 2003/00; F21L 4/00; F21L 4/005;
F21L 4/02; F21L 4/025; F21L
4/027; F21L 4/04; F21L 4/08; F21L
2005/00; F21L 7/00; F21L 11/00; F21L
13/00; F21L 13/04; F21L 13/08; F21L
14/02; F21L 17/00; F21L 19/00
See application file for complete search history.

(56) **References Cited**

U.S. PATENT DOCUMENTS

D351,673 S * 10/1994 Fenne D26/48
D362,078 S * 9/1995 Sanders D26/37
D376,663 S * 12/1996 Yuen D26/38
D428,176 S * 7/2000 Bamber D26/46

D452,022 S * 12/2001 Osiecki D26/48
D473,960 S * 4/2003 Yuen D26/38
D479,889 S * 9/2003 Poon D26/38
D506,847 S * 6/2005 Hussaini D26/46
D532,536 S * 11/2006 Krieger D26/38
D542,447 S * 5/2007 Krieger D26/38
D545,470 S * 6/2007 Devany D26/46
D553,281 S * 10/2007 Rugendyke D26/46
D553,771 S * 10/2007 Watson D26/37
D556,353 S * 11/2007 Gebhard D26/48
D641,513 S * 7/2011 Wang D26/48
D643,138 S * 8/2011 Kawase D26/37
D665,521 S * 8/2012 Werner D26/37
D695,434 S * 12/2013 Shen D26/41
D699,874 S * 2/2014 Chilton D26/37
D705,467 S * 5/2014 Aglassinger D26/41
2013/0258645 A1 * 10/2013 Weber F21L 4/08
362/183

* cited by examiner

Primary Examiner — Ian Simmons

Assistant Examiner — Carissa C Fitts

(74) *Attorney, Agent, or Firm* — Foley & Lardner LLP

(57) **CLAIM**

I claim the ornamental design for a portable light, as shown and described.

DESCRIPTION

FIG. 1 is a perspective view of a portable light.
FIG. 2 is a front view of the portable light.
FIG. 3 is a rear view of the portable light.
FIG. 4 is a left view of the portable light.
FIG. 5 is a right view of the portable light.
FIG. 6 is a top view of the portable light; and,
FIG. 7 is a bottom view of the portable light.
The broken line showing represents portions of the article not claimed and forms no part of the claimed design.

1 Claim, 6 Drawing Sheets

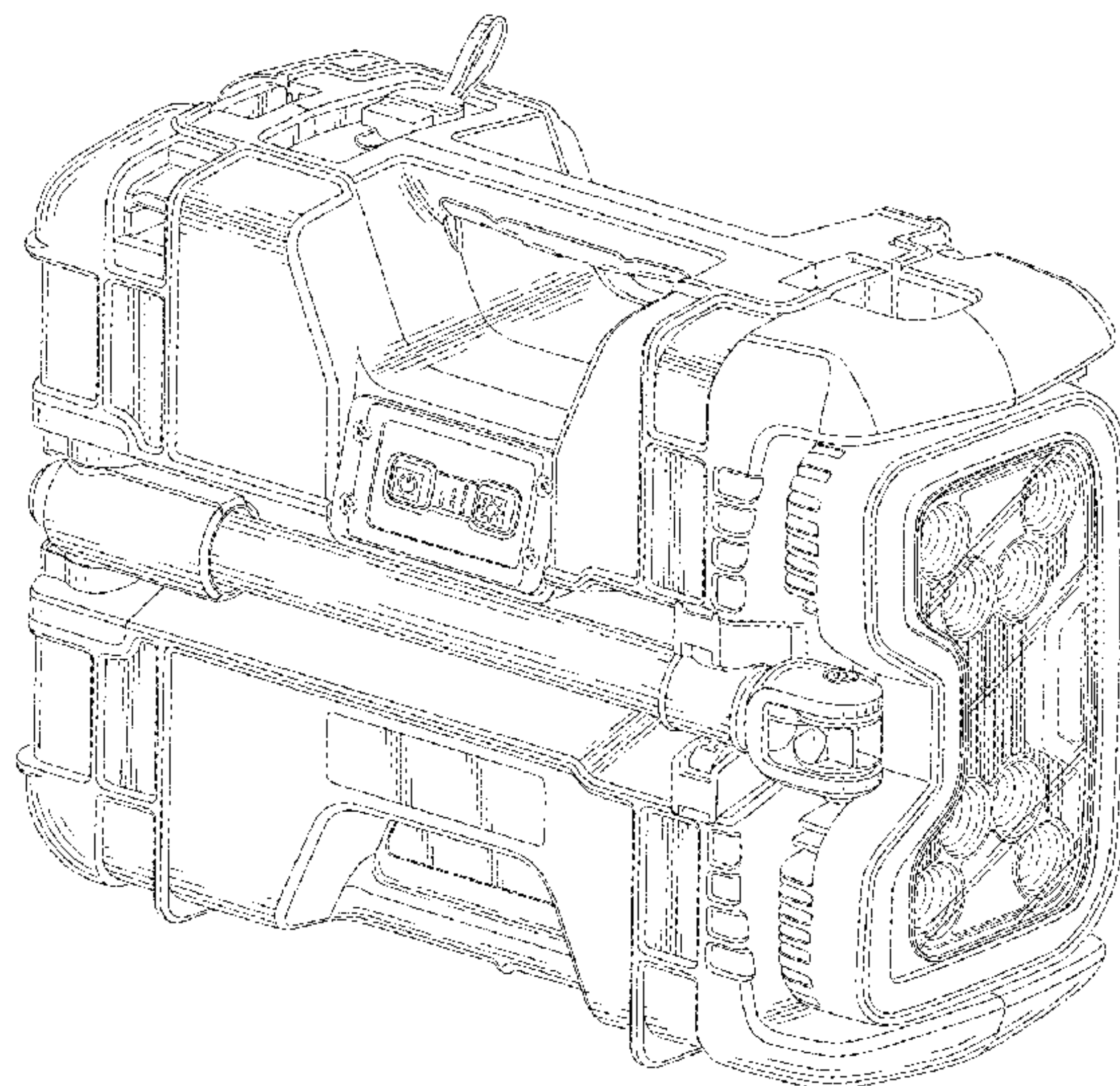


FIG. 1

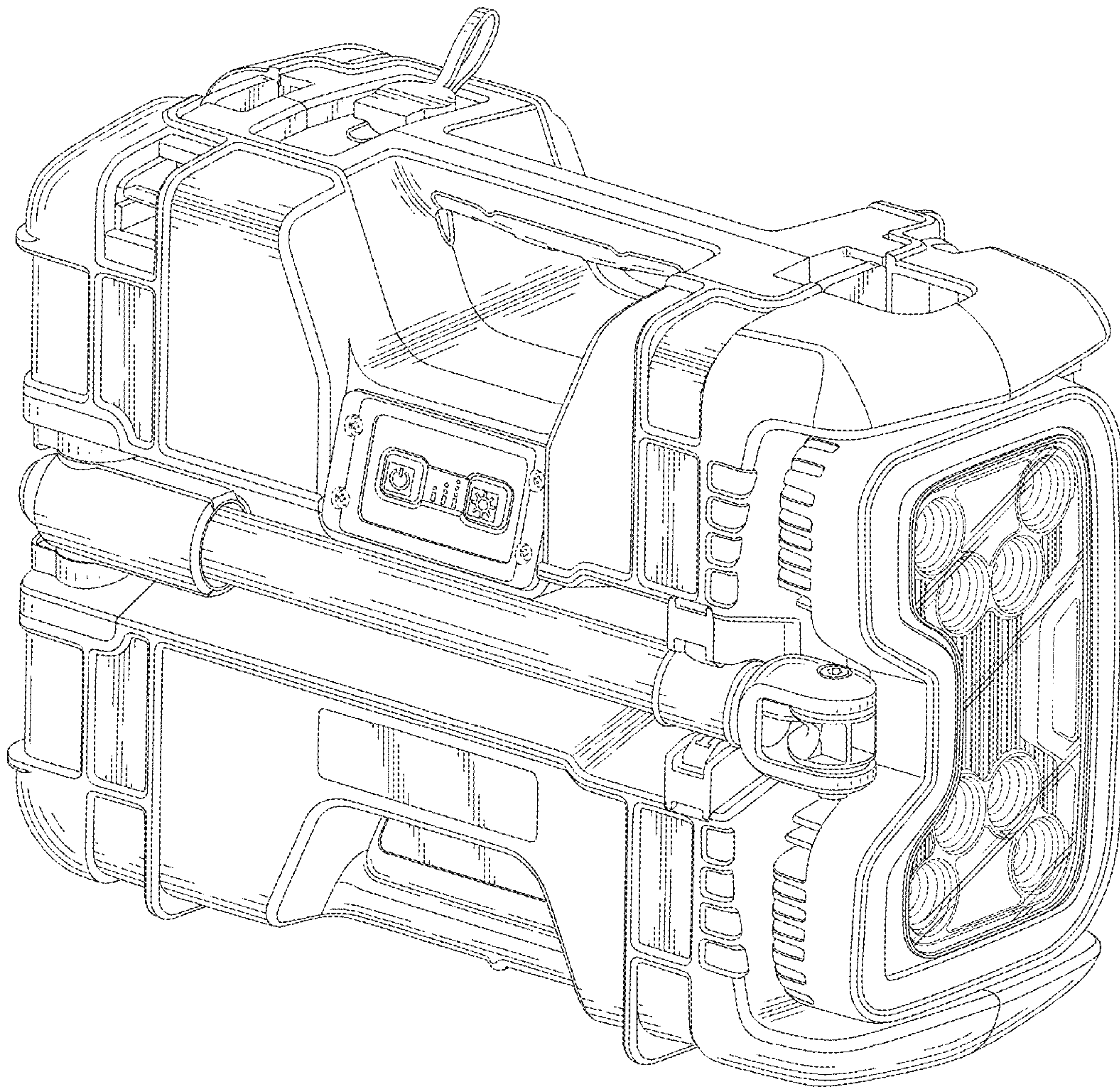


FIG. 2

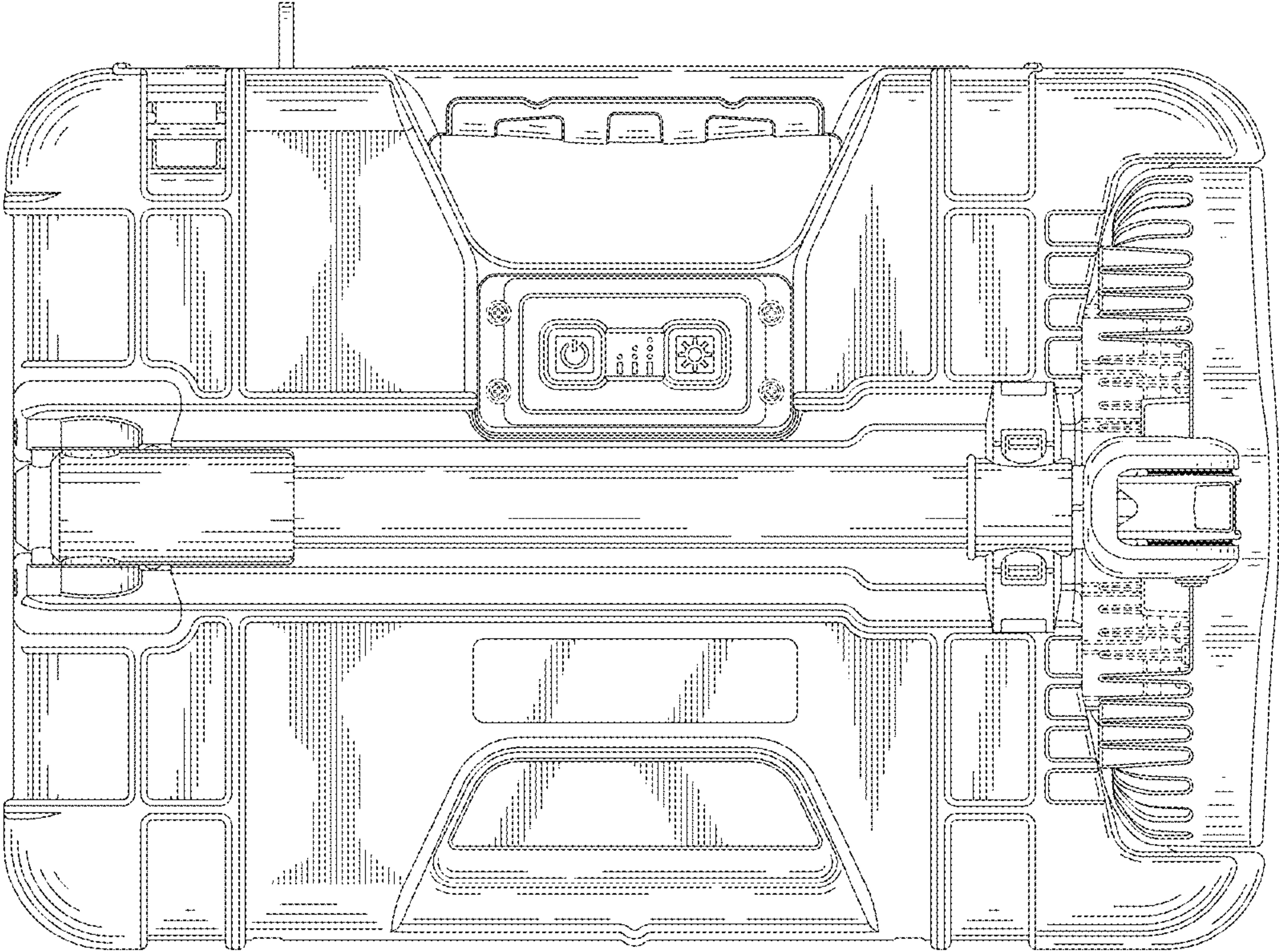


FIG. 3

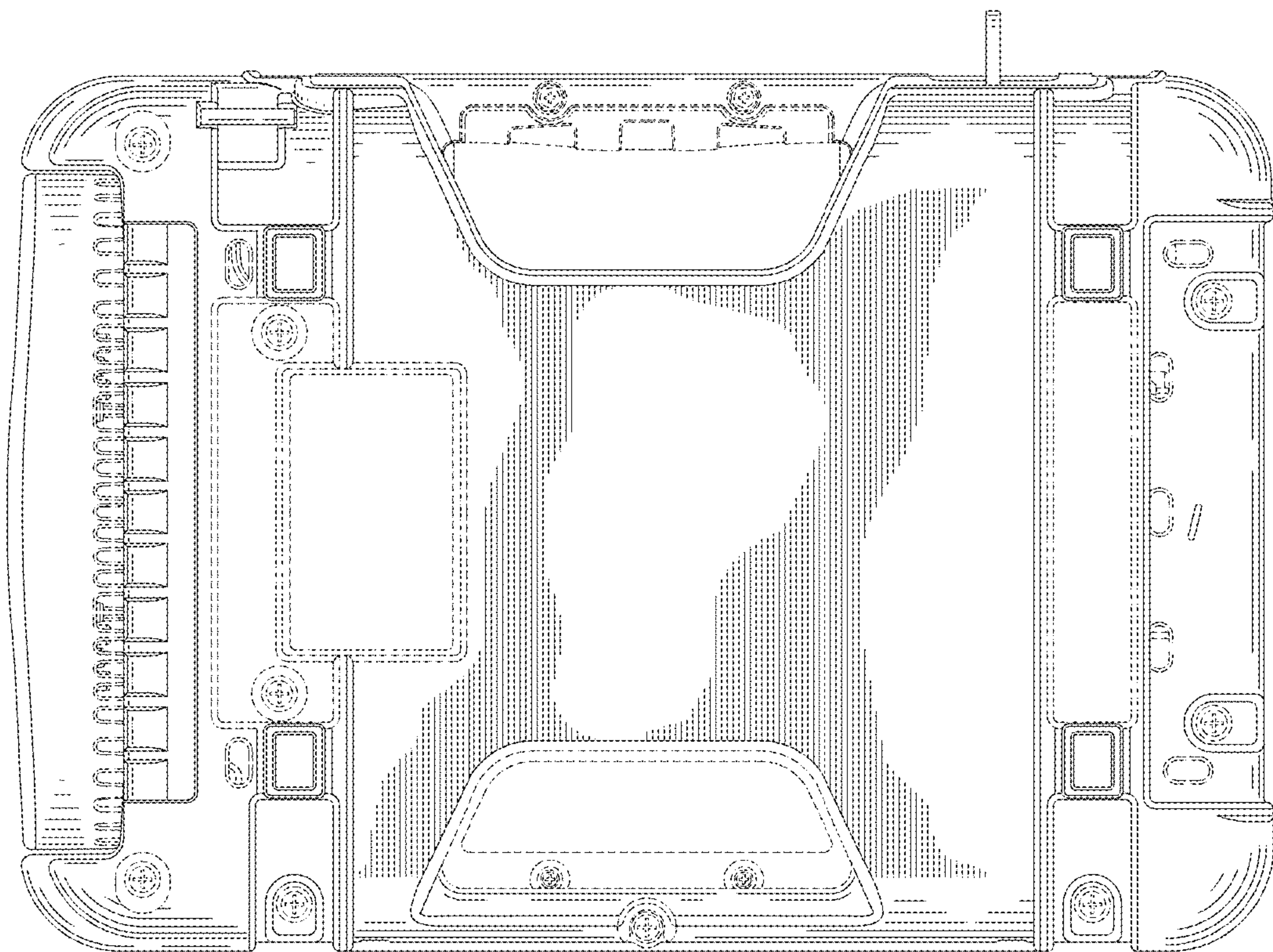


FIG. 4

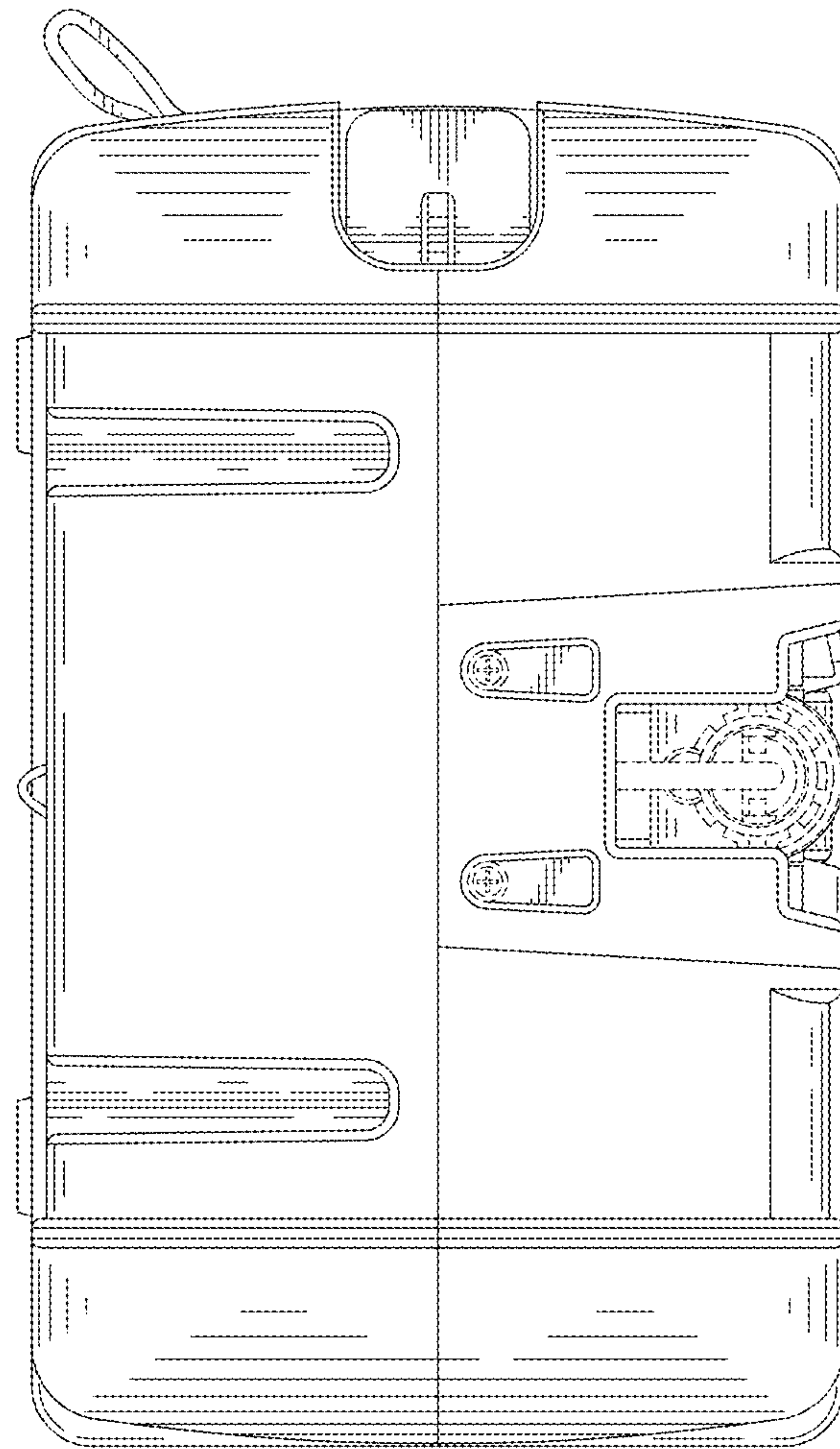


FIG. 5

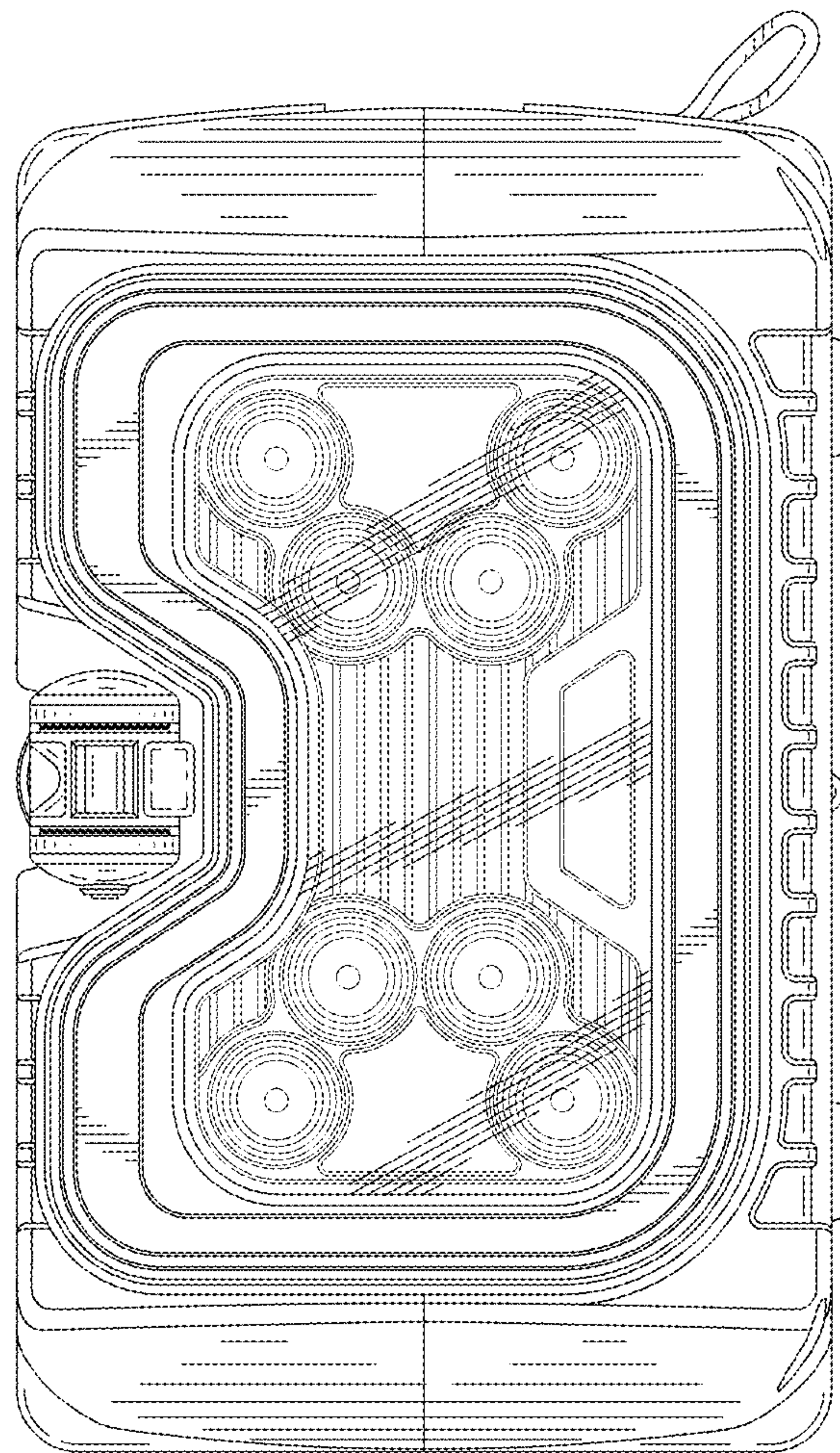


FIG. 6

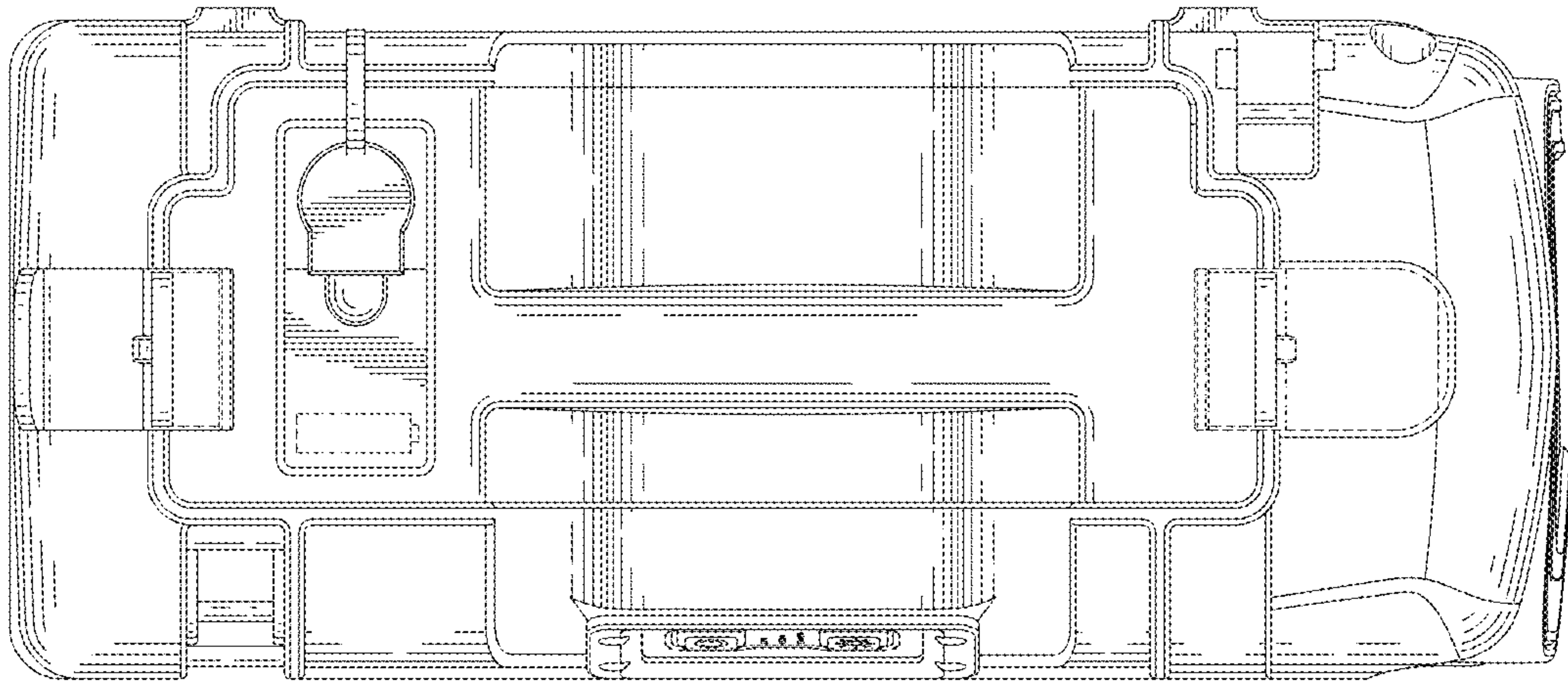


FIG. 7

