



US00D774673S

(12) **United States Design Patent** (10) **Patent No.:** **US D774,673 S**
Lai (45) **Date of Patent:** **** Dec. 20, 2016**

(54) **VEHICLE UNIVERSAL SIDE MARKER**

(71) Applicant: **Ching-Tsung Lai**, Tainan (TW)

(72) Inventor: **Ching-Tsung Lai**, Tainan (TW)

(**) Term: **15 Years**

(21) Appl. No.: **29/547,332**

(22) Filed: **Dec. 2, 2015**

(51) **LOC (10) Cl.** **26-06**

(52) **U.S. Cl.**
USPC **D26/28**

(58) **Field of Classification Search**

USPC D26/28-36; 362/80-83, 267-269,
362/459-468, 475-478, 485-487

CPC F21S 48/00; B60Q 1/04; B60Q 1/26;
F21V 21/04; F21V 37/002

See application file for complete search history.

(56) **References Cited**

U.S. PATENT DOCUMENTS

D385,370 S * 10/1997 Moore D26/28
D477,887 S * 7/2003 Lin D26/28

D519,232 S * 4/2006 Columbro D26/28
D520,156 S * 5/2006 Campagna D26/28
D530,437 S * 10/2006 Neufeglise D26/28
D535,761 S * 1/2007 Li D26/24
D554,280 S * 10/2007 Chen D26/35
D558,366 S * 12/2007 Thomson D26/28

* cited by examiner

Primary Examiner — Marcus Jackson

(57) **CLAIM**

An ornamental design for an vehicle universal side marker, as shown and described.

DESCRIPTION

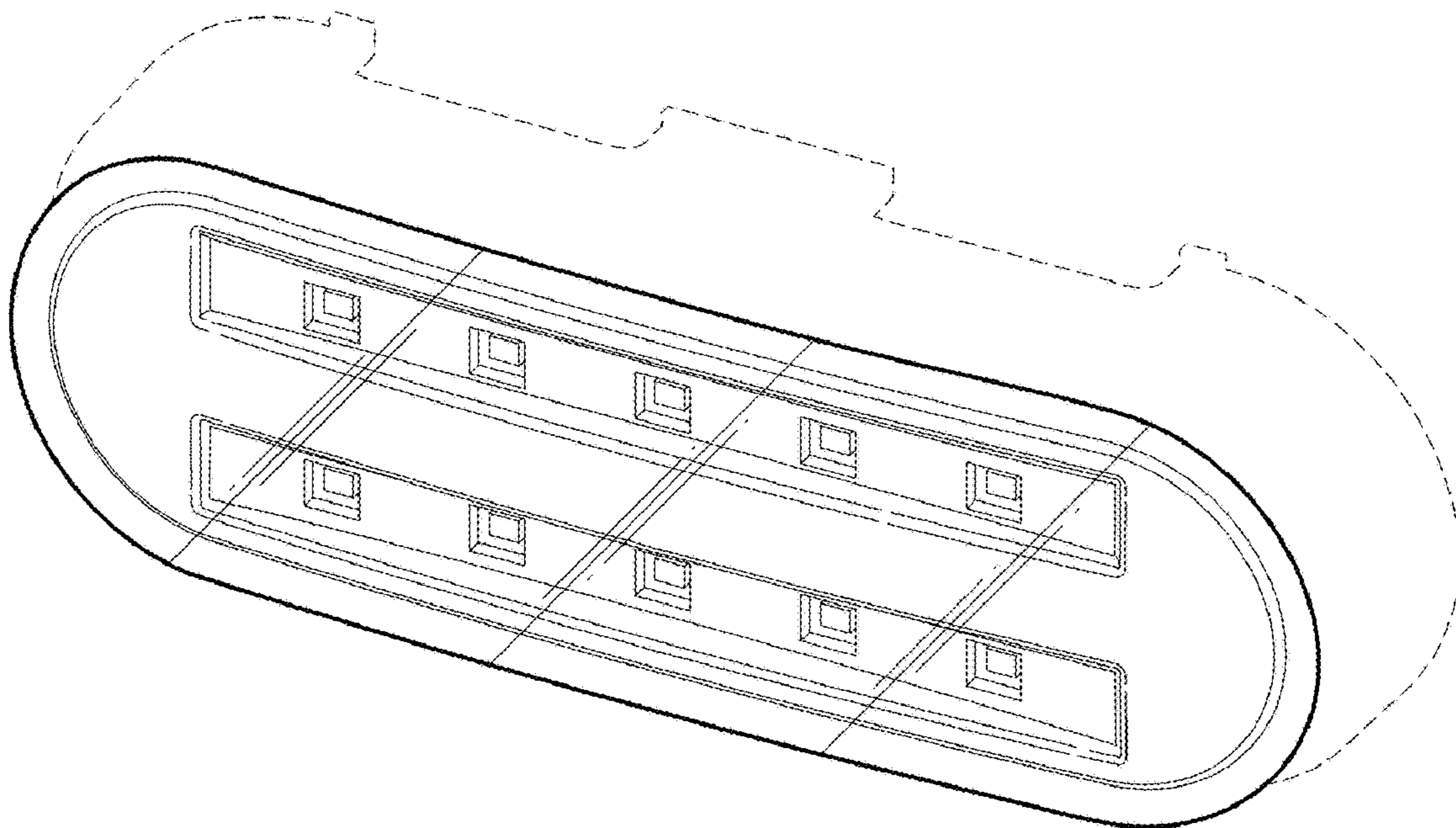
FIG. 1 is a perspective view of an vehicle universal side marker. The dash line included denotes environment and is not part of the claimed design.

FIG. 2 is a front view thereof;

FIG. 3 is a top view thereof; and,

FIG. 4 is a side view thereof.

1 Claim, 4 Drawing Sheets



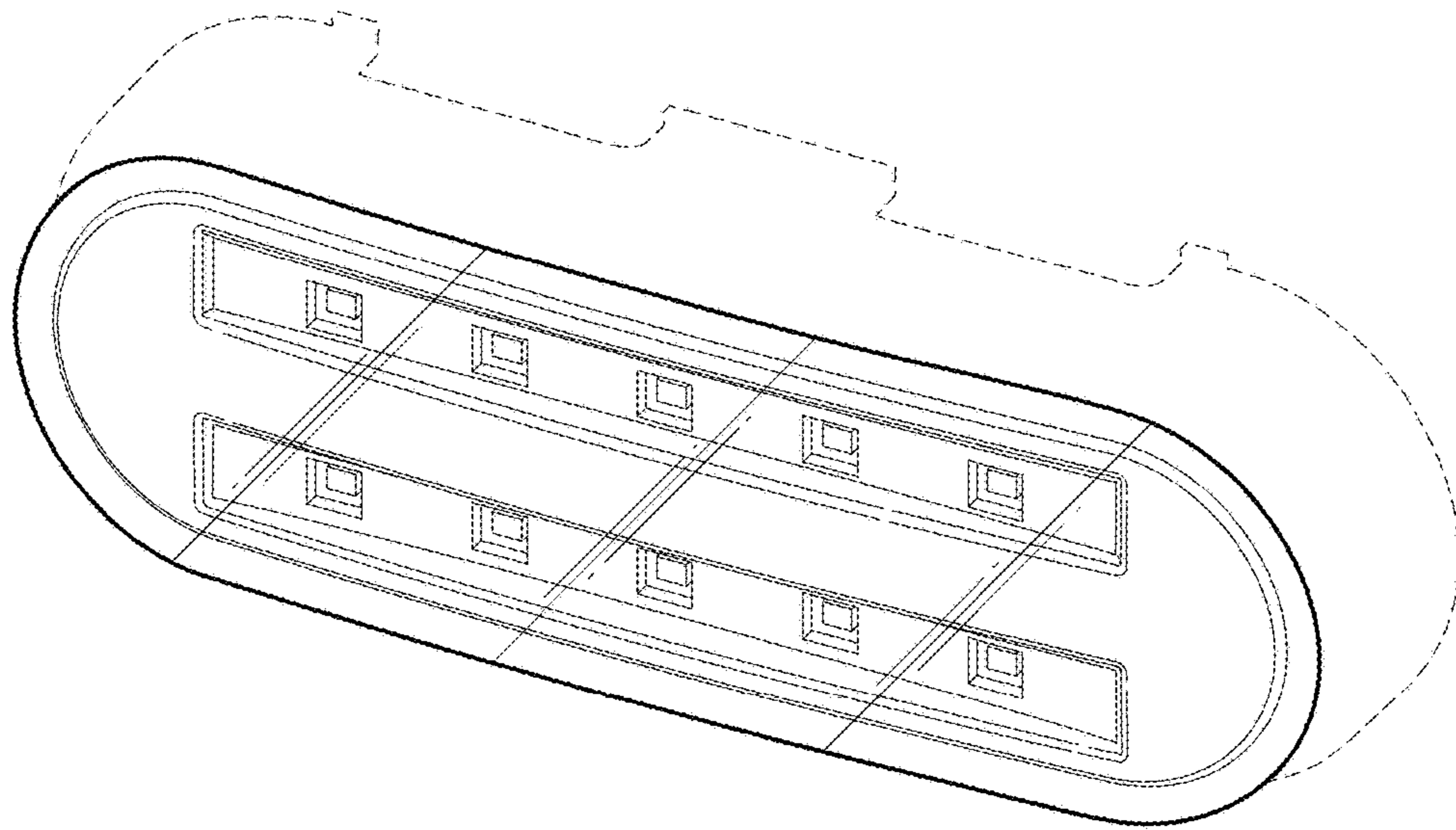


FIG. 1

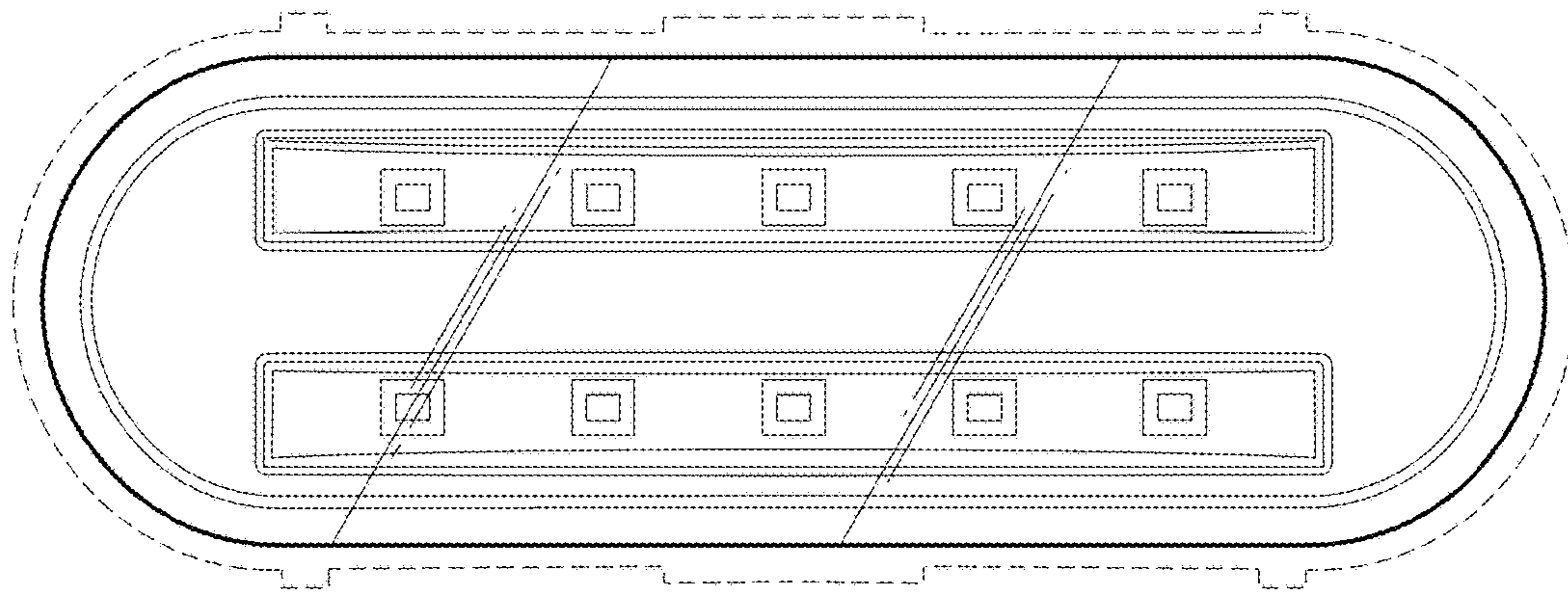


FIG. 2

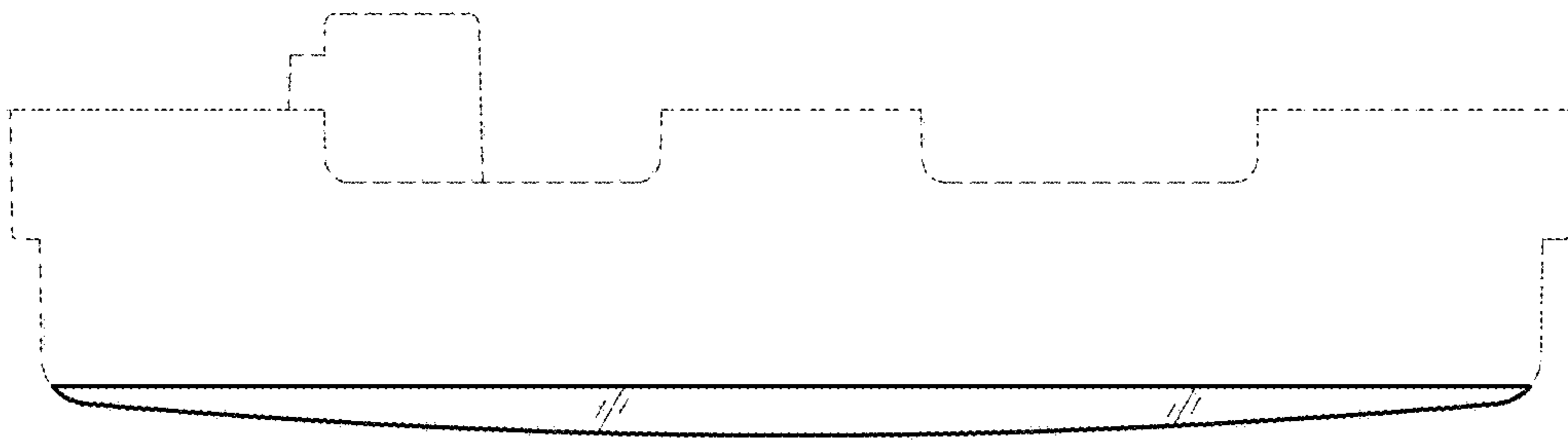


FIG. 3

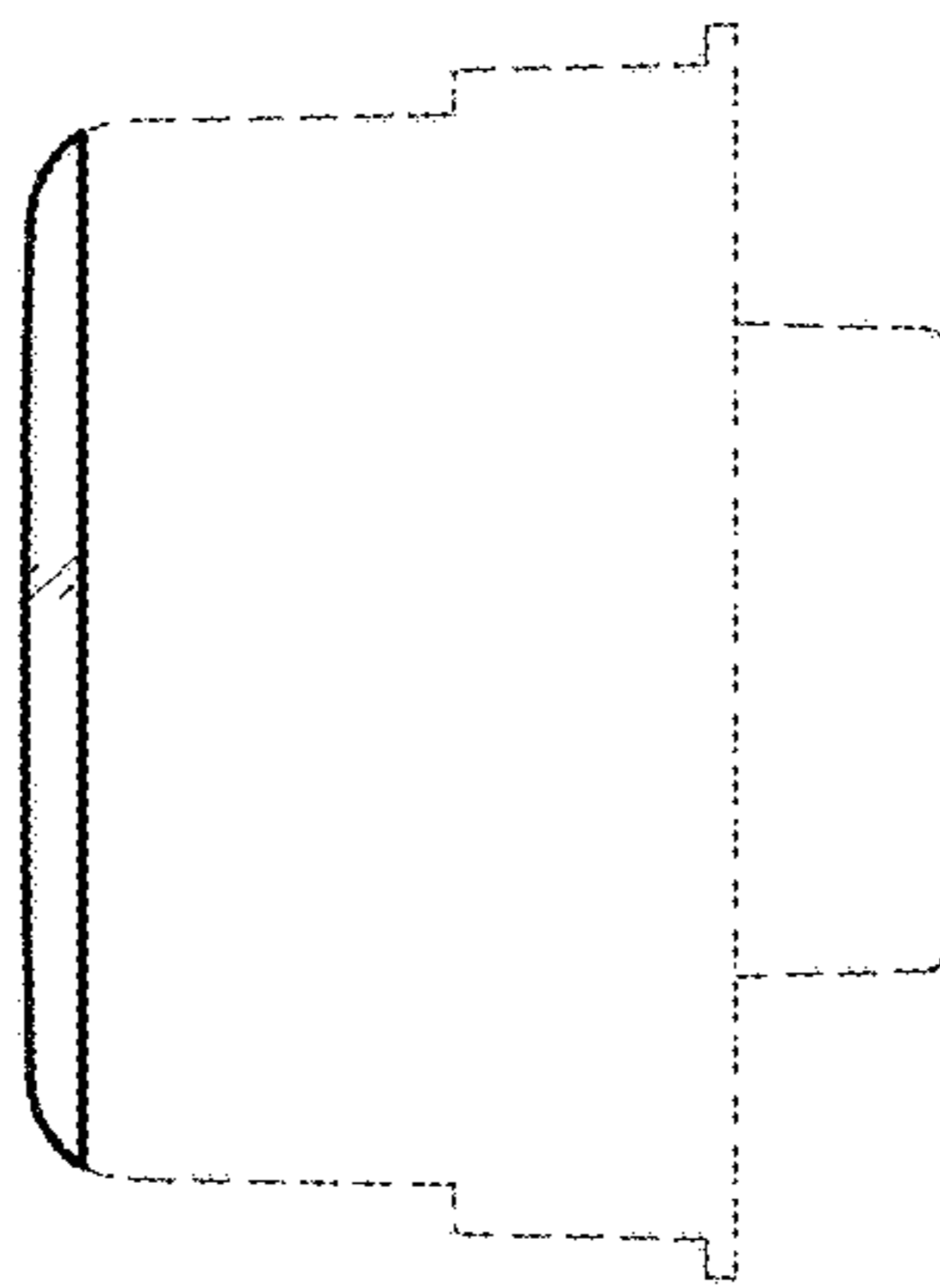


FIG. 4