



US00D774672S

(12) **United States Design Patent**  
**Lai**

(10) **Patent No.:** **US D774,672 S**

(45) **Date of Patent:** **\*\* Dec. 20, 2016**

(54) **VEHICLE UNIVERSAL SIDE MARKER**

(71) Applicant: **Ching-Tsung Lai**, Tainan (TW)

(72) Inventor: **Ching-Tsung Lai**, Tainan (TW)

(\*\*) Term: **15 Years**

(21) Appl. No.: **29/547,331**

(22) Filed: **Dec. 2, 2015**

(51) **LOC (10) Cl.** ..... **26-06**

(52) **U.S. Cl.**  
USPC ..... **D26/28**

(58) **Field of Classification Search**  
USPC ..... D26/28-36; 362/80-83, 267-269,  
362/459-468, 475-478, 485-487  
CPC ..... F21S 48/00; B60Q 1/04; B60Q 1/26;  
F21V 21/04; F21V 37/002  
See application file for complete search history.

(56) **References Cited**

**U.S. PATENT DOCUMENTS**

D385,370 S \* 10/1997 Moore ..... D26/28  
D420,302 S 2/2000 Barnhart

D477,887 S \* 7/2003 Lin ..... D26/28  
D520,156 S \* 5/2006 Campagna ..... D26/28  
D530,437 S \* 10/2006 Neufeglise ..... D26/28  
D535,761 S \* 1/2007 Li ..... D26/24  
D554,280 S \* 10/2007 Chen ..... D26/35  
D558,366 S \* 12/2007 Thomson ..... D26/28

\* cited by examiner

*Primary Examiner* — Marcus Jackson

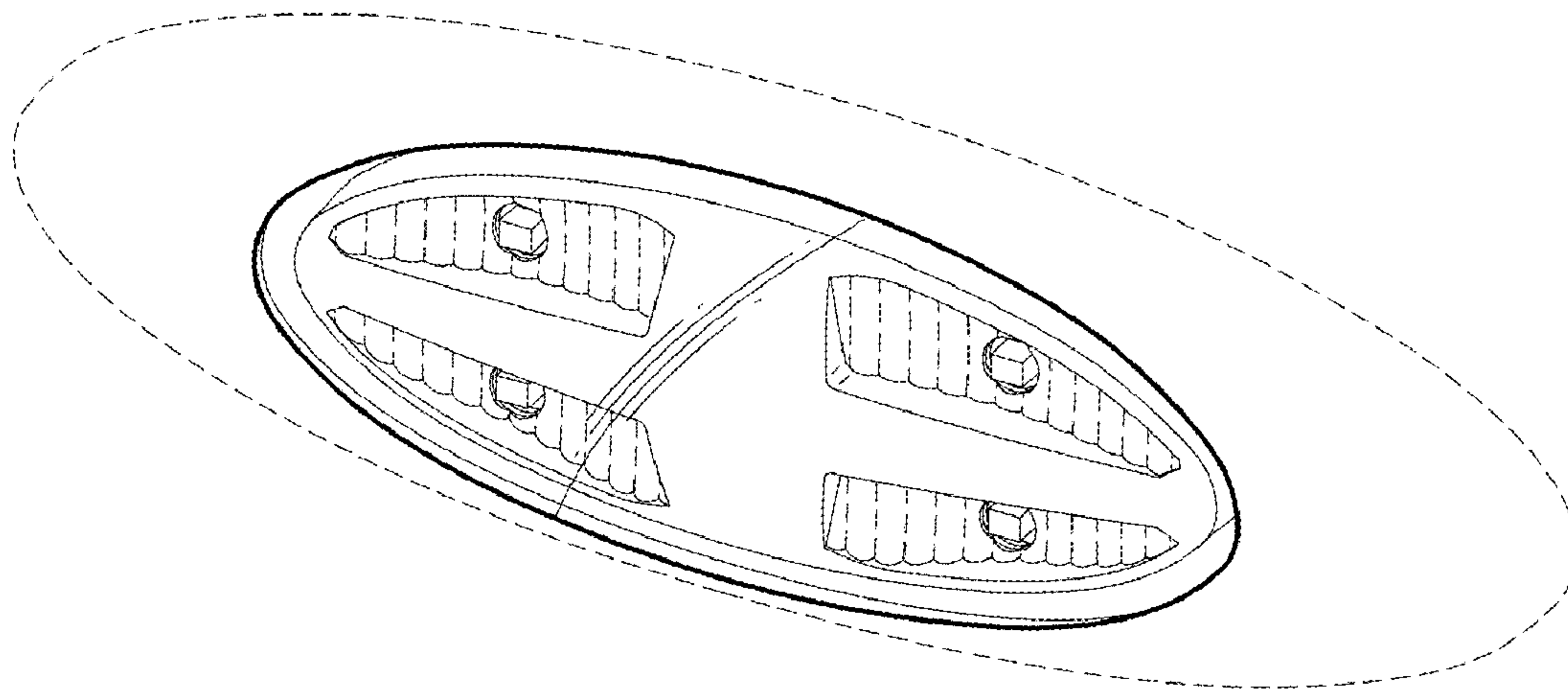
(57) **CLAIM**

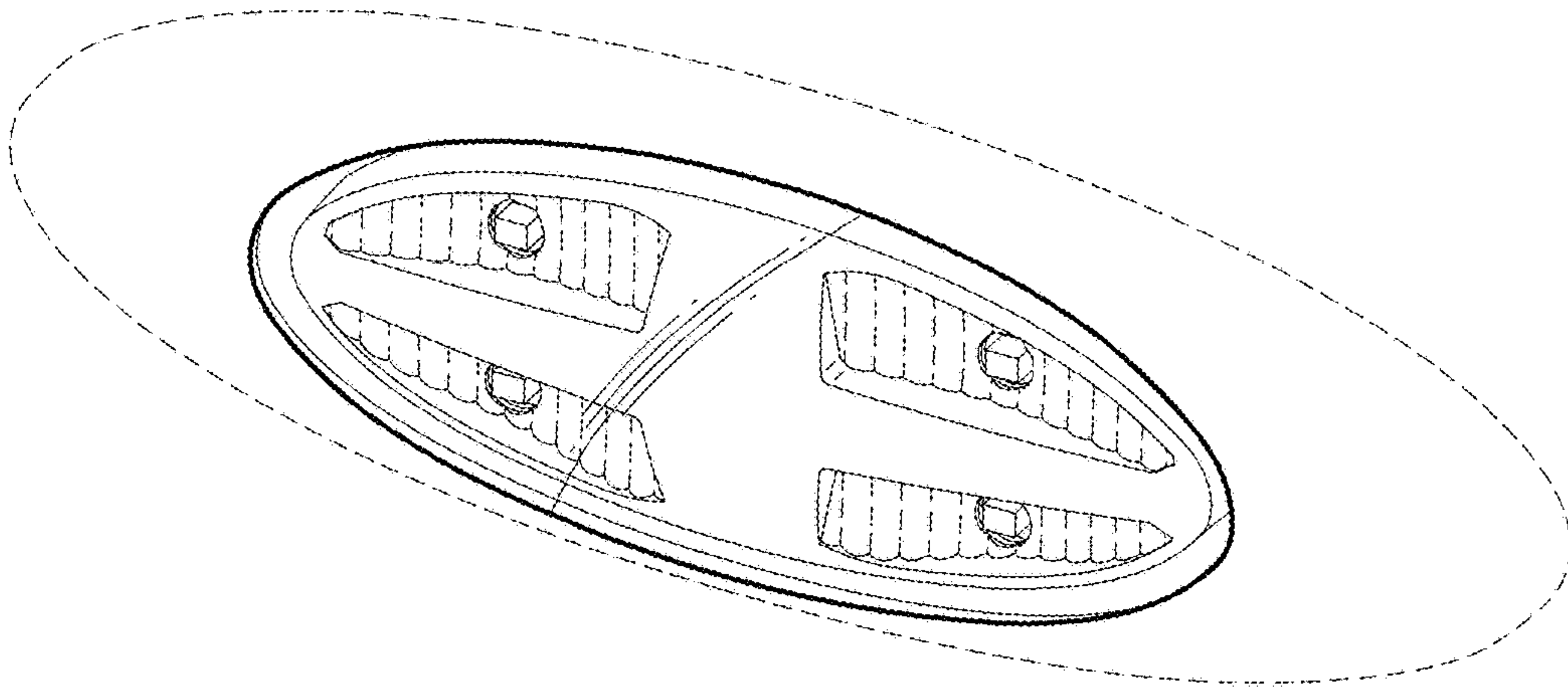
An ornamental design for an vehicle universal side marker, as shown and described.

**DESCRIPTION**

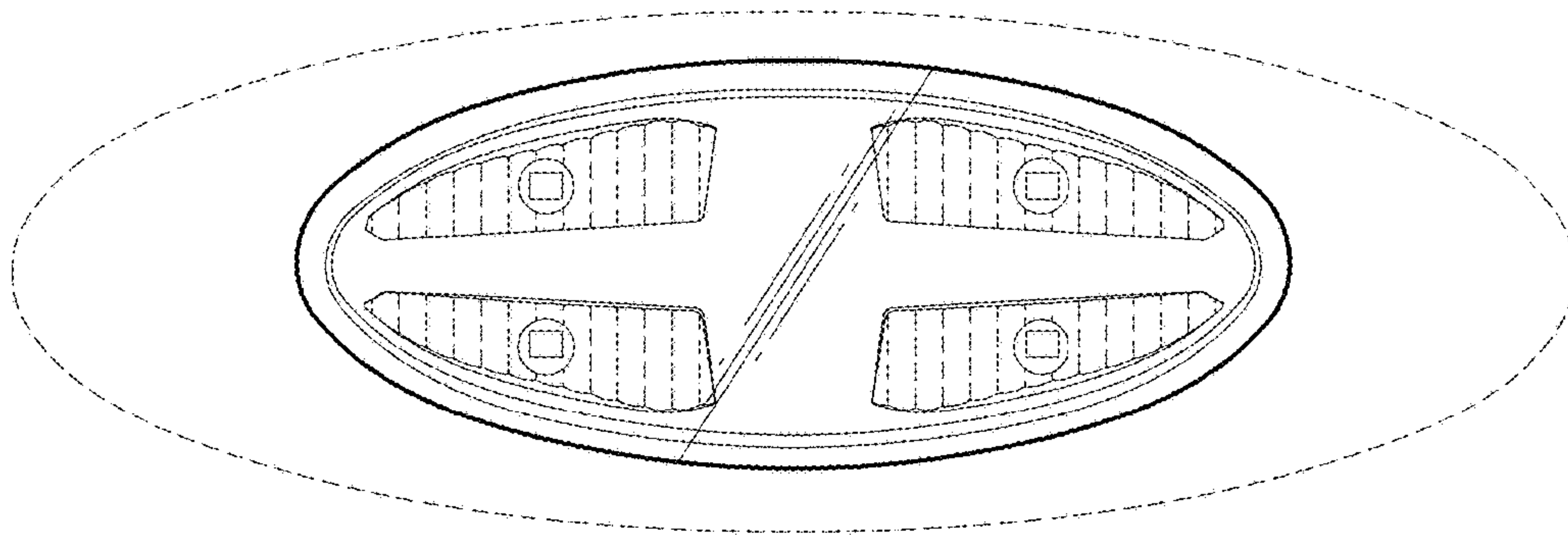
FIG. 1 is a perspective view of an vehicle universal side marker. The dash line included denotes environment and is not part of the claimed design.  
FIG. 2 is a front view thereof;  
FIG. 3 is a top view thereof; and,  
FIG. 4 is a side view thereof.

**1 Claim, 4 Drawing Sheets**

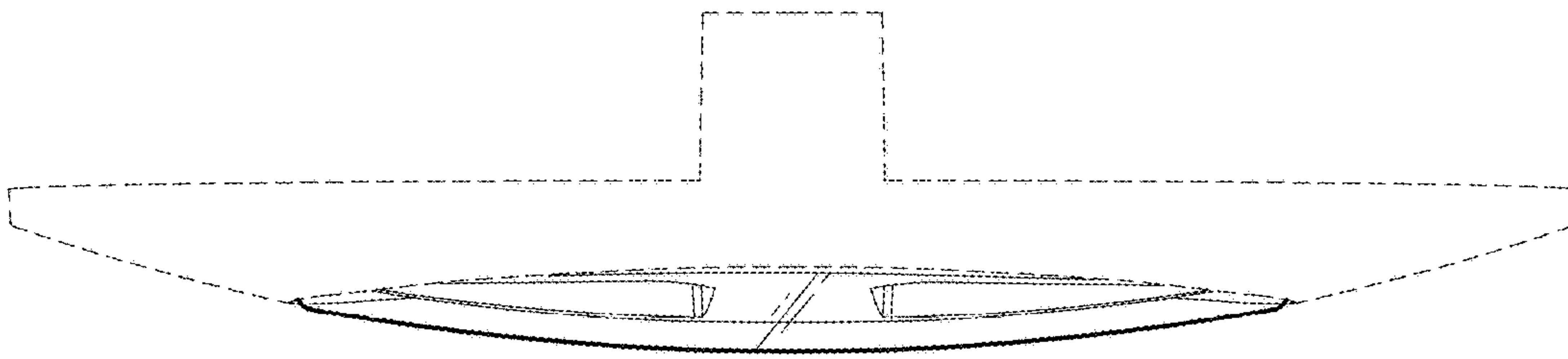




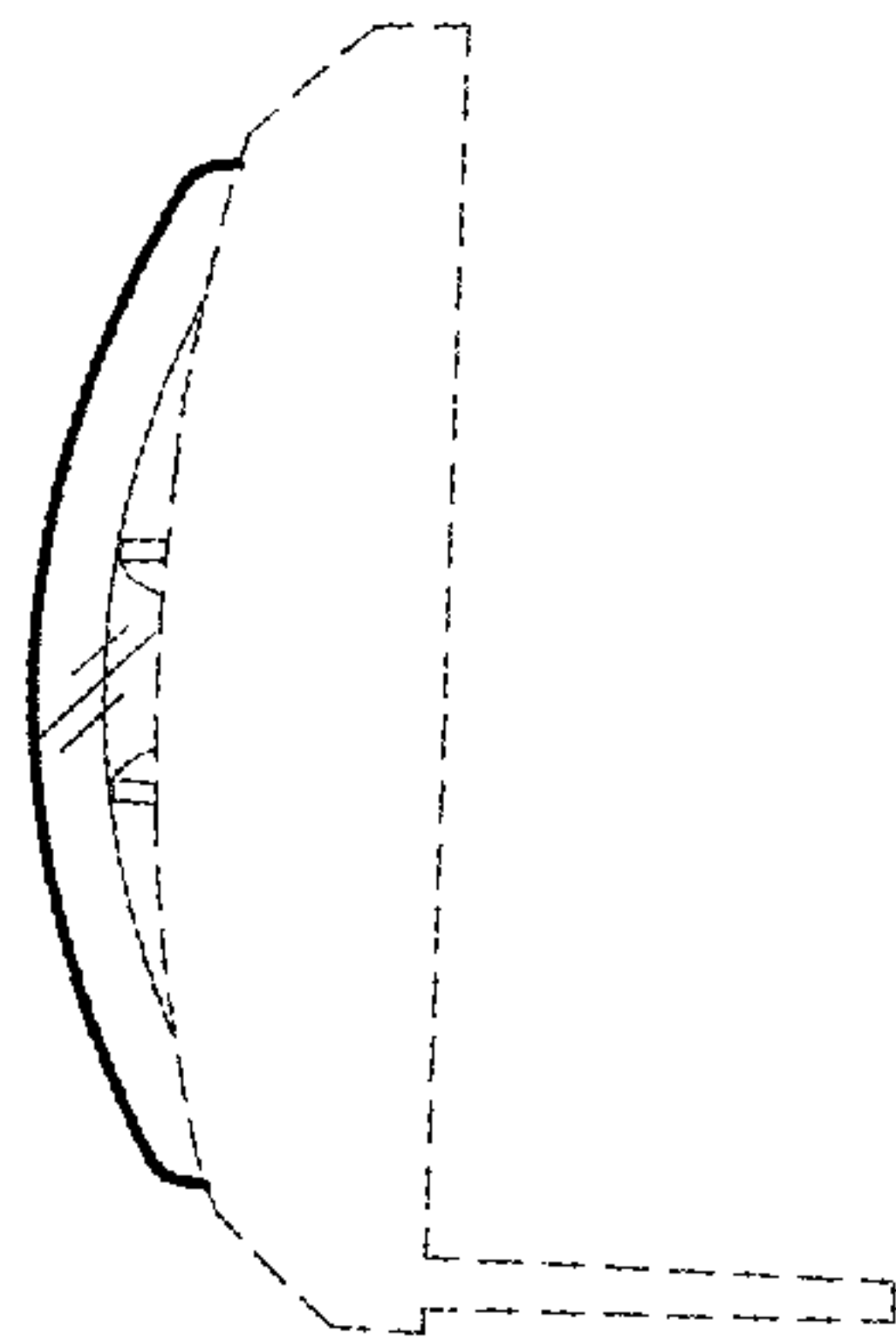
**FIG. 1**



**FIG. 2**



**FIG. 3**



**FIG. 4**