



US00D774670S

(12) **United States Design Patent** (10) **Patent No.:** **US D774,670 S**
Hanson et al. (45) **Date of Patent:** **** Dec. 20, 2016**

(54) **HEADLIGHT**

(71) Applicant: **Caterpillar Inc.**, Peoria, IL (US)

(72) Inventors: **Eric J. Hanson**, Valparaiso, IN (US);
Gregory Miller, Rochester, MI (US);
Joseph F. Denatale, Greensboro, NC (US)

(73) Assignee: **Caterpillar, Inc.**, Peoria, IL (US)

(**) Term: **15 Years**

(21) Appl. No.: **29/539,774**

(22) Filed: **Sep. 17, 2015**

D367,027 S 2/1996 Onopa
D492,628 S 7/2004 Bond et al.
D494,900 S 8/2004 Satou
D499,496 S 12/2004 Papke et al.
D518,580 S 4/2006 Tamiya et al.
D519,069 S 4/2006 Clark et al.
D531,330 S 10/2006 Takabatake
D536,113 S * 1/2007 Pfeiffer D26/28
D537,180 S * 2/2007 Hsu D26/28
D540,722 S 4/2007 Angelo et al.

(Continued)

FOREIGN PATENT DOCUMENTS

DE 40405079-0001 5/2010
DE 40405079-0002 5/2010

(Continued)

OTHER PUBLICATIONS

BMW—daytime running light, retrofit by JDM. Retrieved May 5, 2010 from <http://www.ijdmtoy.com/BLOG/wordpress/2009/11/>.

(Continued)

Primary Examiner — Marcus Jackson
(74) *Attorney, Agent, or Firm* — Finnegan, Henderson, Farabow, Garrett & Dunner, LLP

Related U.S. Application Data

(62) Division of application No. 29/478,445, filed on Jan. 6, 2014, now Pat. No. Des. 742,565, which is a division of application No. 29/439,606, filed on Dec. 13, 2012, now Pat. No. Des. 697,242, which is a division of application No. 29/381,451, filed on Dec. 20, 2010, now Pat. No. Des. 675,757.

(51) **LOC (10) Cl.** **26-06**

(52) **U.S. Cl.**
USPC **D26/28**

(58) **Field of Classification Search**
USPC D26/28-36; 362/61, 80-83, 267-269,
362/459-468, 475-478, 485-487
CPC F21S 48/00; F21S 48/10; F21S 48/115;
F21S 48/225; F21S 48/1233; F21S
48/1266; F21S 48/1388; F21S 48/2268;
F21V 5/00

See application file for complete search history.

(56) **References Cited**

U.S. PATENT DOCUMENTS

D304,569 S 11/1989 Brunger et al.
D334,630 S 4/1993 Paffrath

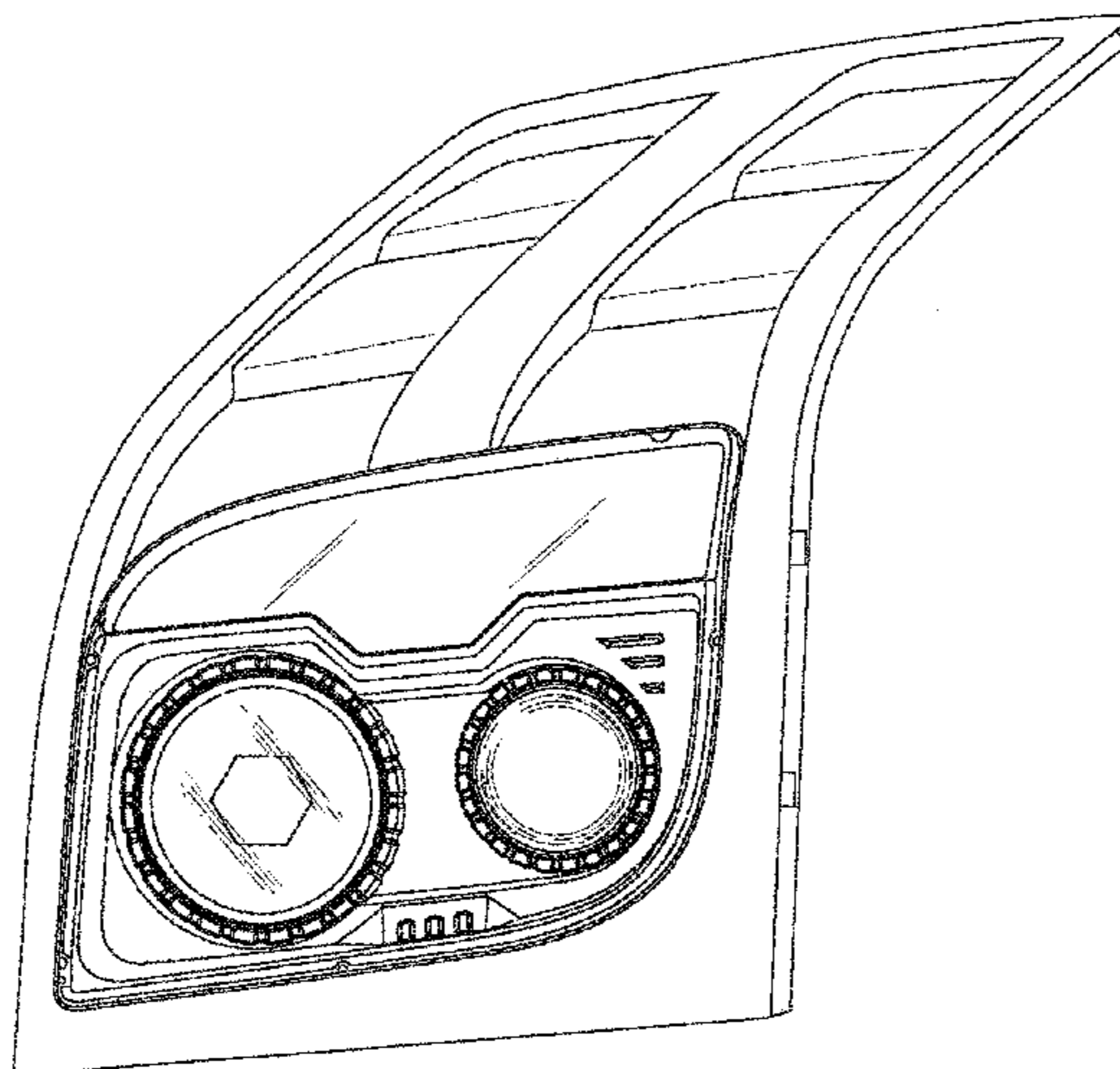
(57) **CLAIM**

The ornamental design for a headlight, as shown and described.

DESCRIPTION

FIG. 1 is a front left perspective view of a headlight showing our new design;
FIG. 2 is a left side view thereof;
FIG. 3 is a right side view thereof;
FIG. 4 is a top plan view thereof;
FIG. 5 is a front elevation view thereof;
FIG. 6 is a rear elevation view thereof; and,
FIG. 7 is a bottom view thereof.

1 Claim, 6 Drawing Sheets



(56)

References Cited

U.S. PATENT DOCUMENTS

D555,815 S	11/2007	Golden et al.	
D556,349 S	* 11/2007	Golden	D26/28
D560,573 S	1/2008	Aris et al.	
D563,576 S	3/2008	Hanaoka	
D565,758 S	4/2008	Conway et al.	
D569,020 S	5/2008	Schiavone et al.	
D571,027 S	6/2008	Suzuki et al.	
D576,765 S	9/2008	Song et al.	
D593,233 S	5/2009	Bai et al.	
D595,895 S	7/2009	Lamm	
D604,892 S	11/2009	Golden et al.	

FOREIGN PATENT DOCUMENTS

DE	40702161-0001	5/2010
DE	40702161-0002	5/2010

OTHER PUBLICATIONS

Dodge Caravan fog light—factory installed. Retrieved May 5, 2010 from http://www.dodge.com/en/2010/grand_caravan/design/styling/.

Ford F-150 fog light—aftermarket retrofit kit. Retrieved May 5, 2010 from http://www.fordf150foglights.com/Spyder/Fog-Lights/Ford-F150-Spyder-Halo-Angel-Eyes-Projector-Fog-Lights-Kit-FL_P_FF15004_HL/638069/.

Honda Accord fog light—aftermarket retrofit kit. Retrieved May 5, 2010 from <http://www.hondapartsnow.com/genuine/2003-2005-honda-accord-coupe-fog-light-kit-4183.html>.

Mazda 6 fog light—aftermarket retrofit kit. Retrieved May 5, 2010 from <http://www.mazda-6-saloon.sgpetch.co.uk/pages/accessories/detail/model=124/category=ROOTexterior/accessory=Front+Fog+Lamps/id=2299>.

Mercedes ML Class W-164 with Carlsson daytime running lights. Retrieved May 5, 2010 from <http://www.germancarscene.com/2009/09/07/carlsson-daytime-running-lights-for-the-mercedes-benz-ml-class/>.

Mitsubishi Lancer fog light—aftermarket retrofit kit, Retrieved May 5, 2010 from <http://www.mitsupartsworld.com/94-mitsubishilancer-fog-lights.html>.

Suzuki Alto fog light—factory installed. Retrieved May 5, 2010 from http://www.netcarshow.com/suzuki/2009-alto/800x600/wall-paper_04.htm.

Suzuki Swift fog light—factory installed. Retrieved May 5, 2010 from <http://www.themotorreport.com.au/48183/suzukiaustralia-announces-reduced-swift-and-alto-pricing>.

SuzukiSX4 fog light—factory installed option, Retrieved May 5, 2010 from http://www.suzuki.com.au/cars/accessories.php?model=sx4_hatch.

Toyota Camry fog light—aftermarket retrofit kit, Retrieved May 5, 2010 from http://www.connerpro.us/index.php?main_page=index&cPath=26.

Toyota Yaris sedan fog light—aftermarket retrofit kit. Retrieved May 5, 2010 from http://www.connerpro.us/index.php?main_page=index&cPath=26.

Toyota FJ Cruiser fog light—aftermarket retrofit kit. Retrieved May 5, 2010 from <http://www.4x4groupbuy.com/store/light-inserts-cruiser-bull-pi-8625.html>.

Volkswagen GTI fog light—aftermarket retrofit kit (by Helia). Retrieved May 5, 2010 from <http://www.myfastgti.com/volkswagen/showthread.php/euro-switchcoming-home-feature-auto-6686.html?s=f3b97798f6d3a46018d2718246998bcb&>.

A selection of sidemarker designs. Retrieved May 5, 2010 from http://www.ep.yimg.com/ca/1/twincamtech_2102_52373642.

Sidemarkers for a Volkswagen, made by Hella. Retrieved May 5, 2010 from http://www.fastvws.com/acatalog/copy_of_copy_of_copy_of_copy_of_MK3.html#a2112.

Porsche Carrera S 05 side marker. Retrieved May 5, 2010 from http://www.koperformance.com/online_ordering/show_part/183539-9976310370-100.

Porsche Boxster S side Marker. Retrieved May 5, 2010 from http://www.koperformance.com/online_ordering/show_part/182761-98763103401-100.

Wesbar side marker—PN 003250. Retrieved May 5, 2010 from <http://www.wesbar.com/product/details.asp?ProdID=003250&cat=8480>.

Porsche 1987 944S turn signal lamp. Retrieved May 5, 2010 from <http://www.koperformance.com/catalog/POR/1988/7999-944S-S2/L2/2017-Turn-Signal-Light.html>.

Mazda RX-8 aftermarket side marker. Retrieved May 5, 2010 from <http://www.rotaryfx.com/Photogallery.asp?ProductCode=LIG1048>.

Infiniti G35 side marker. Retrieved May 5, 2010 from <http://www.g35driver.com/forums/attachments/Interior-exterior/51908d1157232622-new-amber-side-markerssidemarker.jpg>.

Nissan Side Marker—aftermarket retrofit. Retrieved May 6, 2010 from http://www.frspport.com/Genuine-OEM-Nissan-Silvia-Side-Marker-Lights_p_1397.html.

Volvo side marker (for XC70). Retrieved May 6, 2010 from <http://www.discountvoparts.com/volvo-side-marker>.

Universal car side marker. Retrieved May 6, 2010 from <http://www.lightinthebox.com/productvote/57568-76903>.

Geo Prism turn side turn signal. Retrieved May 6, 2010 from http://www.store.justparts.com/NORDSTROMS/PartFinder/5_50_7_Geo_14_NORDSTROMS_20_1_39_New-Aftermarket_21_7_35_5.21.

Kia Optima side marker. Retrieved May 6, 2010 from <http://www.usedautopartdepot.com/Vehicle-Parts.php?m=KIA&n+Turn+%20Signal%20Light>.

BMW Z3 side marker. Retrieved May 6, 2010 from <http://www.home.comcast.net/~3rdRock/BMW/Roadster/ModPx/index.html>.

* cited by examiner

FIG. 1

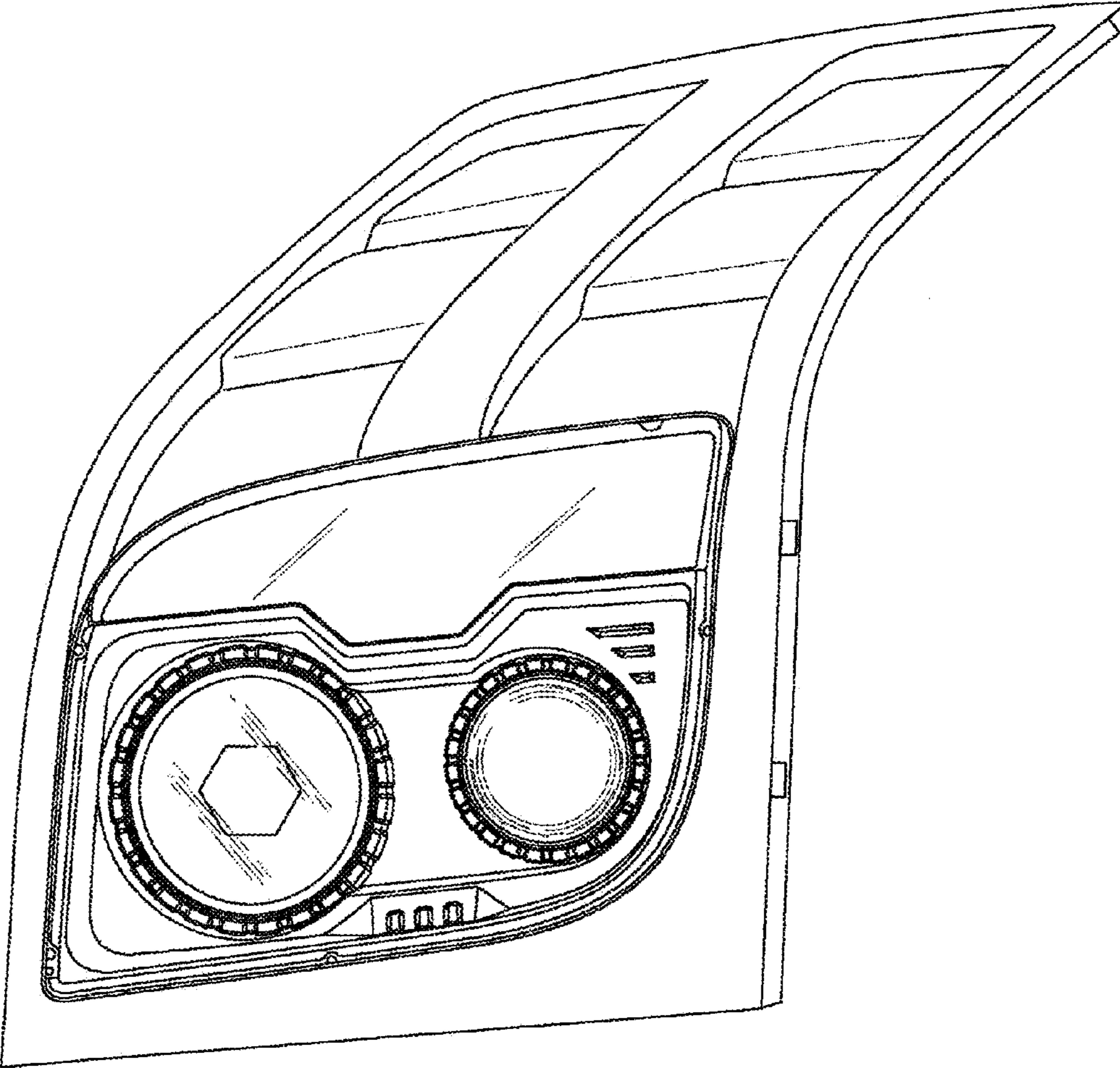


FIG. 2

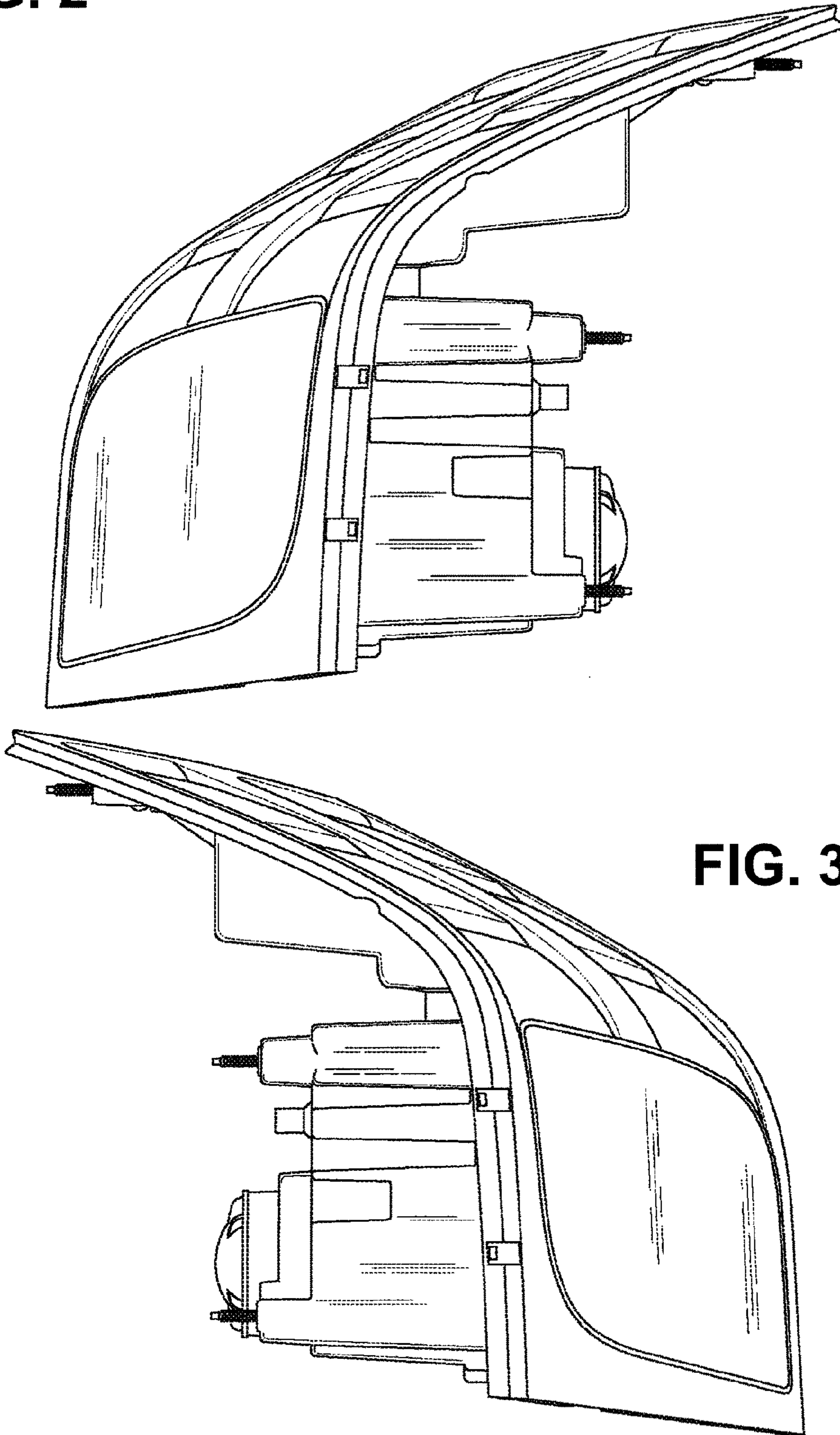


FIG. 3

FIG. 4

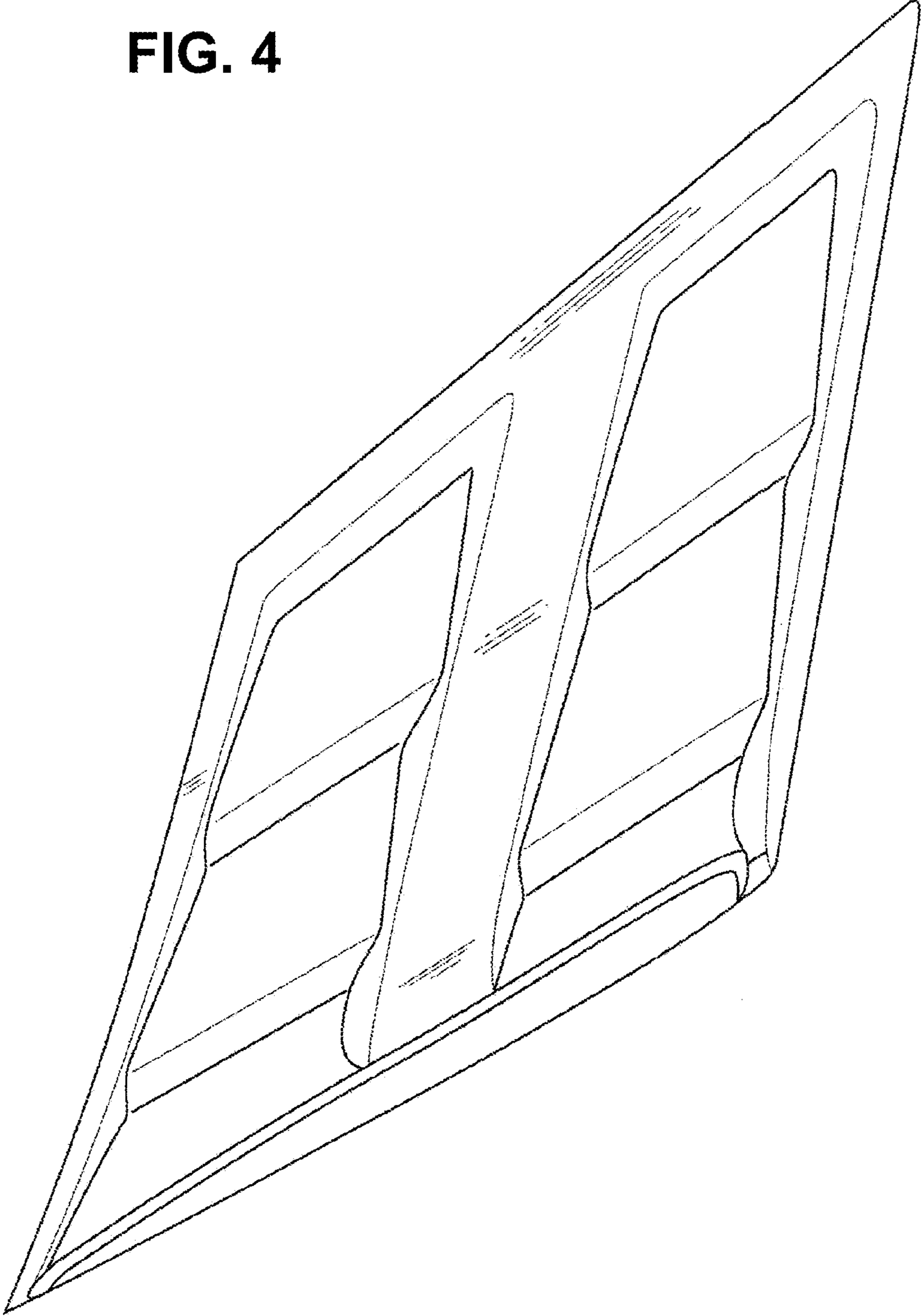


FIG. 5

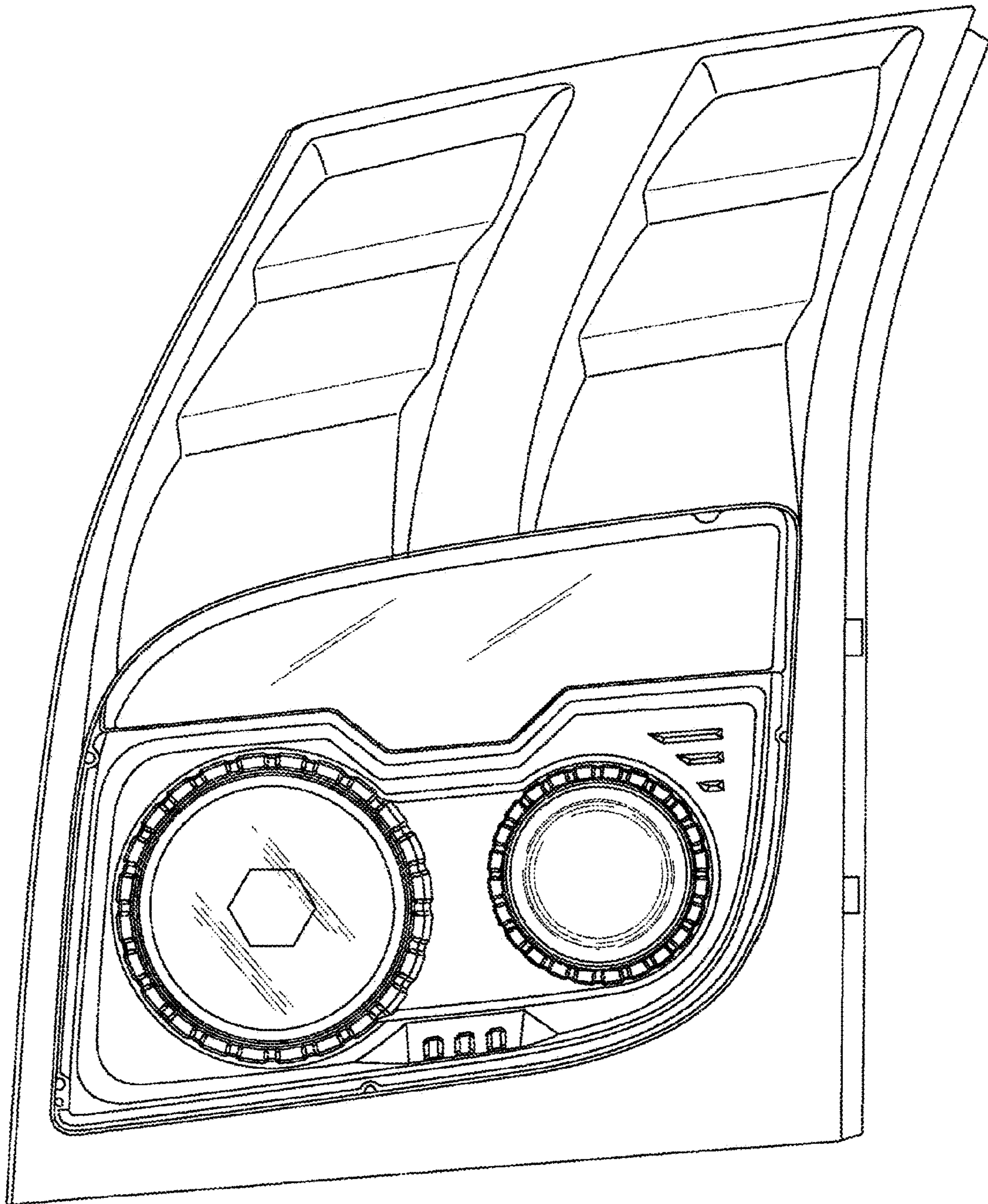


FIG. 6

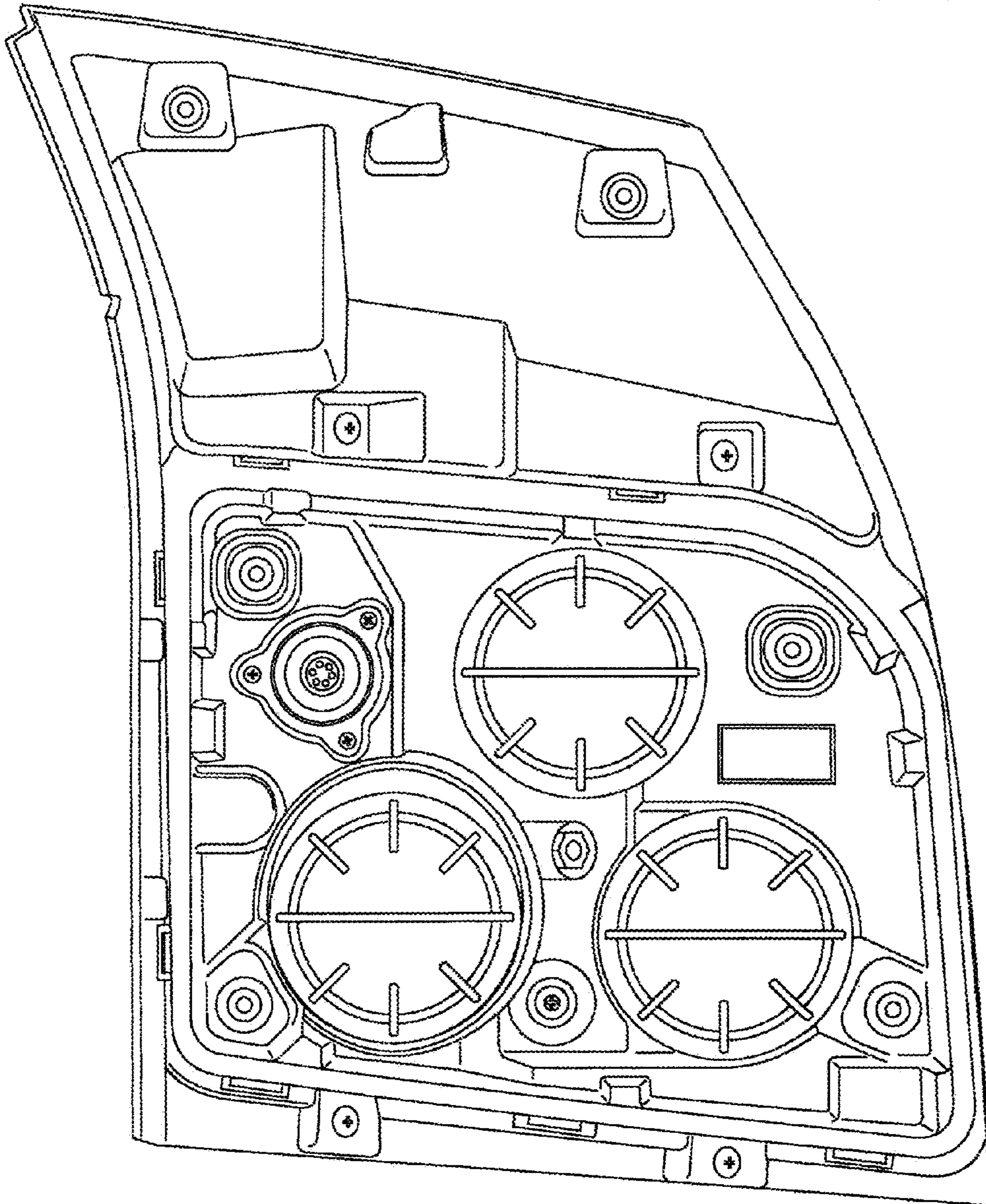


FIG. 7

