



US00D774669S

(12) **United States Design Patent**
Lai

(10) **Patent No.:** **US D774,669 S**

(45) **Date of Patent:** **** Dec. 20, 2016**

- (54) **AUTOMOBILE FRONT LIGHT**
- (71) Applicant: **Ching-Tsung Lai**, Tainan (TW)
- (72) Inventor: **Ching-Tsung Lai**, Tainan (TW)
- (**) Term: **15 Years**
- (21) Appl. No.: **29/534,436**
- (22) Filed: **Jul. 28, 2015**
- (51) **LOC (10) Cl.** **26-06**
- (52) **U.S. Cl.**
USPC **D26/28**
- (58) **Field of Classification Search**
USPC D26/28-36; 362/459-468, 475-478,
362/485-487
CPC F21S 48/00; F21S 48/10; F21S 48/115;
F21S 48/225; F21S 48/1233; F21S
48/1266; F21S 48/1388; F21S 48/2268;
F21V 21/04
See application file for complete search history.

D674,941 S *	1/2013	Lai	D26/28
D691,298 S *	10/2013	Binder	D26/28
D737,484 S *	8/2015	Lai	D26/28
D743,071 S *	11/2015	Kao	D26/28
D750,818 S *	3/2016	Lin	D26/28
D751,737 S *	3/2016	Lai	D26/28
D757,315 S *	5/2016	Binder	D26/28
D761,463 S *	7/2016	Lai	D26/28

* cited by examiner

Primary Examiner — Angela J Lee

(57) **CLAIM**

The ornamental design for automobile front light, as shown and described.

DESCRIPTION

FIG. 1 is a perspective view of an automobile front light; FIG. 2 is a front view thereof; FIG. 3 is a side view thereof; and, FIG. 4 is a top view thereof.

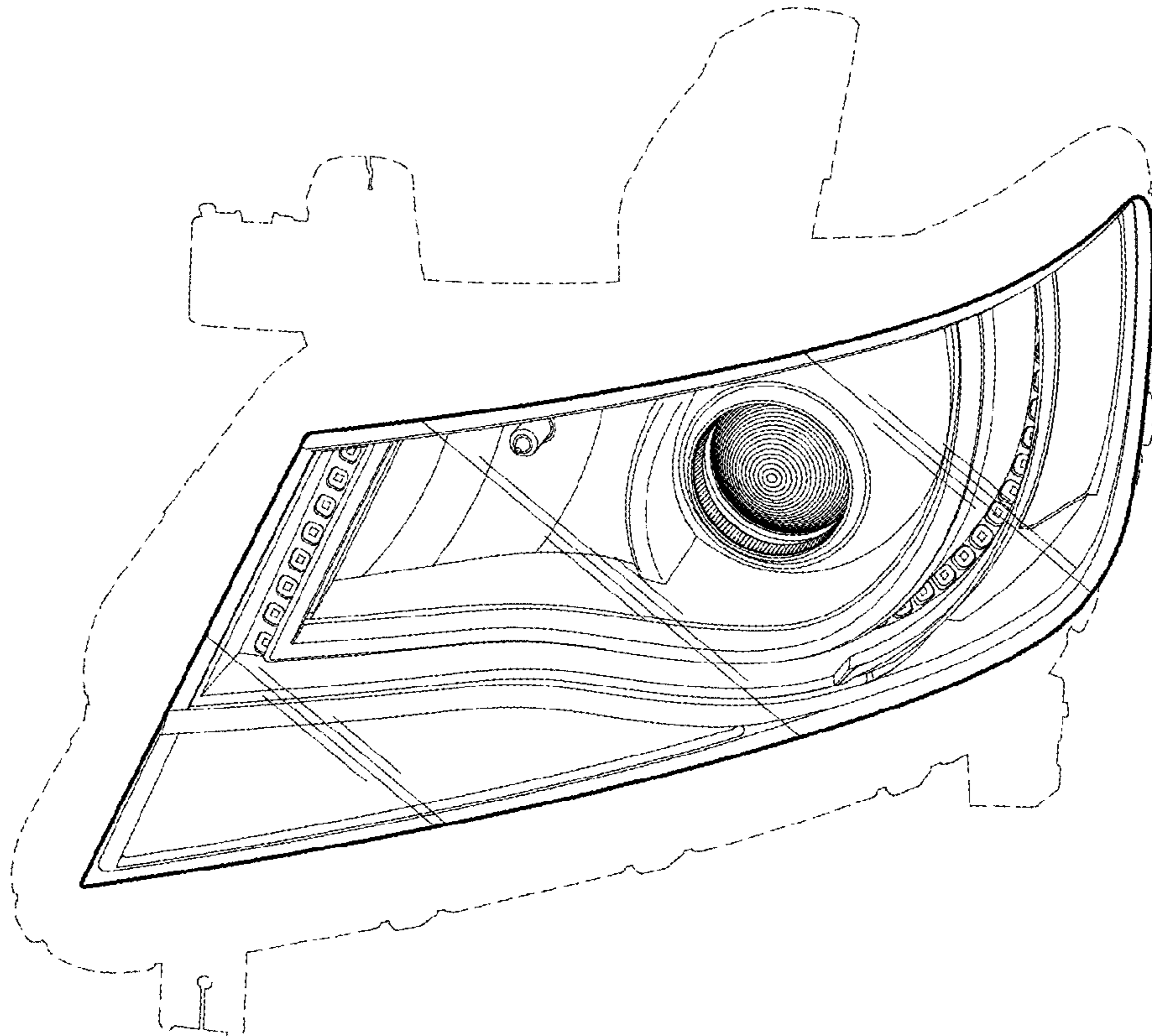
The broken lines are included to show environmental structure and form no part of the claimed design. The drawings and descriptions represent the left side embodiment. The claim is also for a mirror image right side embodiment.

1 Claim, 4 Drawing Sheets

(56) **References Cited**

U.S. PATENT DOCUMENTS

D586,019 S *	2/2009	Hsu	D26/28
D674,938 S *	1/2013	Lai	D26/28



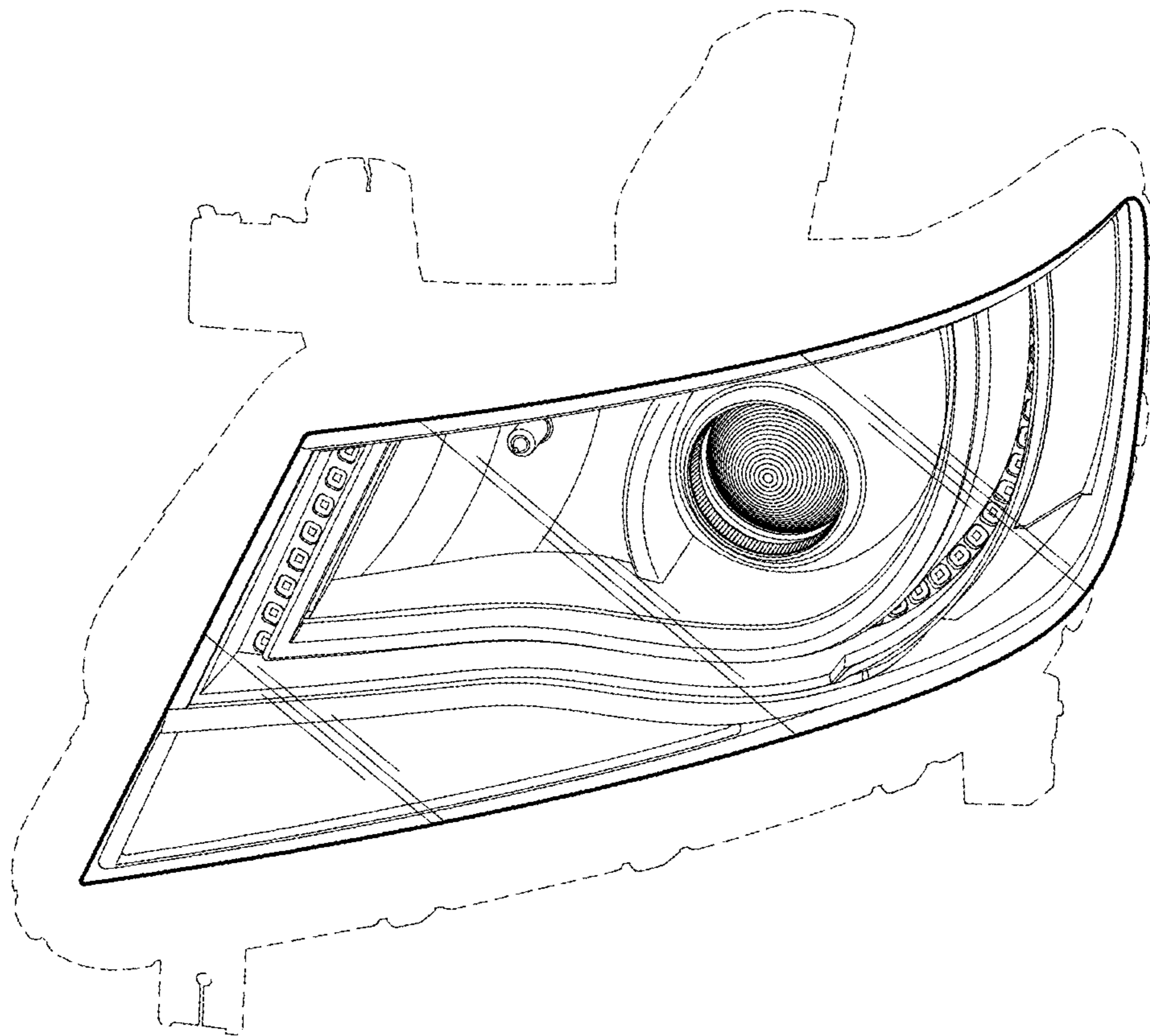


FIG. 1

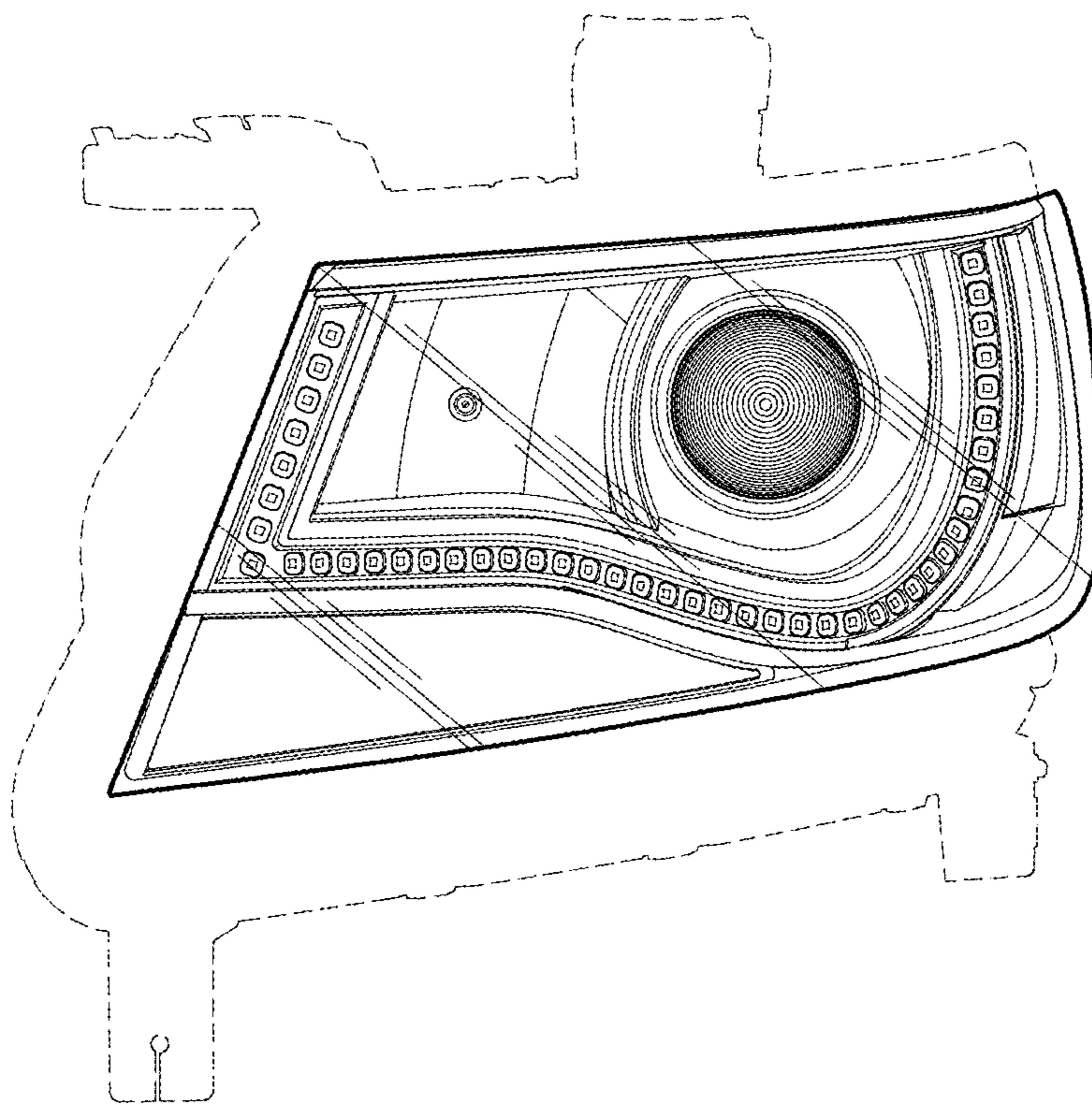


FIG. 2

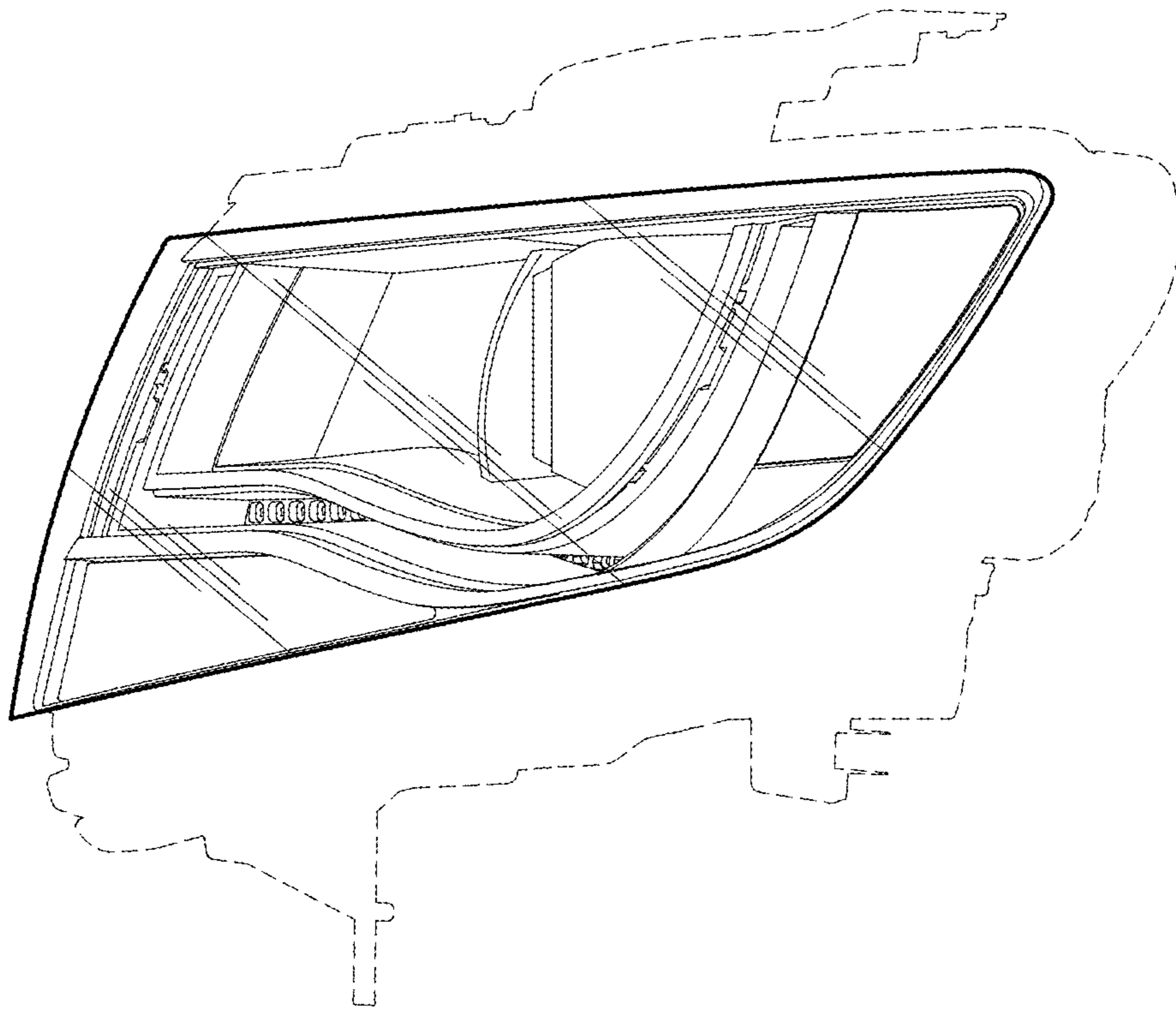


FIG. 3

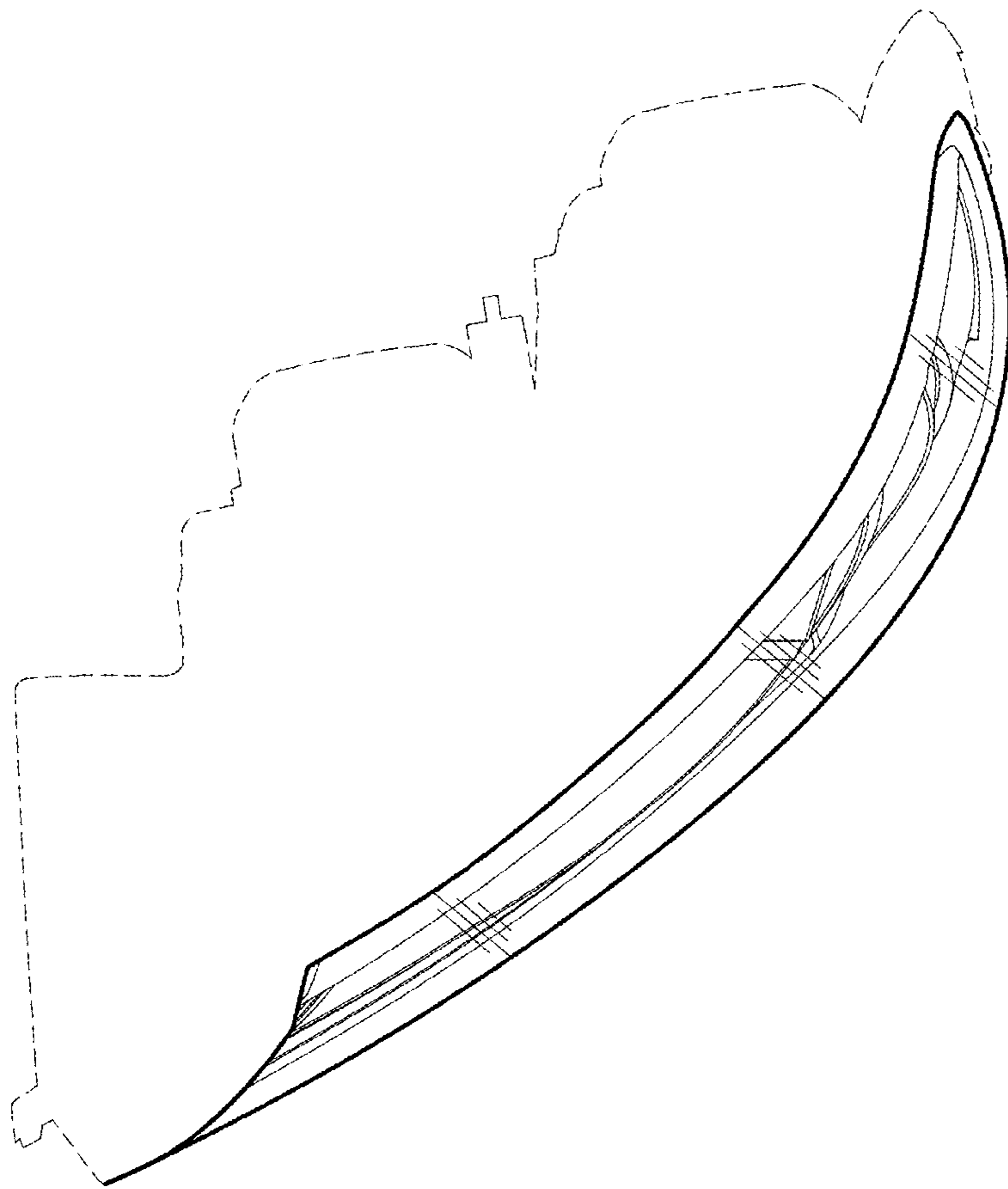


FIG. 4