



US00D774668S

(12) **United States Design Patent**  
**Ellis et al.**

(10) **Patent No.:** **US D774,668 S**

(45) **Date of Patent:** **\*\* Dec. 20, 2016**

(54) **LAMP STRUCTURES**

(71) Applicant: **RGF ENVIRONMENTAL GROUP, INC.**, Riviera Beach, FL (US)

(72) Inventors: **Walter B. Ellis**, Jupiter, FL (US);  
**Sergei Chtchavelev**, Greenacres, FL (US)

(73) Assignee: **RGF ENVIRONMENTAL GROUP, INC.**, Riviera Beach, FL (US)

(\*\*) Term: **15 Years**

(21) Appl. No.: **29/537,805**

(22) Filed: **Aug. 28, 2015**

(51) **LOC (10) Cl.** ..... **26-04**

(52) **U.S. Cl.**  
USPC ..... **D26/3**

(58) **Field of Classification Search**  
USPC ..... D26/1-4; 313/313, 315, 316, 317, 318,  
313/493; 315/52, 53, 56, 57, 58  
CPC ..... F21K 9/13; F21K 9/135; F21K 9/1375;  
H01J 5/48; H01J 5/50; H01J 19/54; F21V  
5/00

See application file for complete search history.

(56) **References Cited**

**U.S. PATENT DOCUMENTS**

D506,274 S \* 6/2005 Moriyama ..... D26/24

D537,547 S \* 2/2007 Iida ..... D26/3  
7,704,463 B2 4/2010 Willette  
D636,504 S \* 4/2011 Duster ..... D26/3

\* cited by examiner

*Primary Examiner* — Marcus Jackson

(74) *Attorney, Agent, or Firm* — Rothwell, Figg, Ernst & Manbeck, P.C.

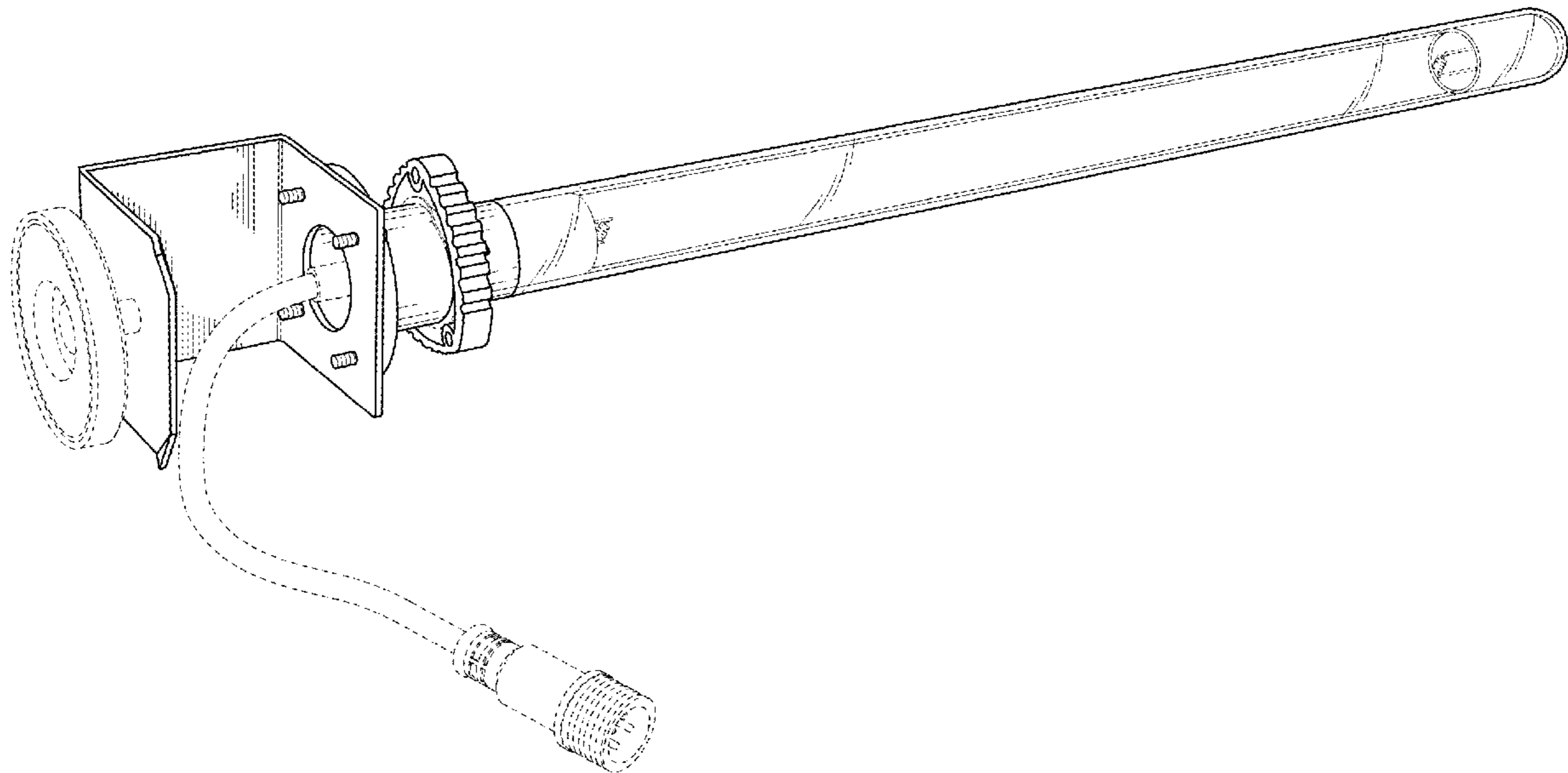
(57) **CLAIM**

The ornamental design for a lamp structure, as shown and described.

**DESCRIPTION**

FIG. 1 shows a perspective view of the lamp structures; FIG. 2 shows a top side elevation view thereof; FIG. 3 shows a front plan view thereof; FIG. 4 shows a rear plan view thereof; FIG. 5 shows a left side elevation view thereof; FIG. 6 shows a right side elevation view thereof; FIG. 7 shows a bottom side elevation view thereof; and, FIG. 8 shows an exploded view thereof. The broken lines of FIG. 1 to FIG. 8 illustrate portions of the lamp structures that form no part of the claimed design.

**1 Claim, 6 Drawing Sheets**



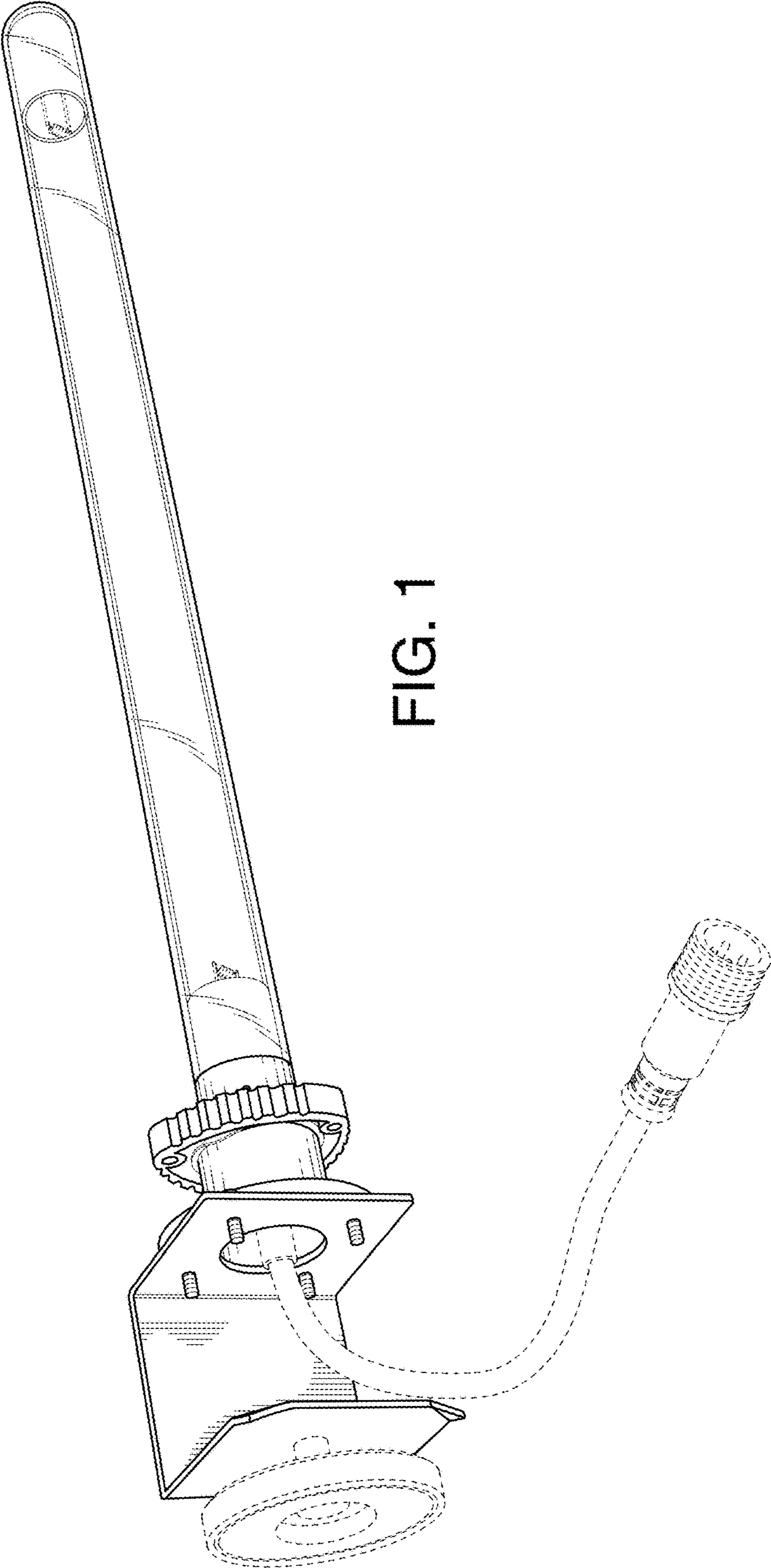


FIG. 1

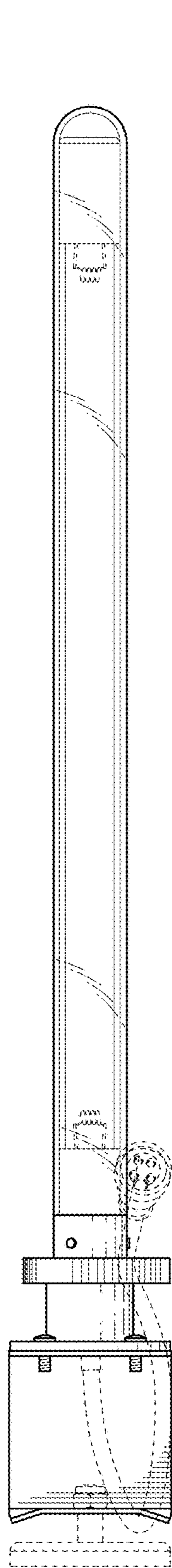


FIG. 2

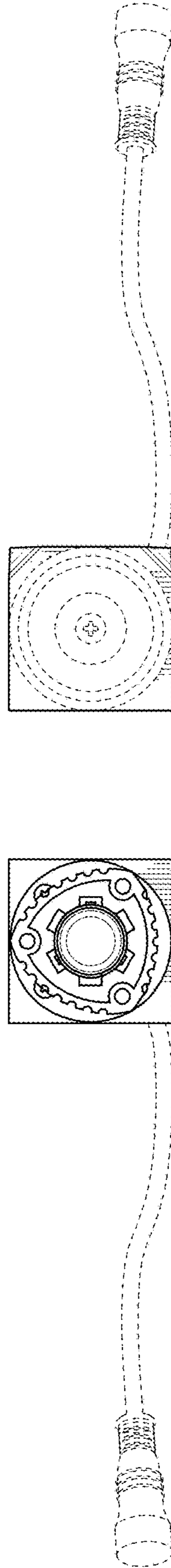


FIG. 3

FIG. 4

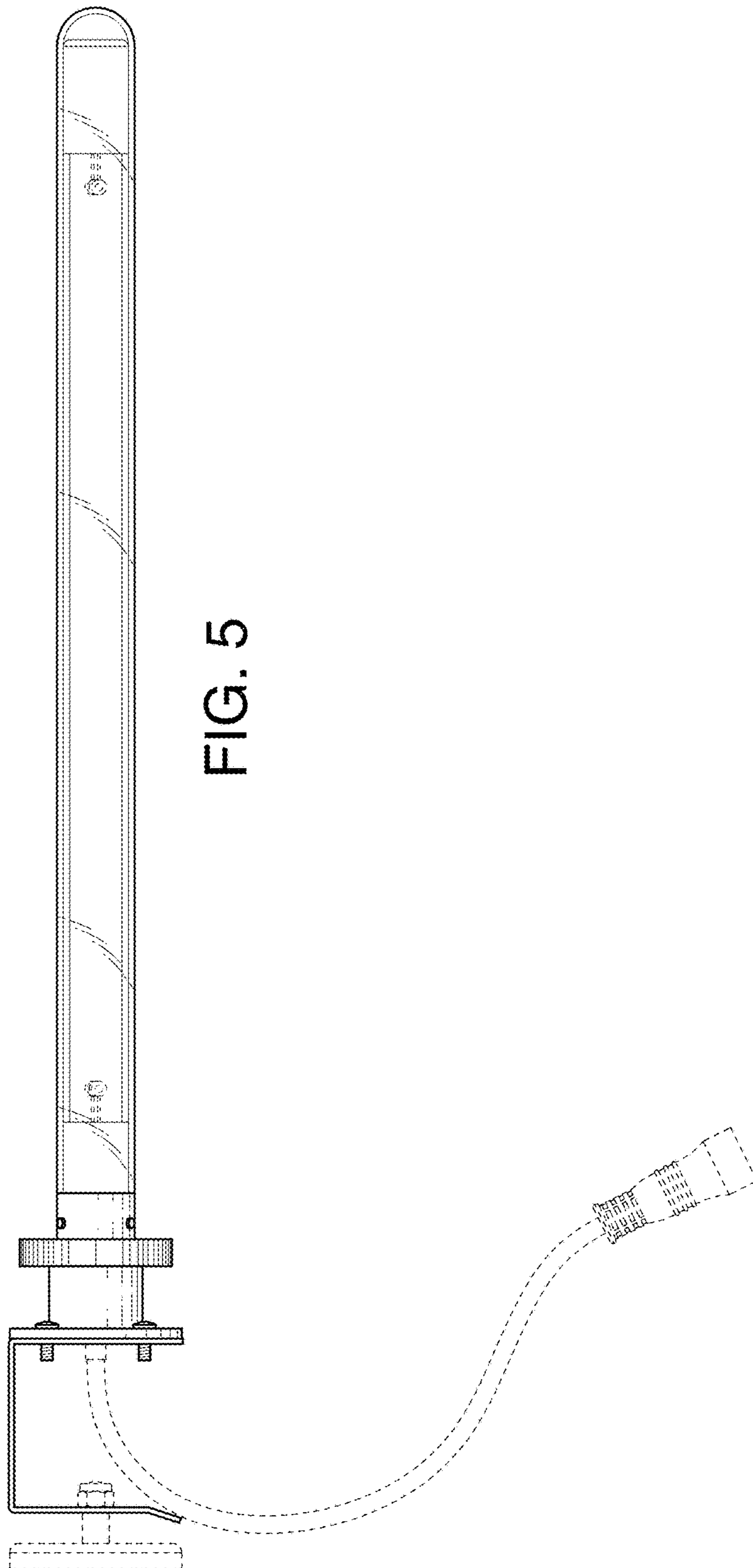


FIG. 5

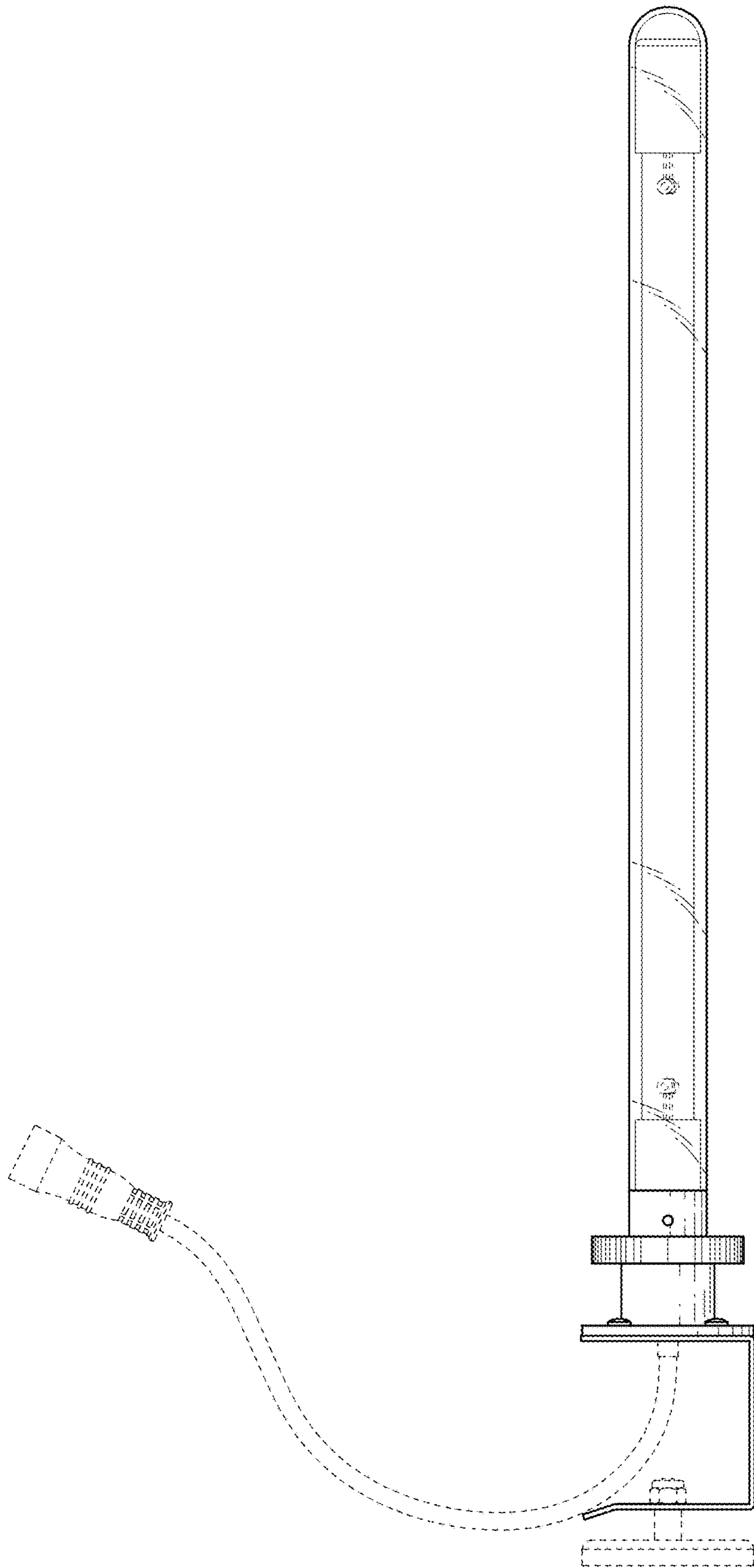


FIG. 6

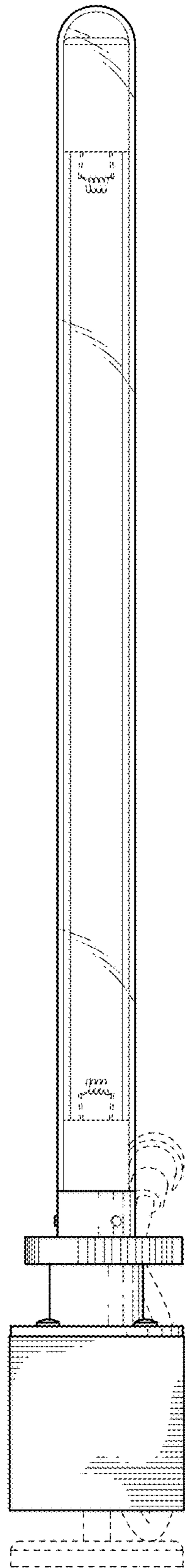


FIG. 7

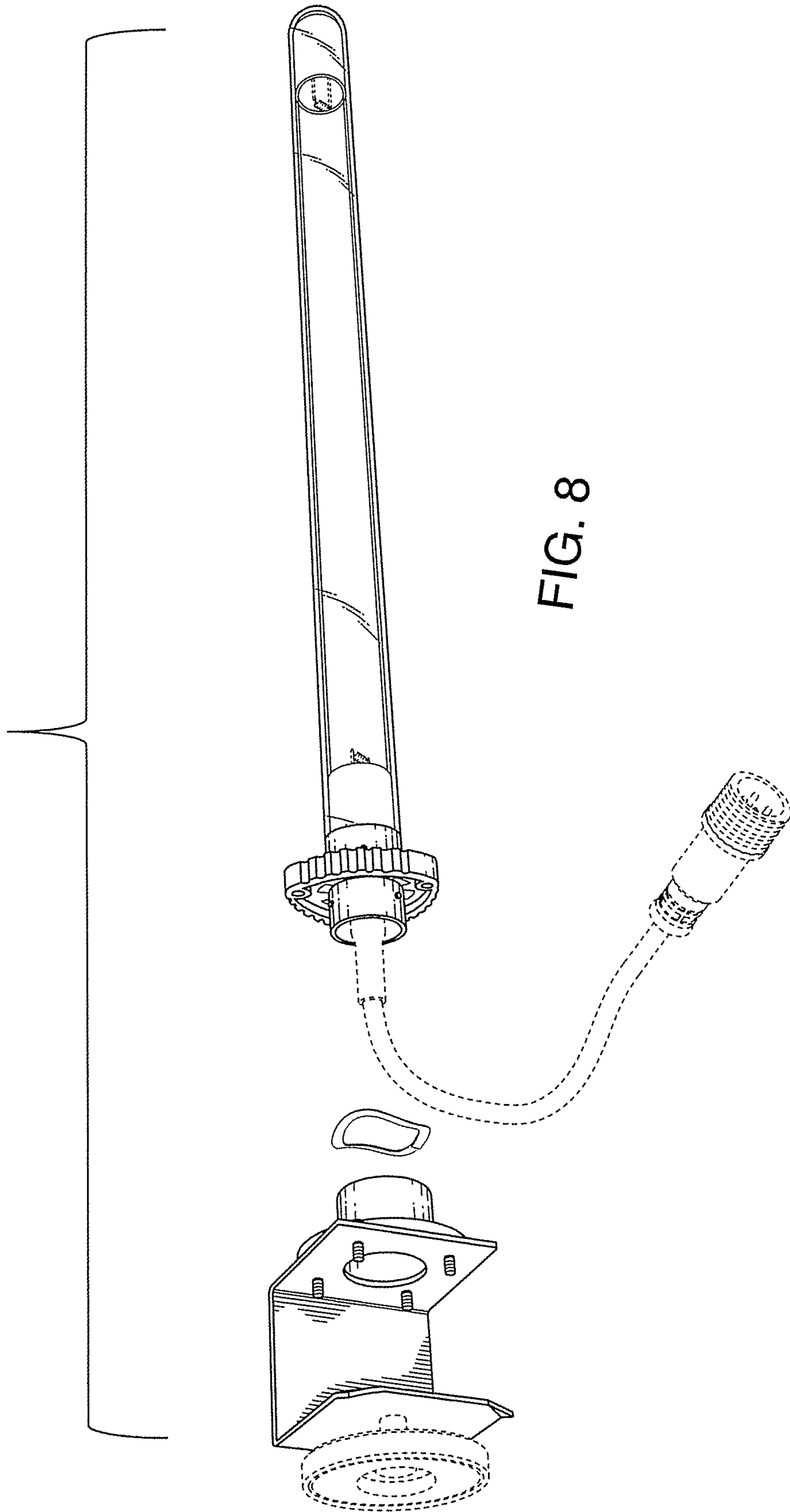


FIG. 8