



US00D774665S

(12) **United States Design Patent**
Davis

(10) **Patent No.:** **US D774,665 S**
(45) **Date of Patent:** **** Dec. 20, 2016**

- (54) **BACK PANEL OF A FAUX FACADE**
- (71) Applicant: **Genstone Enterprises, LLC**, Littleton, CO (US)
- (72) Inventor: **Bill Davis**, Littleton, CO (US)
- (73) Assignee: **Genstone Enterprises, LLC**, Littleton, CO (US)

2,556,884 A * 6/1951 Muller E04B 1/8409
181/290
2,904,673 A * 9/1959 Guth, Sr. F21V 5/00
362/330
D198,253 S * 5/1964 Roth D5/53
3,498,405 A * 3/1970 Charpentier E04B 1/8409
181/291
3,834,487 A * 9/1974 Hale E04B 1/86
181/292

(Continued)

(**) Term: **15 Years**

FOREIGN PATENT DOCUMENTS

(21) Appl. No.: **29/532,271**

CN 302374536 * 3/2013
CN 302374537 * 3/2013

(22) Filed: **Jul. 3, 2015**

Primary Examiner — Vy Koenig

(51) **LOC (10) Cl.** **25-01**

Assistant Examiner — Kimberly Barnes

(52) **U.S. Cl.**
USPC **D25/160**

(74) *Attorney, Agent, or Firm* — Trenner Law Firm, LLC;
Mark D. Trenner

(58) **Field of Classification Search**
USPC D25/42, 138, 139, 140, 141, 143, 144,
D25/145, 146, 147, 148, 149, 151, 152,
D25/153, 154, 155, 156, 157, 158, 159,
D25/160, 161, 162, 163, 142, 114, 115,
D25/118

(57) **CLAIM**

The ornamental design for a back panel of a faux façade, as shown and described.

CPC E04B 2001/2481; E04B 5/00; E04B 1/84;
E04B 1/8404; E04B 1/8409; E04B 9/00;
E04B 2001/1984; E04B 1/86; E04B
2001/2484; E04B 2001/8414; E04B
2001/848; E04B 9/22; E04B 9/225; E04B
9/24; E04B 9/242; A01K 1/0151; E04C
5/04; F24D 3/142; F24D 3/147; G10K
11/172; E01C 11/24; E04F 13/00; E04F
13/0871

DESCRIPTION

See application file for complete search history.

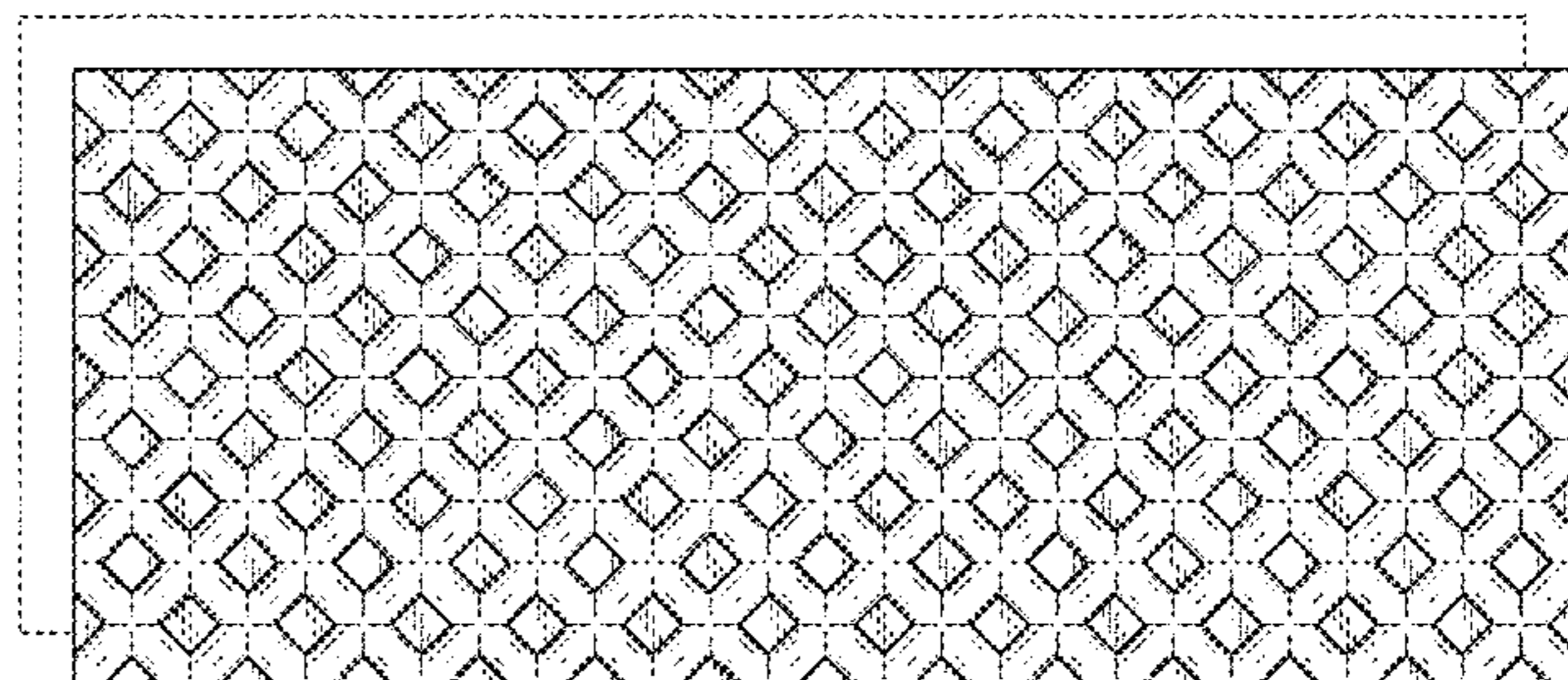
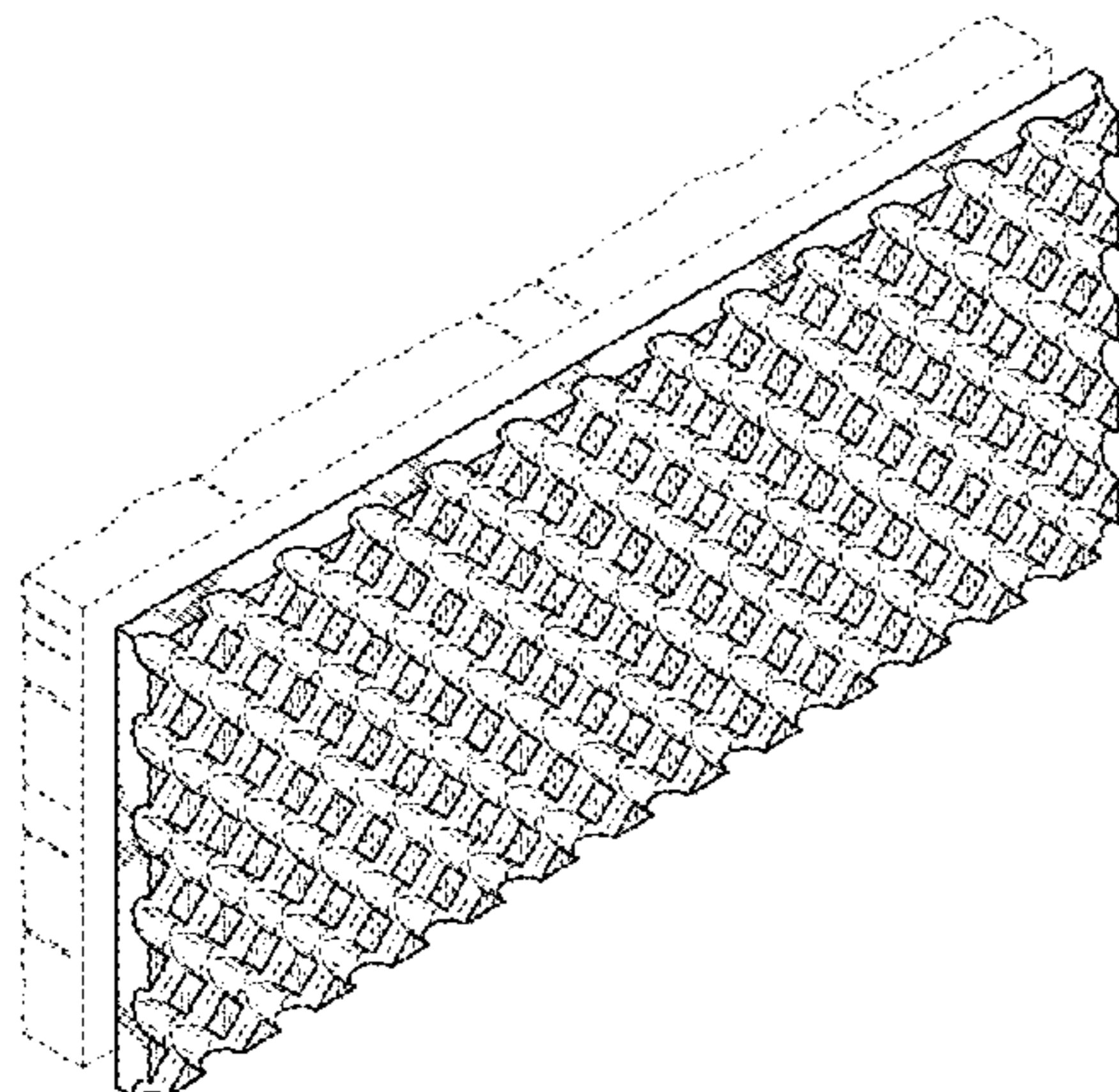
FIG. 1 is a rear perspective view of the faux facing back panel design;
FIG. 2 is a rear elevation view of the design corresponding to FIG. 1;
FIG. 3 is a top plan view of the design corresponding to FIG. 1;
FIG. 4 is a bottom plan view of the design corresponding to FIG. 1;
FIG. 5 is a left-side elevation view of the design corresponding to FIG. 1;
FIG. 6 is a right-side elevation view of the design corresponding to FIG. 1; and,
FIG. 7 is a front elevation view showing an example faux facing such as a faux brick or faux stone.
The broken lines illustrating a faux façade is environmental subject matter that forms no part of the claimed design.

(56) **References Cited**

U.S. PATENT DOCUMENTS

D39,185 S * 3/1908 Brogan et al. D25/103
2,280,631 A * 4/1942 Coffey A01B 15/02
181/293
2,481,046 A * 9/1949 Scurlock E04C 2/3405
219/78.12

1 Claim, 5 Drawing Sheets



(56)

References Cited

U.S. PATENT DOCUMENTS

4,555,433 A * 11/1985 Jablonka G10K 11/172
 181/284
 D286,575 S * 11/1986 Saunders D25/156
 4,631,221 A * 12/1986 Disselbeck B29C 51/00
 428/166
 5,201,154 A * 4/1993 Thomas A01G 1/08
 428/180
 5,665,943 A * 9/1997 D'Antonio E04B 1/86
 181/286
 5,689,990 A * 11/1997 Deeley B29C 59/04
 52/630
 D438,095 S * 2/2001 Berger D8/402
 D438,784 S * 3/2001 Berger D8/402
 6,500,543 B2 * 12/2002 Sakai B44C 3/048
 264/1.7
 6,939,599 B2 * 9/2005 Clark B32B 3/30
 428/178
 D570,503 S * 6/2008 Leier D25/156
 7,594,365 B2 * 9/2009 Kang F24D 3/142
 181/168
 8,215,451 B2 * 7/2012 Nishimura G10K 11/172
 181/198
 8,617,715 B2 * 12/2013 Shively A47H 23/08
 428/131
 9,174,722 B2 * 11/2015 Savian B64C 1/066
 2006/0035058 A1 * 2/2006 Ogawa B32B 3/12
 428/131
 2009/0230113 A1 * 9/2009 Batori F24D 3/142
 219/213
 2010/0307867 A1 * 12/2010 Ogawa B32B 3/18
 181/288

* cited by examiner

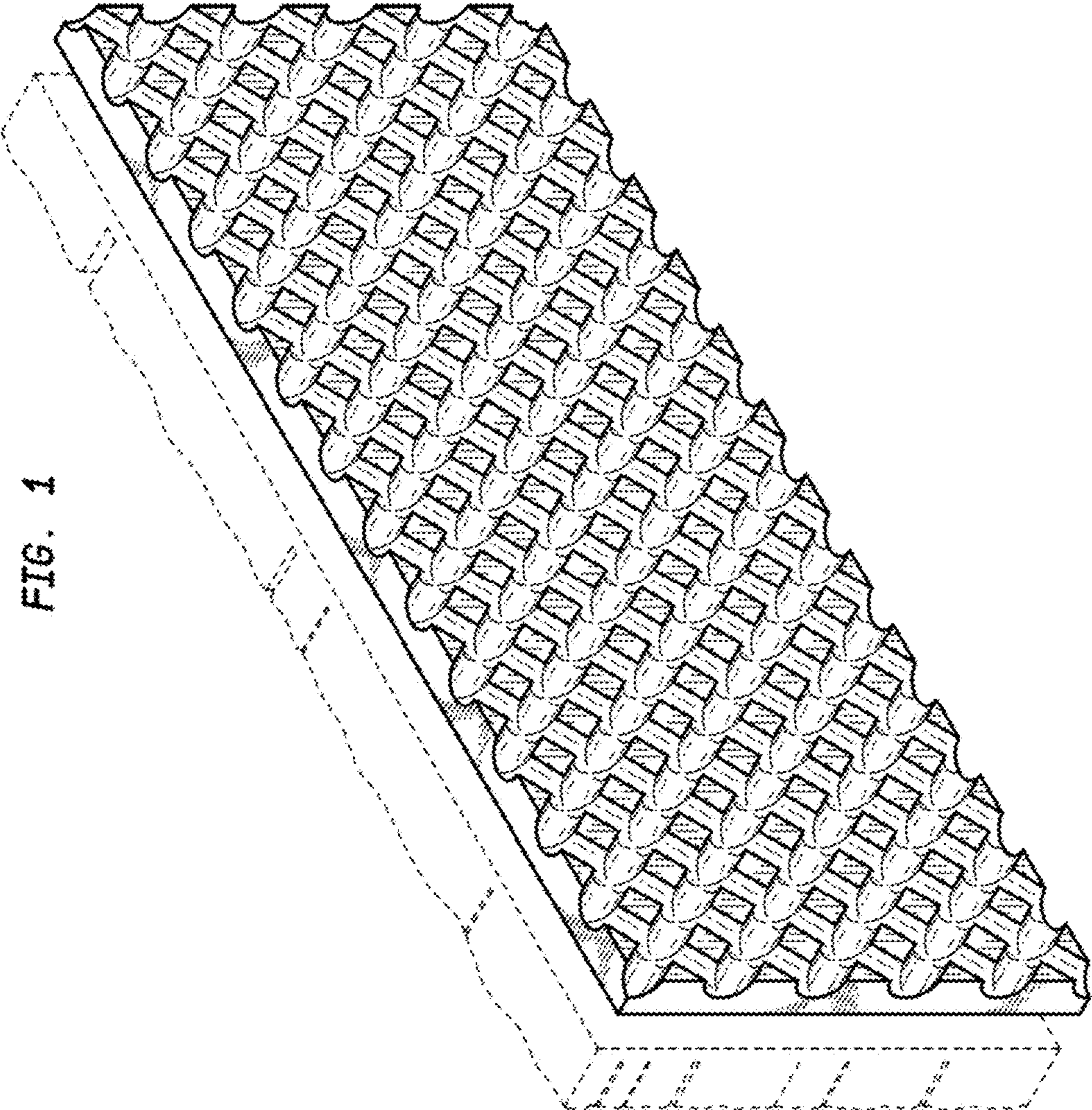


FIG. 1

FIG. 2

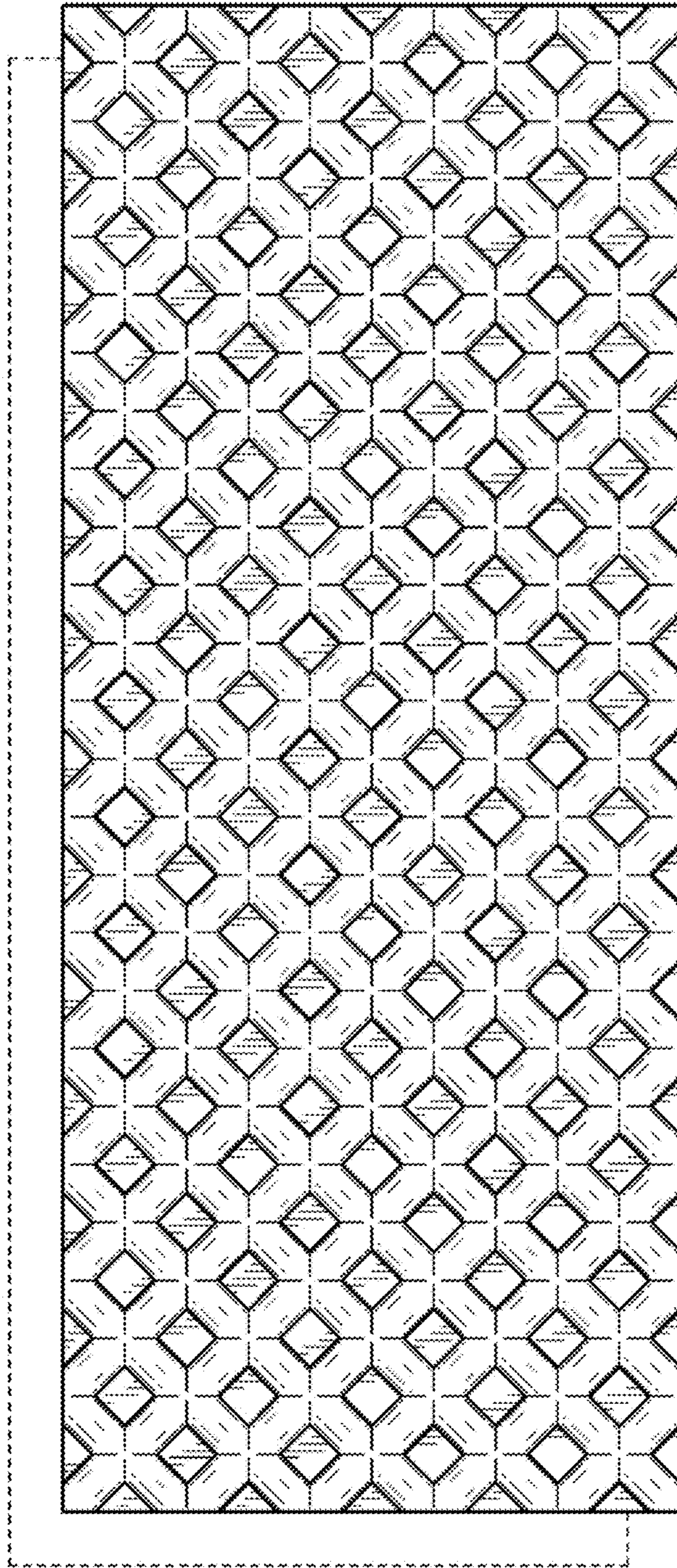


FIG. 3

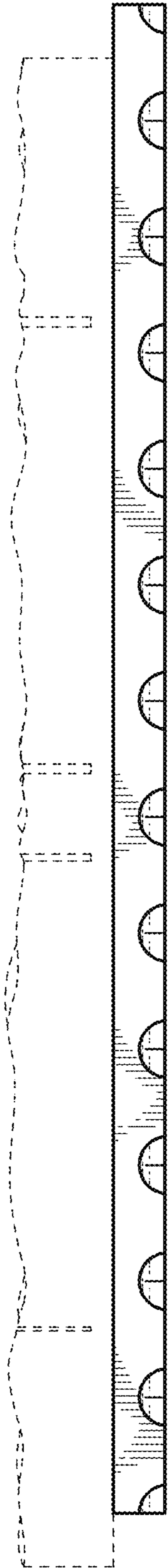


FIG. 4

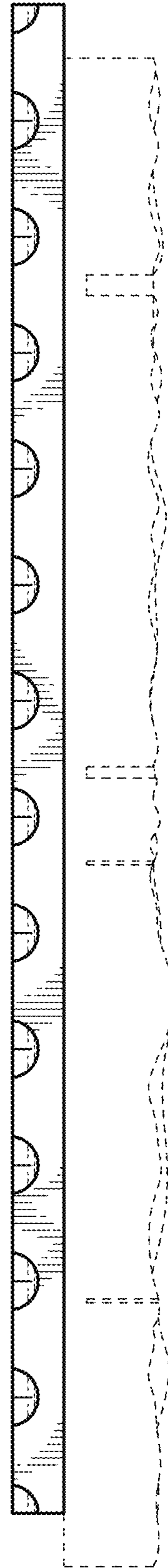


FIG. 5

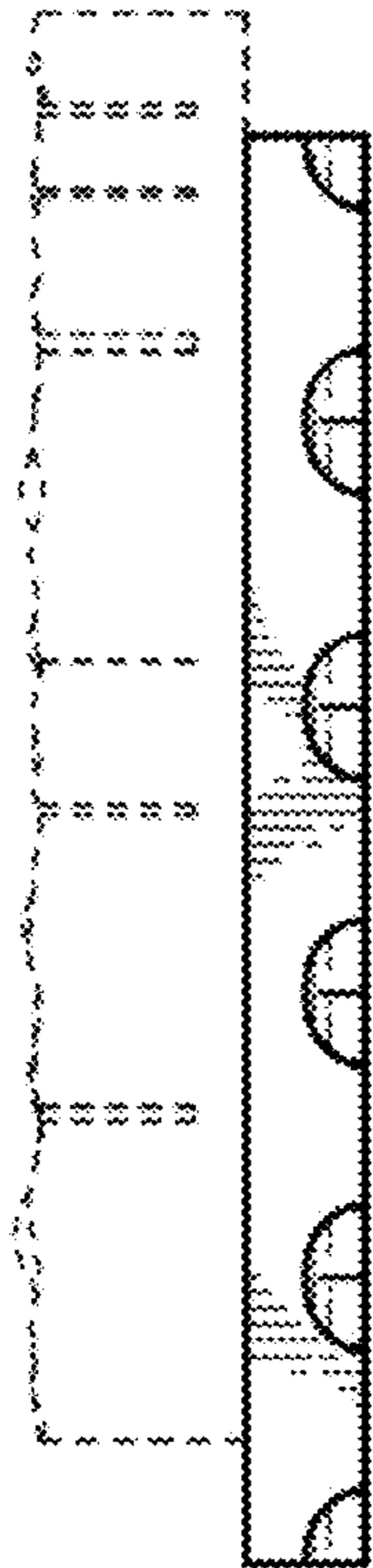


FIG. 6



FIG. 7

