



US00D774664S

(12) **United States Design Patent**
Rodrigues et al.

(10) **Patent No.:** **US D774,664 S**

(45) **Date of Patent:** **** Dec. 20, 2016**

(54) **SHAKE SHINGLE**

(75) Inventors: **Tommy F. Rodrigues**, Nutley, NJ (US);
Adem Chich, Kearny, NJ (US); **Emily Cavanagh**, Hoboken, NJ (US); **Fred Sieling**, Bound Brook, NJ (US)

(73) Assignee: **BUILDING MATERIALS INVESTMENT CORPORATION**,
Dallas, TX (US)

(**) Term: **14 Years**

(21) Appl. No.: **29/385,176**

(22) Filed: **Feb. 9, 2011**

(51) **LOC (10) Cl.** **25-01**

(52) **U.S. Cl.**
USPC **D25/143**

(58) **Field of Classification Search**
USPC D25/139, 140, 141, 143, 144; 52/519,
52/518, 523, 524, 526, 535, 554, 555,
556, 52/560, 557, 558, 311.1, 311.2, 314
See application file for complete search history.

(56) **References Cited**

U.S. PATENT DOCUMENTS

1,150,298 A * 8/1915 Overbury 52/559
D104,971 S * 6/1937 Logan, Jr. D25/139

2,096,968 A * 10/1937 Johnston 52/558
2,171,010 A * 8/1939 Schuetz et al. 52/555
3,921,358 A * 11/1975 Bettoli 52/314
4,499,702 A * 2/1985 Turner 52/555

* cited by examiner

Primary Examiner — Susan Bennett Hattan

Assistant Examiner — Leanne Was

(74) *Attorney, Agent, or Firm* — Baker & McKenzie LLP

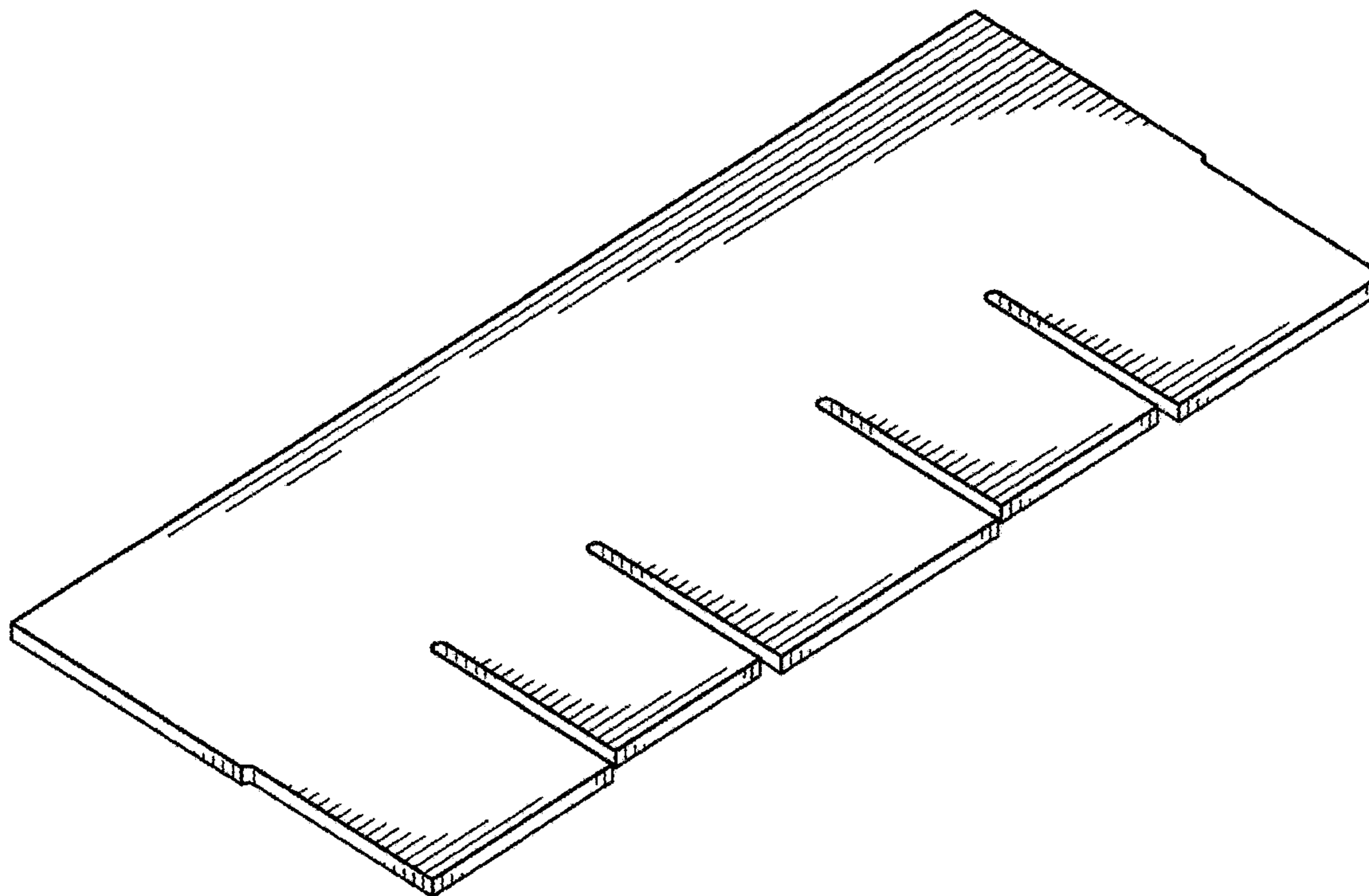
(57) **CLAIM**

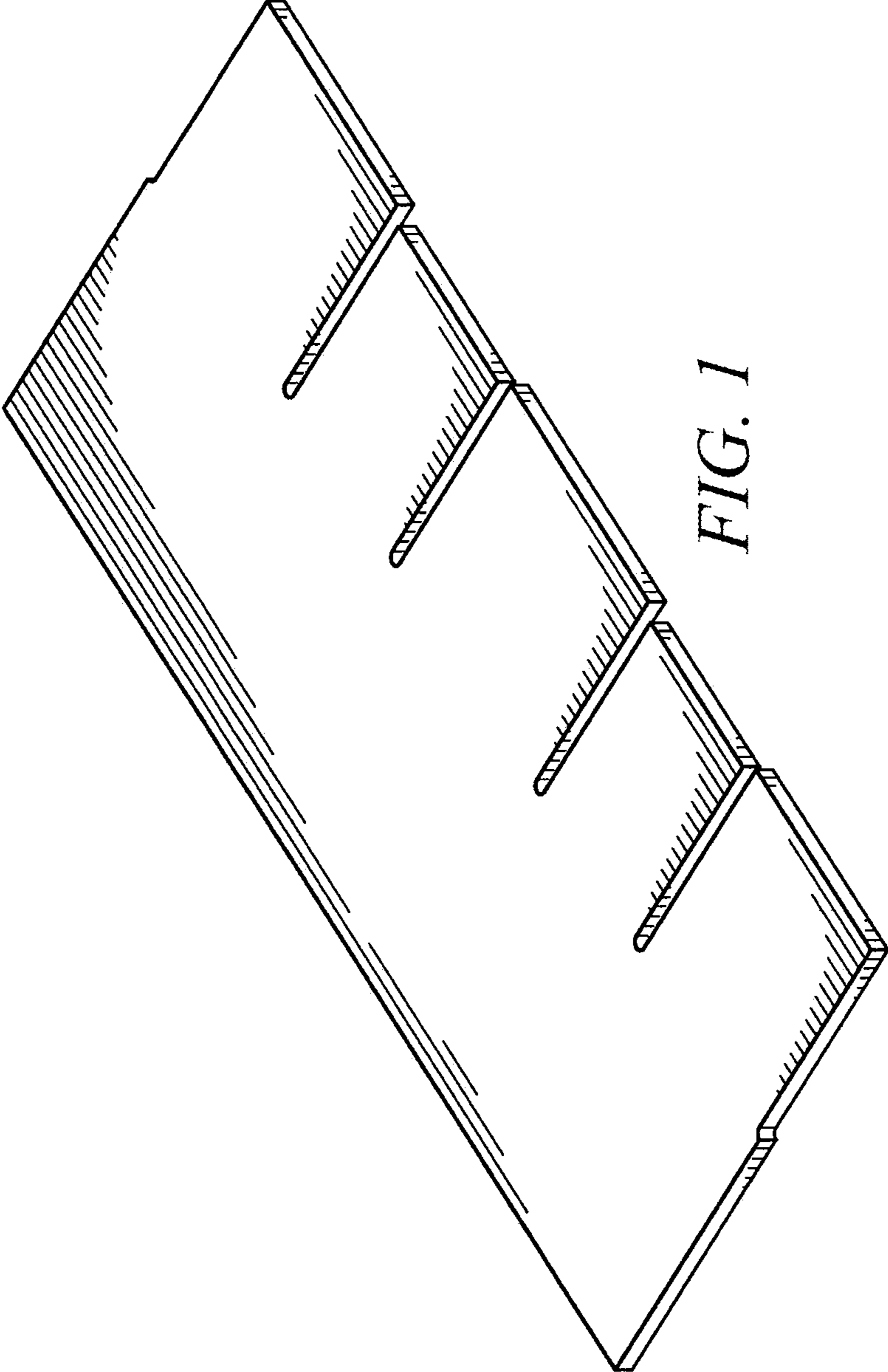
The ornamental design for an shake shingle, as shown and described.

DESCRIPTION

FIG. 1 is a perspective view of a first embodiment of the shake shingle in accordance with our design;
FIG. 2 is a top view of the shake shingle shown in FIG. 1;
FIG. 3 is a front view of the shake shingle shown in FIG. 1;
FIG. 4 is a back view of the shake shingle shown in FIG. 1;
FIG. 5 is a first side view of the shake shingle shown in FIG. 1;
FIG. 6 is a second side view of the shake shingle shown in FIG. 1; and,
FIG. 7 is a bottom view of the shake shingle shown in FIG. 1.

1 Claim, 3 Drawing Sheets





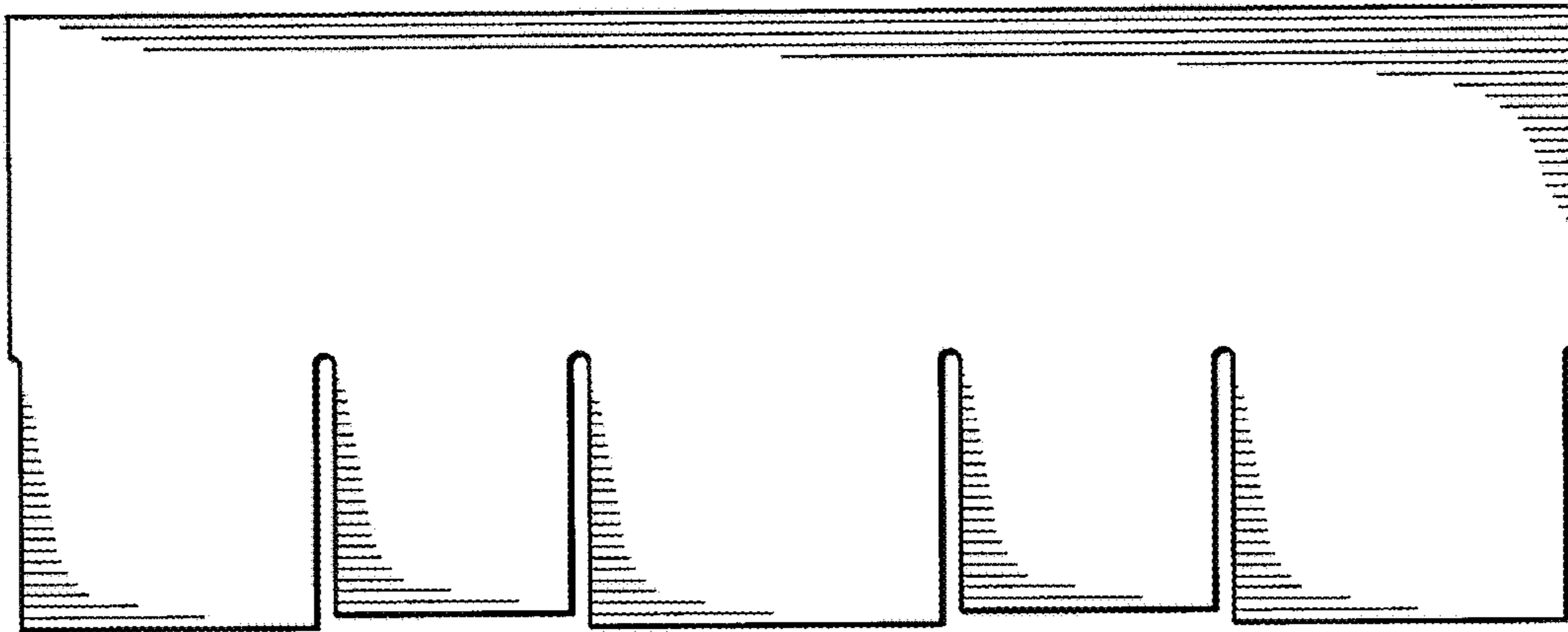


FIG. 2

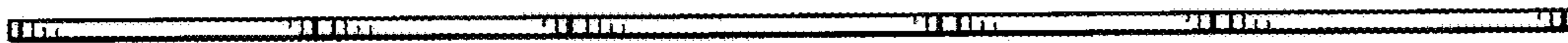


FIG. 3



FIG. 4



FIG. 5



FIG. 6

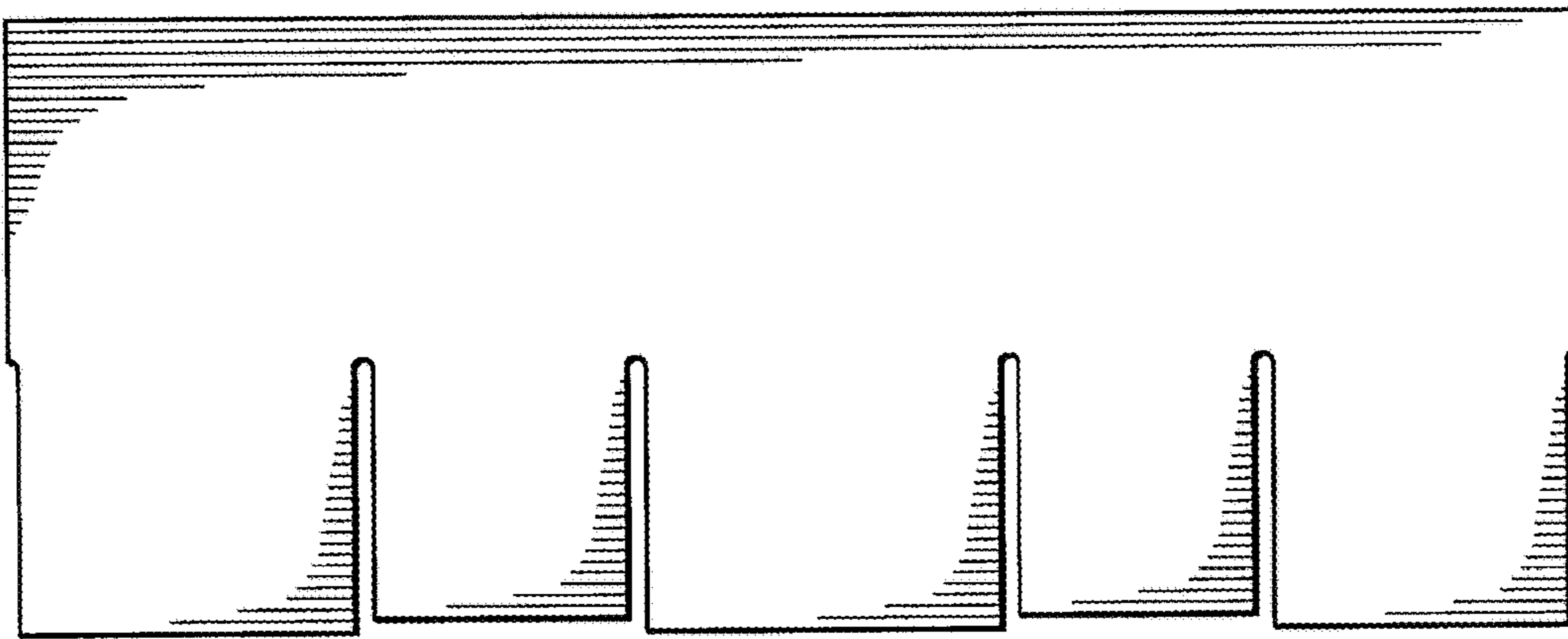


FIG. 7