



US00D774663S

(12) **United States Design Patent**  
**Nigro**

(10) **Patent No.:** **US D774,663 S**

(45) **Date of Patent:** **\*\* Dec. 20, 2016**

(54) **ACCOUSTIC PANEL ASSEMBLY**

(71) Applicant: **CAIMI BREVETTI S.p.A.**, Nova Milanese (IT)

(72) Inventor: **Philippe Nigro**, Milan (IT)

(73) Assignee: **CAIMI BREVETTI S.p.A.**, Nova Milanese (MI) (IT)

(\*\*) Term: **14 Years**

(21) Appl. No.: **29/504,250**

(22) Filed: **Oct. 3, 2014**

(30) **Foreign Application Priority Data**

Apr. 4, 2014 (EM) ..... 001414601-06  
Apr. 4, 2014 (EM) ..... 001414601-07

(51) **LOC (10) Cl.** ..... **25-01**

(52) **U.S. Cl.**  
USPC ..... **D25/138**

(58) **Field of Classification Search**  
USPC ..... D6/332; D25/38.1, 58, 138; 52/284,  
52/285.3, 587.1; 160/135, 180, 218, 220,  
160/222, 225  
See application file for complete search history.

(56) **References Cited**

**U.S. PATENT DOCUMENTS**

D242,099 S \* 11/1976 Casey ..... D25/38.1  
D242,100 S \* 11/1976 Casey ..... D25/38.1  
(Continued)

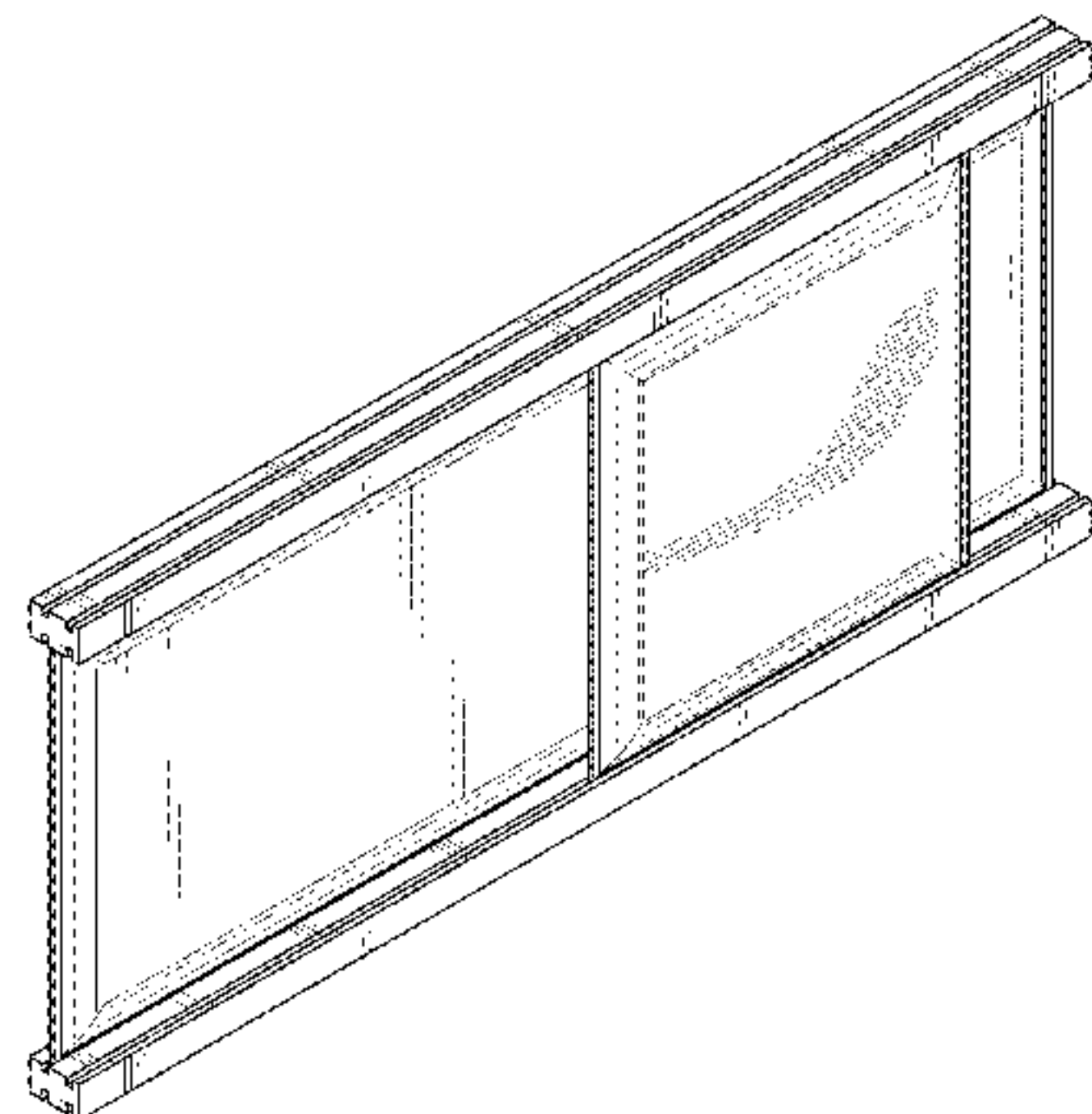
**FOREIGN PATENT DOCUMENTS**

JP D1136363 \* 3/2003

**OTHER PUBLICATIONS**

<http://www.archiproducts.com/de/produkte/197863/decorative-akustikplatten-president-caimi-brevetti.html> Retrieved Mar. 9, 2016.\*

(Continued)



*Primary Examiner* — Susan Bennett Hattan

*Assistant Examiner* — Leanne Was

(74) *Attorney, Agent, or Firm* — Nixon & Vanderhye P.C.

(57) **CLAIM**

The ornamental design for an acoustic panel assembly, as shown and described.

**DESCRIPTION**

FIG. 1 is a front, left perspective view of an acoustic panel assembly of an embodiment wherein a horizontally slideable panel on an outer plane track layer has an essentially square geometrical shape;

FIG. 2 is a front view of the acoustic panel assembly of FIG. 1;

FIG. 3 is a rear view of the acoustic panel assembly of FIG. 1;

FIG. 4 is a top view of the acoustic panel assembly of FIG. 1, the bottom view being a mirror image of FIG. 4;

FIG. 5 is a right side view of the acoustic panel assembly of FIG. 1, the left side view being a mirror image of FIG. 5;

FIG. 6 is a front, left perspective view of an acoustic panel assembly of the embodiment of FIG. 1 including a rectangular horizontally slideable panel on the outer plane track layer;

FIG. 7 is a front view of the acoustic panel assembly of FIG. 6;

FIG. 8 is a rear view of the acoustic panel assembly of FIG. 6;

FIG. 9 is a top view of the acoustic panel assembly of FIG. 6, the bottom view being a mirror image of FIG. 9;

FIG. 10 is a right side view of the acoustic panel assembly of FIG. 6;

FIG. 11 is a left side view of the acoustic panel assembly of FIG. 6;

FIG. 12 is a front, left perspective view of an acoustic panel assembly of the embodiment of FIG. 1 optionally arranged adjacent another horizontal acoustic panel assembly shown in broken lines.

FIG. 13 is a front view of the acoustic panel assembly of FIG. 12;

FIG. 14 is a rear view of the acoustic panel assembly of FIG. 12;

(Continued)

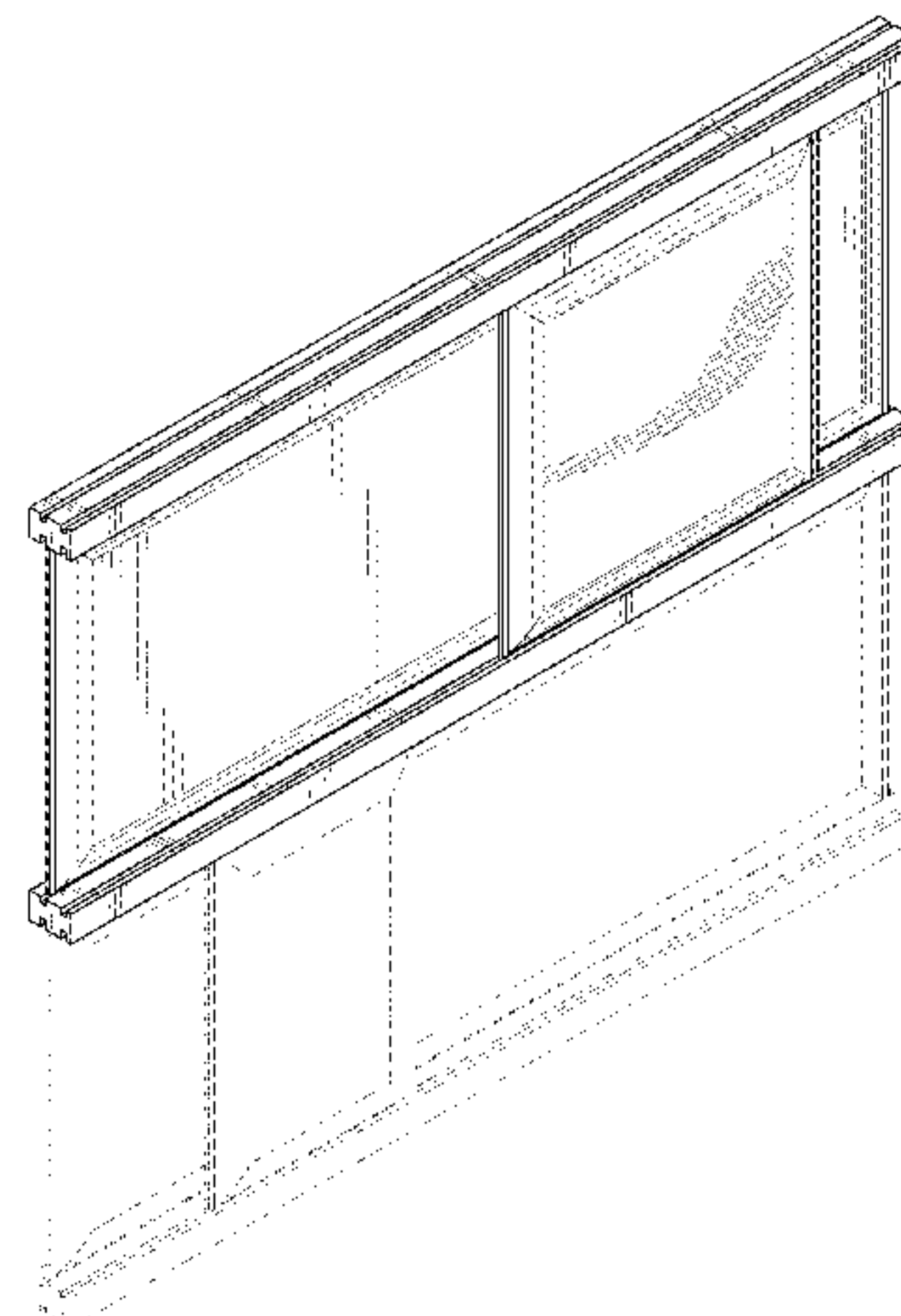


FIG. 15 is a top view of the acoustic panel assembly of FIG. 12, the bottom view being a mirror image of FIG. 15; and, FIG. 16 is a right side view of the acoustic panel assembly of FIG. 12, the left side view being a mirror image of FIG. 16.

The broken lines in the drawing depict portions of the acoustic panel assembly that form no part of the claimed design.

**1 Claim, 12 Drawing Sheets**

(56)

**References Cited**

U.S. PATENT DOCUMENTS

D357,597 S *	4/1995	Bachmann .....	D6/663
6,389,773 B1 *	5/2002	Reuter .....	E04B 2/7425 160/135
D549,468 S *	8/2007	Dressendorfer .....	D6/332
D564,764 S *	3/2008	Springer .....	D6/332
D573,721 S *	7/2008	Owsley .....	D25/40
D608,056 S *	1/2010	Evans .....	D30/108
D723,184 S *	2/2015	Jackson .....	D25/48.5

OTHER PUBLICATIONS

[http://www.domusweb.it/en/news/2014/04/11/caimi\\_brevetti.html](http://www.domusweb.it/en/news/2014/04/11/caimi_brevetti.html)

Posted Apr. 11, 2014.\*

[http://wow-webmagazine.com/it/la-boiserie-fonoassorbente-di-philippe-nigro-per-caimi/#.VusSR\\_IVgnF](http://wow-webmagazine.com/it/la-boiserie-fonoassorbente-di-philippe-nigro-per-caimi/#.VusSR_IVgnF) Retrieved Mar. 9, 2016.\*

\* cited by examiner

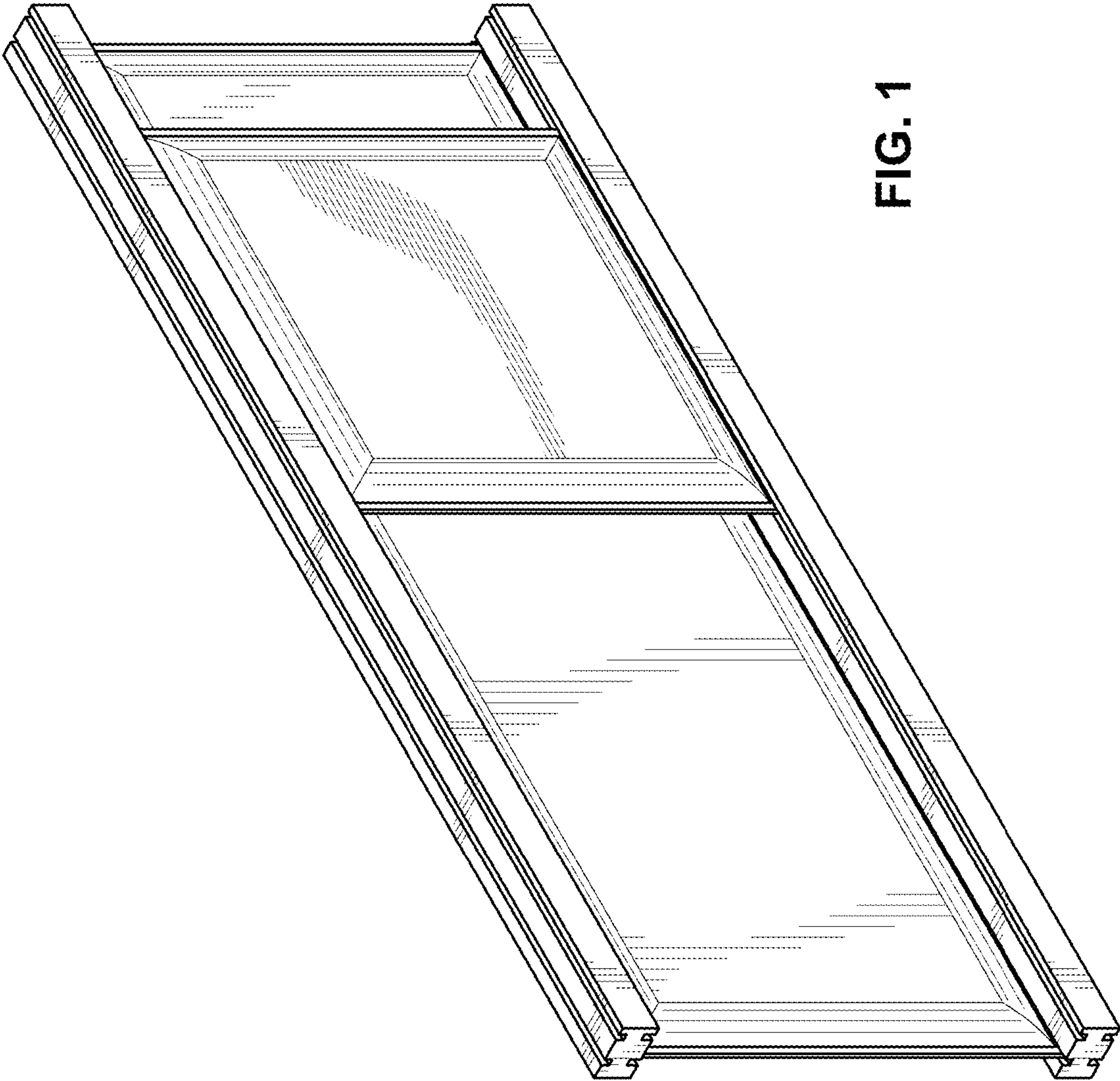


FIG. 1

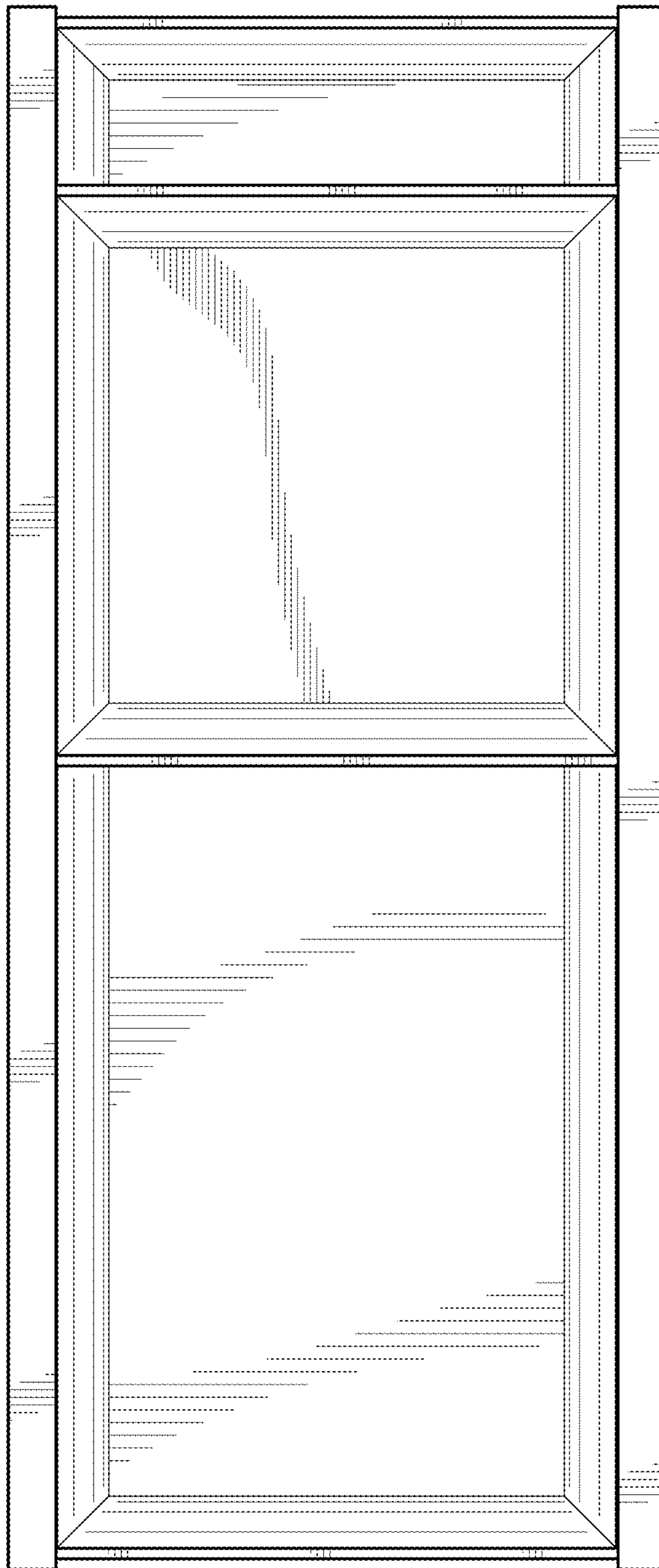


FIG. 2



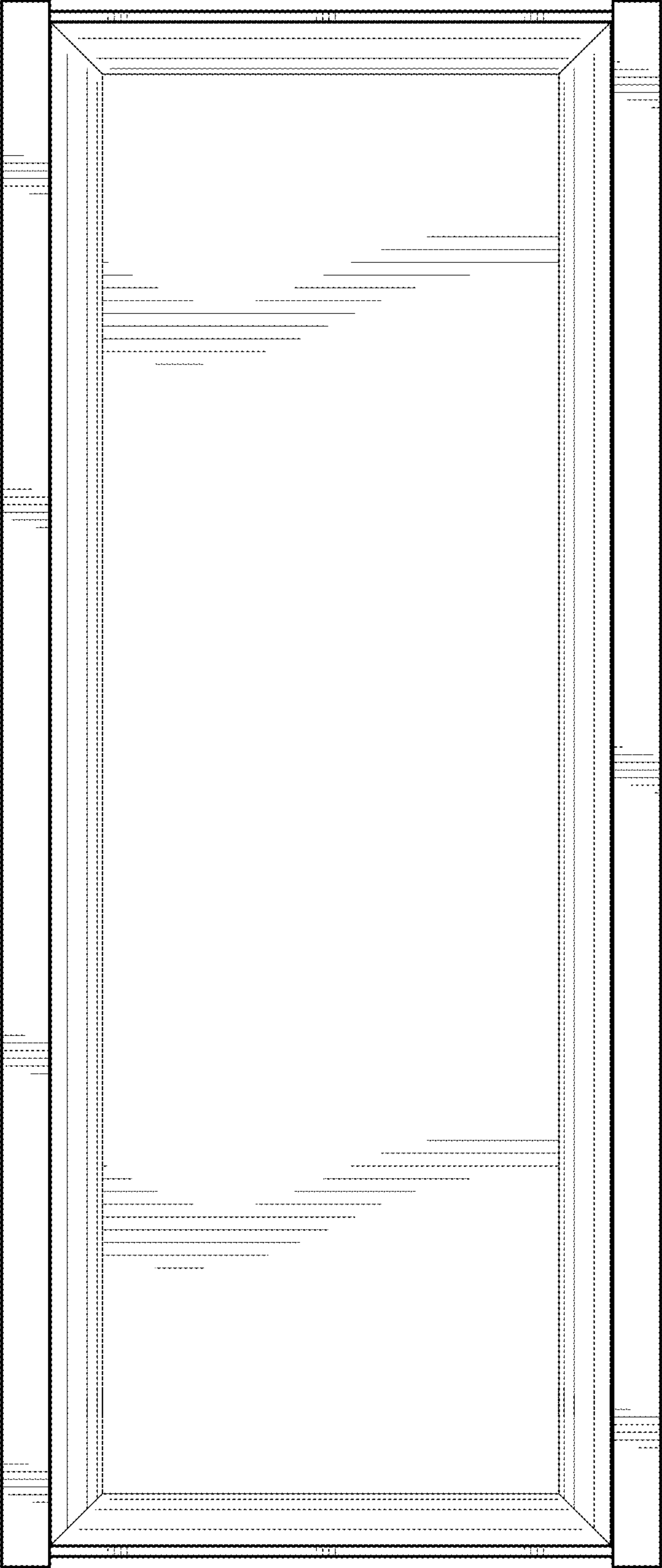


FIG. 3

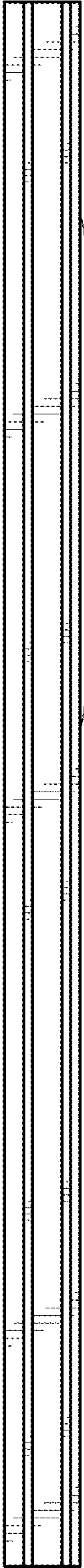


FIG. 4

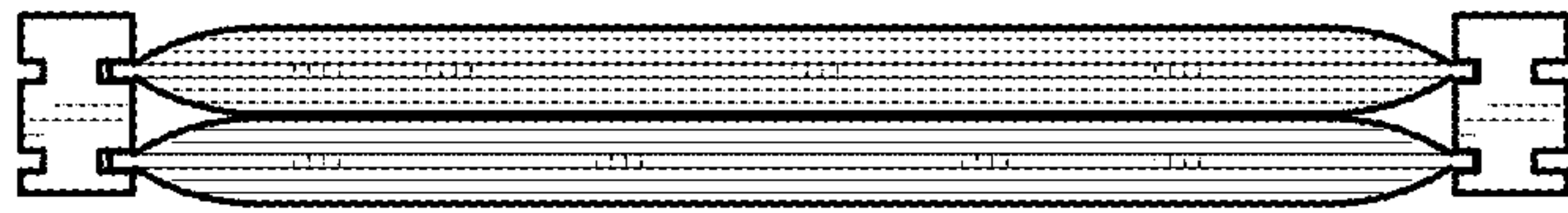


FIG. 5

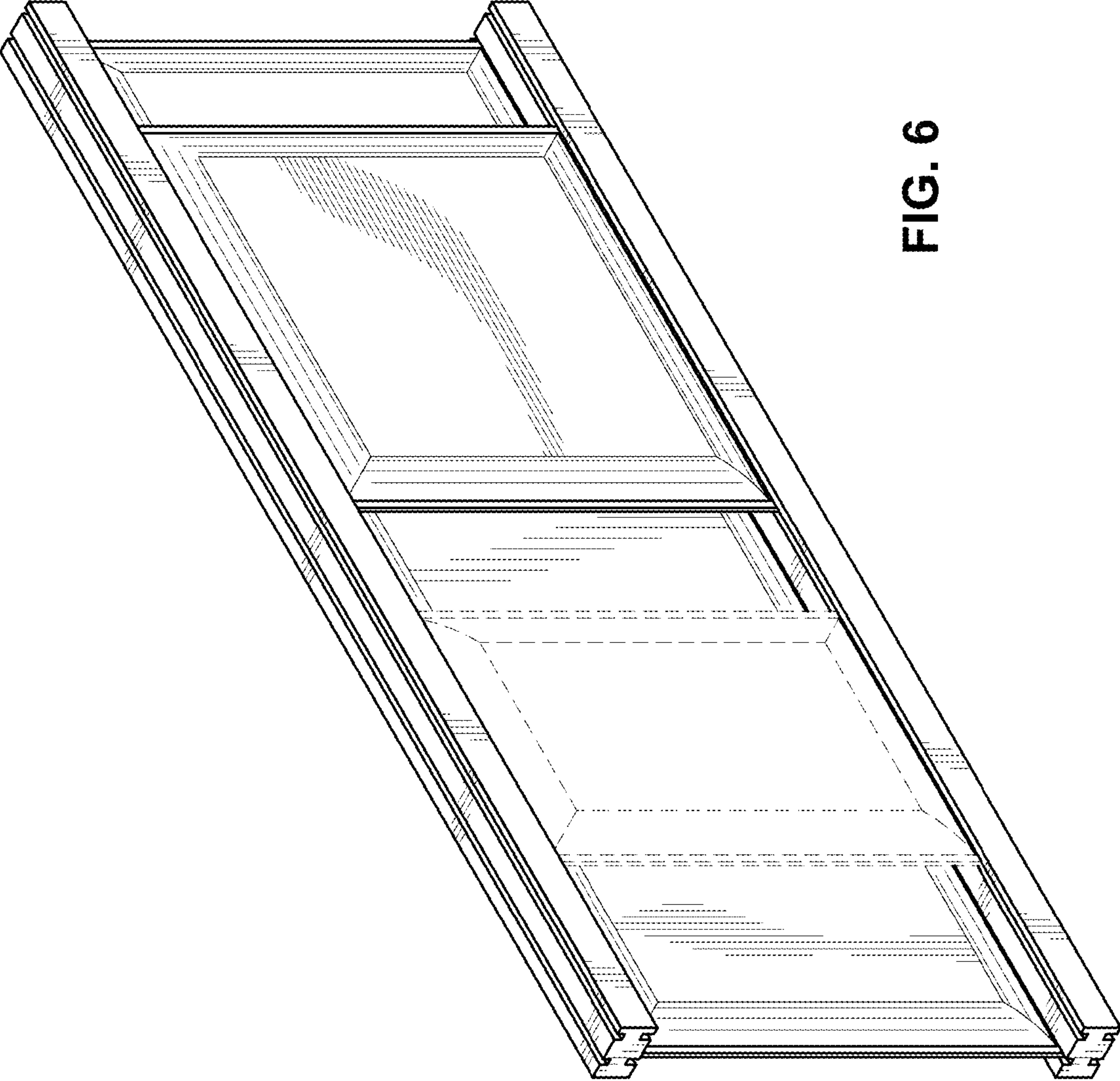


FIG. 6

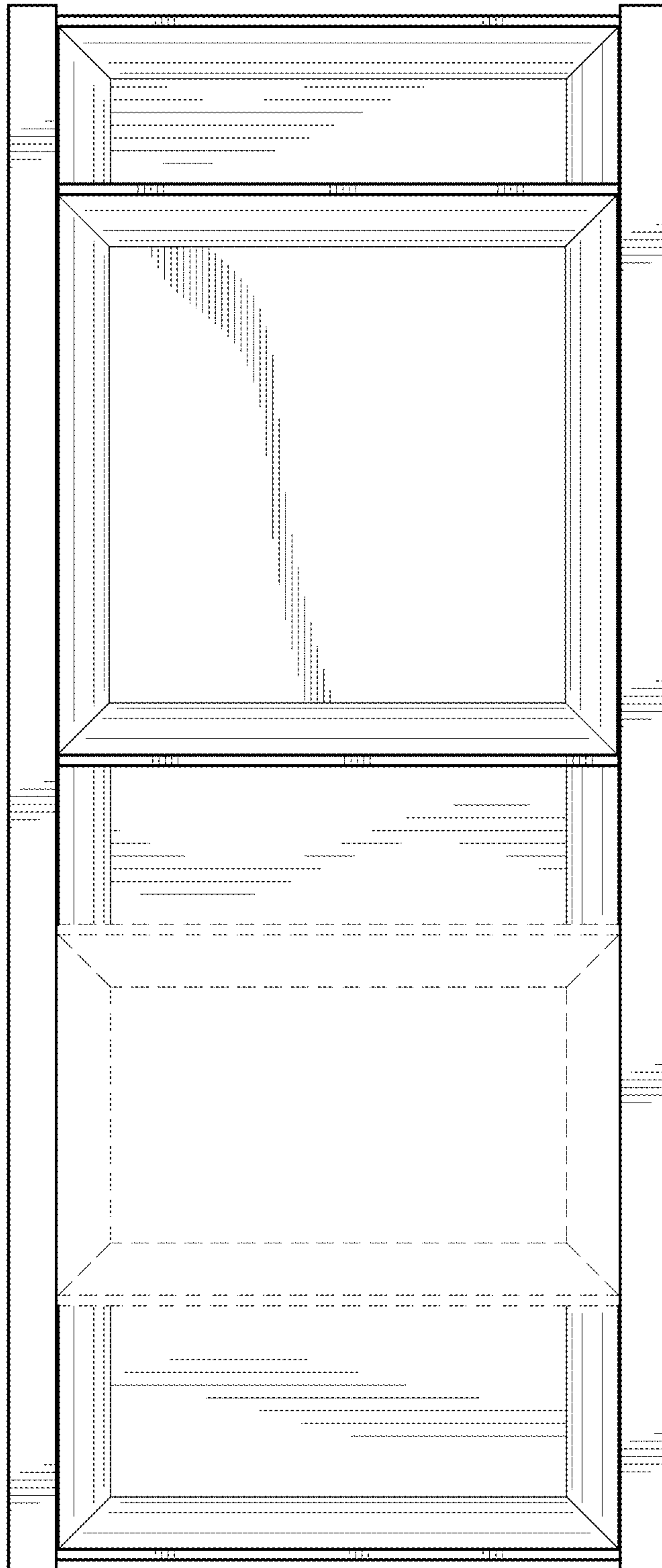


FIG. 7



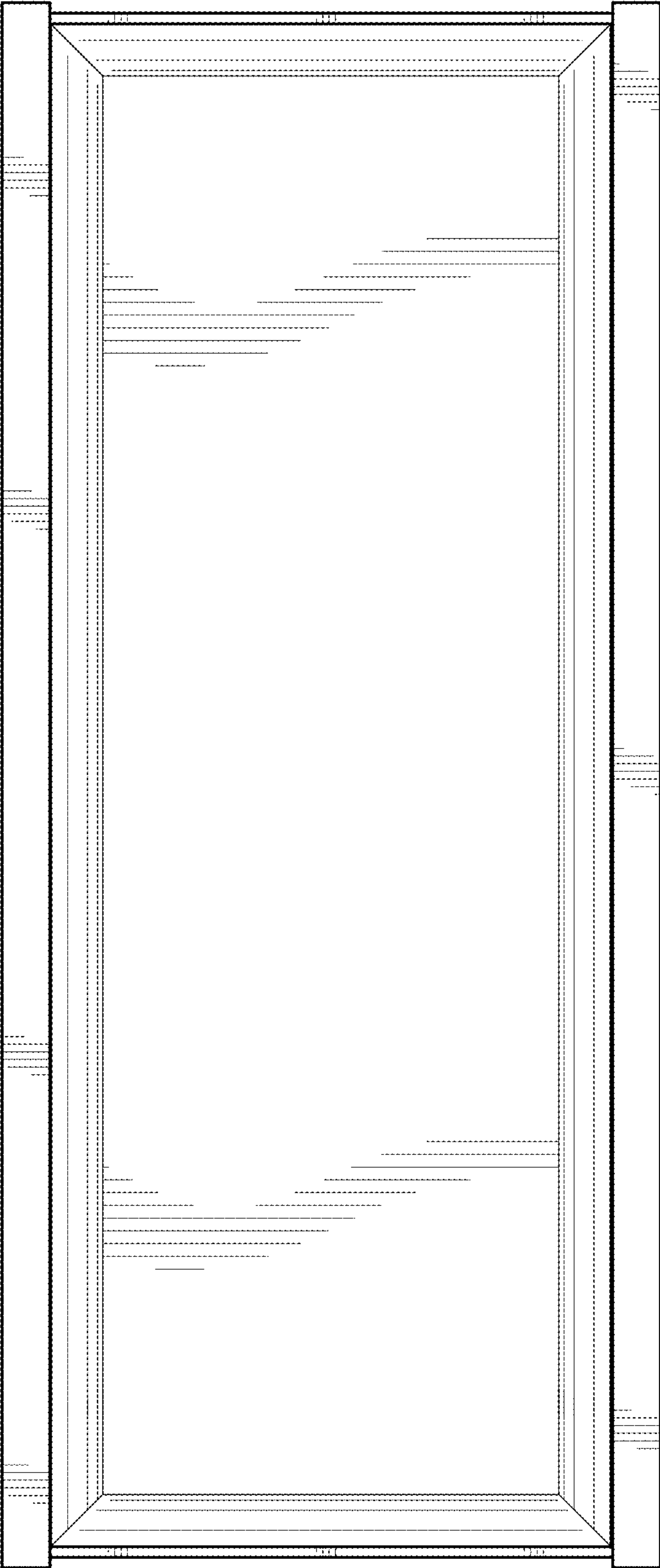


FIG. 8

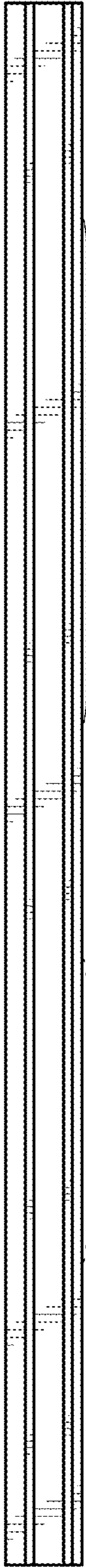


FIG. 9

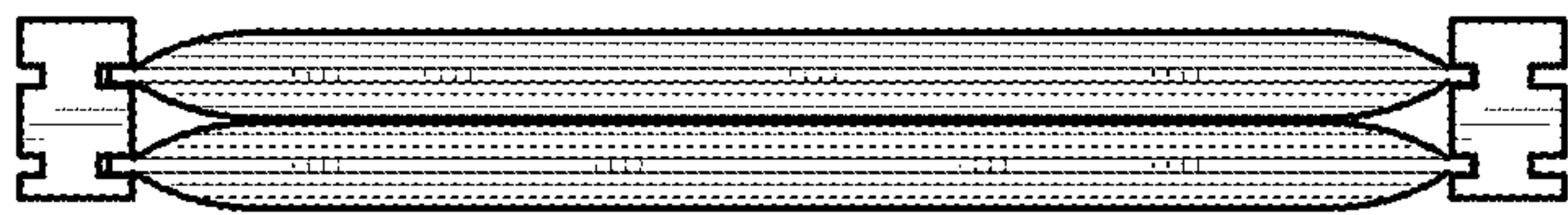


FIG. 10

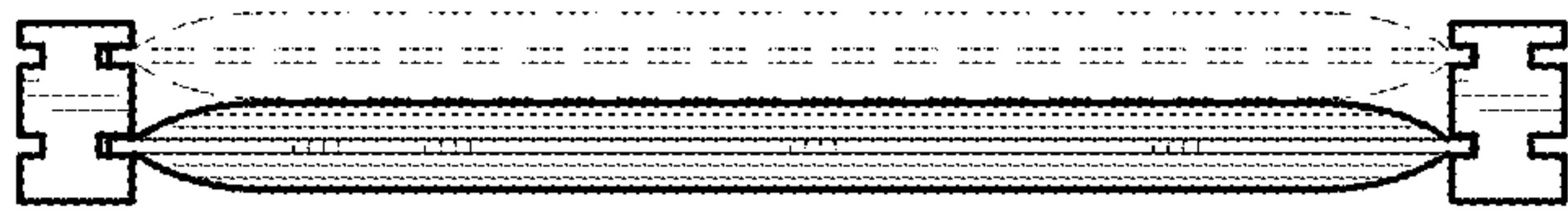


FIG. 11

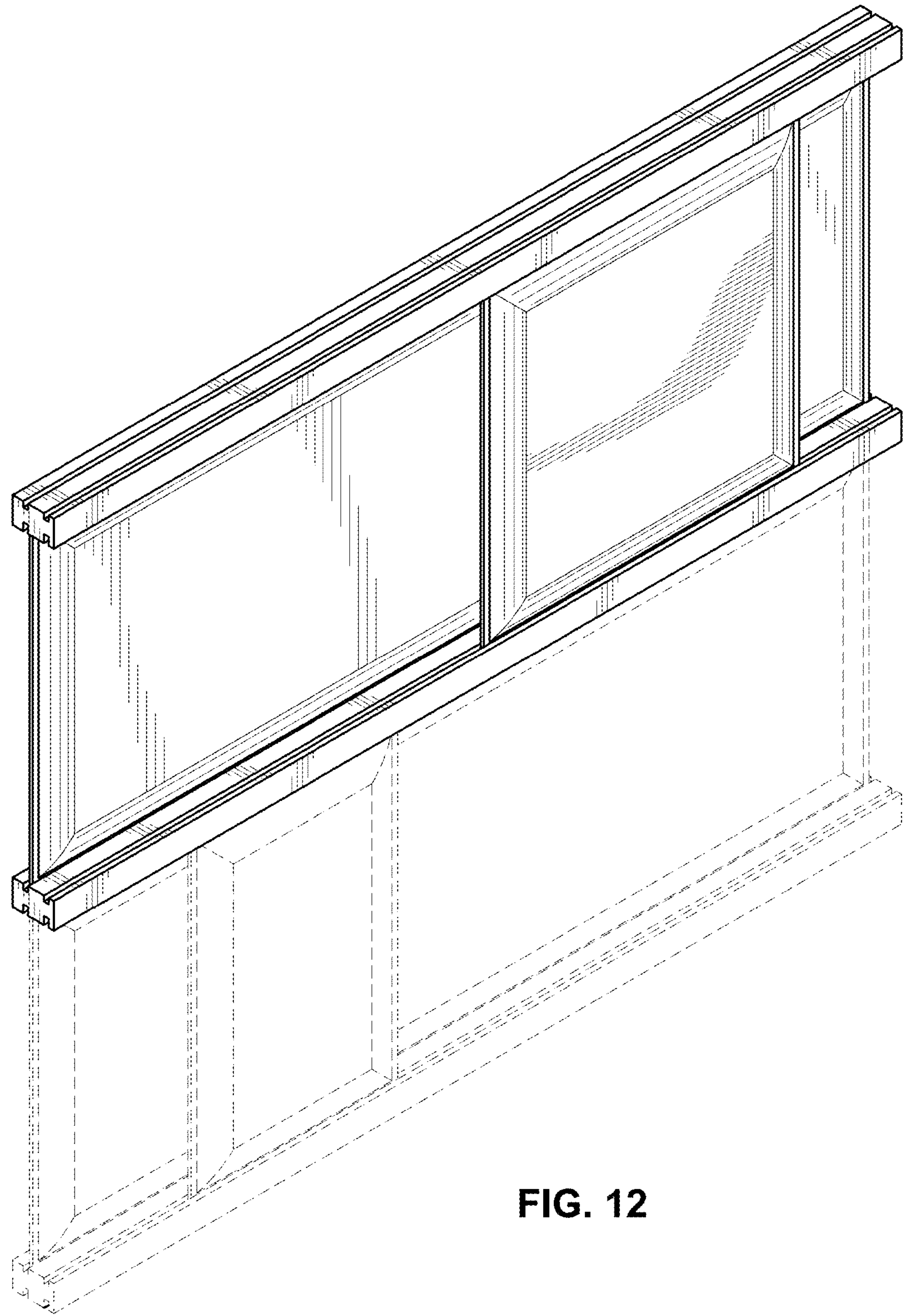


FIG. 12



FIG. 14

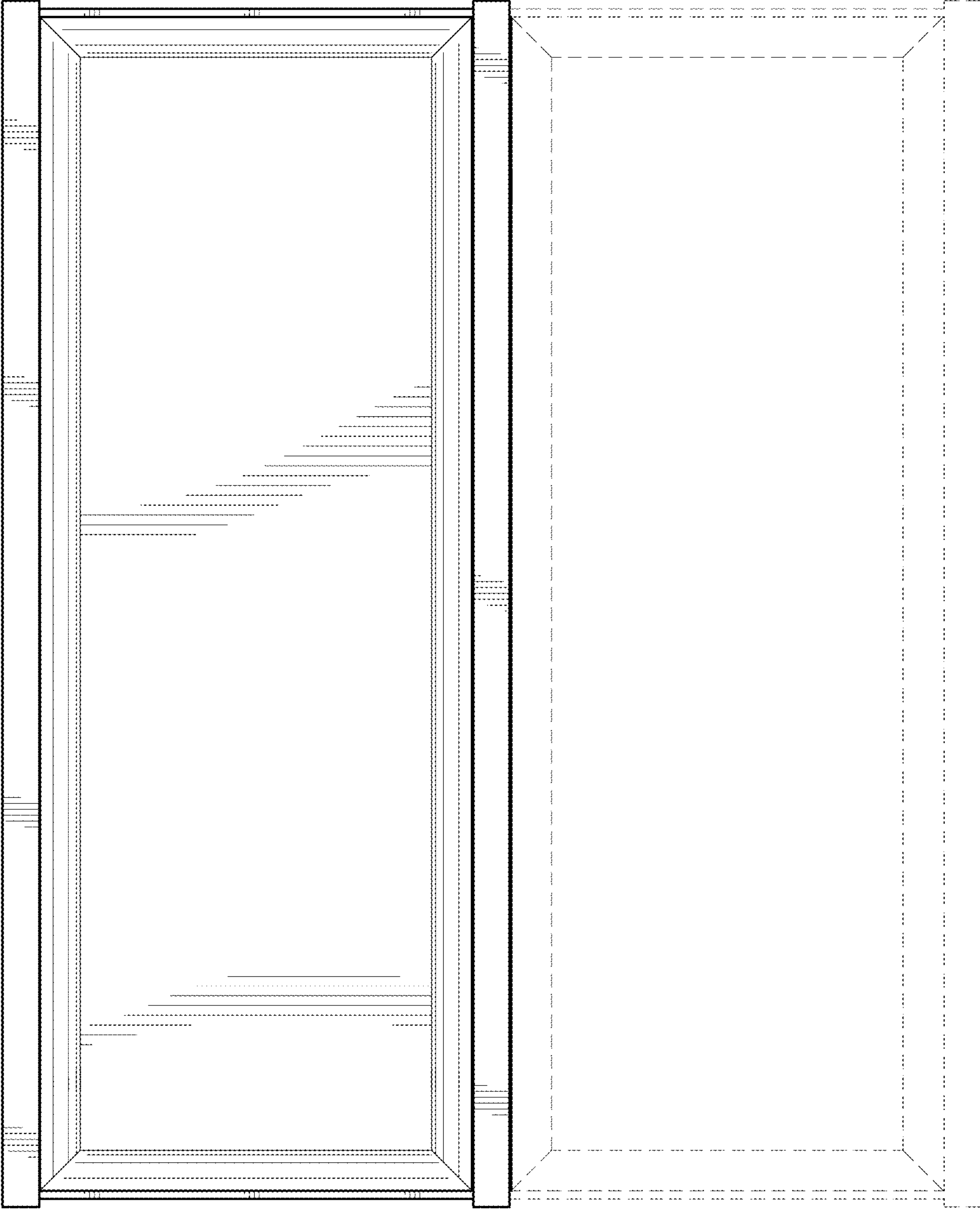






FIG. 16

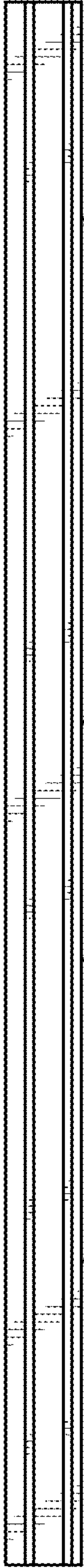


FIG. 15

UNITED STATES PATENT AND TRADEMARK OFFICE  
**CERTIFICATE OF CORRECTION**

PATENT NO. : D774,663 S  
APPLICATION NO. : 29/504250  
DATED : December 20, 2016  
INVENTOR(S) : Nigro

Page 1 of 1

It is certified that error appears in the above-identified patent and that said Letters Patent is hereby corrected as shown below:

On the Title Page

In item (54), delete "ACCOUNSTIC" and insert --ACOUSTIC--.

Second Column, under (57) CLAIM, change "accoustic" to --acoustic--;

Column 2, under "DESCRIPTION", please make the following changes:

Column 2, Line 1, please change "accoustic" to --acoustic--;

Column 2, Line 5, please change "accoustic" to --acoustic--;

Column 2, Line 7, please change "accoustic" to --acoustic--;

Column 2, Line 9, please change "accoustic" to --acoustic--;

Column 2, Line 11, please change "accoustic" to --acoustic--;

Column 2, Line 13, please change "accoustic" to --acoustic--;

Column 2, Line 17, please change "accoustic" to --acoustic--;

Column 2, Line 19, please change "accoustic" to --acoustic--;

Column 2, Line 21, please change "accoustic" to --acoustic--;

Column 2, Line 23, please change "accoustic" to --acoustic--;

Column 2, Line 25, please change "accoustic" to --acoustic--;

Column 2, Line 27, please change "accoustic" to --acoustic--;

Column 2, Line 31, please change "accoustic" to --acoustic--;

Column 2, Line 33, please change "accoustic" to --acoustic--.

On page 2, Column 1, Line 1, please change "accoustic" to --acoustic--;

On page 2, Column 1, Line 3, please change "accoustic" to --acoustic--;

On page 2, Column 1, Line 7, please change "accoustic" to --acoustic--.

Signed and Sealed this  
Thirtieth Day of May, 2017



Michelle K. Lee  
Director of the United States Patent and Trademark Office