



US00D774662S

(12) **United States Design Patent** (10) **Patent No.:** **US D774,662 S**
Malpesa Guerrero et al. (45) **Date of Patent:** **** Dec. 20, 2016**

(54) **SLAB FOR BUILDING** 2,090,285 A * 8/1937 Llewellyn E04B 2/42
52/125.3
(71) Applicant: **CERÁMICA MALPESA, S.A.**, Bailén, D241,310 S * 9/1976 Bolt D21/486
Jaén (ES) 5,007,218 A 4/1991 Bengtson
D326,530 S * 5/1992 Lewis D25/113
(72) Inventors: **José Malpesa Guerrero**, Jaén (ES); D326,531 S * 5/1992 Lewis D25/113
Antonio José Escribano Baeyens, Jaén 2007/0277471 A1* 12/2007 Gibson B28B 17/0018
(ES) 52/596
2010/0303555 A1* 12/2010 Herse E04C 1/395
405/286
(73) Assignee: **CERAMICA MALPESA, S.A.** (ES) 2016/0090705 A1* 3/2016 Scherkl E02B 3/14
405/114

(**) Term: **15 Years**

(21) Appl. No.: **29/527,279**

(22) Filed: **May 18, 2015**

(30) **Foreign Application Priority Data**

Nov. 18, 2014 (EM) 002580167

(51) **LOC (10) Cl.** **25-01**

(52) **U.S. Cl.**
USPC **D25/113**

(58) **Field of Classification Search**
USPC D21/484-491, 499-504; D25/102, 112,
D25/113, 115, 119, 125, 136;
52/503-505, 574, 52/575, 596-612;
404/27-42; 405/16, 284, 405/286
CPC E04B 2/32; E04B 2/56; E04B 2/70;
E04B 2/702; E04B 2002/0208
See application file for complete search history.

(56) **References Cited**

U.S. PATENT DOCUMENTS

D33,480 S * 10/1900 Meeker D25/157
2,141,397 A 12/1928 Locke

FOREIGN PATENT DOCUMENTS

CN 302762262 * 3/2014
WO WO 01/18317 A1 3/2001

* cited by examiner

Primary Examiner — Susan Bennett Hattan

Assistant Examiner — Leanne Was

(74) *Attorney, Agent, or Firm* — Craig A. Fieschko, Esq.;
DeWitt Ross & Stevens S.C.

(57) **CLAIM**

We claim the ornamental design for a slab for building, as shown.

DESCRIPTION

FIG. 1 is a top frontal perspective view of a slab for building showing the top, front, and left sides of the design; FIG. 2 is a top rear perspective view showing the top, rear, and right sides of the design of FIG. 1; and, FIG. 3 is a bottom frontal perspective view showing the bottom, front, and right sides of the design of FIG. 1.

1 Claim, 2 Drawing Sheets

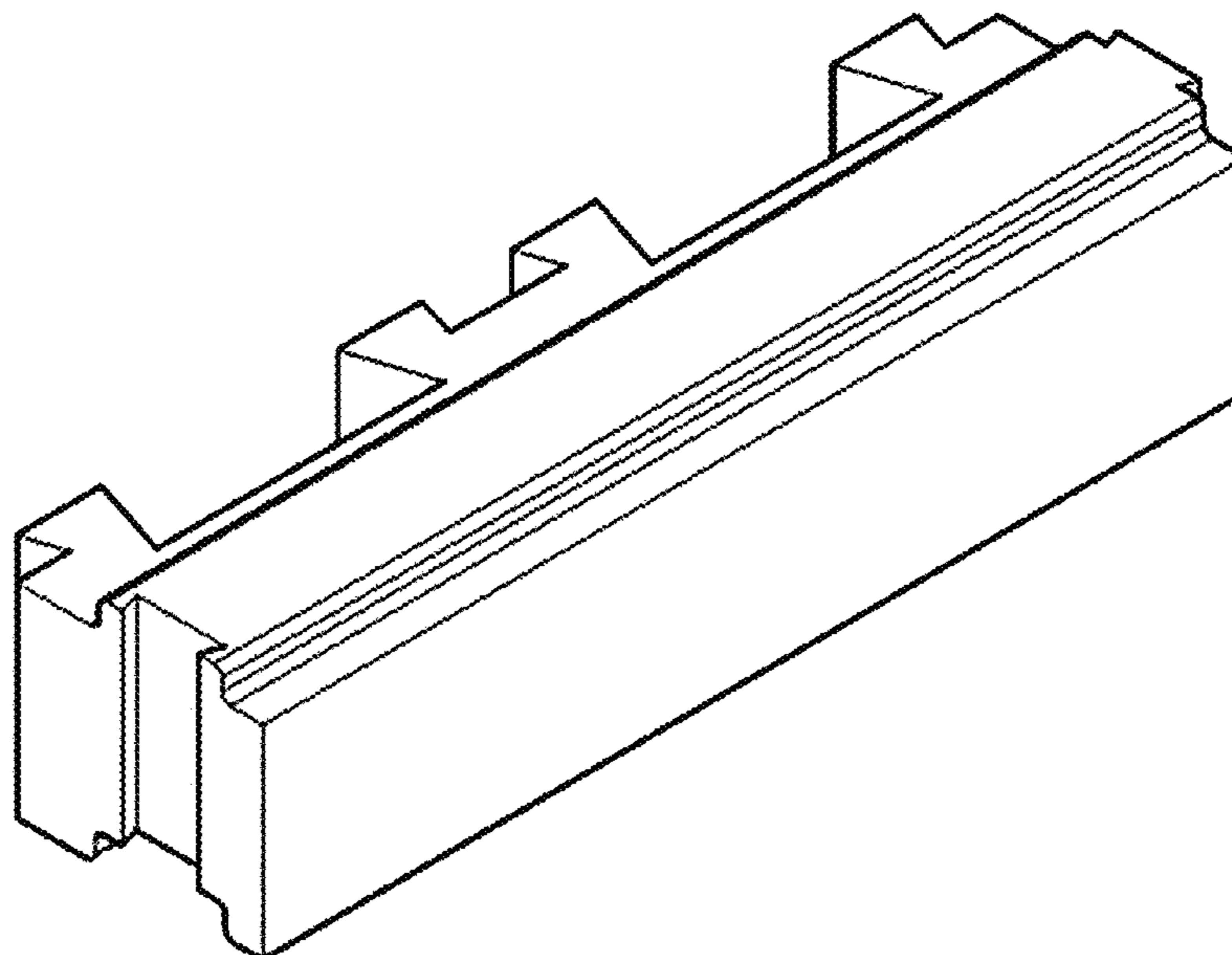


FIG. 1

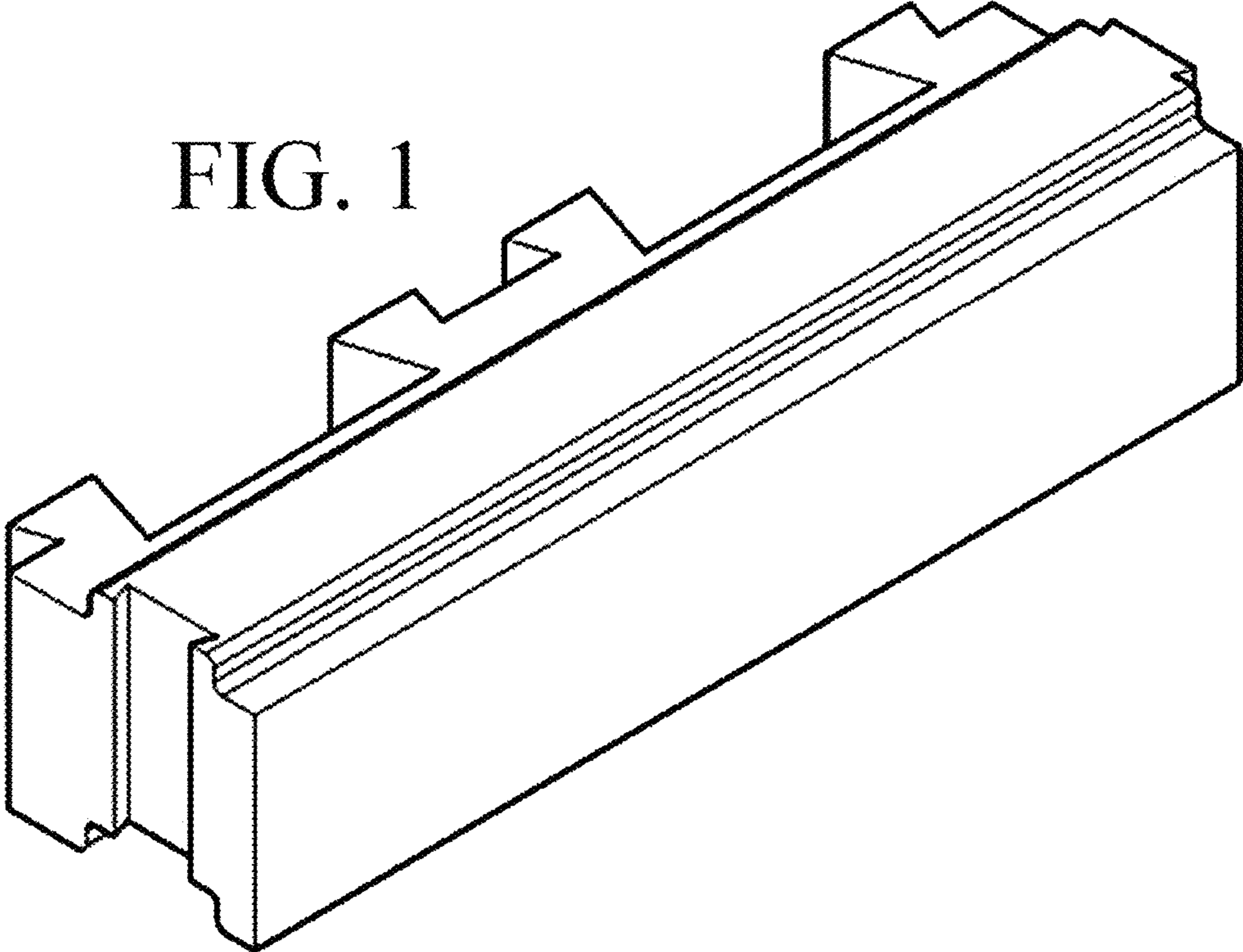


FIG. 2

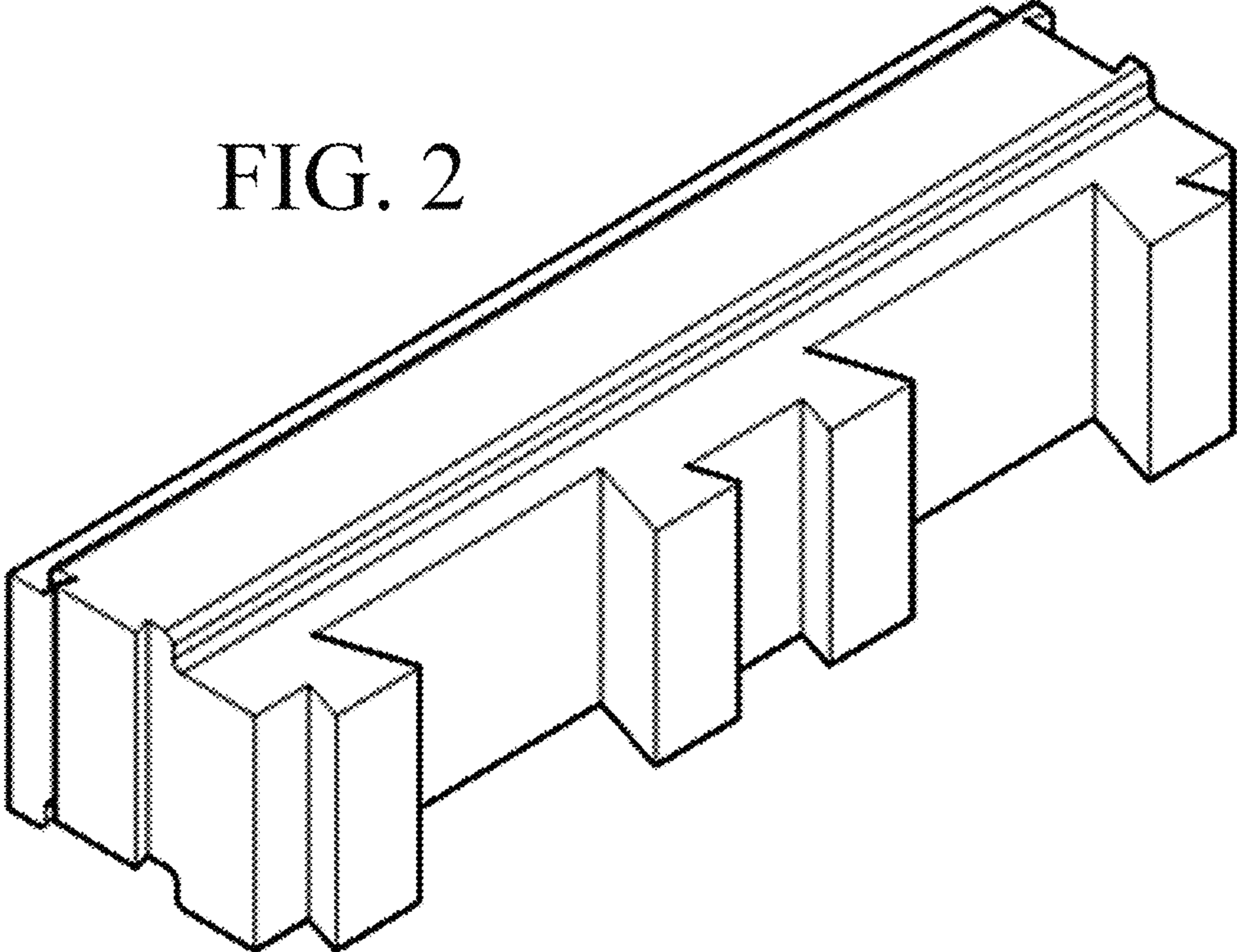


FIG. 3

