

US00D774661S

(12) **United States Design Patent**  
**Malpesa Guerrero et al.**

(10) **Patent No.:** **US D774,661 S**  
(45) **Date of Patent:** **\*\* Dec. 20, 2016**

(54) <b>SLAB FOR BUILDING</b>	3,849,960 A * 11/1974 Henry ..... E04B 2/32 52/233
(71) Applicant: <b>CERÁMICA MALPESA, S.A.</b> , Bailén, Jaén (ES)	D270,189 S * 8/1983 Khoo ..... D25/113 5,007,218 A 4/1991 Bengtson 6,467,229 B2 * 10/2002 Azar ..... E04B 2/06 52/589.1
(72) Inventors: <b>José Malpesa Guerrero</b> , Jaén (ES); <b>Antonio José Escribano Baeyens</b> , Jaén (ES)	D512,162 S * 11/2005 Risi ..... D25/113 D695,420 S * 12/2013 Hancock ..... D25/113 8,869,487 B2 * 10/2014 Haintze ..... E04B 2/08 52/591.1
(73) Assignee: <b>CERAMICA MALPESA, S.A.</b> (ES)	2007/0065535 A1 * 3/2007 Sinclair ..... C04B 28/04 425/461
(**) Term: <b>15 Years</b>	2007/0266656 A1 * 11/2007 Blocken ..... B32B 13/04 52/286

(21) Appl. No.: **29/527,274**

(22) Filed: **May 18, 2015**

(30) **Foreign Application Priority Data**

Nov. 18, 2014 (EM) ..... 002580167

(51) **LOC (10) Cl.** ..... **25-01**

(52) **U.S. Cl.**  
USPC ..... **D25/113**

(58) **Field of Classification Search**  
USPC ..... D21/484-491, 499-504; D25/102, 112,  
D25/113, 115, 119, 125, 136;  
52/503-505, 574, 52/575, 596-612;  
404/27-42; 405/16, 284, 405/286  
CPC ..... E04B 2/32; E04B 2/56; E04B 2/70;  
E04B 2/702; E04B 2002/0208  
See application file for complete search history.

(56) **References Cited**

**U.S. PATENT DOCUMENTS**

2,141,397 A	12/1928	Locke	
3,343,328 A *	9/1967	Rolle	..... E04B 2/704 52/316
3,742,665 A *	7/1973	Henry	..... E04B 2/32 52/233

**FOREIGN PATENT DOCUMENTS**

EM	000593314-0009	*	10/2006
WO	WO 01/18317 A1		3/2001

\* cited by examiner

*Primary Examiner* — Susan Bennett Hattan  
*Assistant Examiner* — Leanne Was

(74) *Attorney, Agent, or Firm* — Craig A. Fieschko, Esq.;  
DeWitt Ross & Stevens S.C.

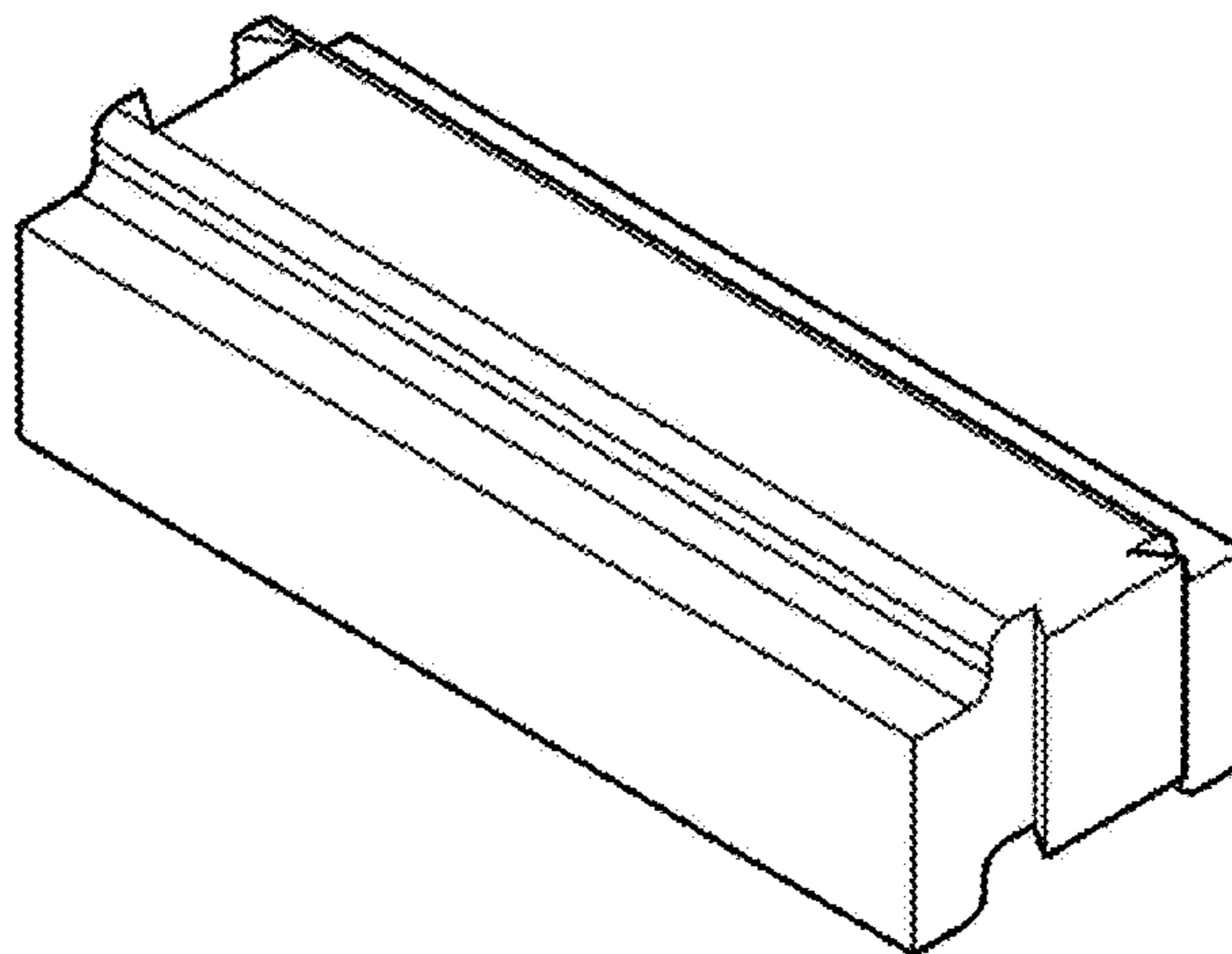
(57) **CLAIM**

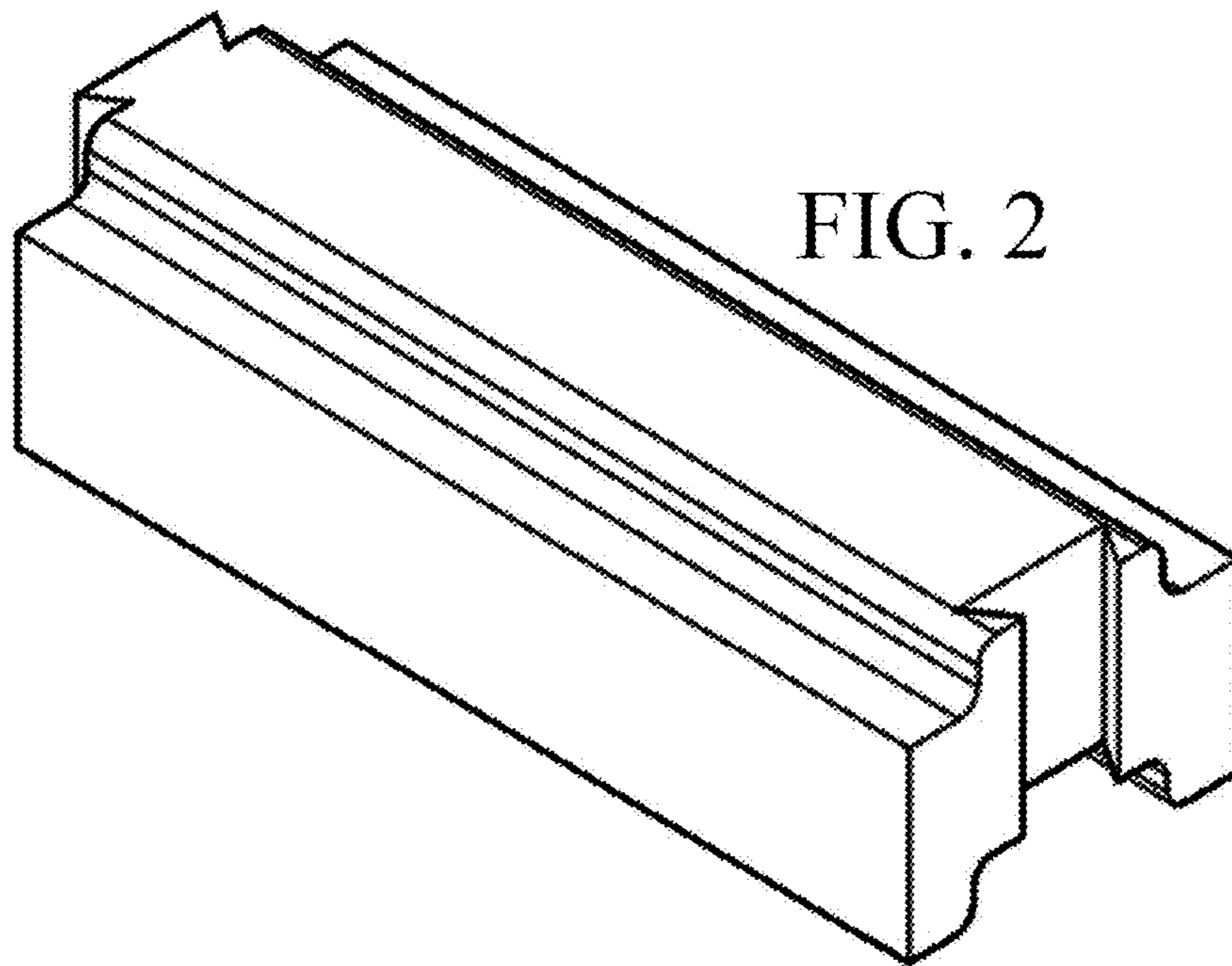
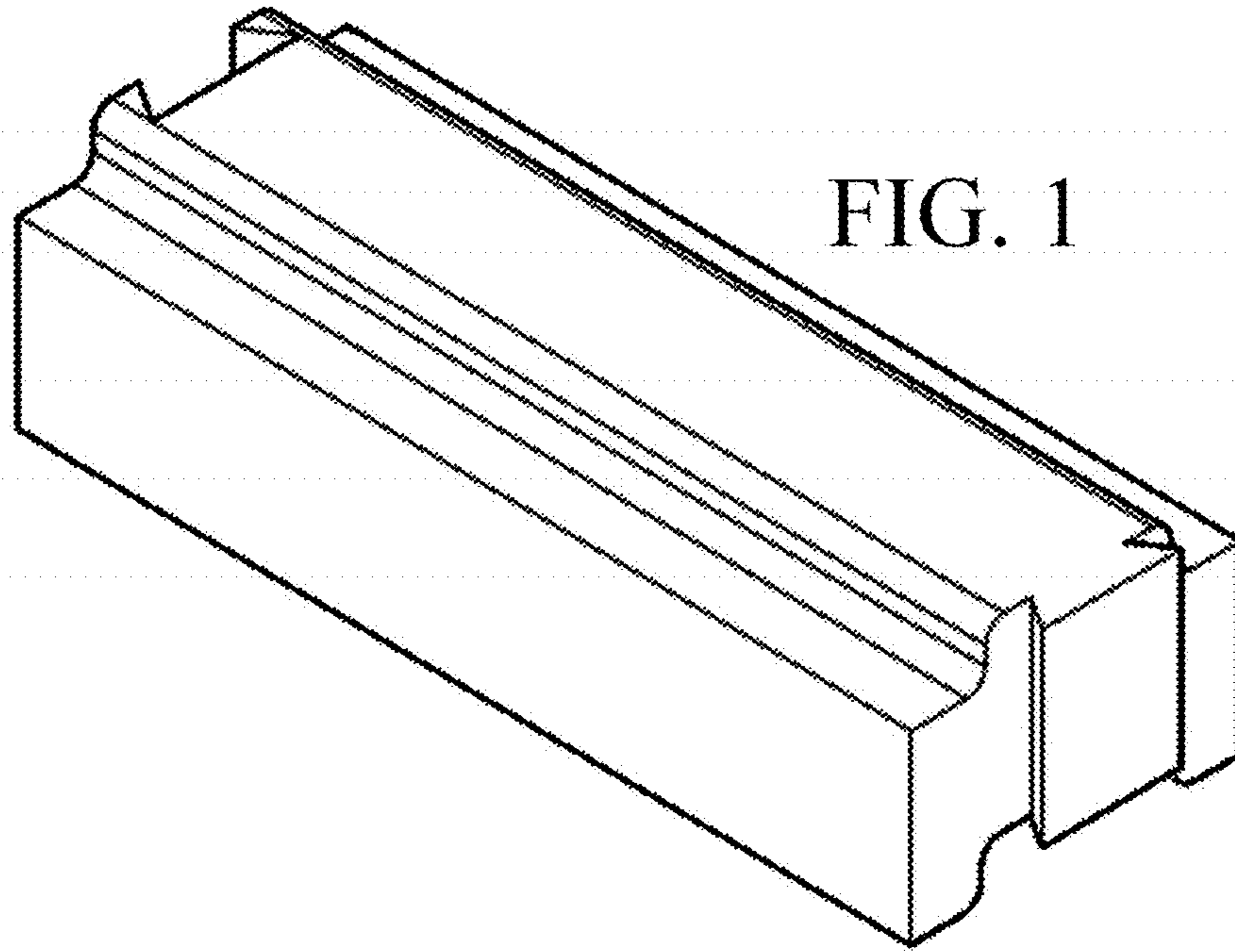
We claim the ornamental design for a slab for building, as shown.

**DESCRIPTION**

FIG. 1 is a top frontal perspective view of a slab for building showing the top, front, and right sides of the design; FIG. 2 is a top rear perspective view showing the top, rear, and left sides of the design of FIG. 1; and, FIG. 3 is a bottom frontal perspective view showing the bottom, front, and left sides of the design of FIG. 1.

**1 Claim, 2 Drawing Sheets**





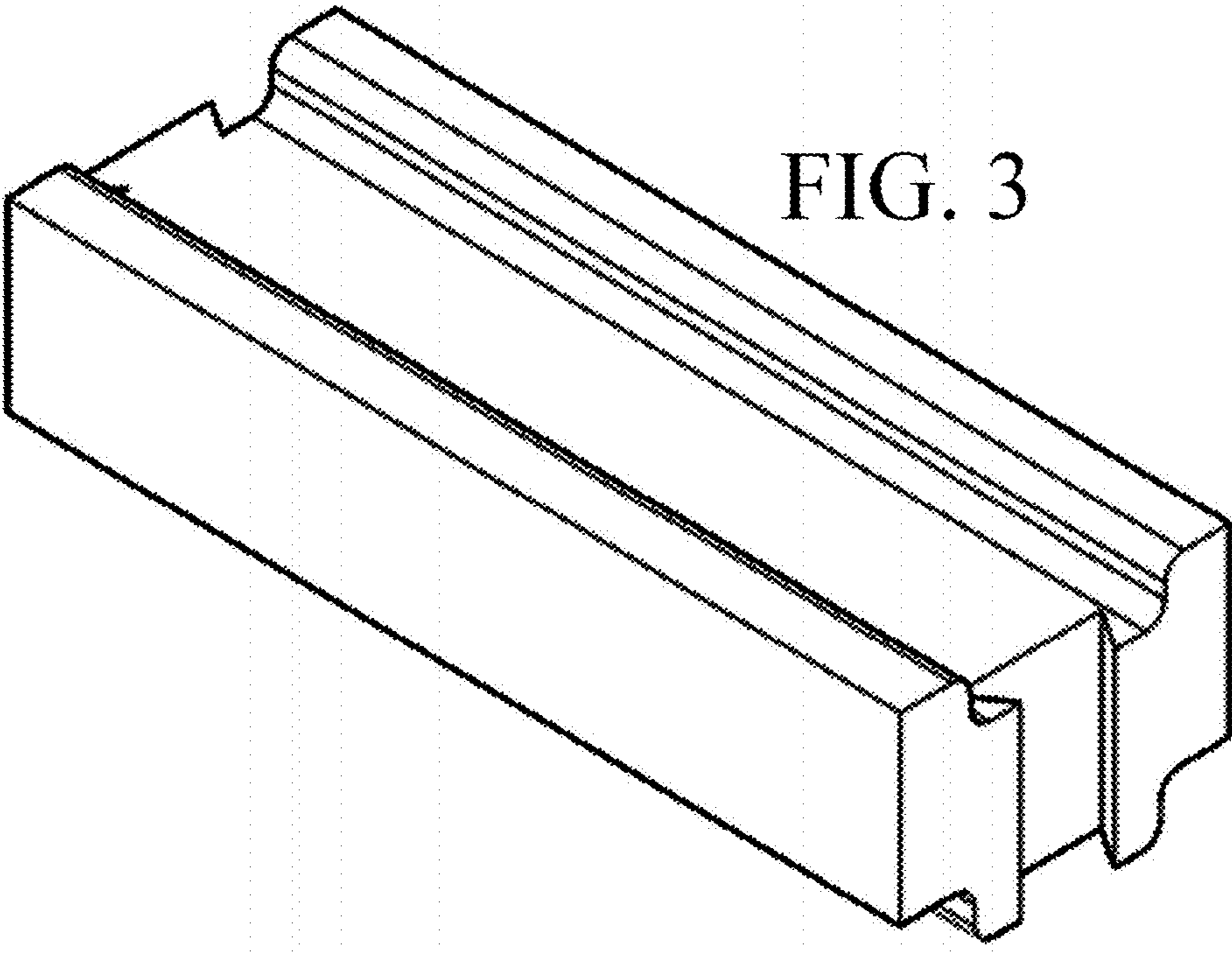


FIG. 3