



US00D774659S

(12) **United States Design Patent** (10) **Patent No.:** **US D774,659 S**
Quackenbush et al. (45) **Date of Patent:** **** Dec. 20, 2016**

(54) **SEQUENCING OR SAMPLE PREPARATION INSTRUMENT**

D729,405 S * 5/2015 Ramstad D24/233
D737,459 S * 8/2015 Kurihara D24/232
D751,728 S * 3/2016 Latorraca D24/232
2010/0267049 A1 * 10/2010 Rutter G01N 21/6428
435/7.1

(71) Applicant: **Illumina, Inc.**, San Diego, CA (US)

* cited by examiner

(72) Inventors: **Anna Quackenbush**, San Diego, CA (US); **Scott Janis**, El Cerrito, CA (US); **Kenneth Douglas Wood**, Portola Valley, CA (US)

Primary Examiner — Anhdao Doan

(74) *Attorney, Agent, or Firm* — Knobbe Martens Olson & Bear LLP

(73) Assignee: **Illumina, Inc.**, San Diego, CA (US)

(**) Term: **15 Years**

(57) **CLAIM**

The ornamental design for a sequencing or sample preparation instrument, as shown and described.

(21) Appl. No.: **29/554,561**

DESCRIPTION

(22) Filed: **Feb. 12, 2016**

(51) **LOC (10) Cl.** **24-01**

(52) **U.S. Cl.**
USPC **D24/216**

(58) **Field of Classification Search**
USPC D24/216–219, 231, 232, 233, 107, 169, D24/186; D10/81
CPC G01N 2035/00306; G01N 2035/00326; G01N 2035/00336; G01N 2030/027; G01N 35/1085; G01N 2021/6432; C12Q 1/6869; C12Q 1/6806
See application file for complete search history.

FIG. 1 is a front perspective view of an embodiment of a sequencing or sample preparation instrument in accordance with the present invention.

FIG. 2 is a rear perspective view of the sequencing or sample preparation instrument of FIG. 1.

FIG. 3 is a front view of the sequencing or sample preparation instrument of FIG. 1.

FIG. 4 is a rear view of the sequencing or sample preparation instrument of FIG. 1.

FIG. 5 is a left side view of the sequencing or sample preparation instrument of FIG. 1.

FIG. 6 is a right side view of the sequencing or sample preparation instrument of FIG. 1.

FIG. 7 is a top view of the sequencing or sample preparation instrument of FIG. 1; and,

FIG. 8 is a bottom view of the sequencing or sample preparation instrument of FIG. 1.

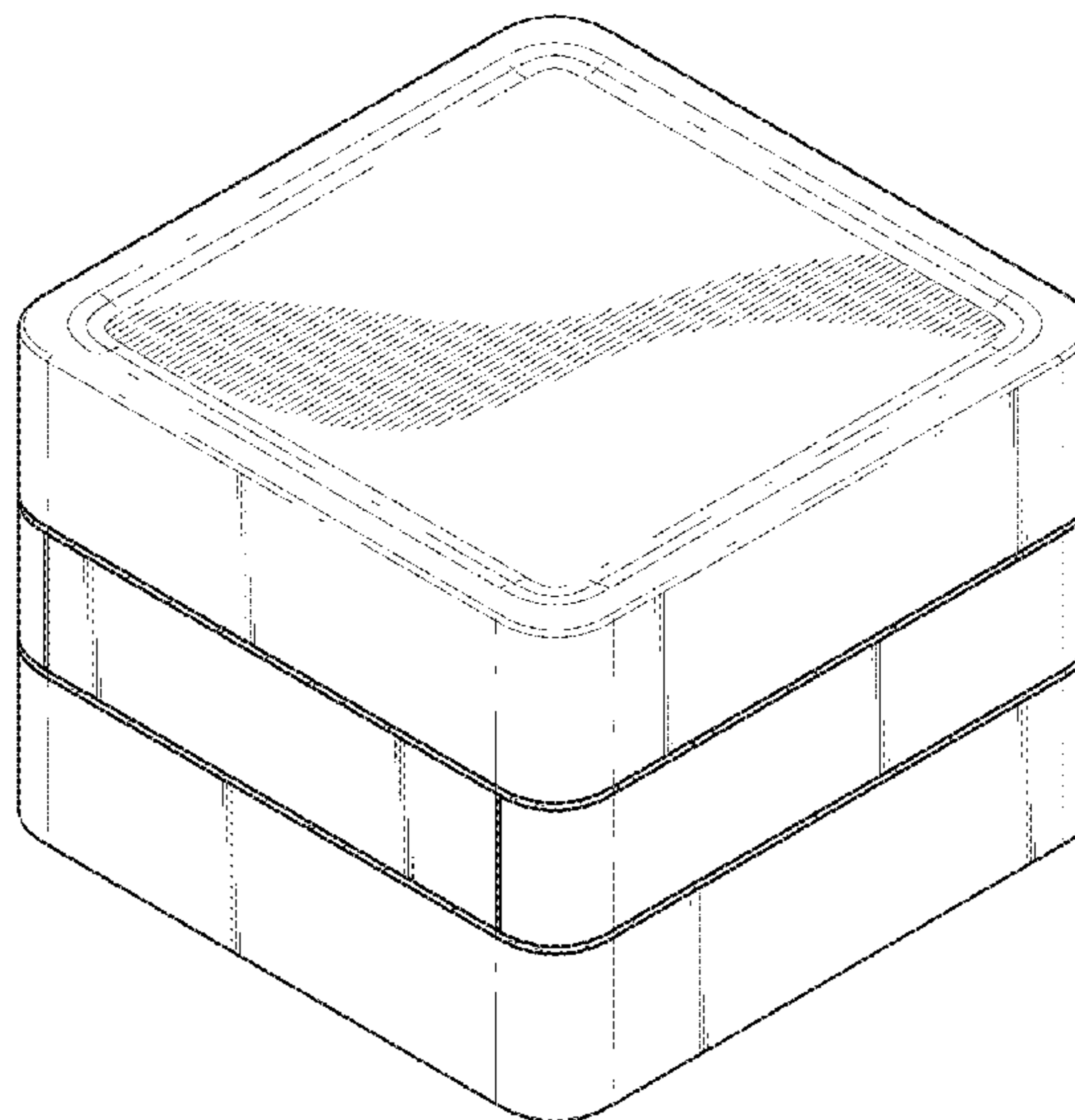
The broken lines immediately adjacent the shaded areas represent the bounds of the claim, and all other broken lines are directed to environment. The broken lines form no part of the claimed design.

(56) **References Cited**

U.S. PATENT DOCUMENTS

6,207,421 B1 * 3/2001 Middendorf C12Q 1/6869
435/6.11
D542,931 S * 5/2007 Pukall D24/232
D588,276 S * 3/2009 Isozaki D24/232
D687,561 S * 8/2013 Iseki D24/216
D717,460 S * 11/2014 Manian D24/216
D719,666 S * 12/2014 Manian D24/216
D719,667 S * 12/2014 Manian D24/216

1 Claim, 5 Drawing Sheets



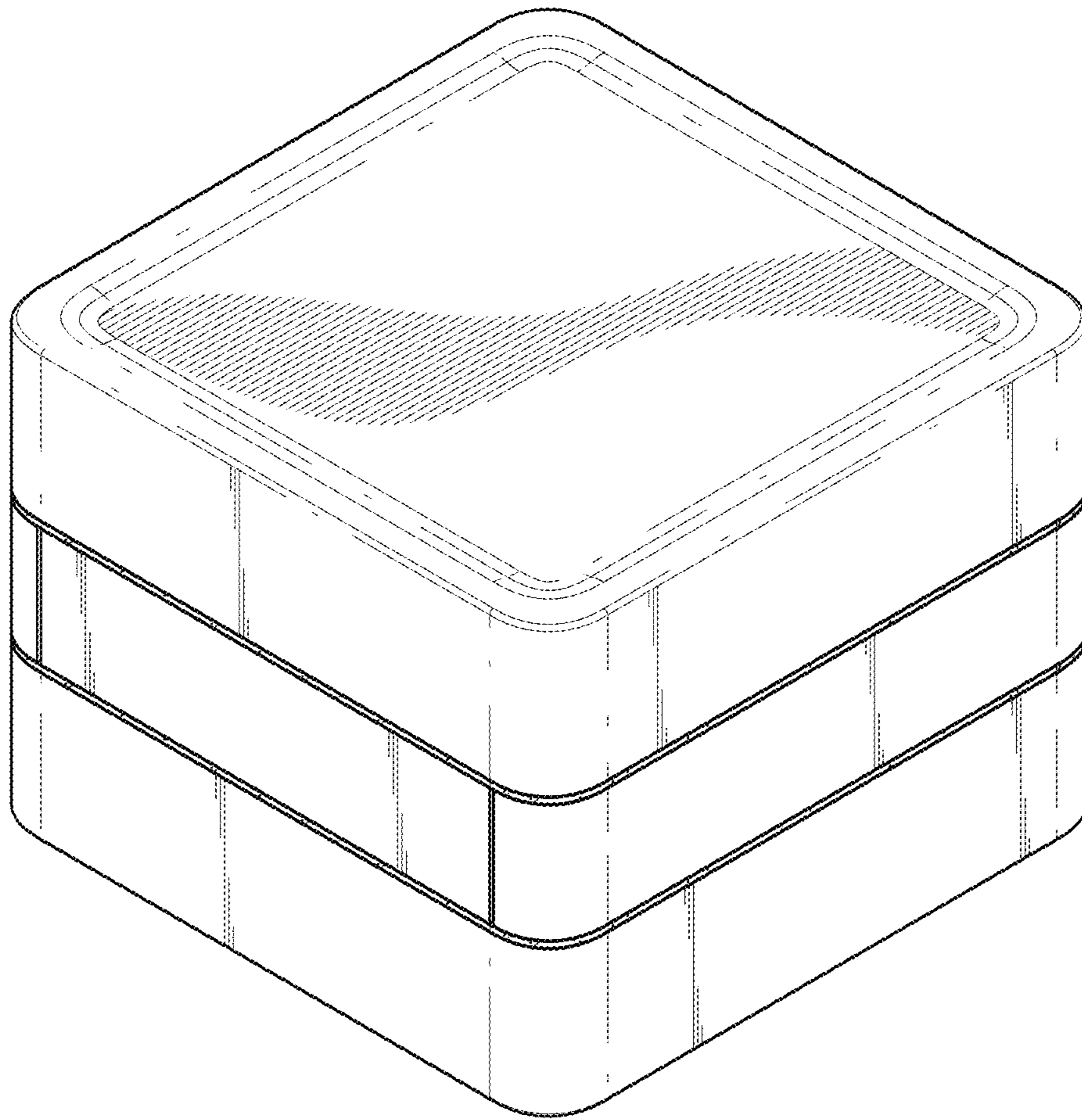


FIG. 1

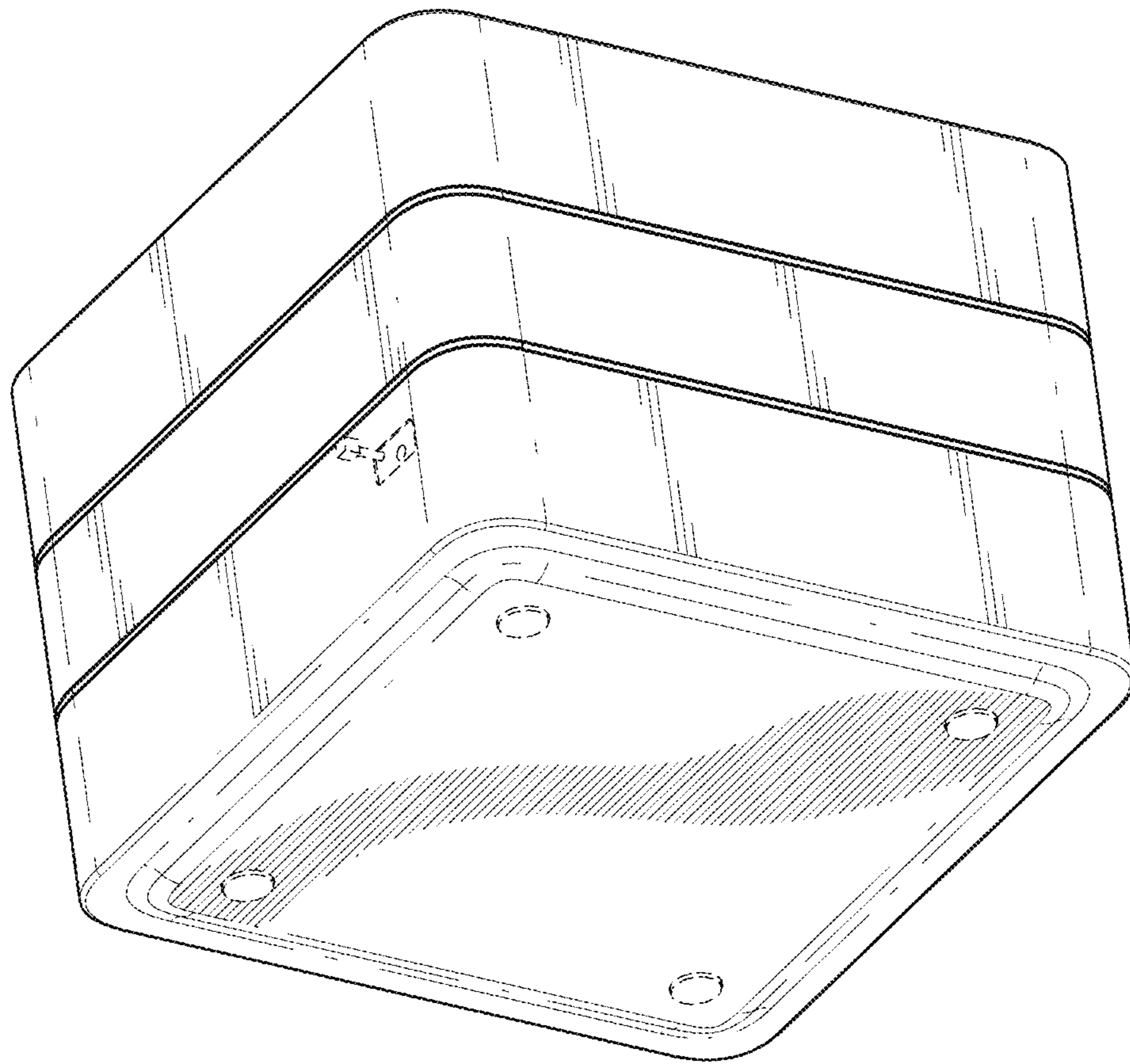


FIG. 2

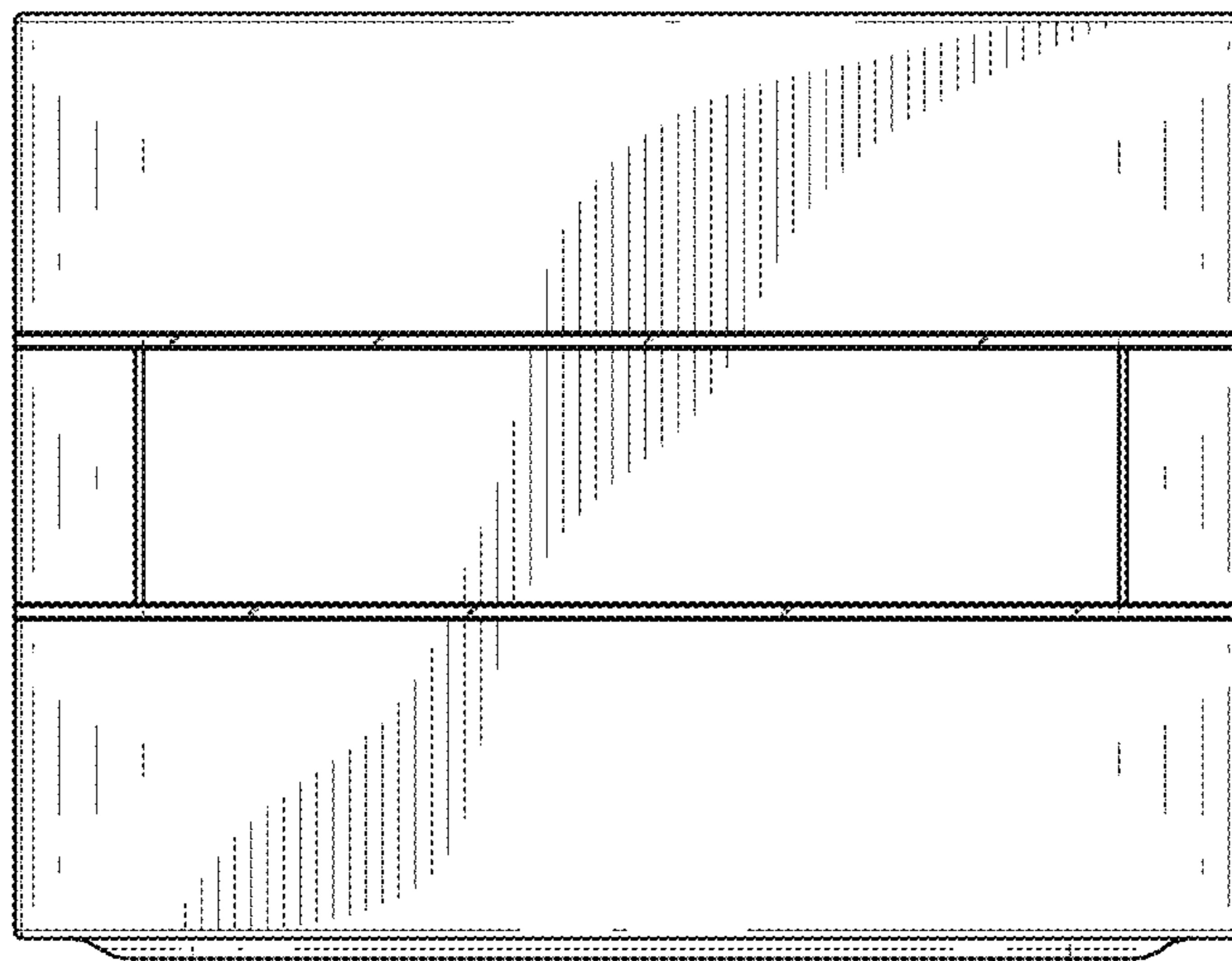


FIG. 3

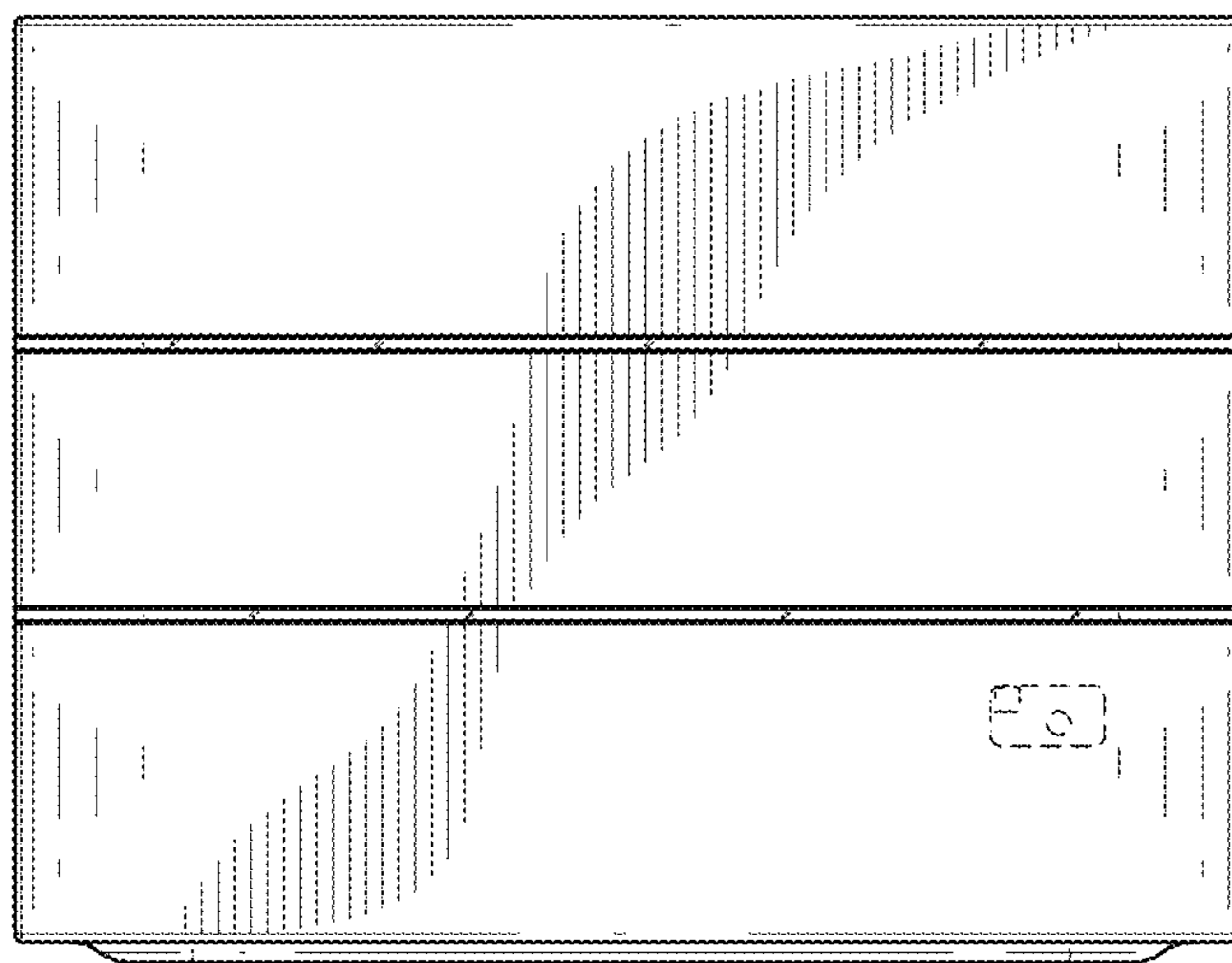


FIG. 4

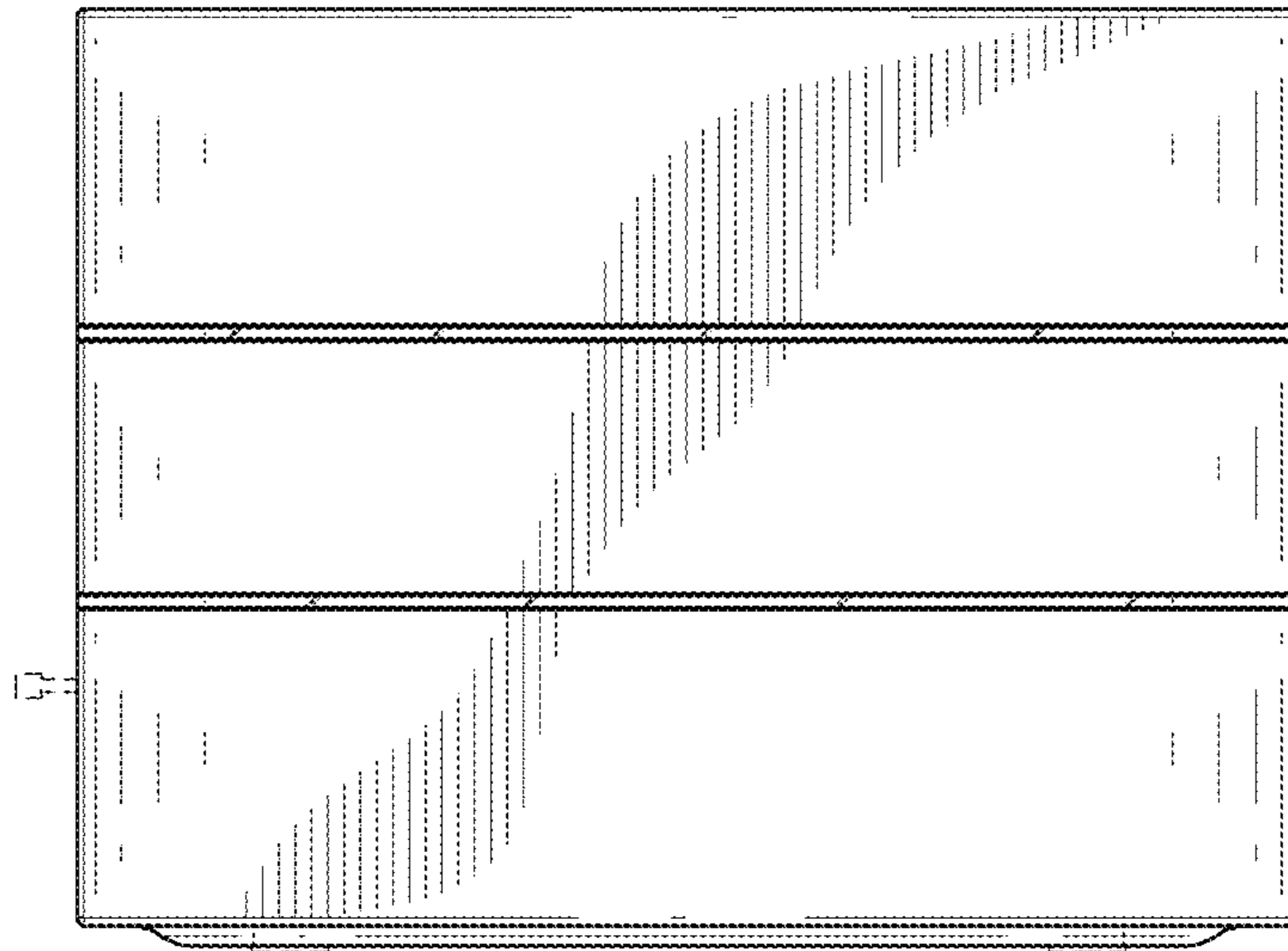


FIG. 5

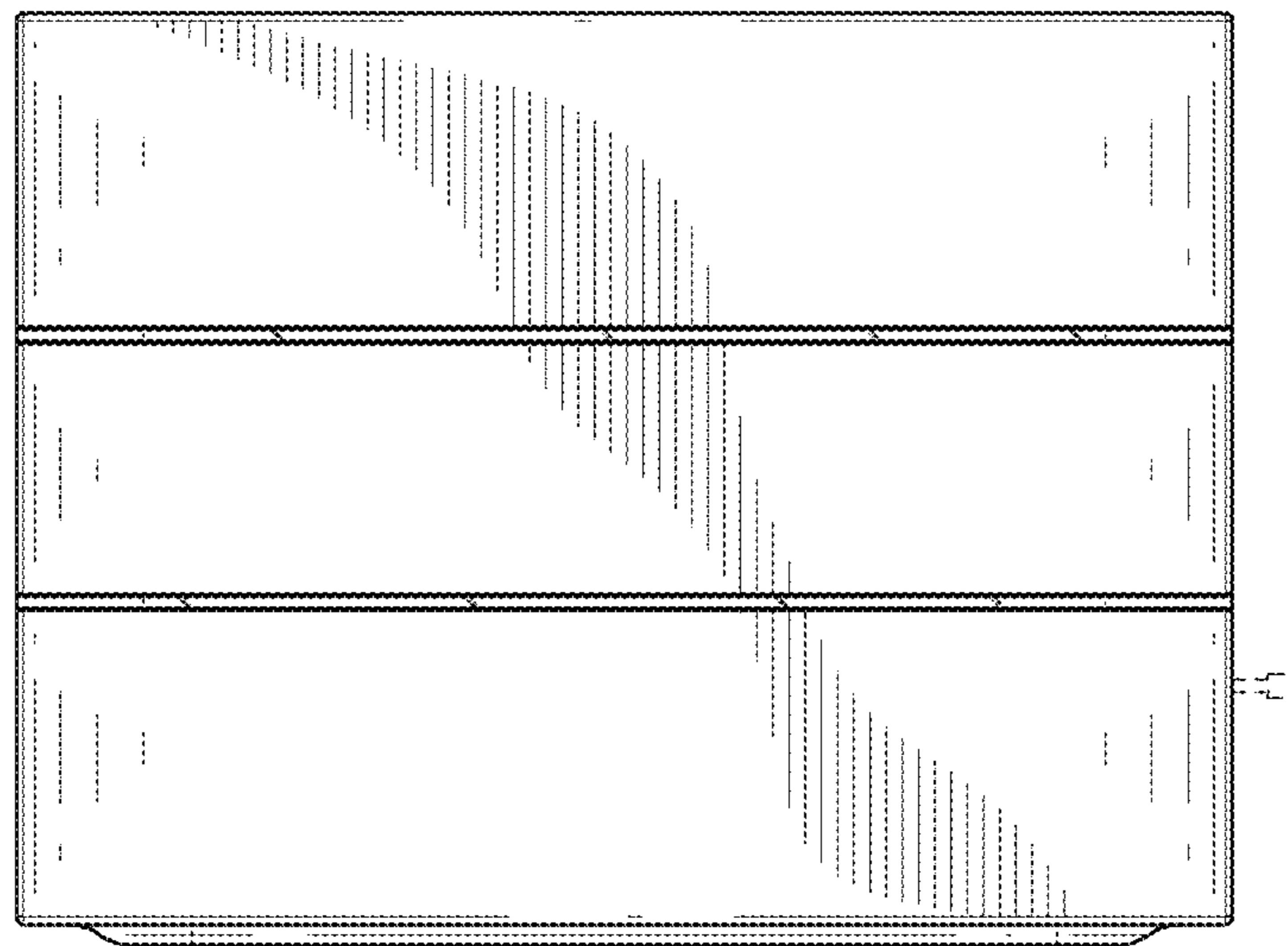


FIG. 6

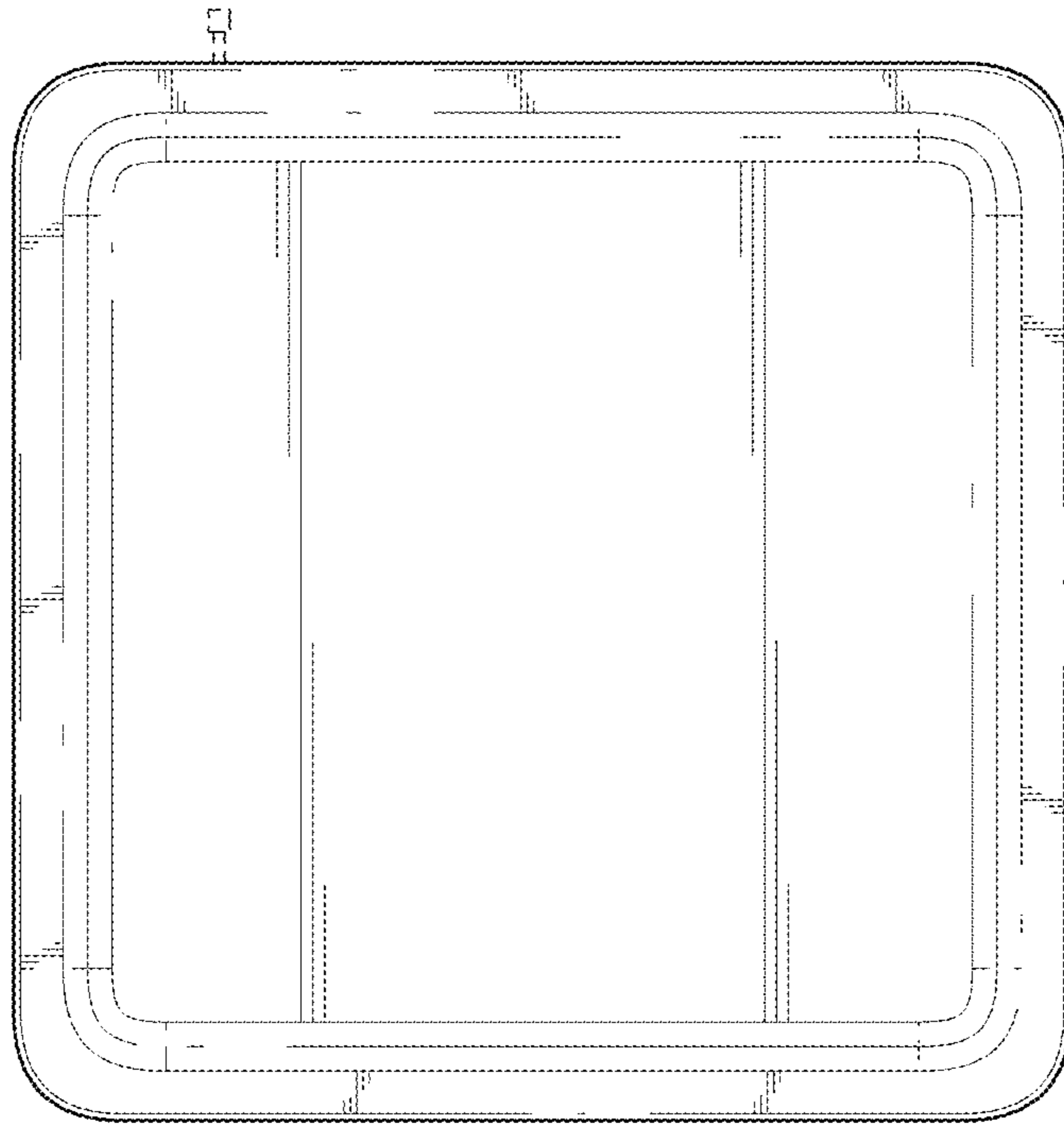


FIG. 7

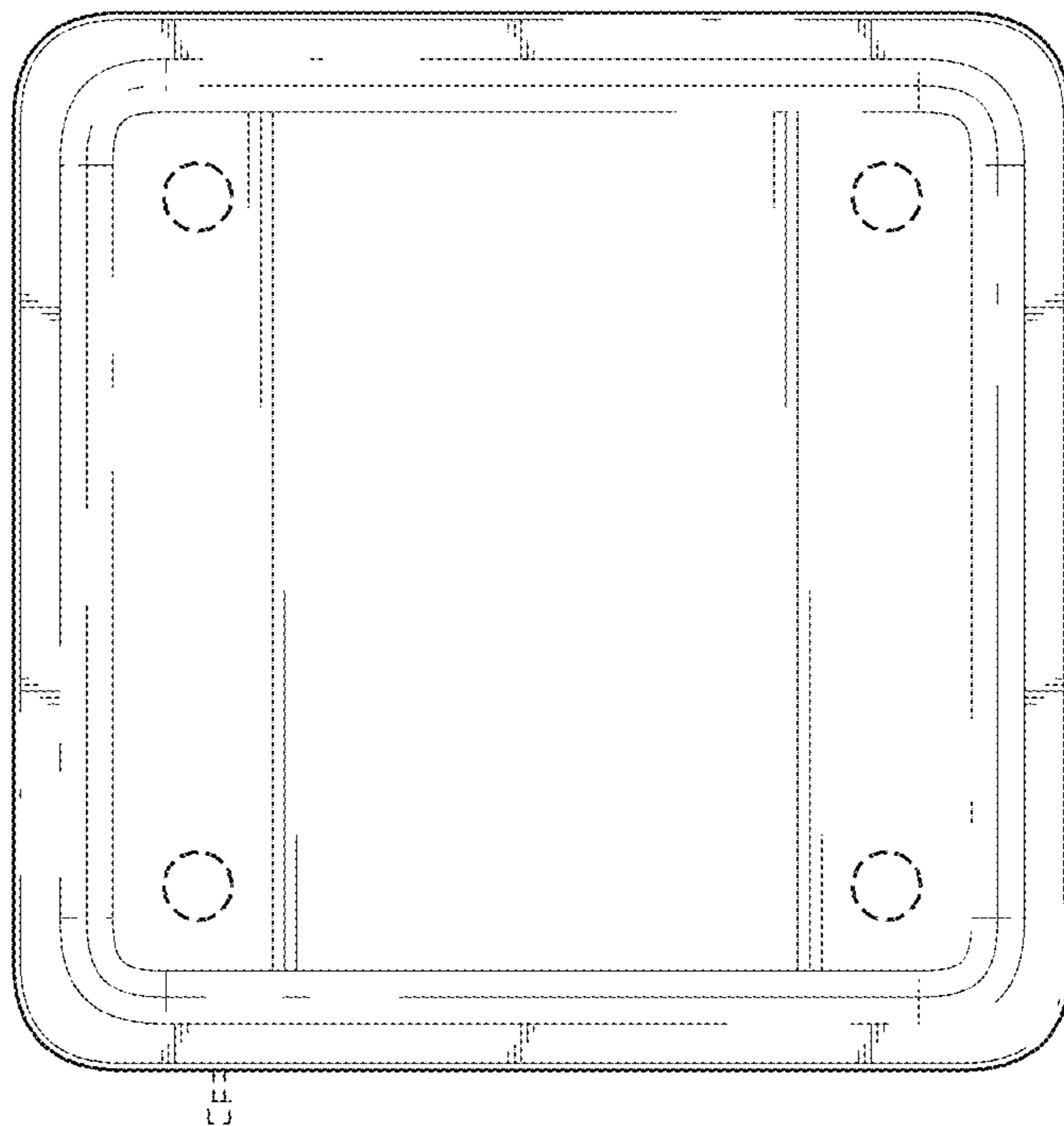


FIG. 8