

US00D774651S

(12) **United States Design Patent** (10) **Patent No.:** **US D774,651 S**
Kaib et al. (45) **Date of Patent:** **** Dec. 20, 2016**

(54) **COMBINED WEARABLE MEDICAL DEVICE AND CASE**

(71) Applicant: **Zoll Medical Corporation**,
Chelmsford, MA (US)

(72) Inventors: **Thomas E. Kaib**, Irwin, PA (US);
Rachel H. Carlson, Falls Creek, PA (US); **Phillip Amsler**, Oakmont, PA (US)

(73) Assignee: **ZOLL MEDICAL CORPORATION**,
Chelmsford, MA (US)

(**) Term: **15 Years**

(21) Appl. No.: **29/550,065**

(22) Filed: **Dec. 30, 2015**

(51) **LOC (10) Cl.** **24-01**

(52) **U.S. Cl.**

USPC **D24/186**

(58) **Field of Classification Search**

USPC D24/185-187, 167-169, 165,
D24/214-215, 129, 111, 100, 200, 106;

D14/137, 155, 341, 344-345; D10/70, 98

CPC A61N 1/39; A61N 1/3968; A61N 1/046;

A61N 1/0472; A61N 1/0492; A61N

1/3925; A61N 1/3993; H04N 2201/0084;

H04N 1/2112; G06F 3/044; G06F

3/04842; G06F 3/0482; G06F 3/0416

See application file for complete search history.

(56) **References Cited**

U.S. PATENT DOCUMENTS

D269,373 S 6/1983 Belt et al.
D326,521 S * 5/1992 Sawada D24/167
D343,901 S 2/1994 Anderson
D414,870 S * 10/1999 Saltzstein D24/186
6,422,669 B1 7/2002 Salvatori et al.

D494,681 S 8/2004 Mills et al.
D548,346 S 8/2007 Vaisnys et al.
D558,351 S * 12/2007 Diener D24/186
D584,974 S * 1/2009 Fukuda D10/70
D595,256 S * 6/2009 Mitchell D14/138 AD
D597,211 S 7/2009 Ewing et al.

(Continued)

FOREIGN PATENT DOCUMENTS

CN 303071234 * 12/2013

OTHER PUBLICATIONS

LifeVest, Zoll LifeVest, posted at Lifevest.zoll.com, not posting date given, © 2016, site visited Oct. 12, 2016, <<https://www.lifevest.zoll.com/about-us>>.*

(Continued)

Primary Examiner — Barbara Fox

Assistant Examiner — Messina L Smith

(74) *Attorney, Agent, or Firm* — The Webb Law Firm

(57) **CLAIM**

The ornamental design for a combined wearable medical device and case, as shown and described.

DESCRIPTION

FIG. 1 is an upper front perspective view of a combined wearable medical device and case showing our new design.

FIG. 2 is a front view thereof;

FIG. 3 is a rear view thereof;

FIG. 4 is a left side view thereof;

FIG. 5 is a right side view thereof;

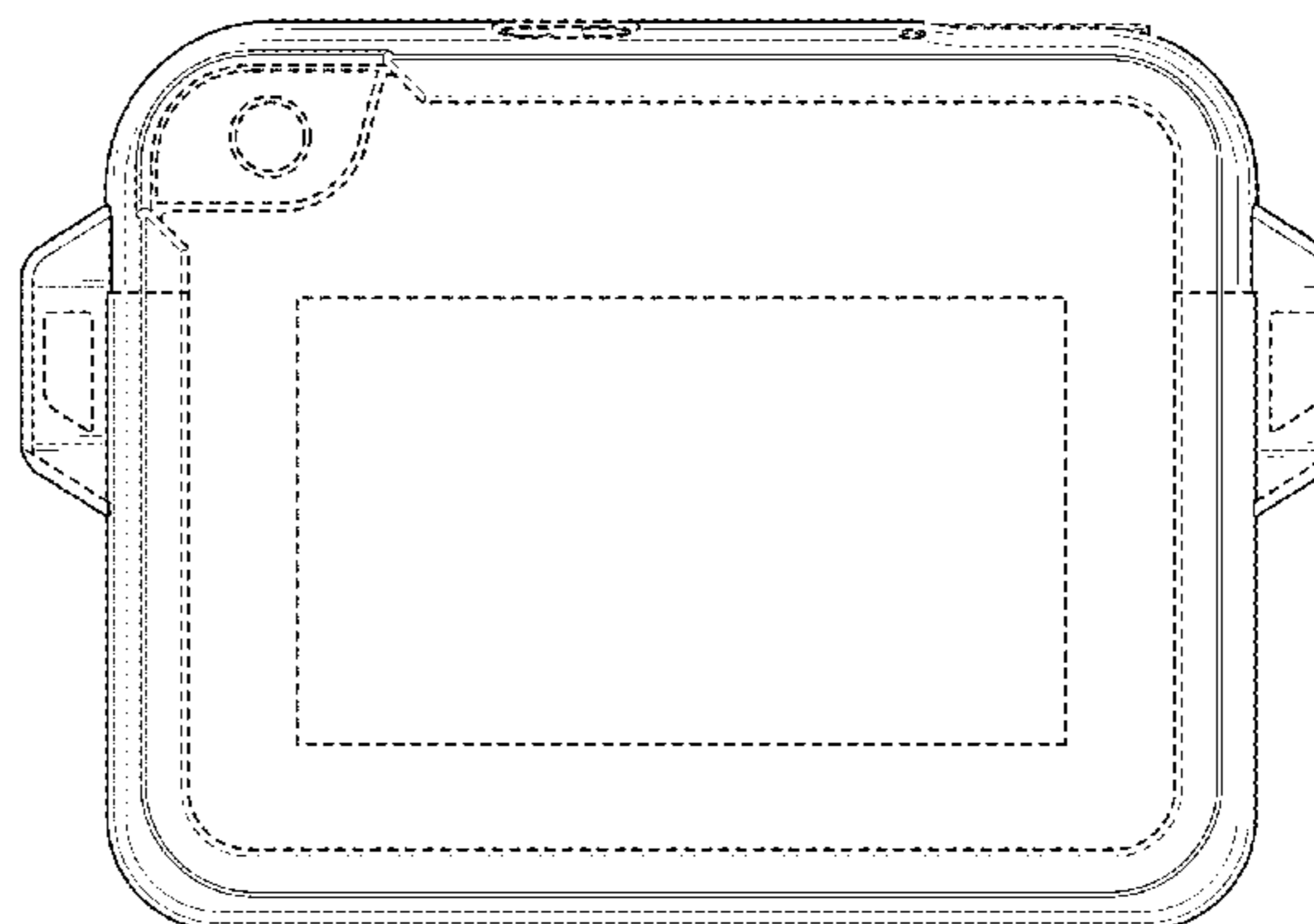
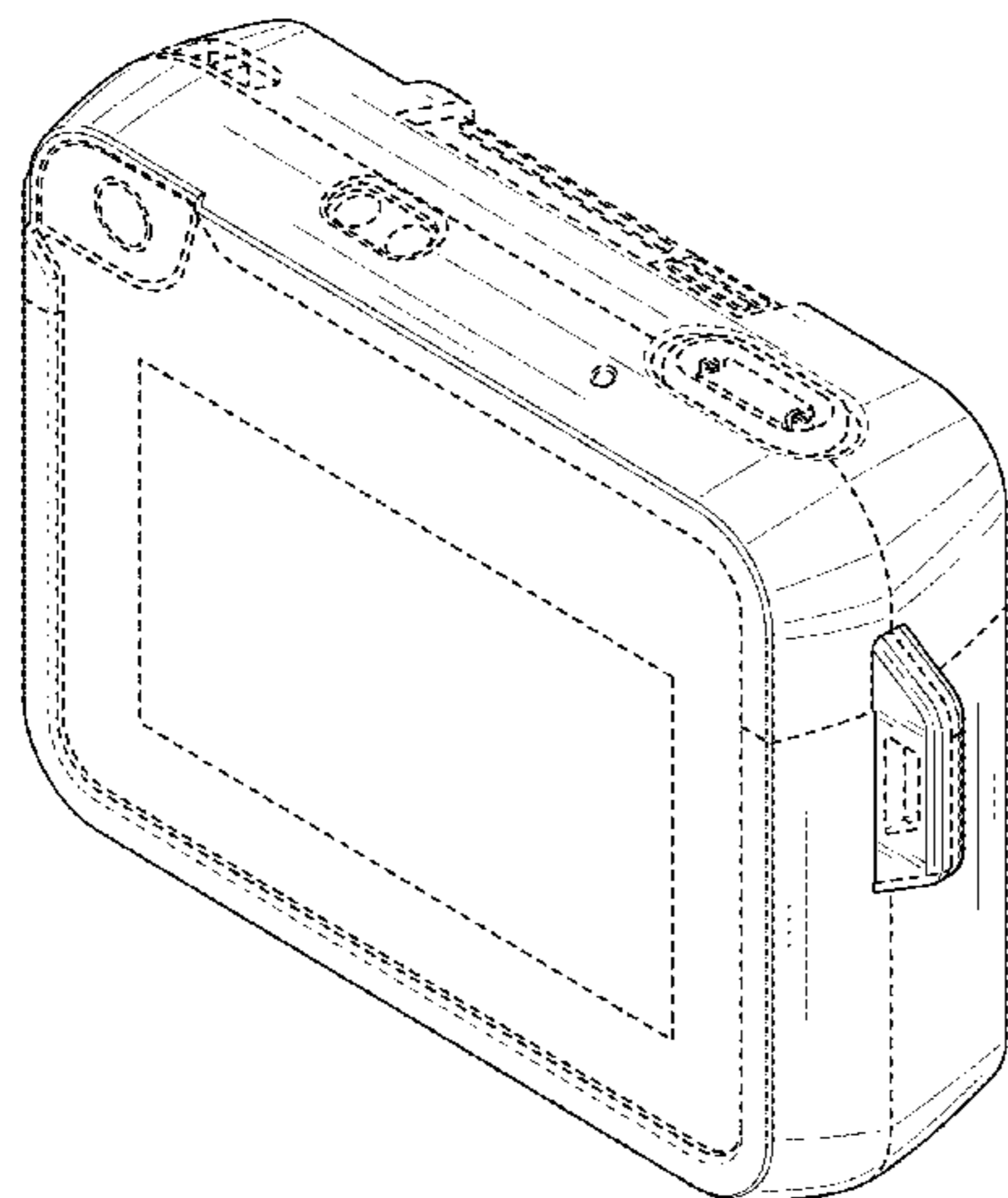
FIG. 6 is a top view thereof;

FIG. 7 is a bottom view thereof; and,

FIG. 8 is a lower rear perspective view thereof.

The portions of the combined wearable medical device and case shown in broken lines form no part of the claimed design.

1 Claim, 8 Drawing Sheets



(56)

References Cited

U.S. PATENT DOCUMENTS

D598,109 S * 8/2009 Collins D24/186
 D613,411 S * 4/2010 Collins D24/186
 D616,993 S 6/2010 Muis et al.
 D637,508 S * 5/2011 Ueda D10/98
 D643,618 S 8/2011 Guichet
 D647,621 S * 10/2011 Lee D24/186
 D659,836 S 5/2012 Bensch et al.
 D668,037 S 10/2012 London
 D676,134 S 2/2013 Saevareid et al.
 D682,806 S * 5/2013 Smith D14/155
 D690,818 S 10/2013 Pastrick et al.
 D698,925 S * 2/2014 Marzynski D24/186
 D699,430 S 2/2014 Kantor
 D700,343 S * 2/2014 Liu D24/186
 D700,778 S * 3/2014 To D14/250
 D710,350 S * 8/2014 Steiger D14/341
 D714,452 S 9/2014 Koski et al.
 D717,442 S 11/2014 Kaib et al.
 D723,170 S * 2/2015 Hsu D24/169
 D725,784 S * 3/2015 Xia D24/186
 D735,343 S * 7/2015 Dorsey D24/186
 D745,167 S * 12/2015 Canas D10/78
 D745,173 S * 12/2015 Marzynski D24/186
 D746,975 S * 1/2016 Schenck D24/111
 D750,508 S * 3/2016 Bowman D10/65

D755,393 S * 5/2016 Amsler D24/167
 D759,254 S * 6/2016 Knieriem D24/186
 D765,257 S * 8/2016 Marzynski D24/186
 D767,564 S * 9/2016 Li D14/341
 D768,127 S * 10/2016 Desch D14/341
 2003/0120311 A1 6/2003 Hansen
 2010/0241181 A1 9/2010 Savage et al.
 2014/0268519 A1* 9/2014 Huang H04B 1/3888
 361/679.01
 2015/0039039 A1* 2/2015 Macho A61N 1/3968
 607/5
 2016/0166321 A1* 6/2016 Amsler A61B 19/02
 607/5

OTHER PUBLICATIONS

Zoll Device, Risk stratification for implantable cardioverter defibrillator therapy: the role of the wearable cardioverter-defibrillator, posted at Oxfordjournals.org, posted on May 31, 2013, site visited Oct. 12, 2016, <<http://eurheartj.oxfordjournals.org/content/34/29/2230>>.*

Wearable Device, 10 Wearable Devices To Keep Patients Healthy, posted at Internetmedicine.com, posted on Nov. 27, 2013, site visited Oct. 12, 2016, <<http://internetmedicine.com/2013/11/27/10-wearable-devices-to-keep-patients-healthy/>>.*

* cited by examiner



FIG. 1

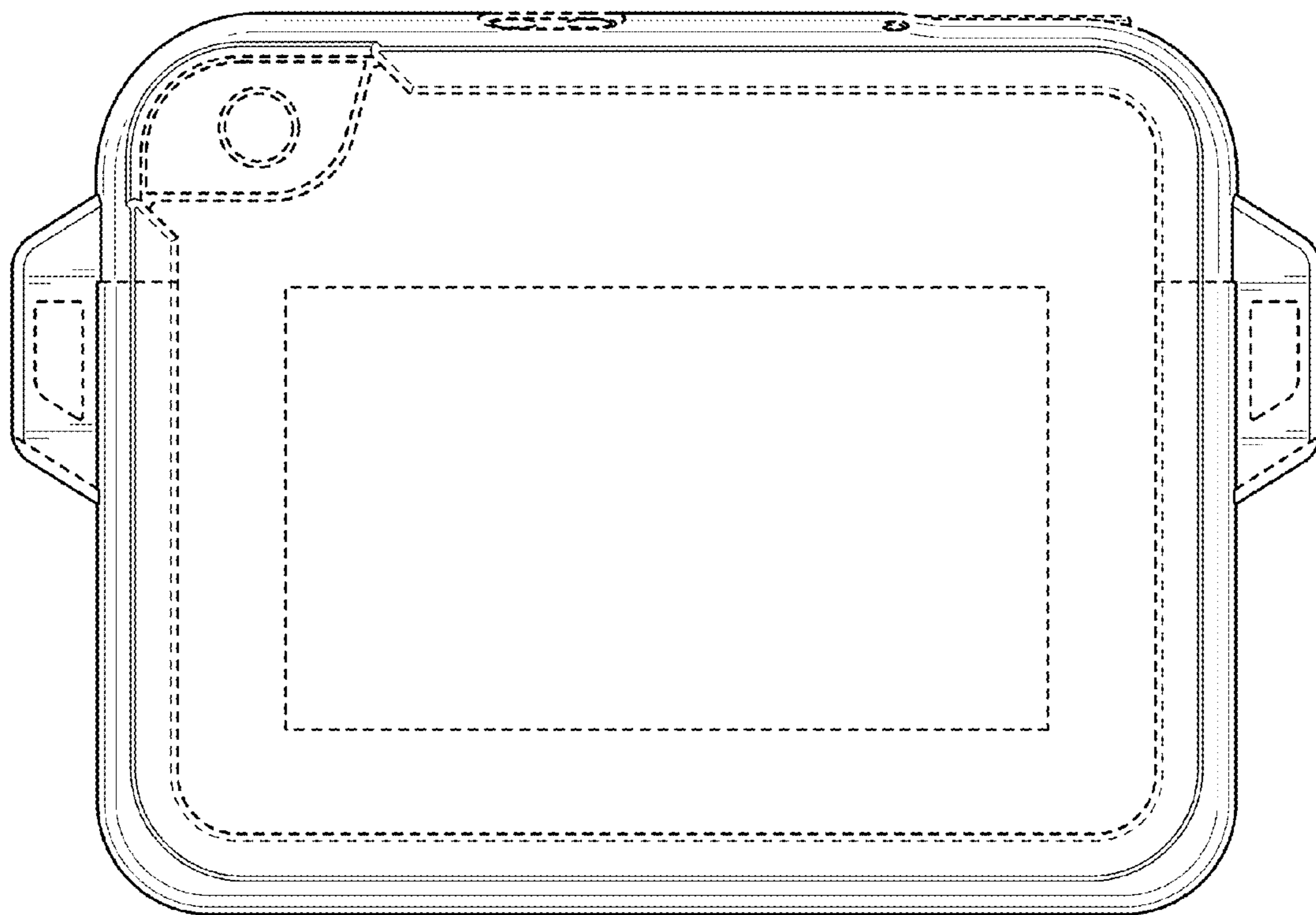


FIG. 2

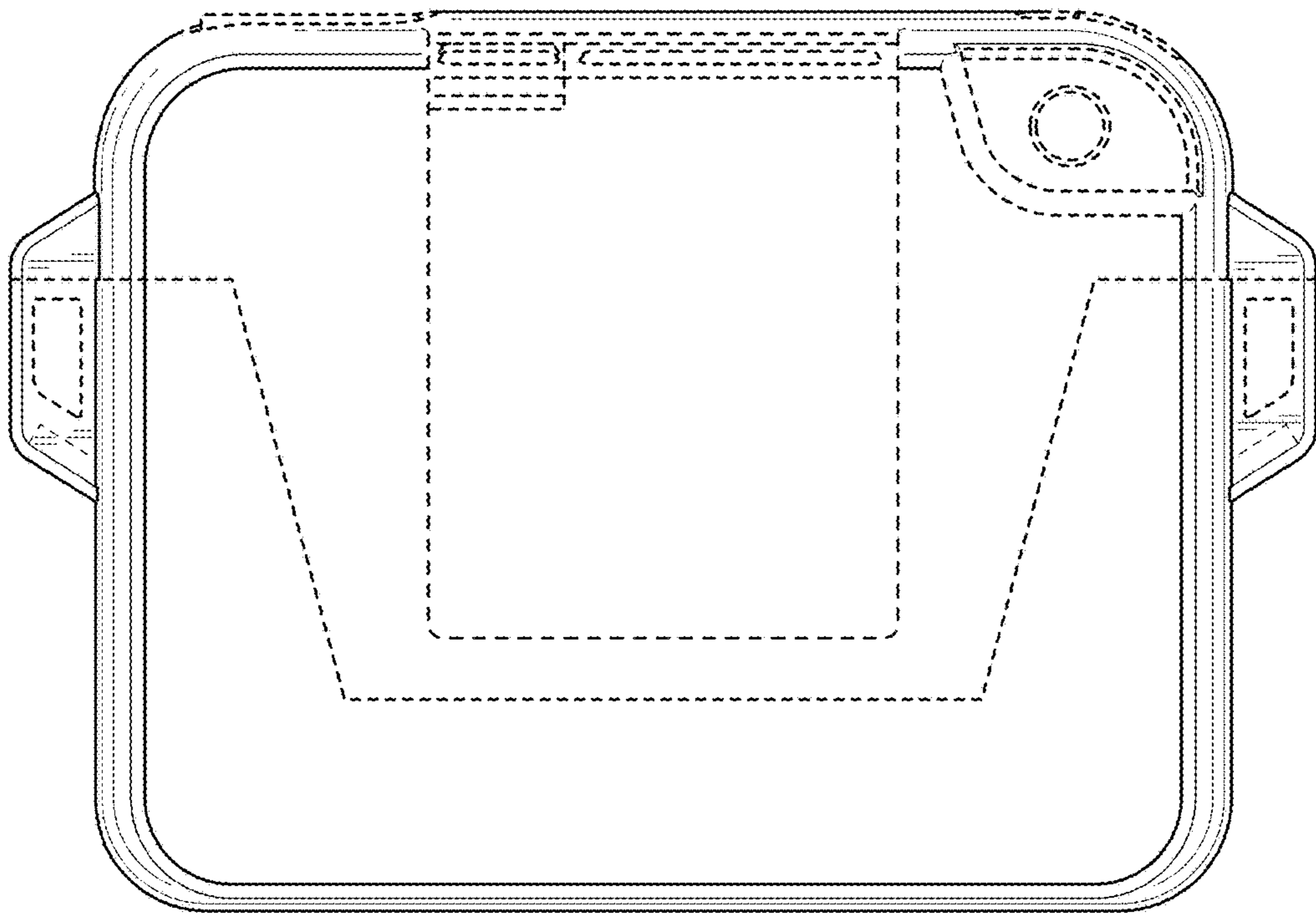


FIG. 3

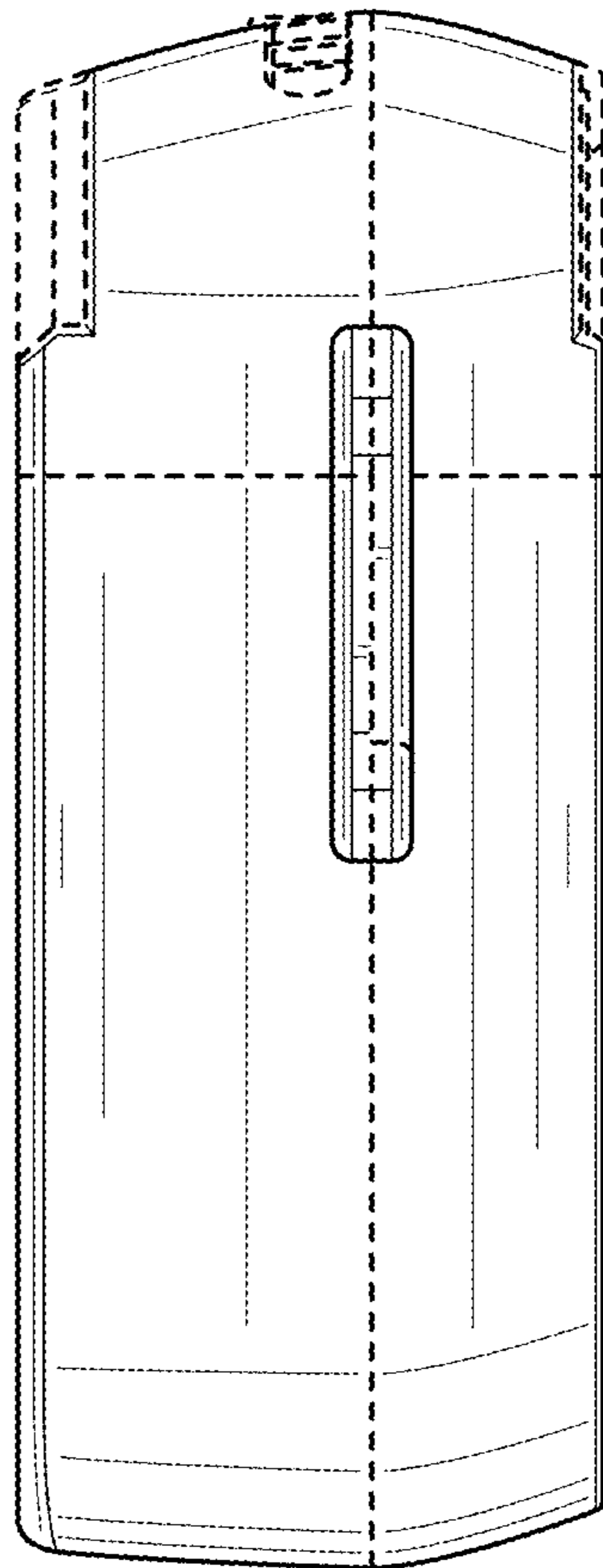


FIG. 4

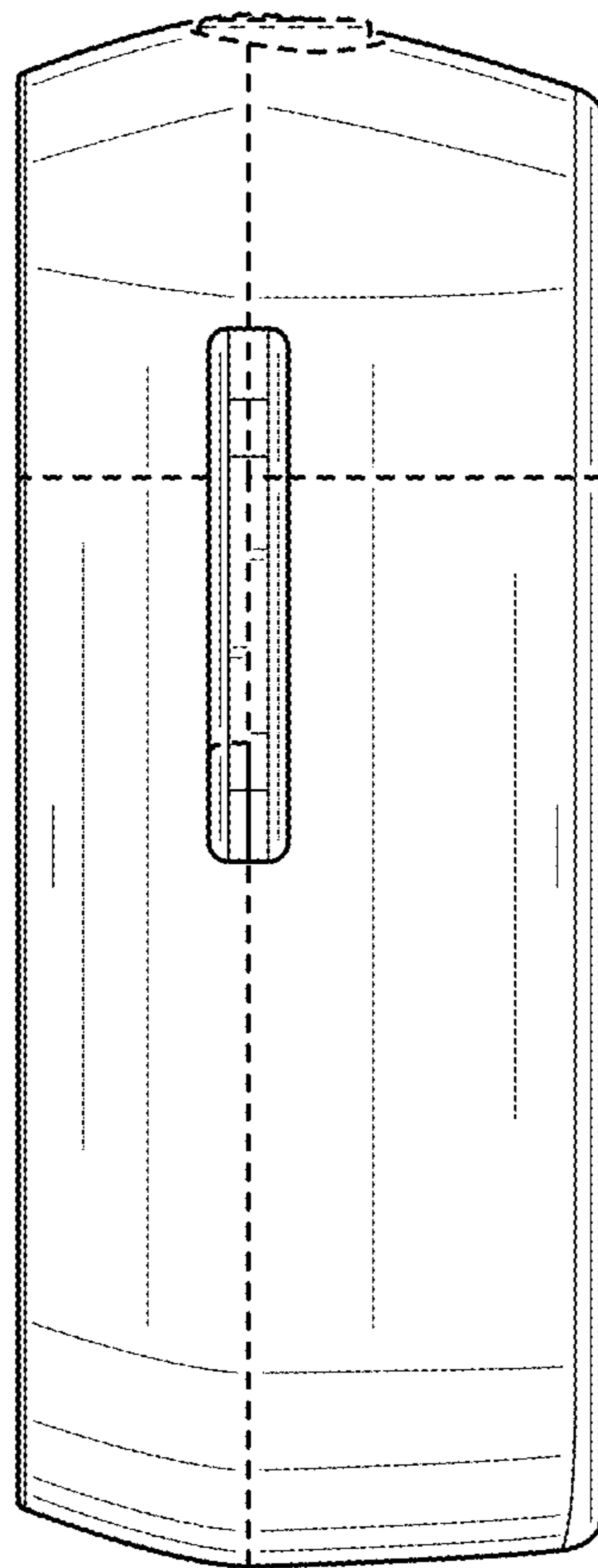


FIG. 5

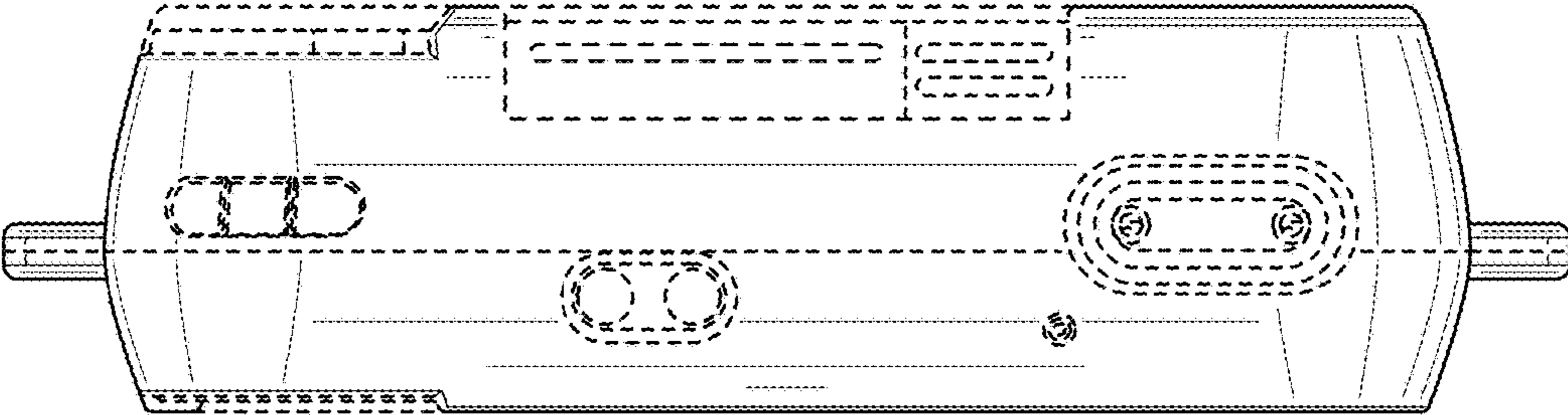


FIG. 6

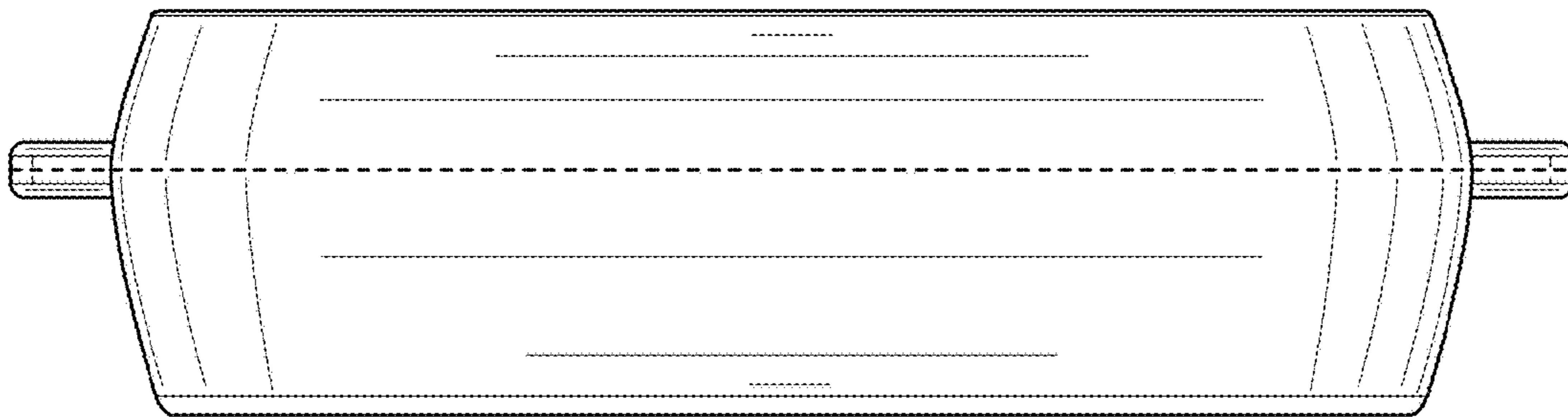


FIG. 7

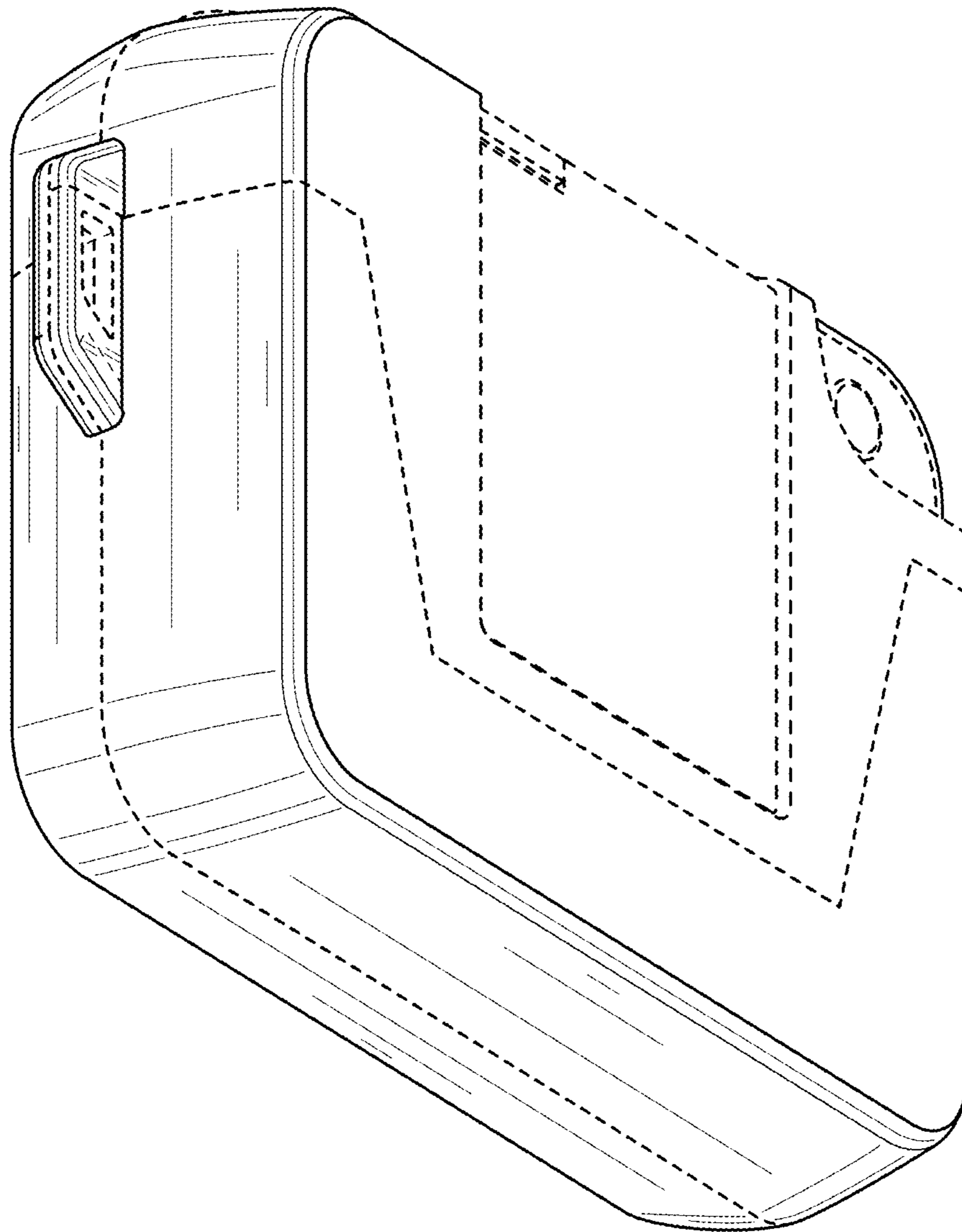


FIG. 8