



US00D774650S

(12) **United States Design Patent** (10) **Patent No.:** **US D774,650 S**
Williams et al. (45) **Date of Patent:** **** Dec. 20, 2016**

(54) **MEDICAL DEVICE STAND**

(71) Applicant: **S&S Innovations, LLC**, Memphis, TN (US)

(72) Inventors: **Keith Dawson Williams**, Germantown, TN (US); **Carlton Dee Evans**, Memphis, TN (US)

(73) Assignee: **S & S Innovations, LLC**, Memphis, TN (US)

(**) Term: **14 Years**

(21) Appl. No.: **29/525,924**

(22) Filed: **May 5, 2015**

(51) **LOC (10) Cl.** **24-02**

(52) **U.S. Cl.**
USPC **D24/185**

(58) **Field of Classification Search**
USPC D24/183–185, 176–177, 227, 21, 234;
D6/406.1–406.6; D7/550.1, 552.2, 554.3
CPC B25H 3/06; A47F 5/0025; A47B 3/08;
A47B 23/00; A47B 23/001; B60N 3/002
See application file for complete search history.

(56) **References Cited**

U.S. PATENT DOCUMENTS

2,003,241	A *	5/1935	Brown	A47B 23/001 108/131
2,844,429	A *	7/1958	Frey	A47B 23/002 108/115
D281,555	S *	12/1985	Levy	D6/406.6
D304,759	S *	11/1989	McCloskey	D24/184
D319,358	S *	8/1991	Giugiaro	D6/406.1
5,383,411	A *	1/1995	Tomaka	A47B 23/001 108/129
D385,126	S *	10/1997	Howland	D6/406.6

(Continued)

Primary Examiner — Wan Laymon

(74) *Attorney, Agent, or Firm* — Harris, Shelton, Hanover & Walsh; Susan B. Fentress

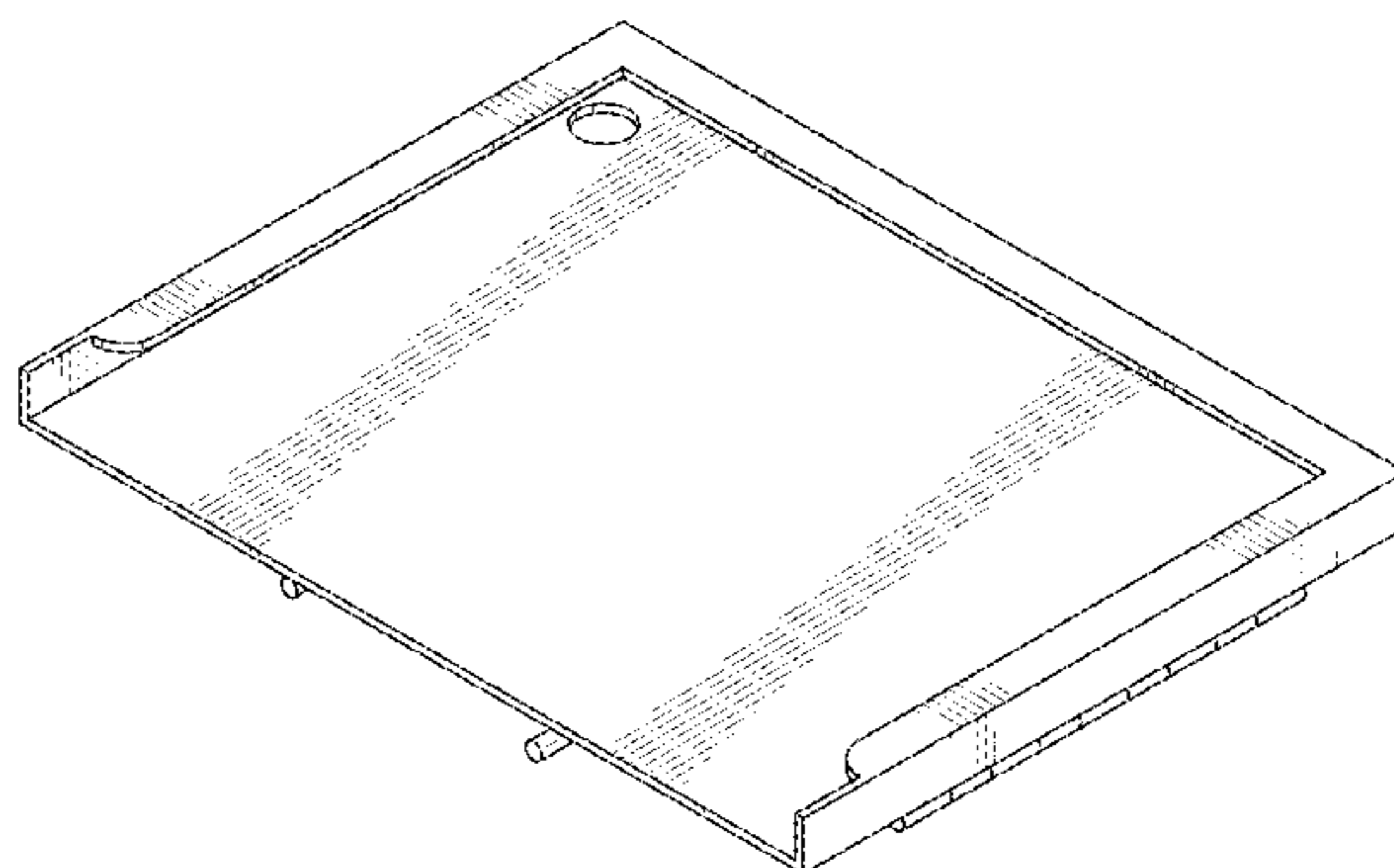
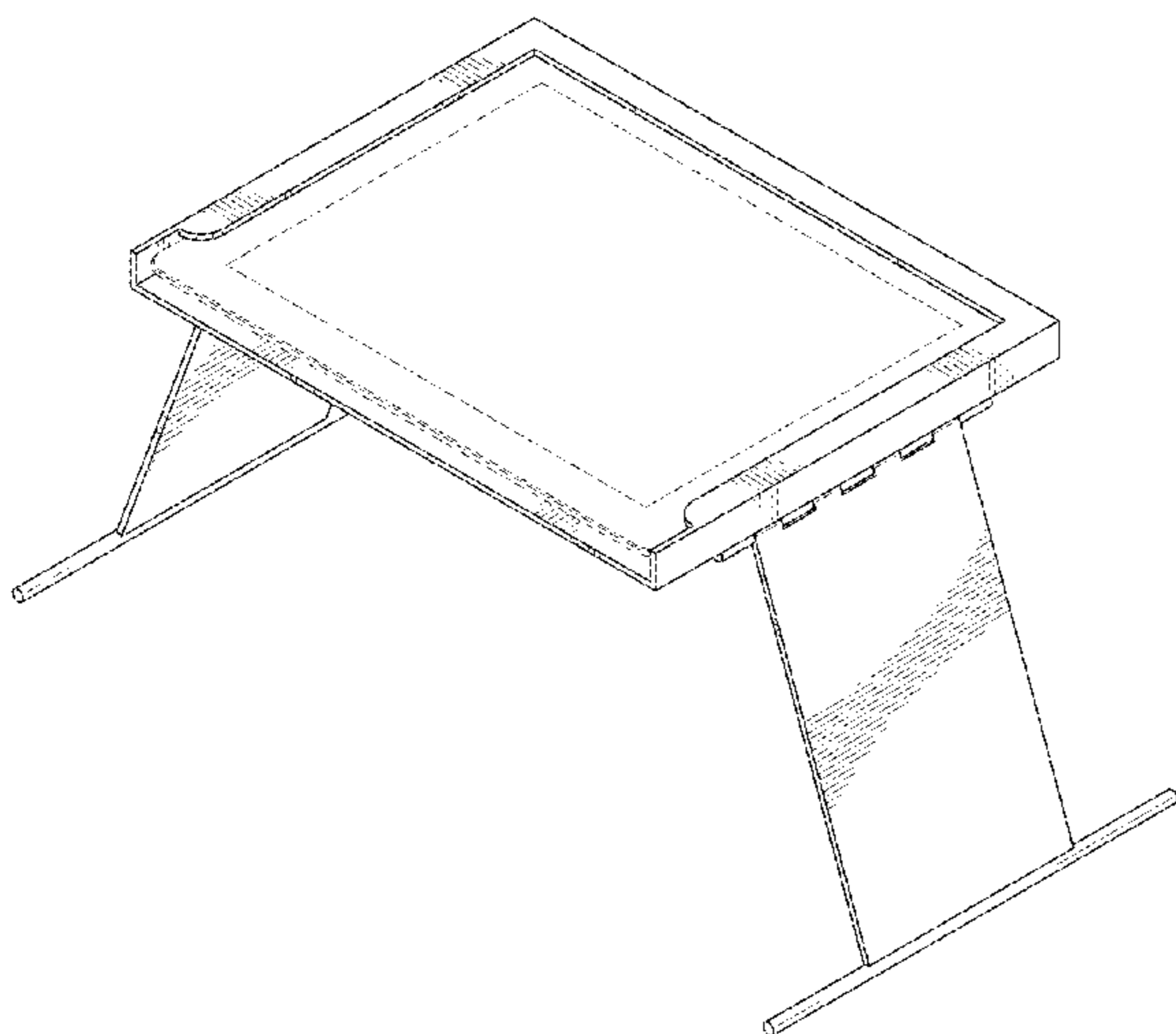
(57) **CLAIM**

The ornamental design for a medical device stand, substantially as shown and described.

DESCRIPTION

FIG. 1 is an isometric view showing our new design in the unfolded configuration;
 FIG. 2 is a front isometric view showing our new design in the unfolded configuration;
 FIG. 3 is a right side elevational view showing our new design in the unfolded configuration;
 FIG. 4 is a rear view showing our new design in the unfolded configuration;
 FIG. 5 is a left side elevational view showing our new design in the unfolded configuration;
 FIG. 6 is a top view showing our new design in the unfolded configuration;
 FIG. 7 is a bottom view showing our new design in the unfolded configuration;
 FIG. 8 is an isometric view showing our new design in the folded configuration;
 FIG. 9 is a front view showing our new design in the folded configuration;
 FIG. 10 is a right view showing our new design in the folded configuration;
 FIG. 11 is a rear view showing our new design in the folded configuration;
 FIG. 12 is a left side view showing our new design in the folded configuration;
 FIG. 13 is a top view showing our new design in the folded configuration; and,
 FIG. 14 is a bottom view showing our new design in the folded configuration.
 The broken line shown in FIG. 1 is for the purpose of illustrating environmental structure and forms no part of the claimed design.

1 Claim, 11 Drawing Sheets



(56)

References Cited

U.S. PATENT DOCUMENTS

6,170,405 B1 * 1/2001 Weitzman A47B 23/001
108/174
D619,822 S * 7/2010 Damgaard-Sorensen .. D6/406.1
D626,239 S * 10/2010 Lia D24/185

* cited by examiner

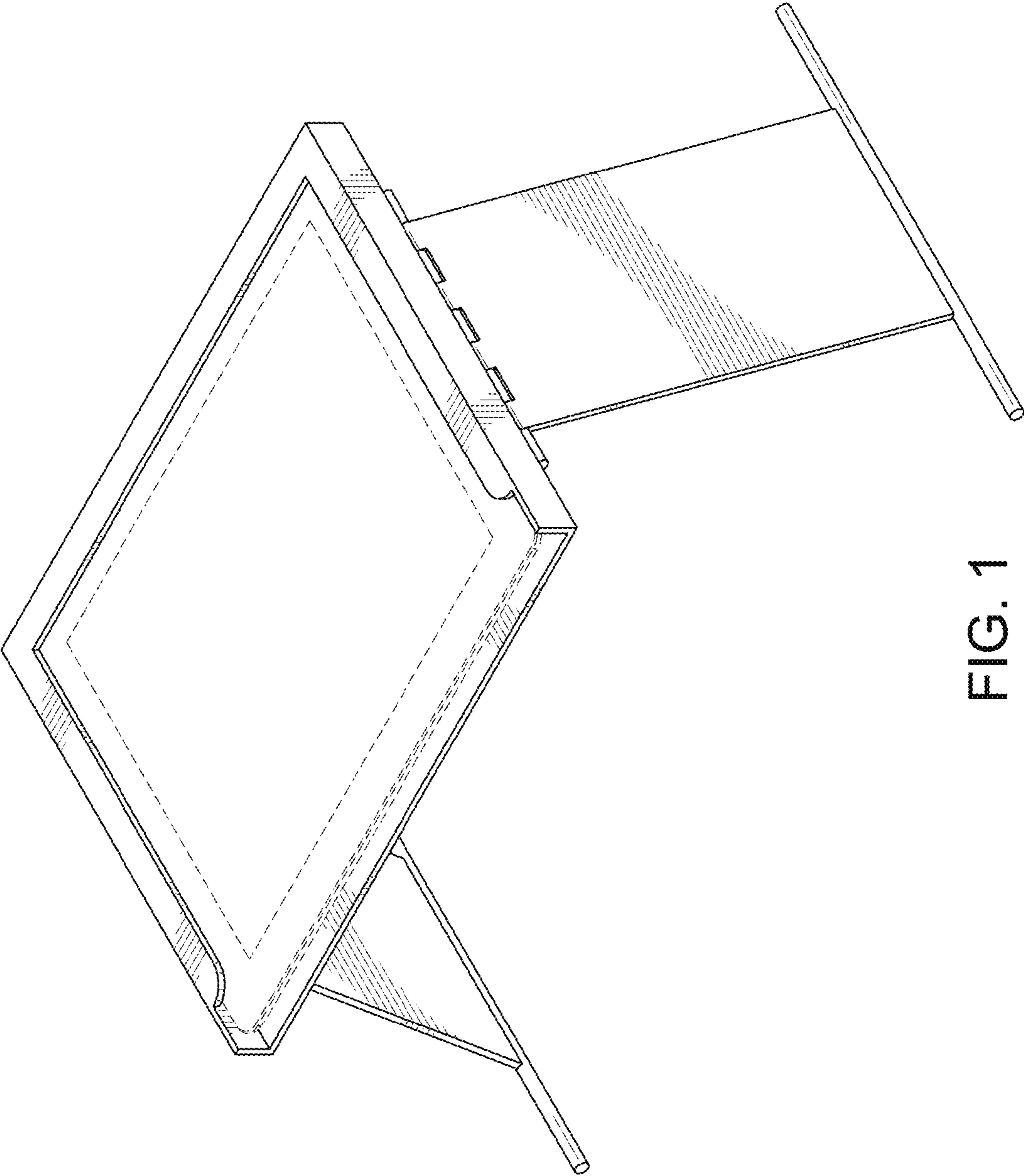


FIG. 1

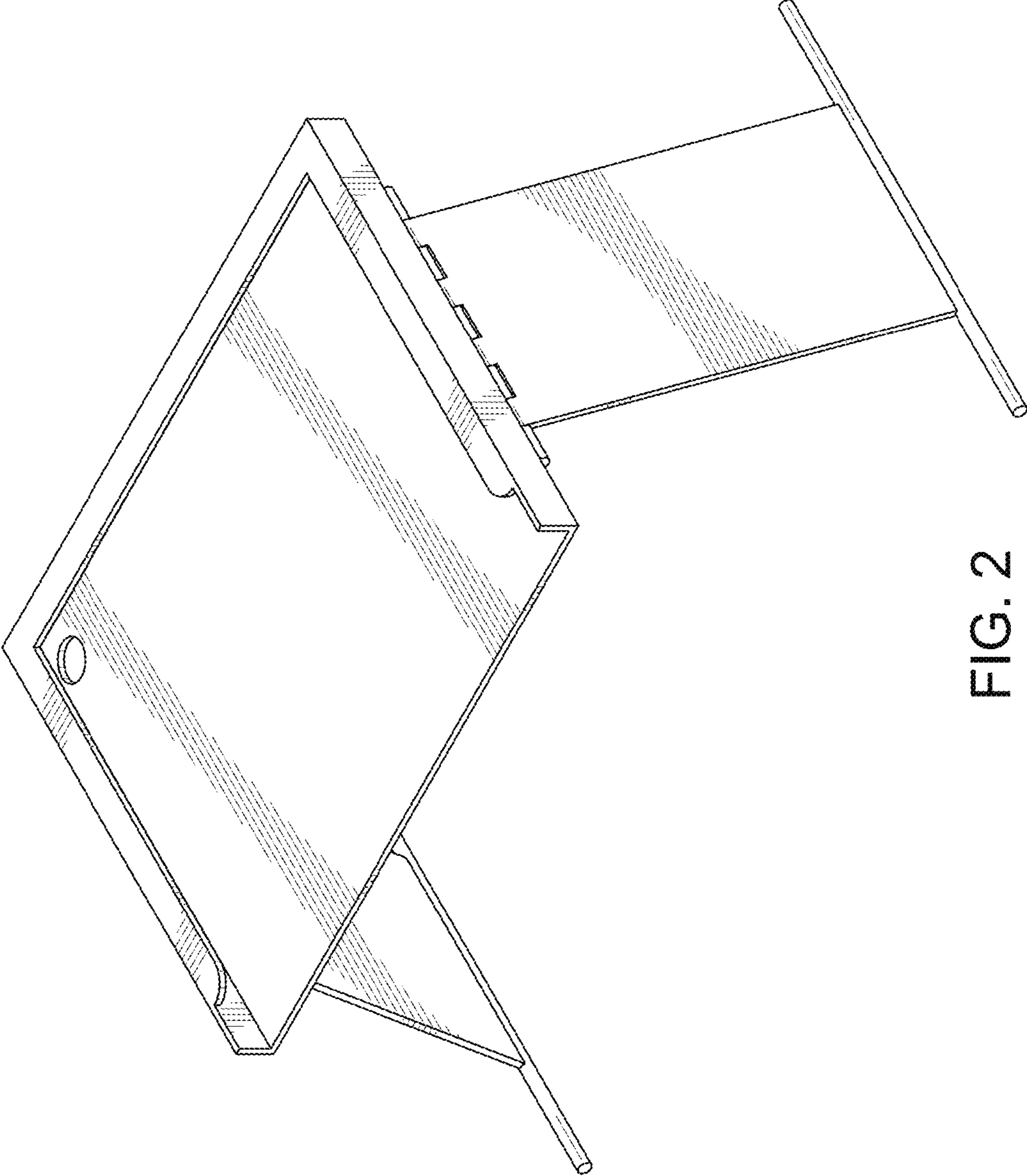


FIG. 2

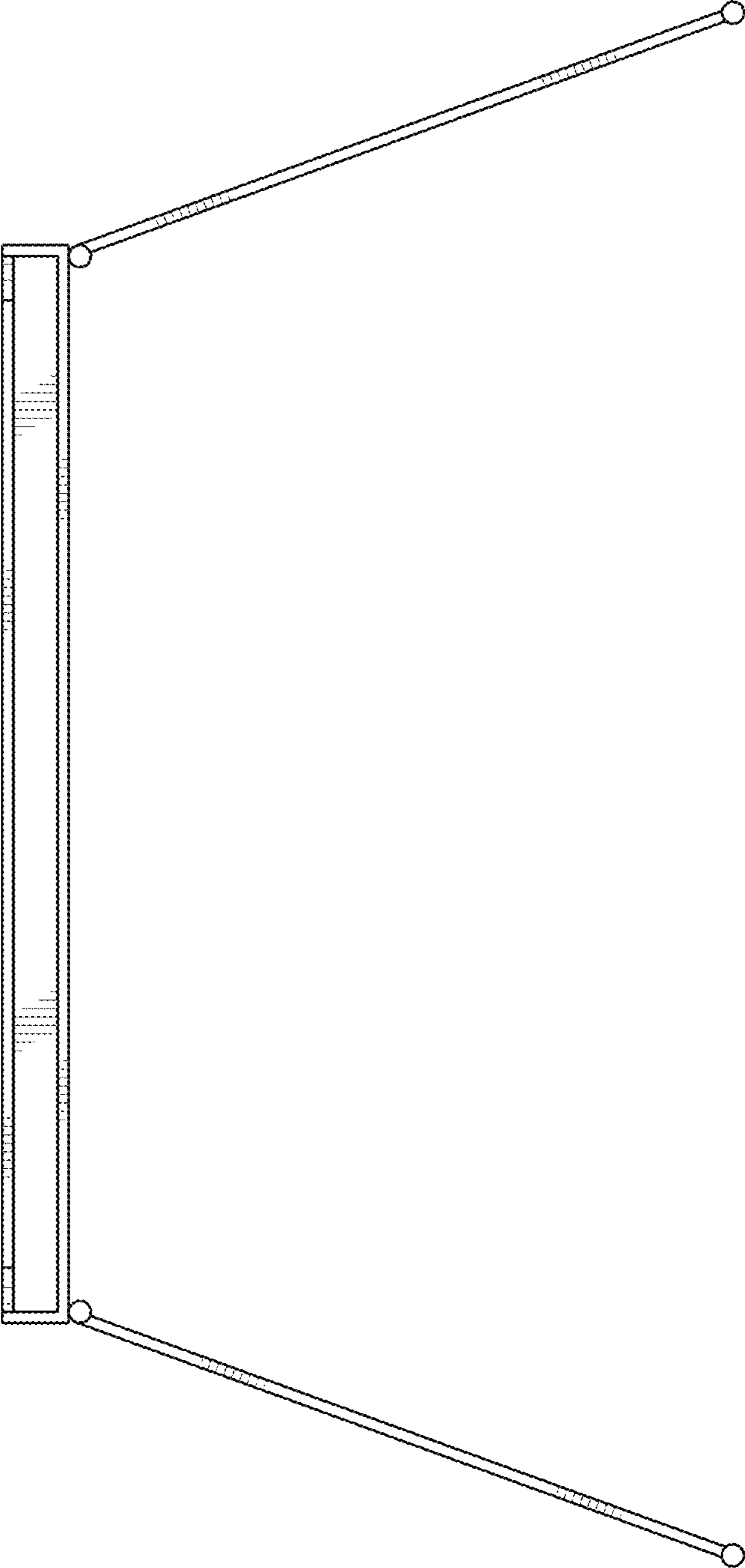


FIG. 3

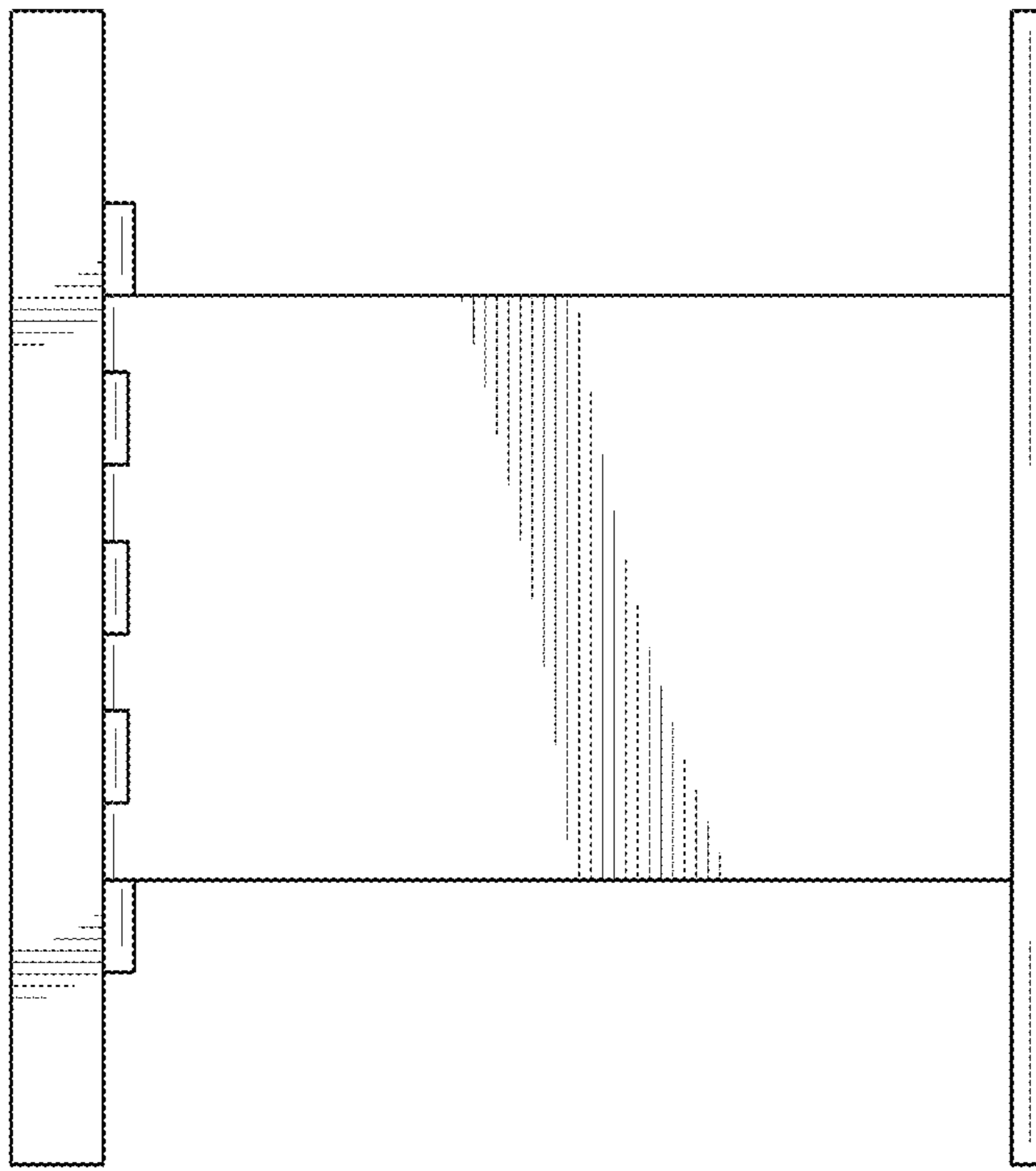


FIG. 4

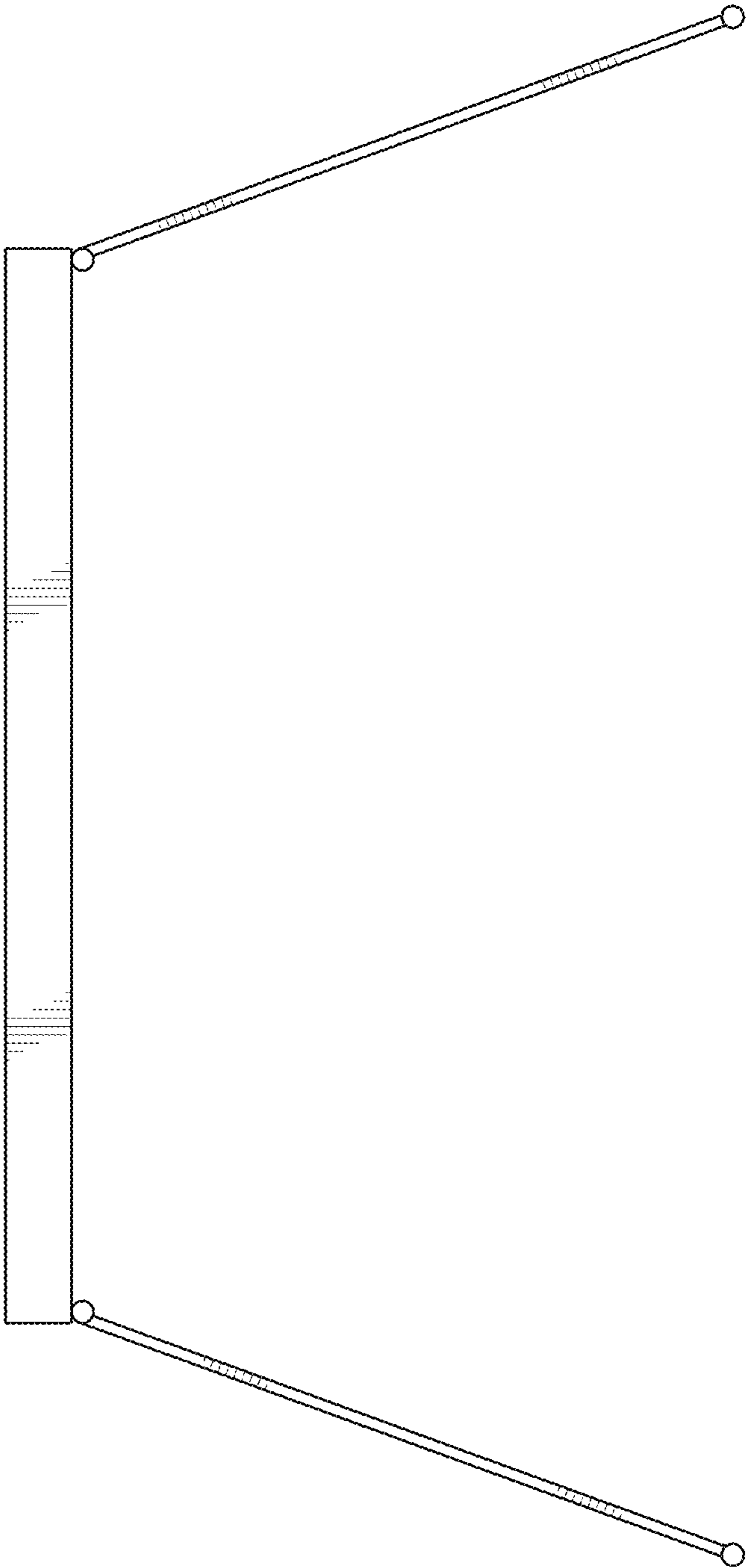


FIG. 5

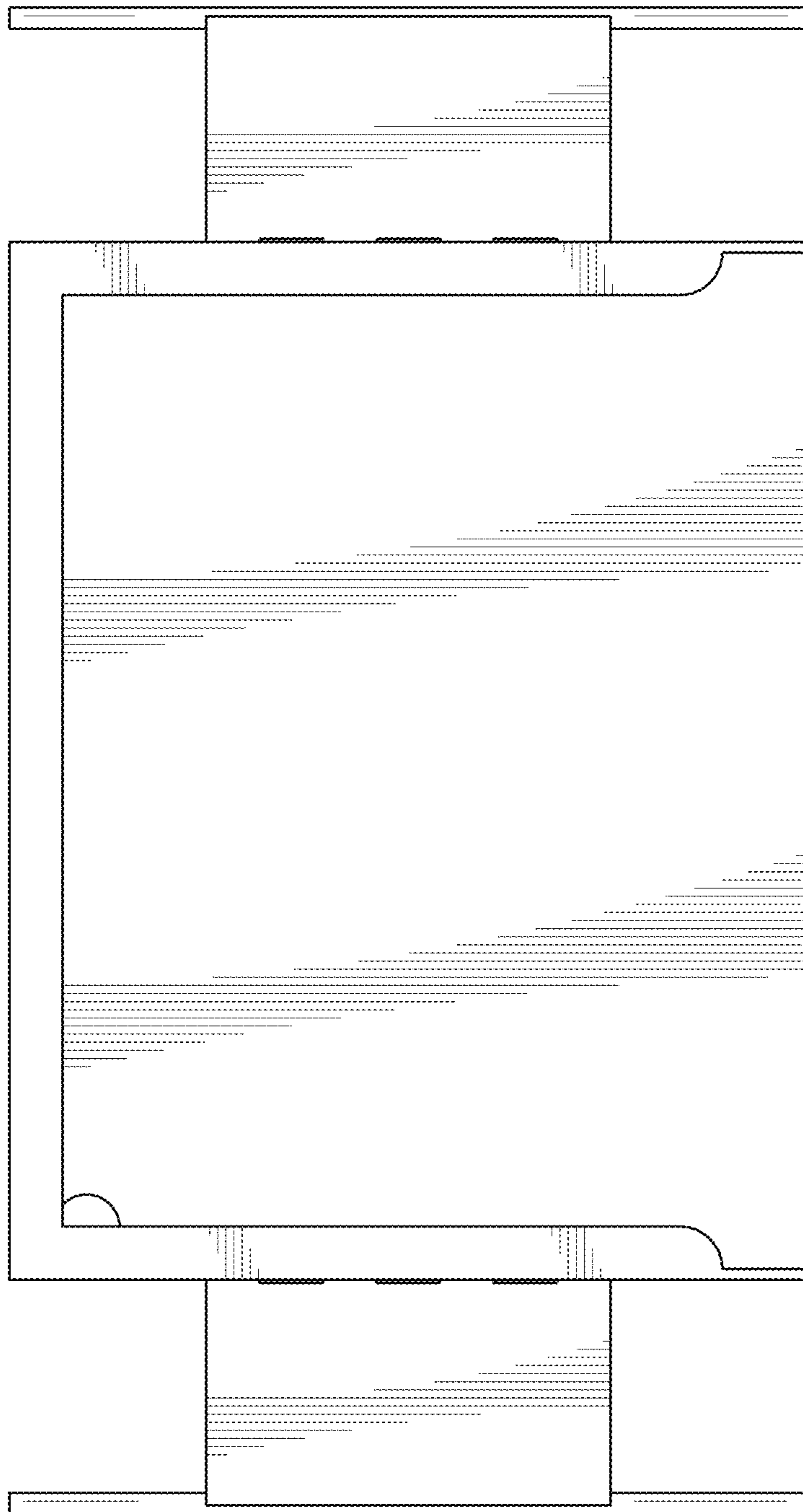


FIG. 6

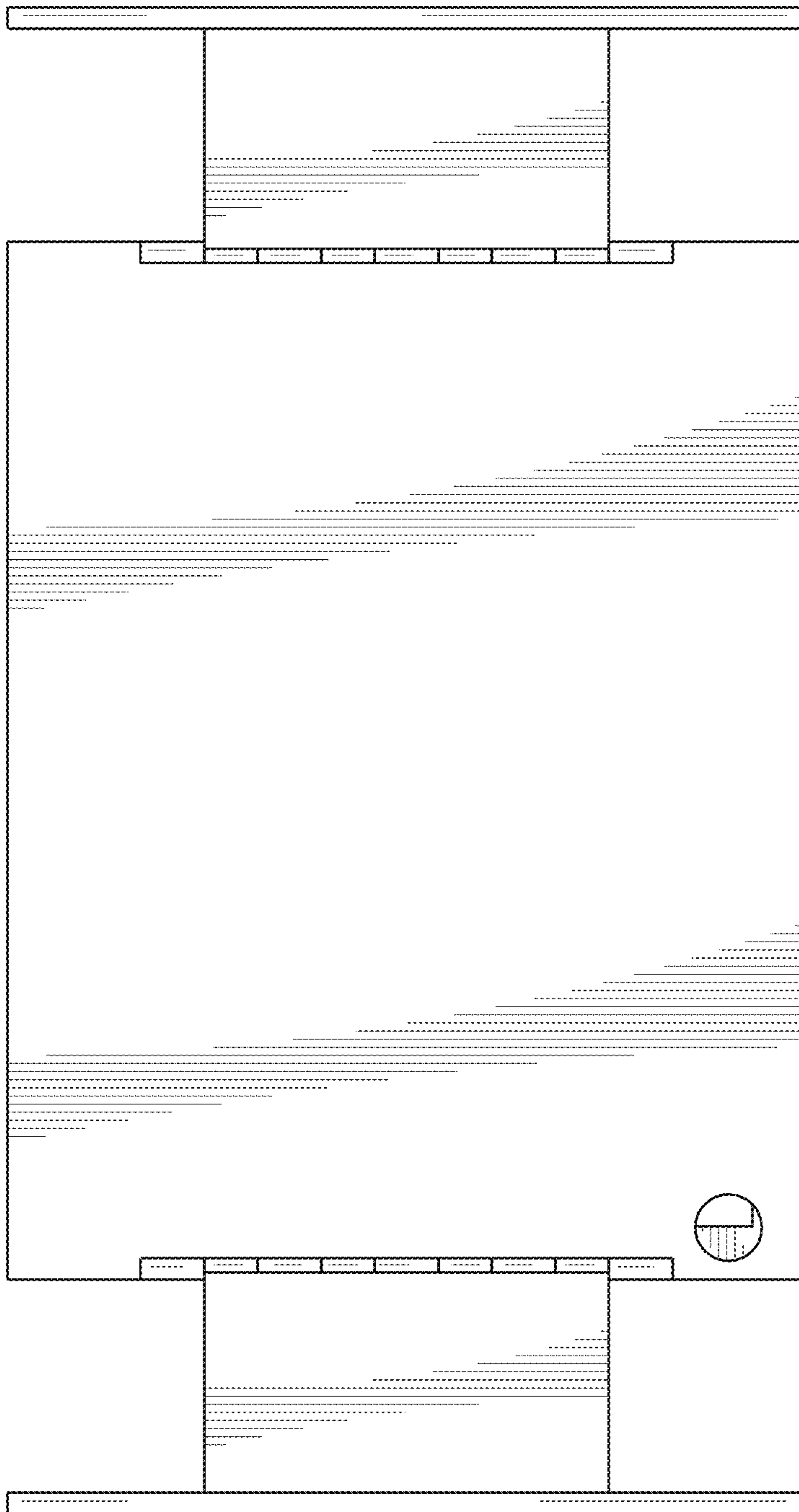


FIG. 7

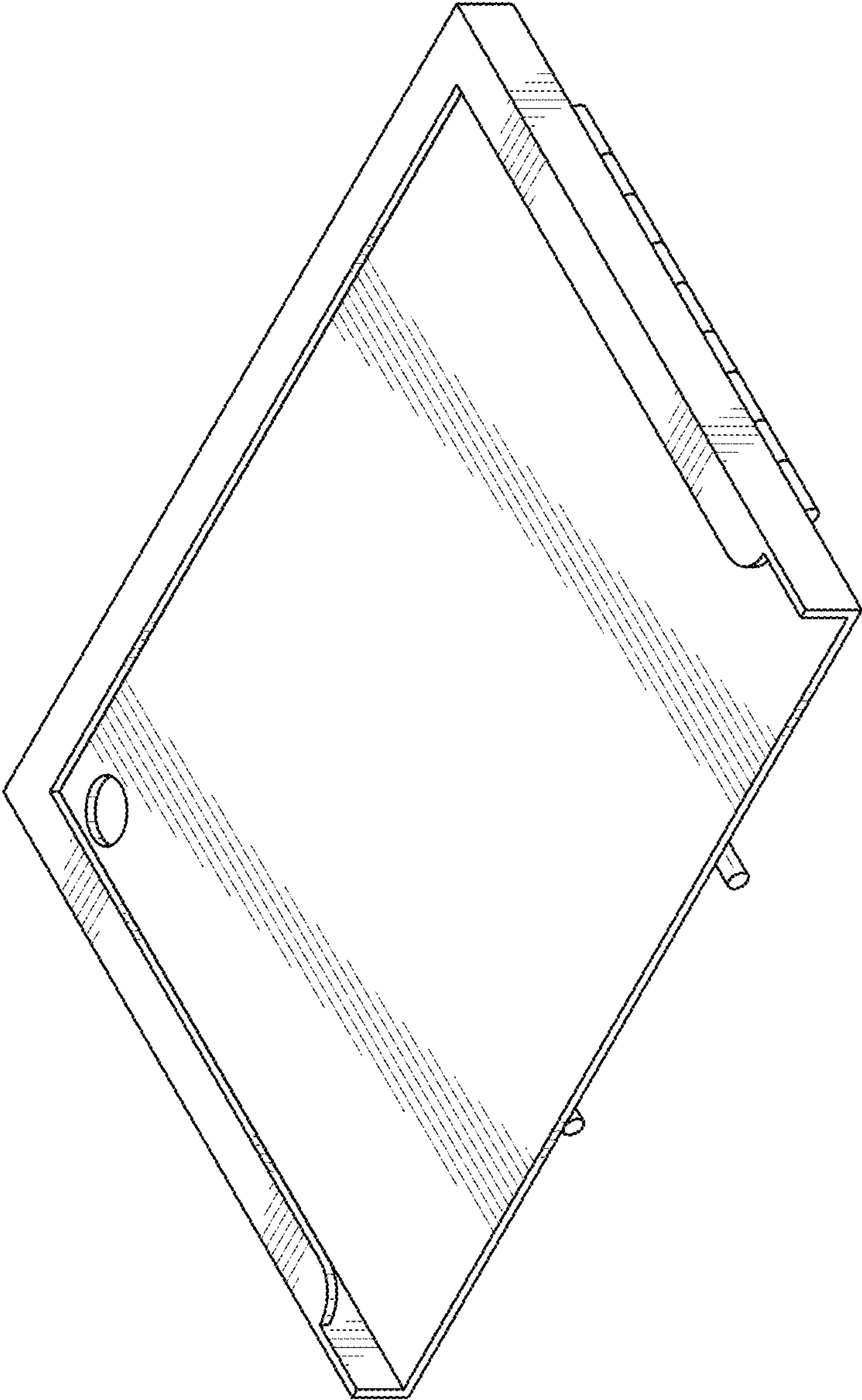


FIG. 8

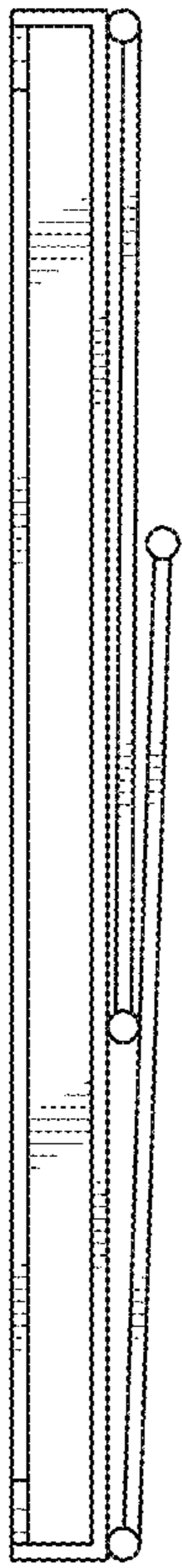


FIG. 9

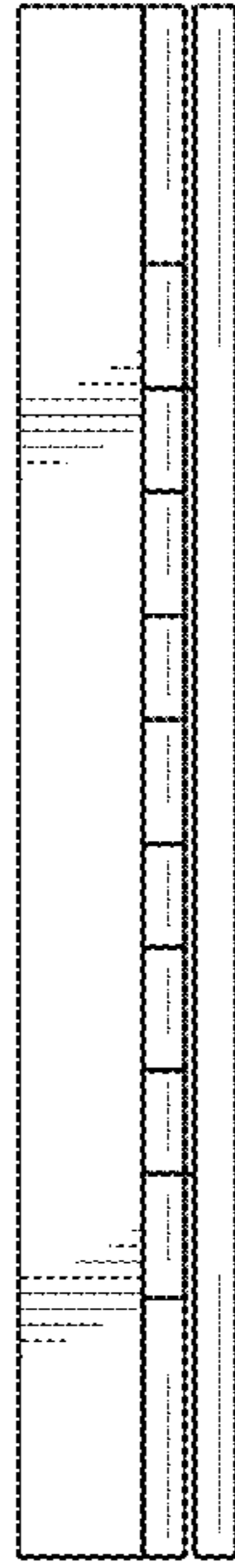


FIG. 10

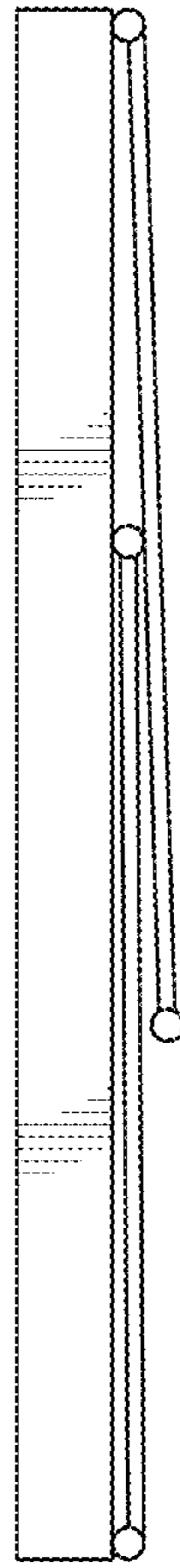


FIG. 11

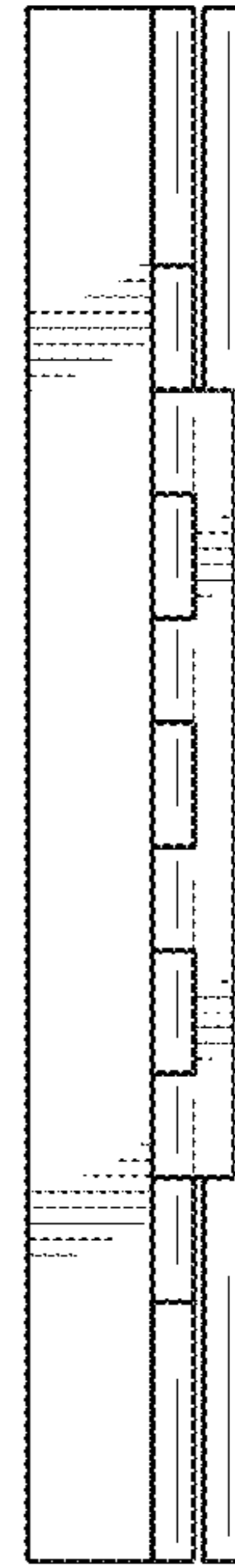


FIG. 12

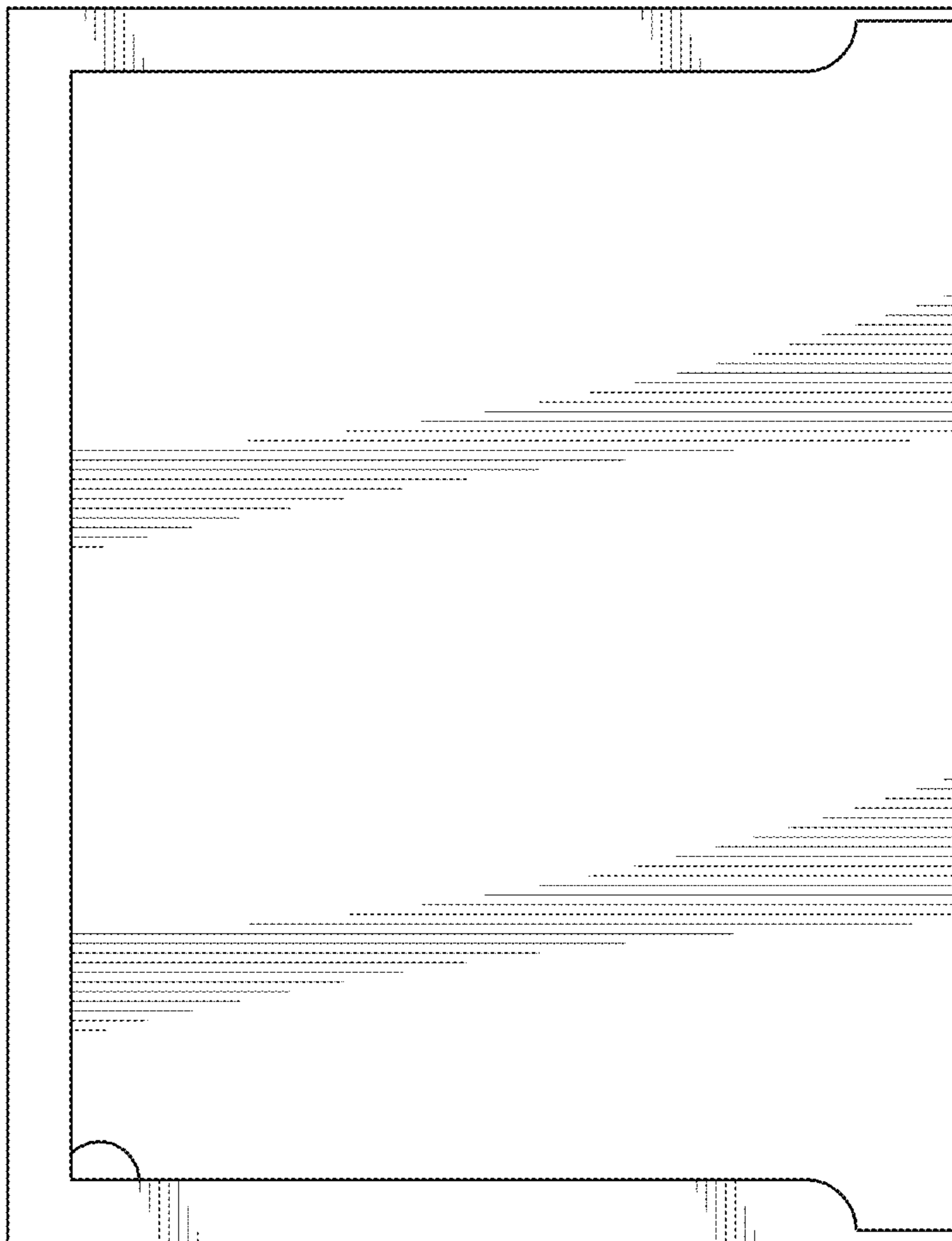


FIG. 13

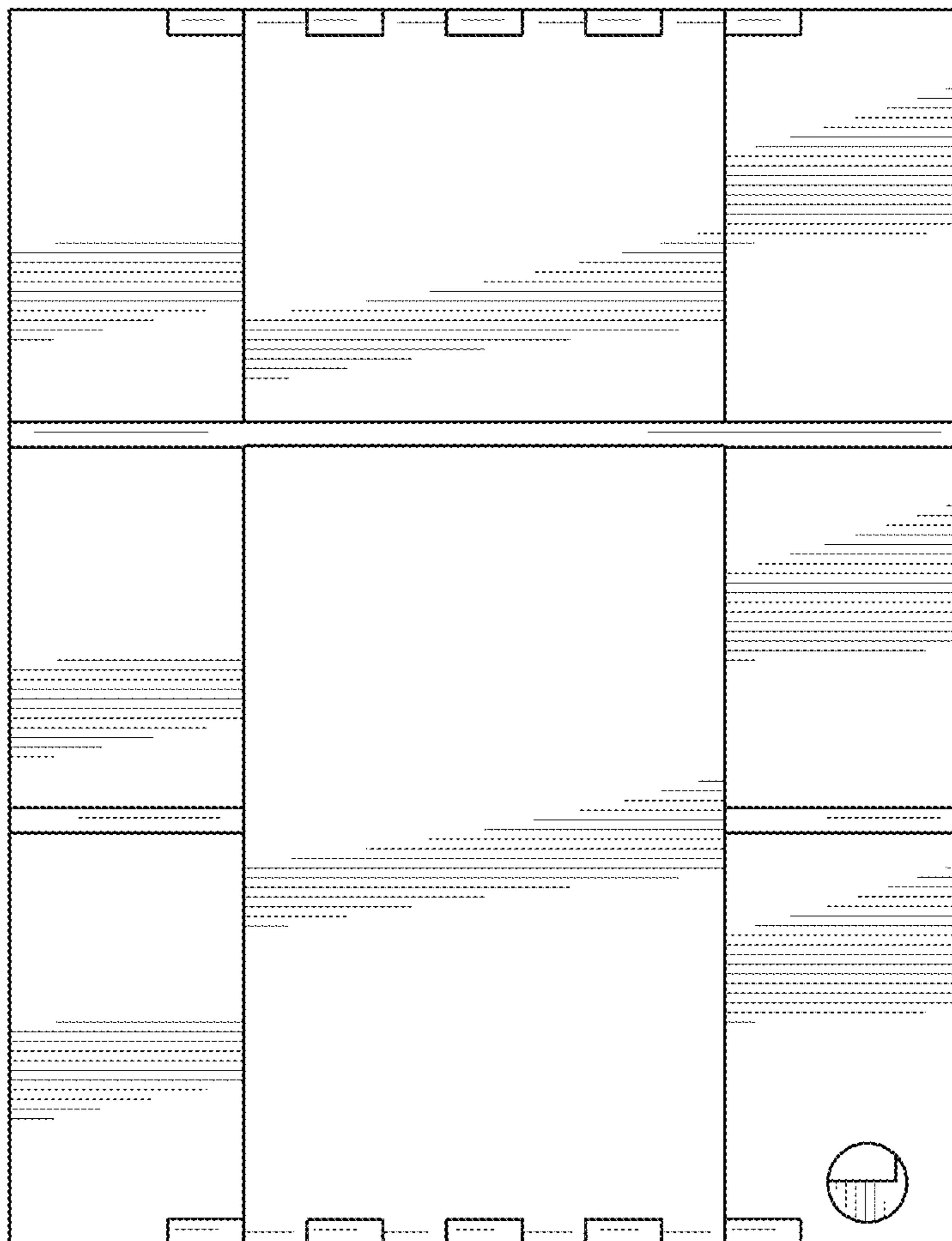


FIG. 14