



US00D774649S

(12) **United States Design Patent**
Fox et al.

(10) **Patent No.:** **US D774,649 S**
(45) **Date of Patent:** **** Dec. 20, 2016**

(54) **COUPLER FOR COUPLING A CAMERA TO AN ENDOSCOPE**

D607,032 S * 12/2009 Halleck D16/202
D645,963 S * 9/2011 Buerk D24/138
D651,312 S * 12/2011 Halleck D16/202

(71) Applicant: **SinuSys Corporation**, Palo Alto, CA (US)

(Continued)

(72) Inventors: **William Jason Fox**, San Carlos, CA (US); **William L. Gould**, Santa Fe, NM (US); **Curtis Leslie Rieser**, Aptos, CA (US)

Primary Examiner — Wan Laymon

Assistant Examiner — Mark Booker

(74) *Attorney, Agent, or Firm* — Rudy J. Ng; Carol L. Francis; Bozicevic, Field & Francis LLP

(73) Assignee: **SinuSys Corporation**, Palo Alto, CA (US)

(57) **CLAIM**

The ornamental design for a coupler for coupling a camera to an endoscope, as shown and described.

(**) Term: **14 Years**

DESCRIPTION

(21) Appl. No.: **29/502,890**

FIG. 1 is a side elevational view of a coupler for coupling a camera to an endoscope, showing our new design.

(22) Filed: **Sep. 19, 2014**

FIG. 2 is a side elevational view of the coupler, showing the opposite side from FIG. 1.

(51) **LOC (10) Cl.** **24-02**

FIG. 3 is a top elevational view of the coupler.

(52) **U.S. Cl.**
USPC **D24/138**

FIG. 4 is a bottom elevational view of the coupler.

(58) **Field of Classification Search**
USPC D24/138, 133, 140; D16/131, 202, 208, D16/219; 600/101, 109, 118, 122, 131, 600/132

FIG. 5 is a distal end elevational view of the coupler.

CPC A61B 1/0011; A61B 1/00126; A61B 1/00188; A61B 1/042; A61B 1/00121; A61B 1/00128

FIG. 6 is a proximal end elevational view of the coupler.

See application file for complete search history.

FIG. 7 is a distal perspective view of the coupler, shown coupled to a camera and an endoscope.

FIG. 8 is a distal perspective view of the coupler, from the opposite side shown in FIG. 7, shown coupled to a camera and an endoscope.

(56) **References Cited**

FIG. 9 is a proximal perspective view of the coupler, shown coupled to a camera and an endoscope; and,

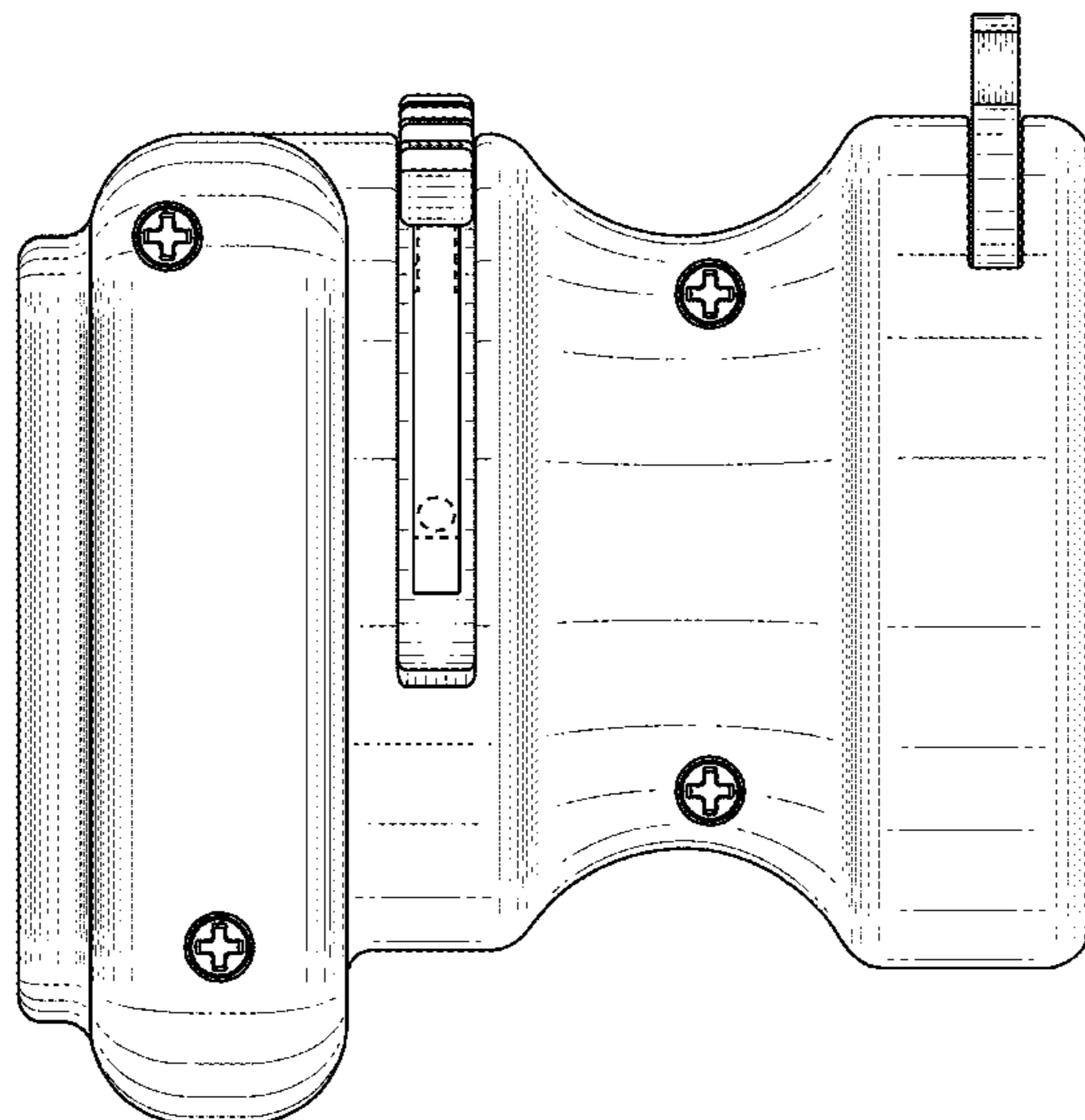
U.S. PATENT DOCUMENTS

FIG. 10 is a proximal perspective view of the coupler, from the opposite side shown in FIG. 9, shown coupled to a camera and an endoscope.

D271,618 S * 11/1983 Nishigaki D16/134
D271,698 S 12/1983 Shishido
D310,231 S 8/1990 Imada et al.
6,589,162 B2 7/2003 Nakashima et al.
D587,804 S 3/2009 Ruiz et al.
7,511,732 B2 3/2009 Ellison et al.

The features shown in broken lines in the drawings depict environmental subject matter and are for illustrative purposes only; the broken lines form no part of the claimed design.

1 Claim, 10 Drawing Sheets



(56)

References Cited

U.S. PATENT DOCUMENTS

D673,988	S *	1/2013	Riegl	D16/202
8,343,042	B2 *	1/2013	Leiner	A61B 1/00158
					600/167
D699,846	S *	2/2014	Leroy	D24/138
8,708,891	B2 *	4/2014	Sjostrom	A61B 1/00121
					600/111
D727,994	S *	4/2015	Hasuda	D16/219
2007/0229655	A1	10/2007	Ellison et al.		
2011/0295071	A1 *	12/2011	Sjostrom	A61B 1/00121
					600/166
2011/0317274	A1	12/2011	Faber et al.		
2014/0051925	A1 *	2/2014	Kang	A61B 1/00186
					600/109
2015/0112137	A1 *	4/2015	Hogrefe	A61B 1/0011
					600/112

* cited by examiner

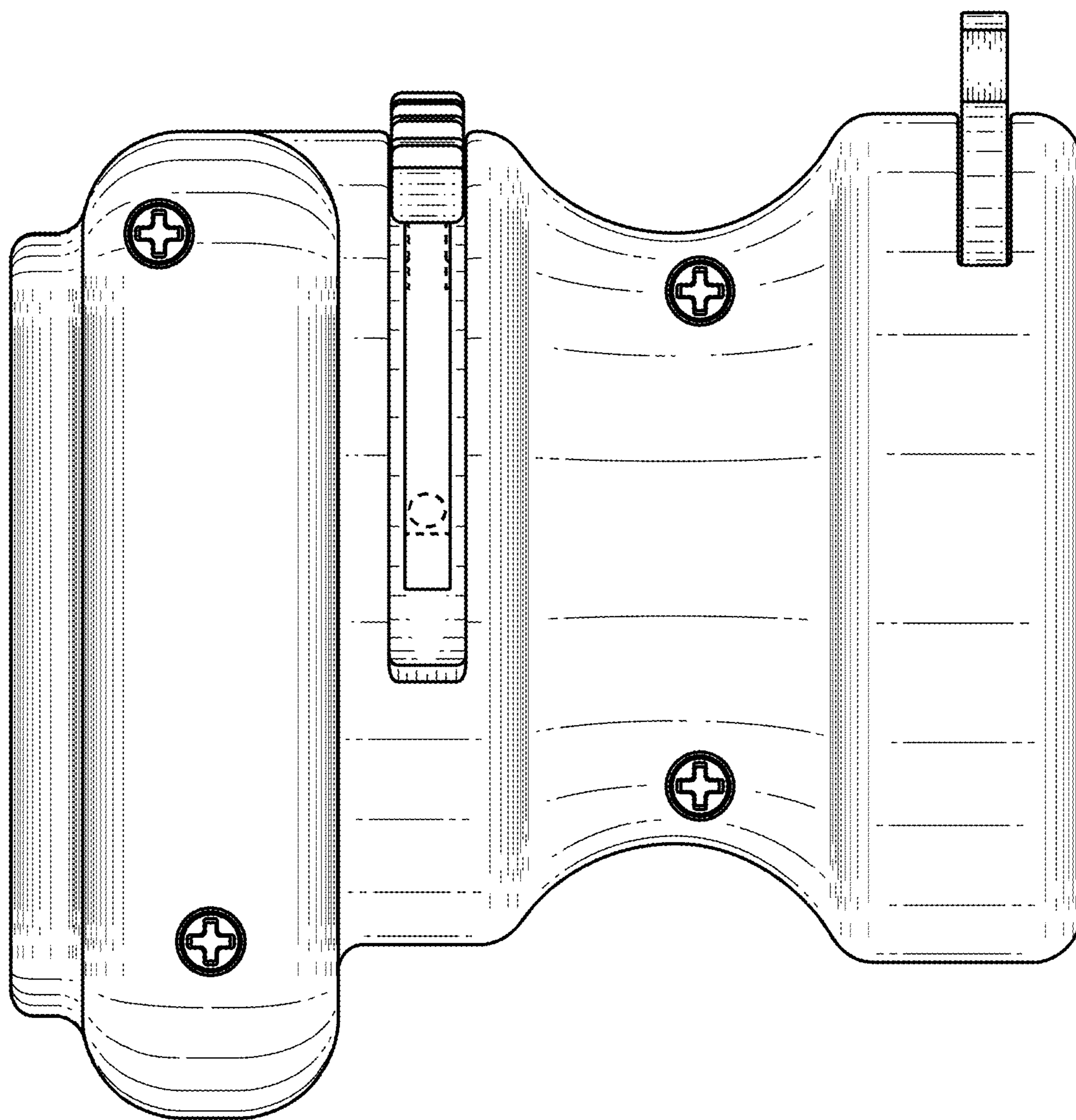


FIG. 1

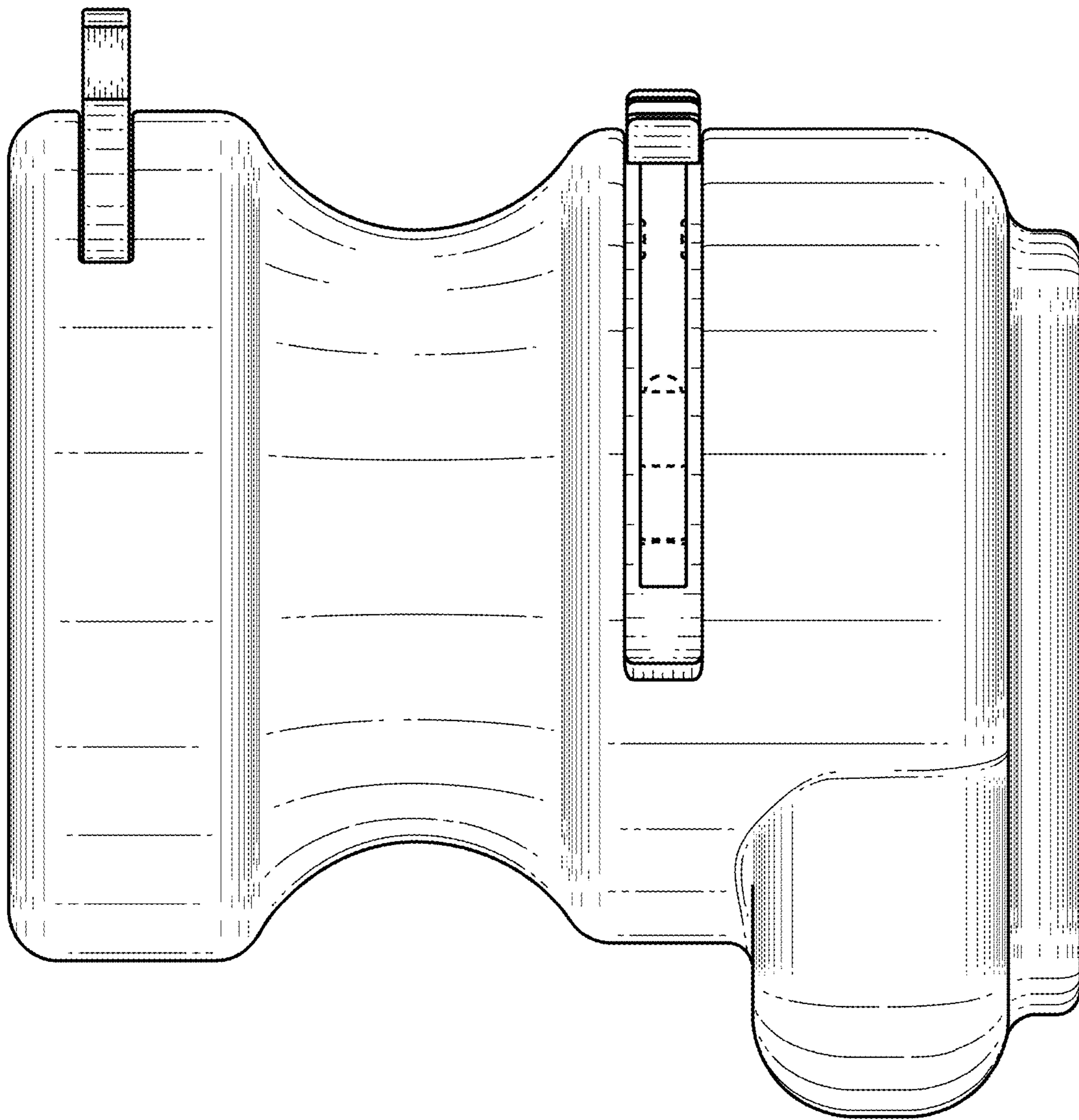


FIG. 2

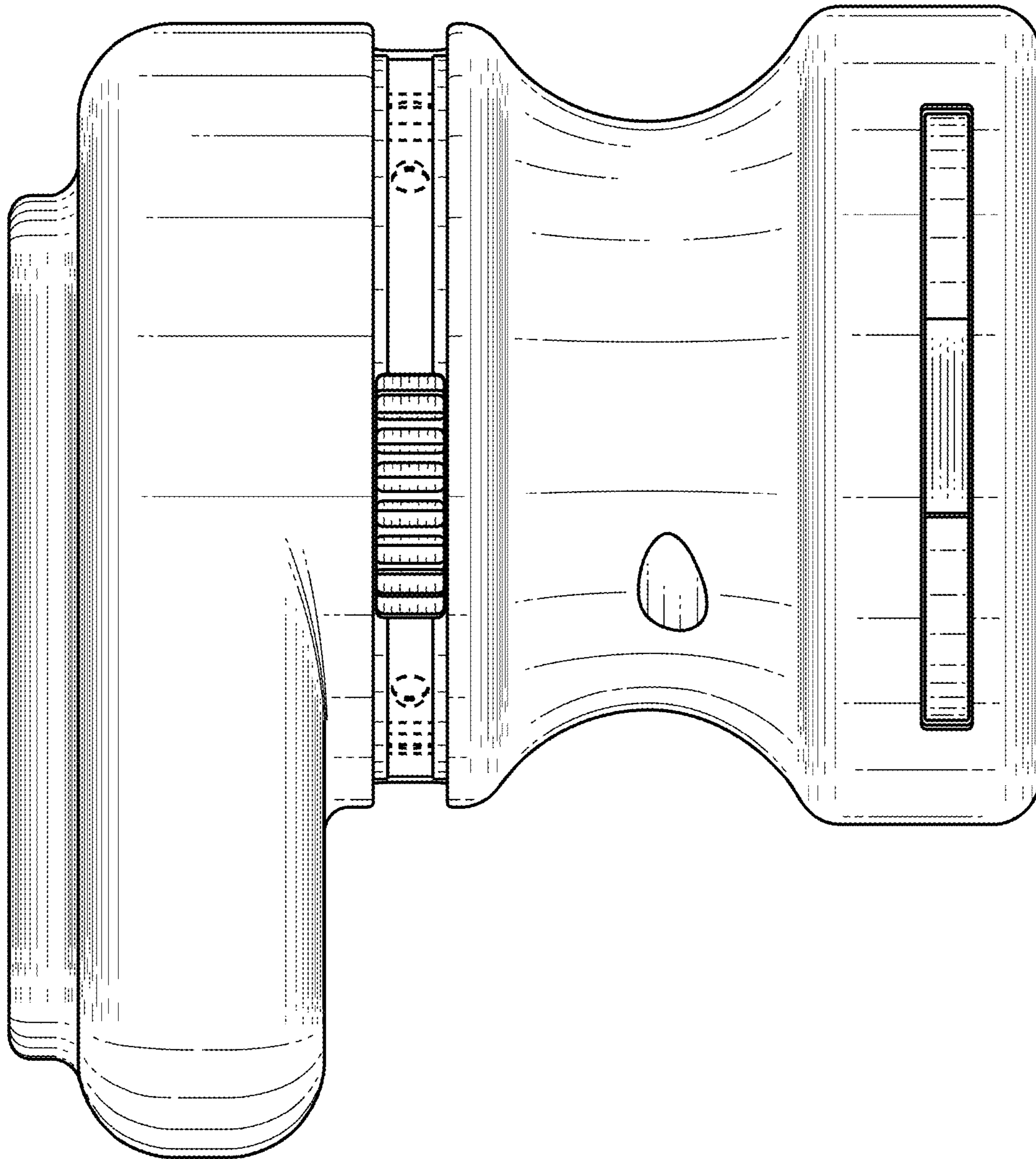


FIG. 3

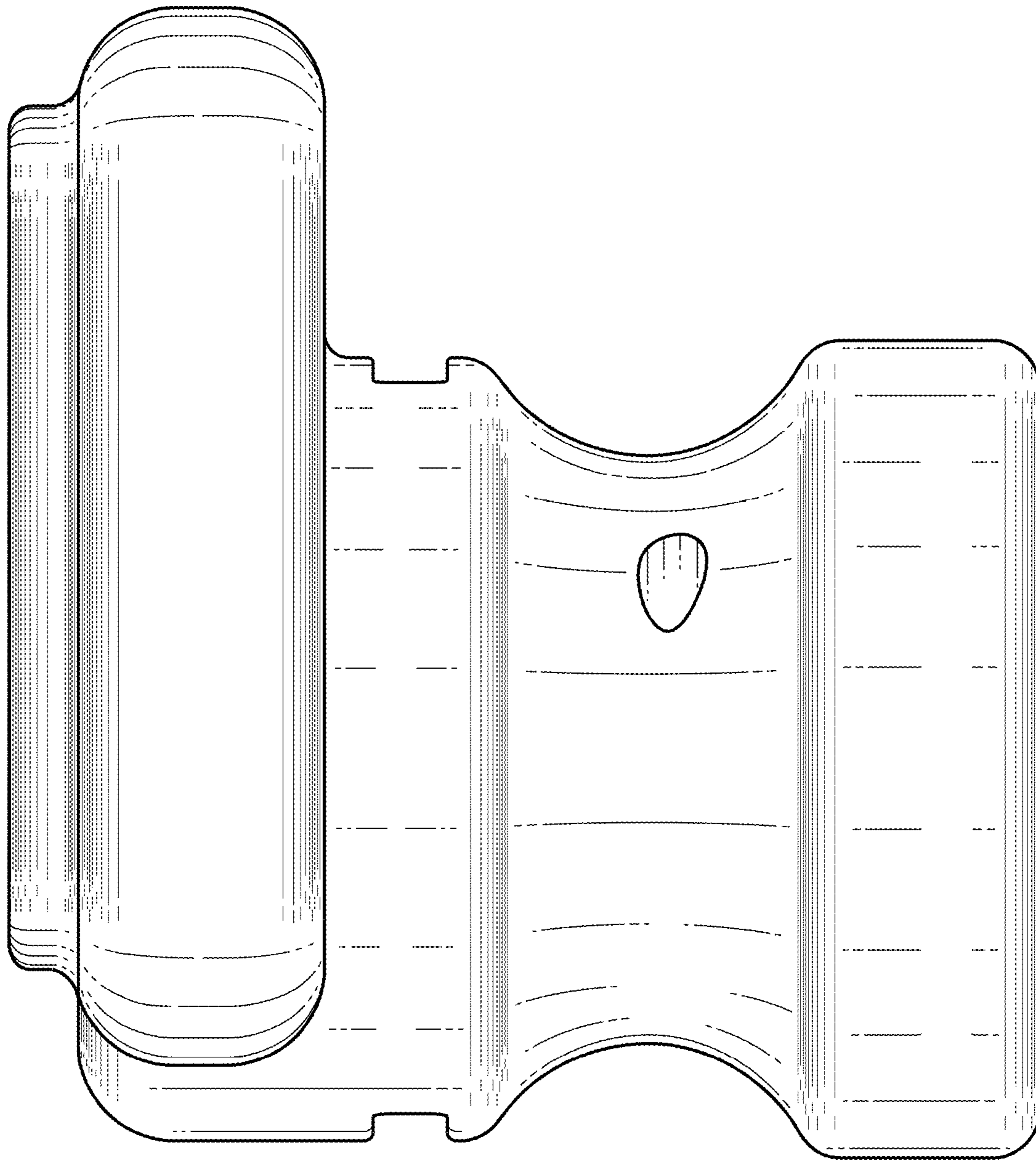


FIG. 4

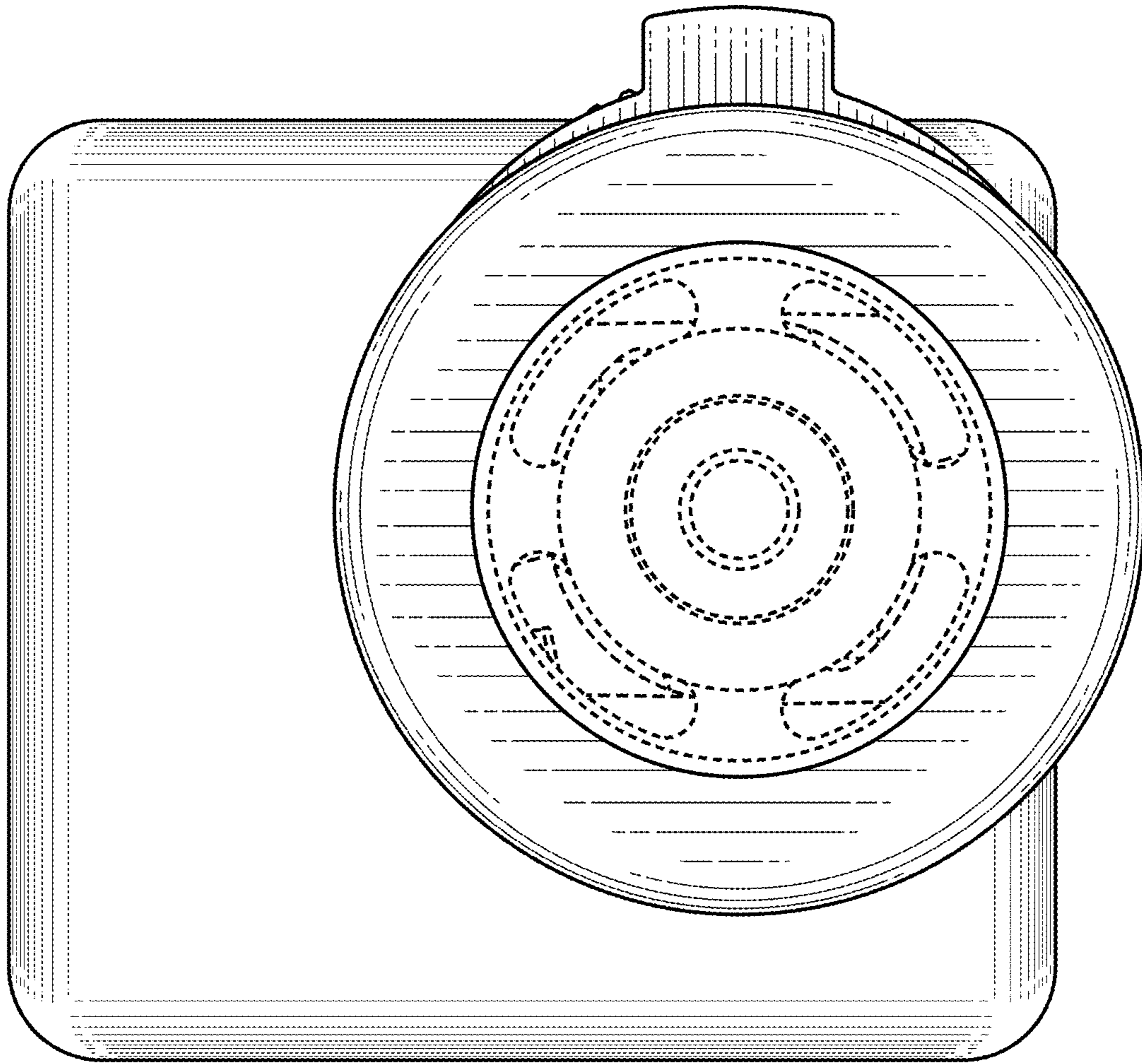


FIG. 5

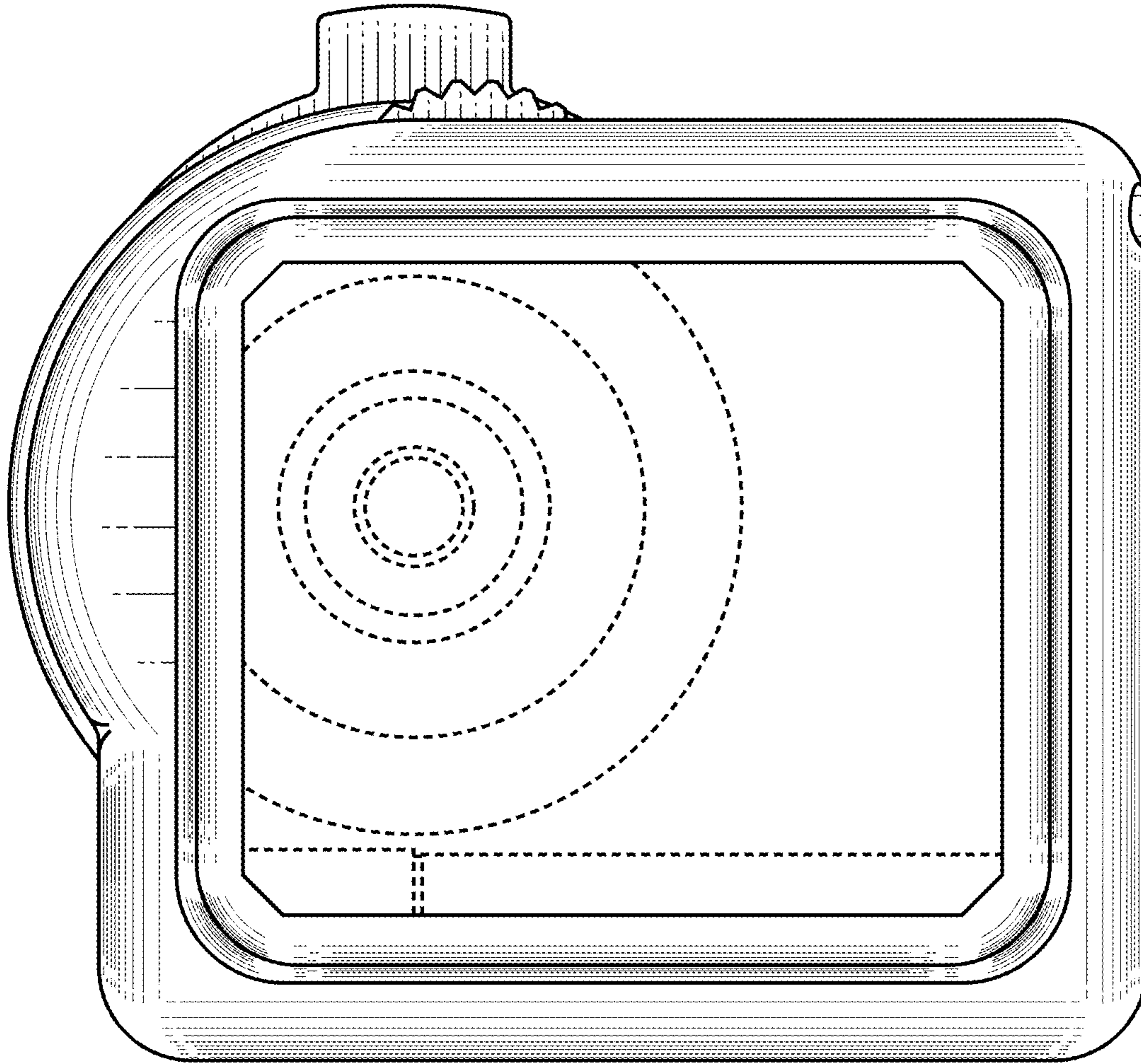


FIG. 6

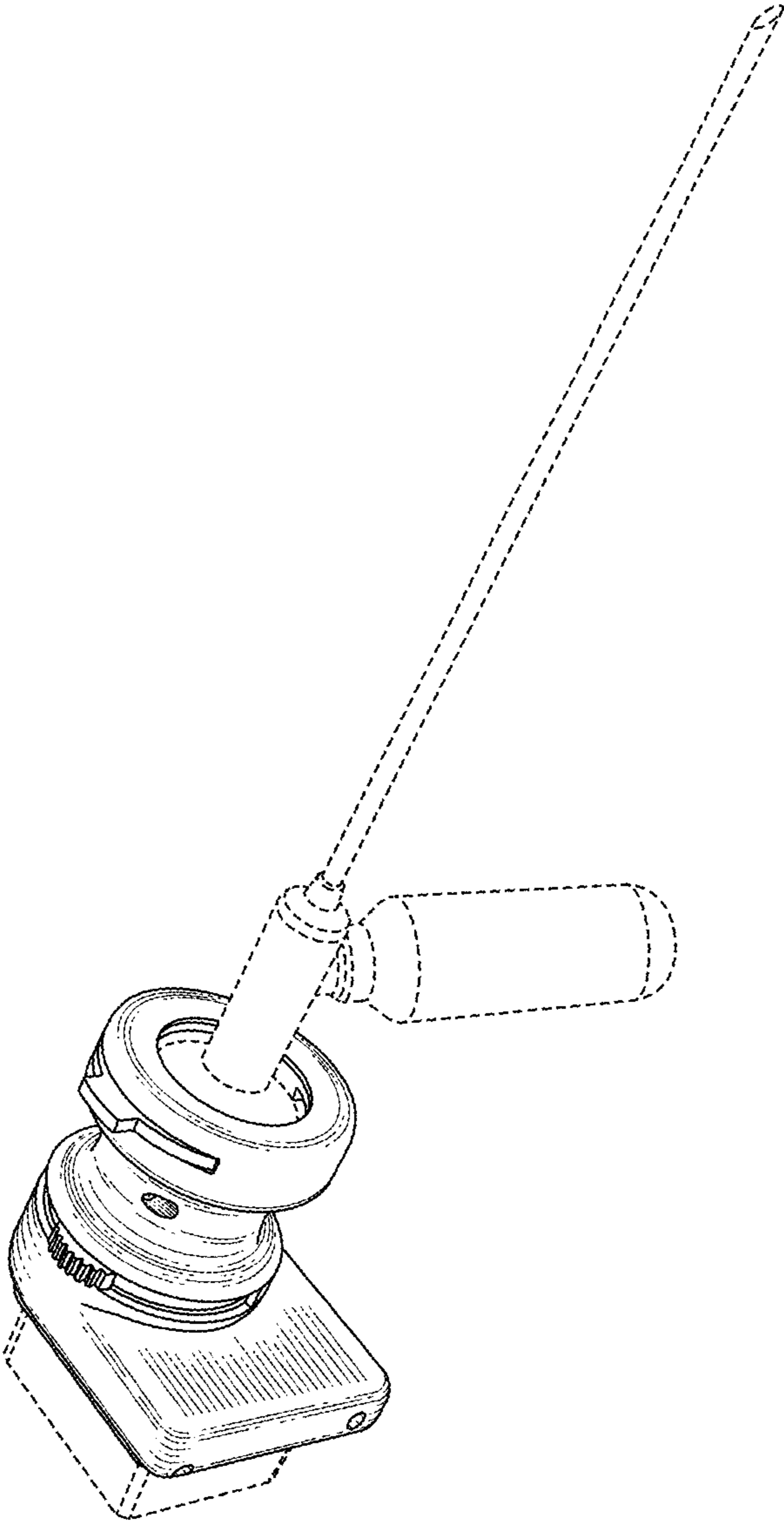


FIG. 7

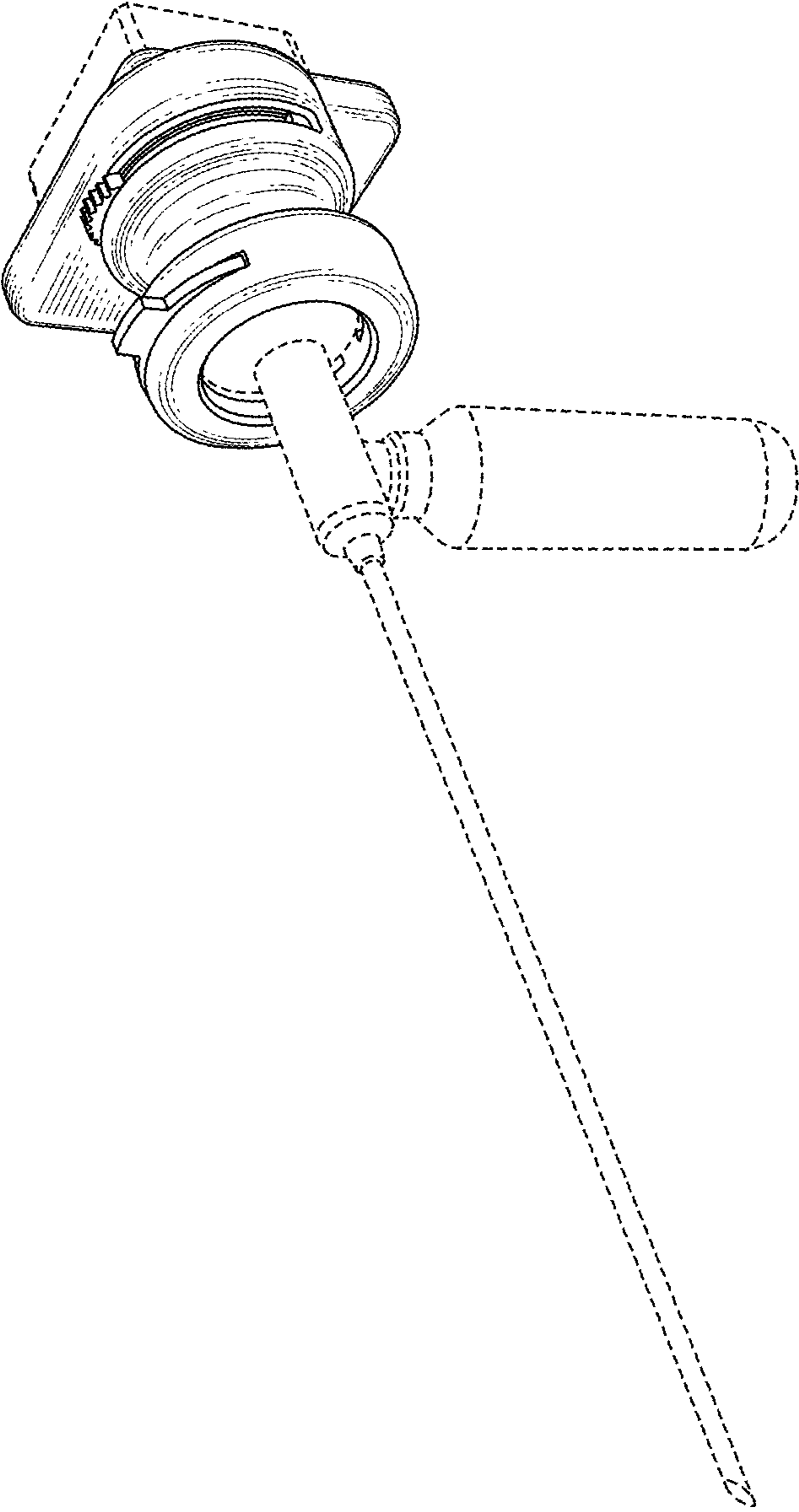


FIG. 8

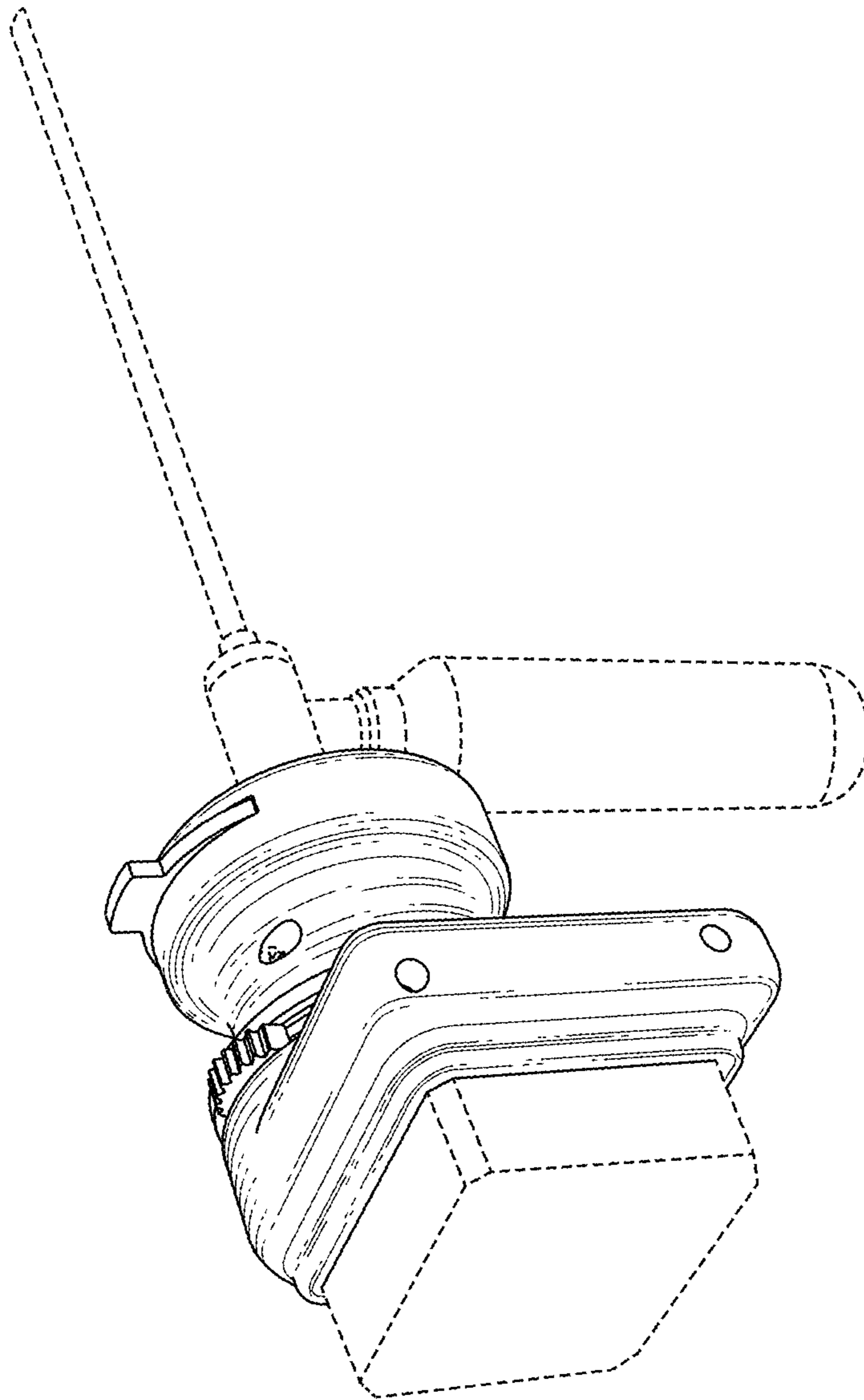


FIG. 9

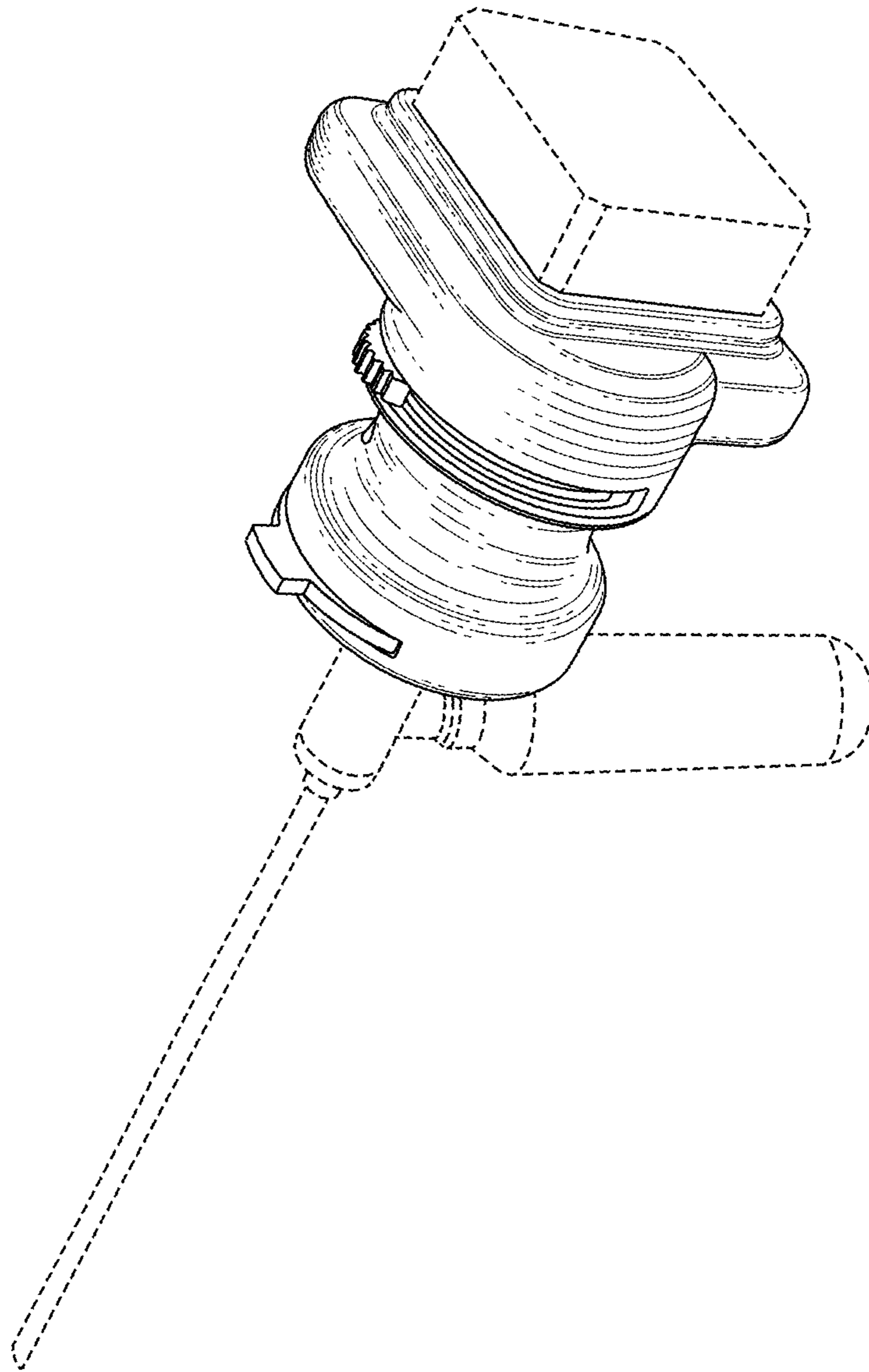


FIG. 10