



US00D774648S

(12) **United States Design Patent** (10) **Patent No.:** **US D774,648 S**
Johnson et al. (45) **Date of Patent:** **** Dec. 20, 2016**

(54) **NASAL DILATOR DEVICE**

(71) Applicant: **ASAP BreatheAssist Pty Ltd**,
Armadale, Victoria (AU)
(72) Inventors: **Michael Johnson**, Hawthorn (AU);
Brandon Liew, North Sydney (AU);
Lisa Gyecsek, Wetherill Park (AU);
Robert Tiller, Balmain (AU)
(73) Assignee: **ASAP BREATHEASSIST PTY LTD**,
Armadale (AU)

(**) Term: **14 Years**

(21) Appl. No.: **29/479,493**

(22) Filed: **Jan. 16, 2014**

(30) **Foreign Application Priority Data**

Jul. 18, 2013 (AU) 13438/2013

(51) **LOC (10) Cl.** **24-02**

(52) **U.S. Cl.**
USPC **D24/135**

(58) **Field of Classification Search**
USPC D24/106, 133, 135, 136, 152, 153, 154,
D24/156; 600/140, 208, 210, 233, 235,
600/237, 238, 242; 606/191, 192, 193,
606/194, 195, 196, 197, 198, 199
See application file for complete search history.

(56) **References Cited**

U.S. PATENT DOCUMENTS

4,576,168 A 3/1986 Jalowayski
4,759,365 A 7/1988 Askinzy
(Continued)

FOREIGN PATENT DOCUMENTS

CA 2 566 268 A1 11/2004
EP 1 968 684 A2 9/2008
(Continued)

OTHER PUBLICATIONS

<http://www.amazon.com/Original-Breathe-Fit-Nasal-Dilator/dp/B0012RMWC4>, pp. 1-5 (2009).
(Continued)

Primary Examiner — Ian Simmons
Assistant Examiner — Samantha Q Lawrence
(74) *Attorney, Agent, or Firm* — Pillsbury Winthrop Shaw Pittman, LLP

(57) **CLAIM**

The ornamental design for a nasal dilator device, as shown and described.

DESCRIPTION

FIG. 1 is an isometric front view of a nasal dilator device in a closed configuration;
FIG. 2 is an isometric rear view of the nasal dilator device in a closed configuration;
FIG. 3 is a top plan view of the nasal dilator device in a closed configuration;
FIG. 4 is a left side elevation view of the nasal dilator device in a closed configuration;
FIG. 5 is a front elevation view of the nasal dilator device in a closed configuration;
FIG. 6 is a right side elevation view of the nasal dilator device in a closed configuration;
FIG. 7 is a bottom plan view of the nasal dilator device in a closed configuration;
FIG. 8 is a rear elevation view of the nasal dilator device in a closed configuration;
FIG. 9 is an isometric front view of a nasal dilator device in an open configuration;
FIG. 10 is an isometric rear view of the nasal dilator device in an open configuration;
FIG. 11 is a top plan view of the nasal dilator device in an open configuration;
FIG. 12 is a bottom plan view of the nasal dilator device in an open configuration;
FIG. 13 is a front elevation view of the nasal dilator device in an open configuration;

(Continued)

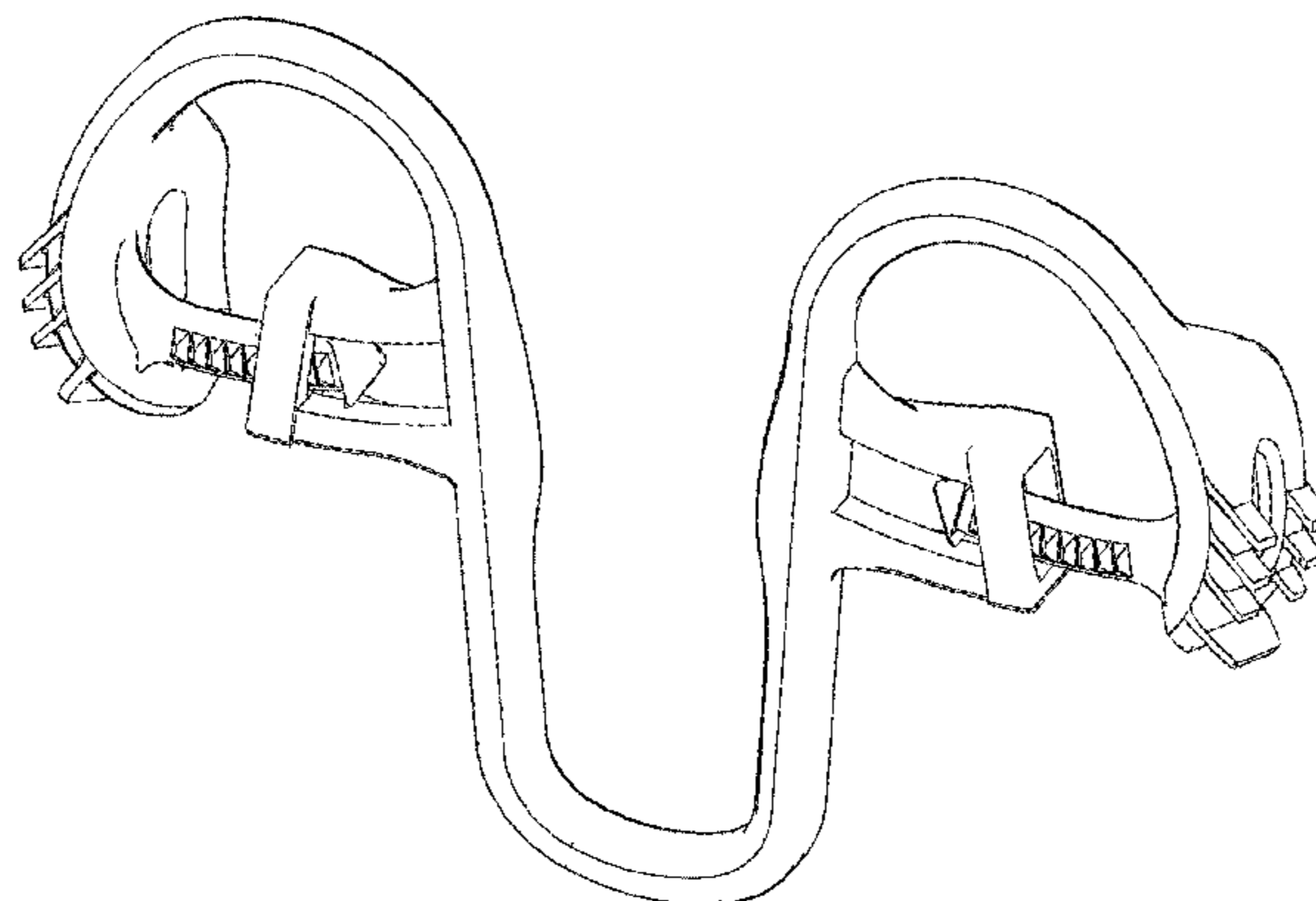


FIG. 14 is a left side elevation view of the nasal dilator device in an open configuration;

FIG. 15 is a right side elevation view of the nasal dilator device in an open configuration; and,

FIG. 16 is a rear elevation view of the nasal dilator device in an open configuration.

The broken lines shown in FIGS. 14-15 illustrate portions of the nasal dilator device that form no part of the claimed design.

1 Claim, 16 Drawing Sheets

(56)

References Cited

U.S. PATENT DOCUMENTS

5,099,857	A	3/1992	Baldo et al.	
5,775,335	A *	7/1998	Seal	128/848
5,787,884	A	8/1998	Tovey	
5,895,409	A	4/1999	Mehdizadeh	
5,955,376	A	9/1999	Tovey	
D422,080	S *	3/2000	Vincent	D24/135
6,109,262	A	8/2000	Tovey	
6,270,512	B1	8/2001	Rittmann	
D451,193	S *	11/2001	McCormick	D24/106
6,562,057	B2	5/2003	Santin	
7,055,523	B1	6/2006	Brown	
7,105,008	B2	9/2006	Maryanka	
D540,462	S *	4/2007	Groeneveld	D24/106
7,318,438	B2	1/2008	Brown	
7,390,331	B2	6/2008	Santin et al.	
D576,726	S *	9/2008	Maxwell	D24/135
7,461,651	B2	12/2008	Brown	
7,727,252	B2	6/2010	Maryanka	
7,740,643	B2	6/2010	Maryanka	
7,918,224	B2 *	4/2011	Dolezal et al.	128/206.11
8,048,102	B2	11/2011	Thomas	
D652,143	S	1/2012	Brown	
8,262,688	B2	9/2012	Santin et al.	
D670,382	S *	11/2012	Noce et al.	D24/135
8,403,954	B2	3/2013	Santin et al.	
8,491,622	B2	7/2013	Brown	
D726,312	S *	4/2015	Johnson	D24/135
2003/0106555	A1	6/2003	Tovey	
2003/0144684	A1	7/2003	Ogle	
2009/0054923	A1 *	2/2009	Benson	606/199
2009/0143821	A1 *	6/2009	Stupak	606/232
2010/0063523	A1	3/2010	Menard et al.	
2010/0087749	A1	4/2010	Tovey	
2011/0118775	A1 *	5/2011	Brown	606/199
2011/0270297	A1 *	11/2011	Judd	606/199
2014/0246023	A1 *	9/2014	Maryanka	128/203.22

FOREIGN PATENT DOCUMENTS

EP	2 387 978	A2	11/2011
JP	11-192251	A	7/1999
WO	88/09149	A1	12/1988
WO	96/06657	A1	3/1996
WO	96/07099	A1	3/1996
WO	99/36773	A1	7/1999
WO	01/62342	A1	8/2001
WO	02/31465	A1	4/2002
WO	02/059569	A1	8/2002

OTHER PUBLICATIONS

<http://web.archive.org/web/20120919034716/http://www.nasalaids.com/>, 1 pg. (2007).

<http://www.amazon.com/Flents-Breathe-Quiet-Nasal-Dilator/dp/B0019IHLR2>, pp. 1-5 (2009).

<http://web.archive.org/web/20120403154245/http://www.breathe-ezy.com.au/>, pp. 1-7 (2005).

<http://www.sanostec.com/code/productinfo.htm>, pp. 1-2 (2004).

<http://web.archive.org/web/20120209144358/http://www.maxairnosecones.com/max-air-nose-cones/>, pp. 1-5 (2012).

http://web.archive.org/web/20120820115548/http://www.magnetictherapy.co.uk/scp/SPECIALITY_PRODUCTS/SNORE_FREE.html, pp. 1-2 (2012).

<http://airwarelabs.com/>, pp. 1-5 (2014).

<http://www.amazon.com/Flents-Breathe-Well-Nasal-Dilator/dp/B001J4K5E2>, pp. 1-5 (2008).

<http://omnisleep.in/snore-pin.html>, pp. 1-2 (2010).

http://nasalpass.com/contact_us.htm, 1 pg. (2005).

<http://www.britishsnoring.co.uk/shop/snoregem.php>, pp. 1-2 (2014).

<http://www.breathingrelief.com/>, 1 pg., (2012).

<http://www.woodyknows.com/>, 1 pg., (2006).

<http://www.nasilator.com/>, 1 pg., (2014).

<http://www.sanispira.it/eng/index.php>, 1 pg., (2010).

<http://www.benmedical.com.au/>, 1 pg (2013).

<http://www.noseglobes.com/index.html>, 1 pg (1999).

http://www.snoringcure.ca/breathe_ez_nasal_anti_snoring_medical_device.htm, pp. 1-2, (2014).

http://www.snoringcure.ca/clipair_nasal_anti_snoring_medical_dilator_device.htm; pp. 1-2, (2014).

http://www.snoringcure.ca/nozovent_nasal_anti_snoring_medical_dilator_device.htm, pp. 1-3, (2014).

http://www.oscimedsa.com/Stress_insomnia_stop; pp. 1-3, (2014).

http://www.britishsnoring.co.uk/shop/nasal_dilators/snore_no_more.php; 1 pg., (2014).

<http://www.sleepright.com/nasal-breathe-aid.php>; 1 pg., (2014).

http://breatheaide.fm.alibaba.com/product/107504591-11195414/Breathe_Aide_nasal_dilator.html; pp. 1-2, (2014).

<http://www.wellnessproducts.ch/?lan=en&page=2&id=66999>; pp. 1-4, (2014).

* cited by examiner

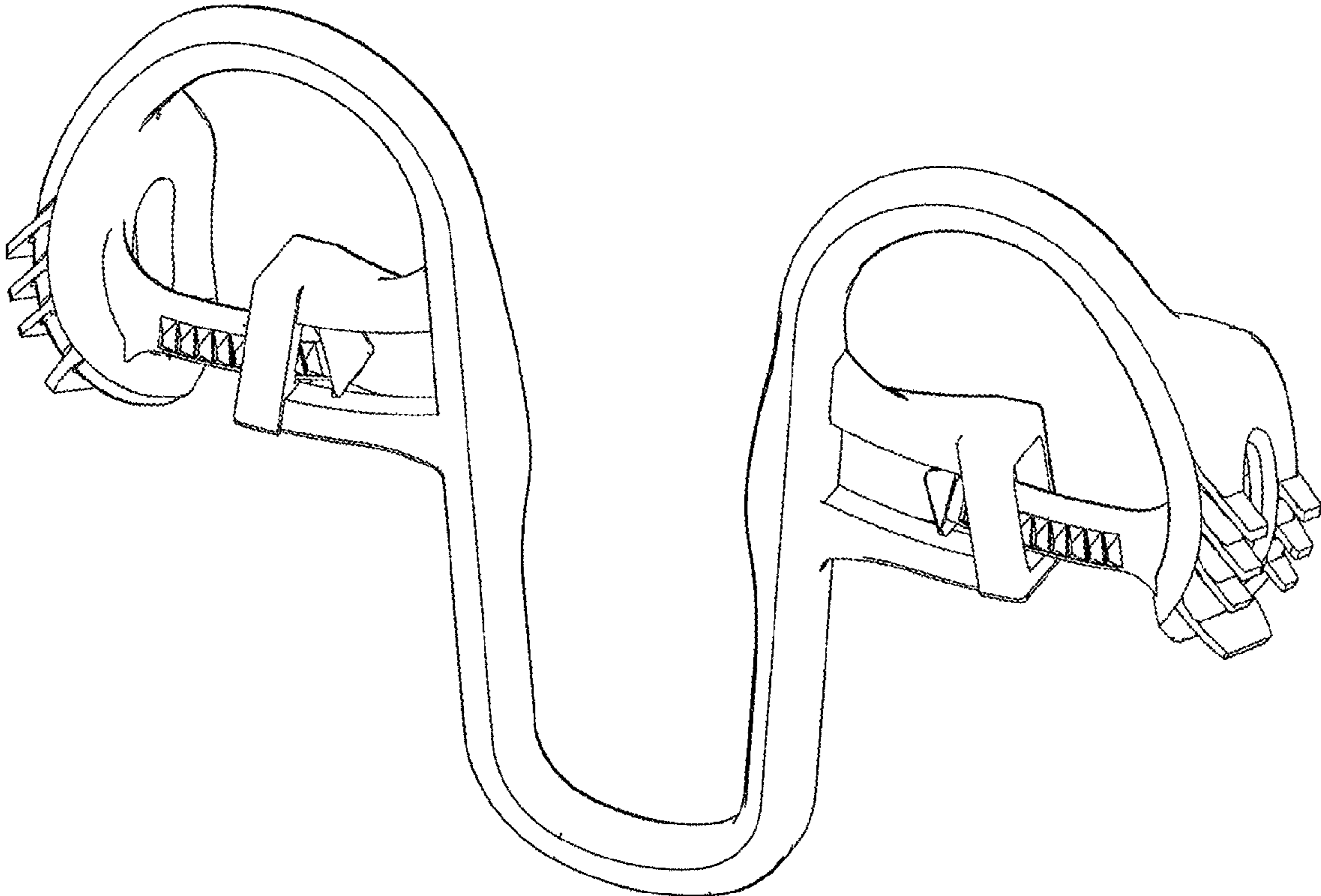


Fig. 1

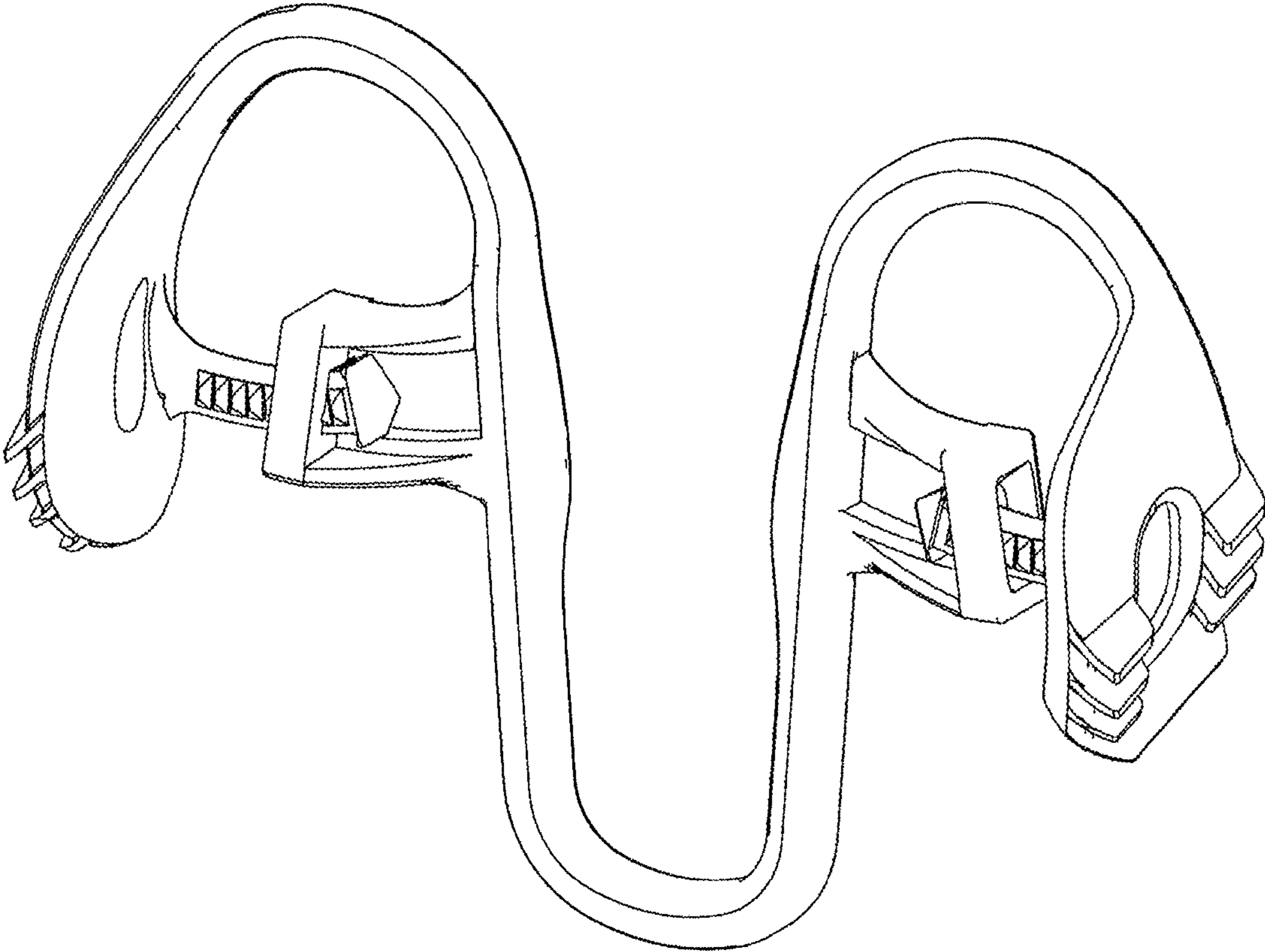


Fig. 2

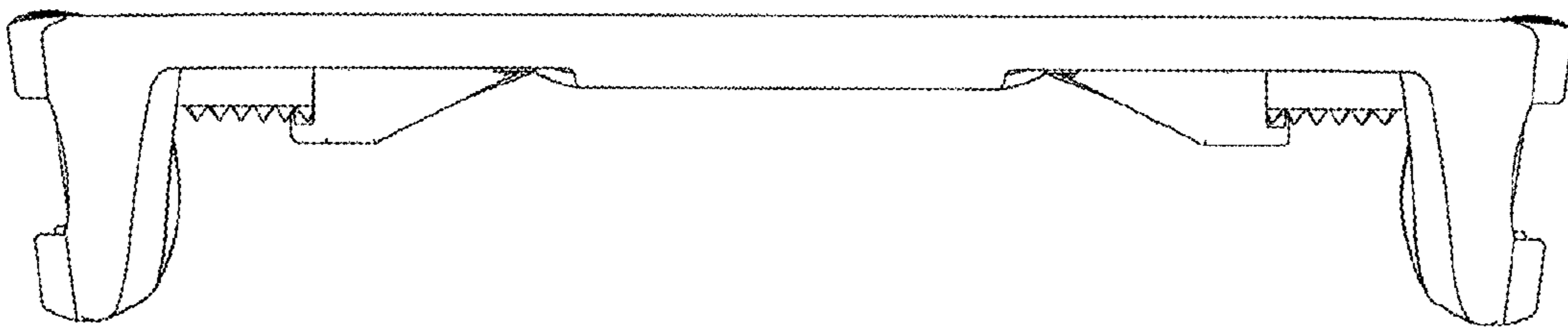


Fig. 3

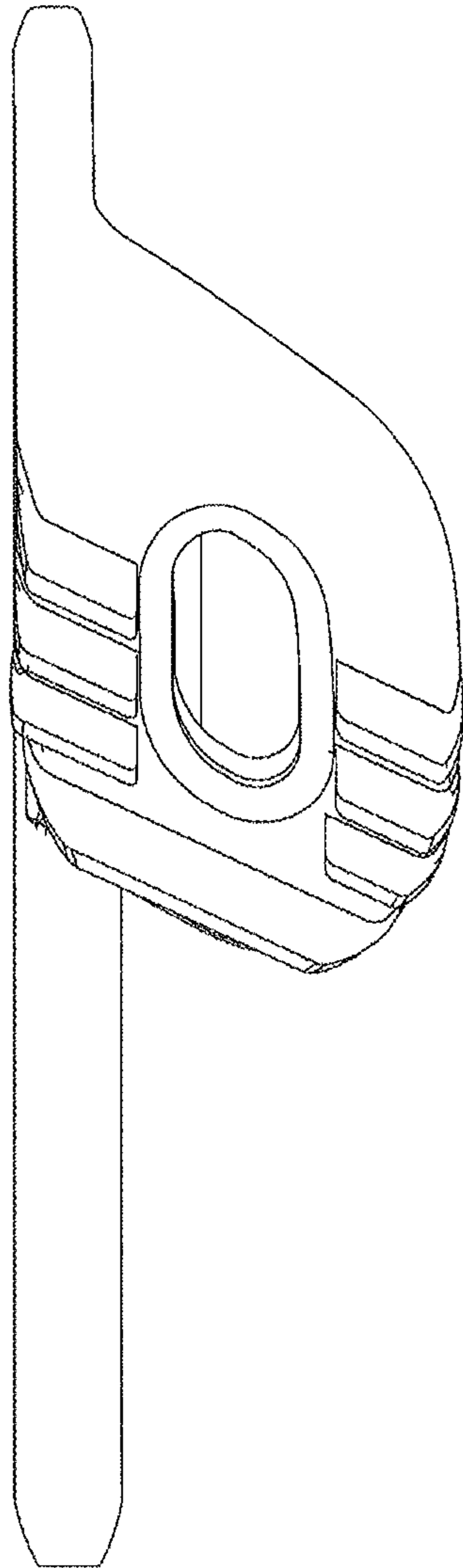


Fig. 4

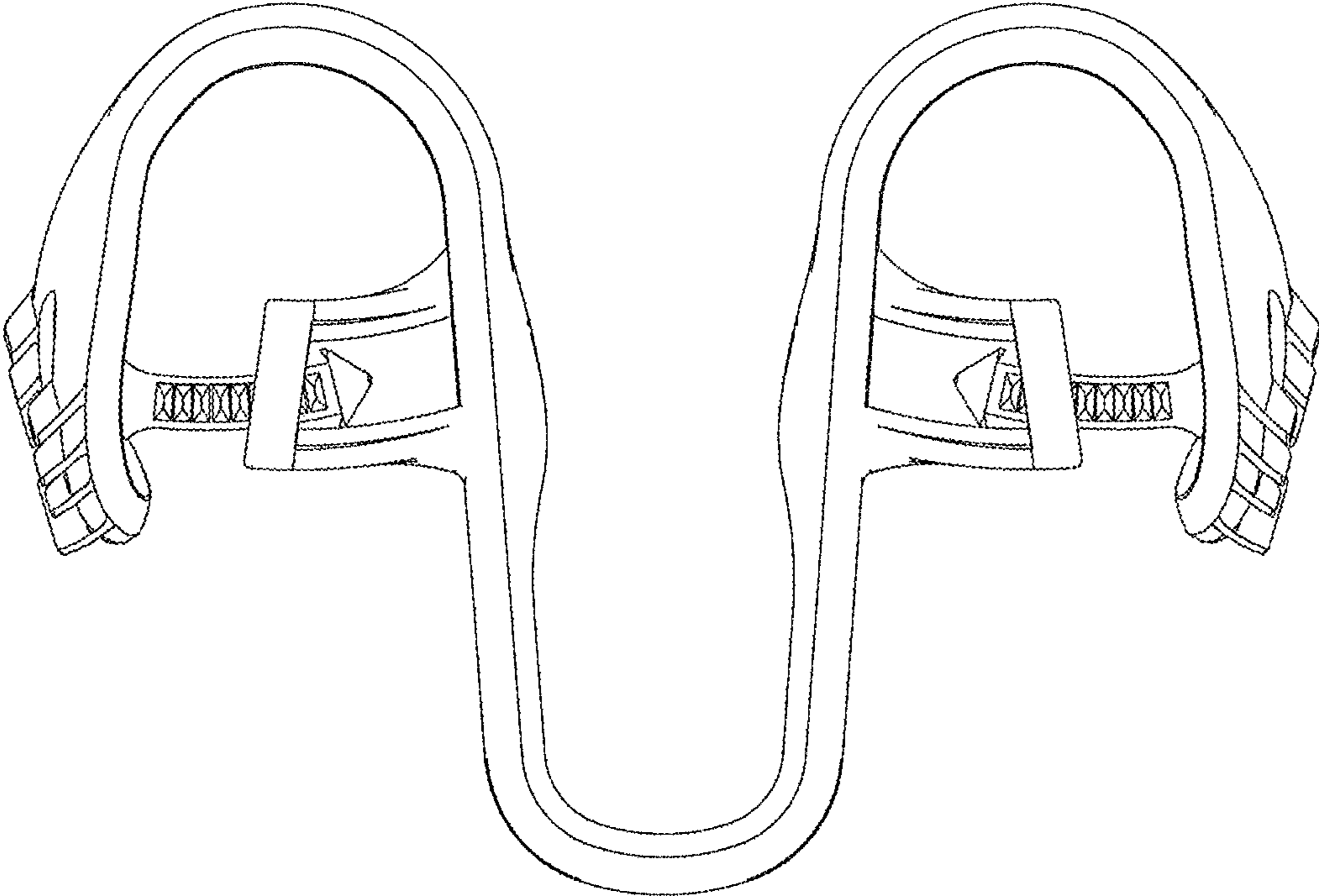


Fig. 5

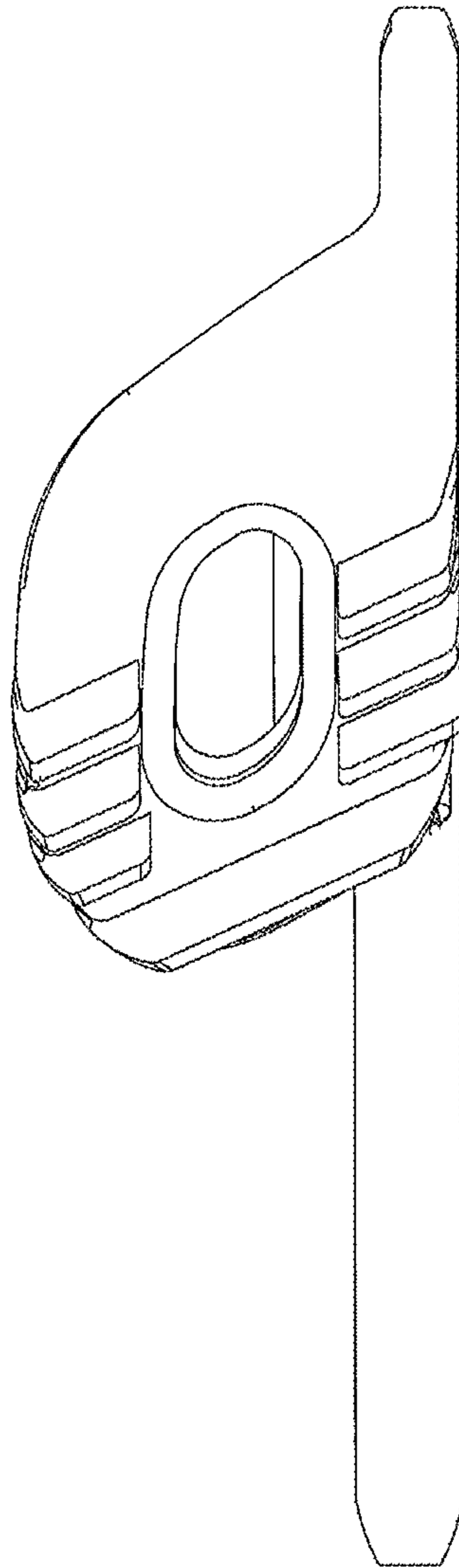


Fig. 6

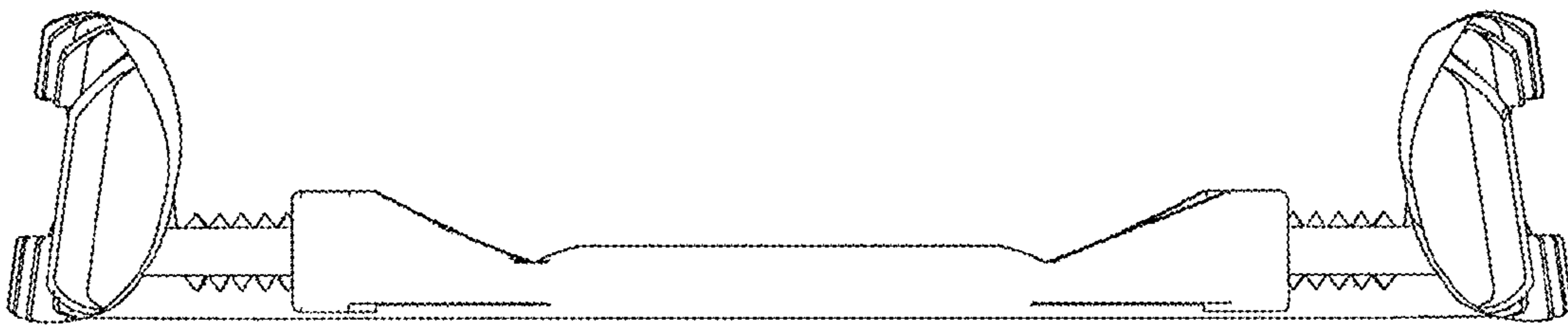


Fig. 7

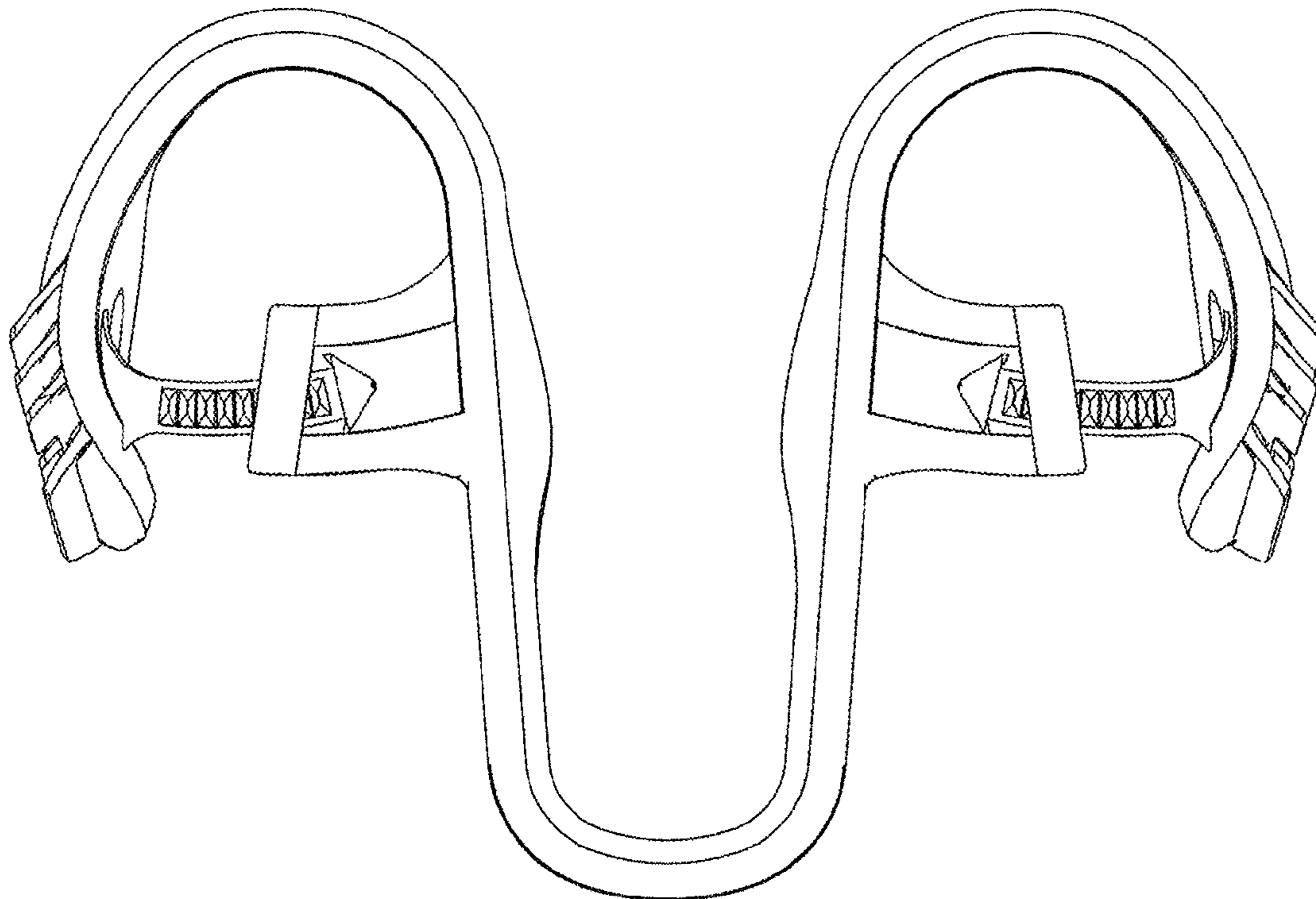


Fig. 8

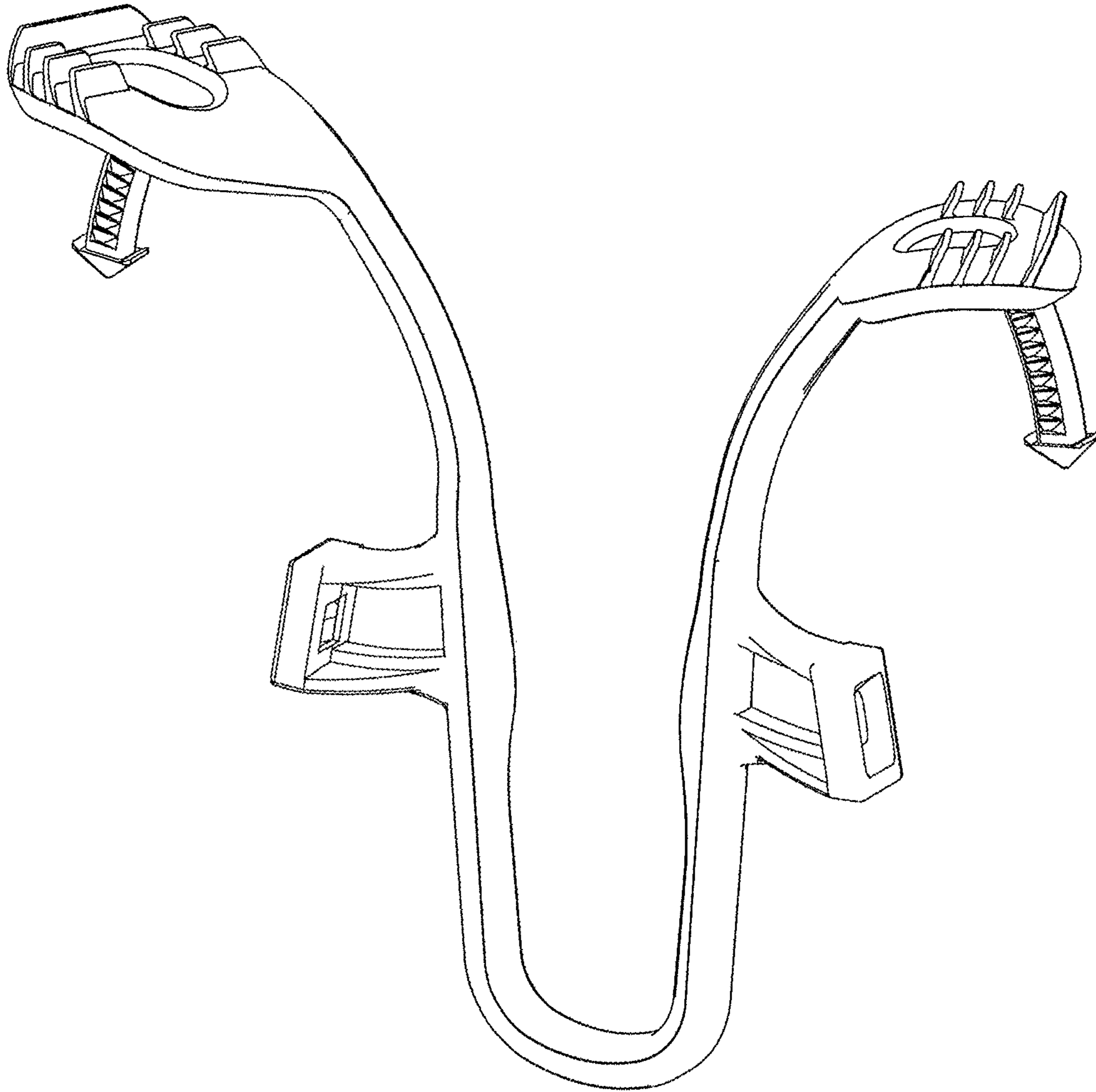


Fig. 9

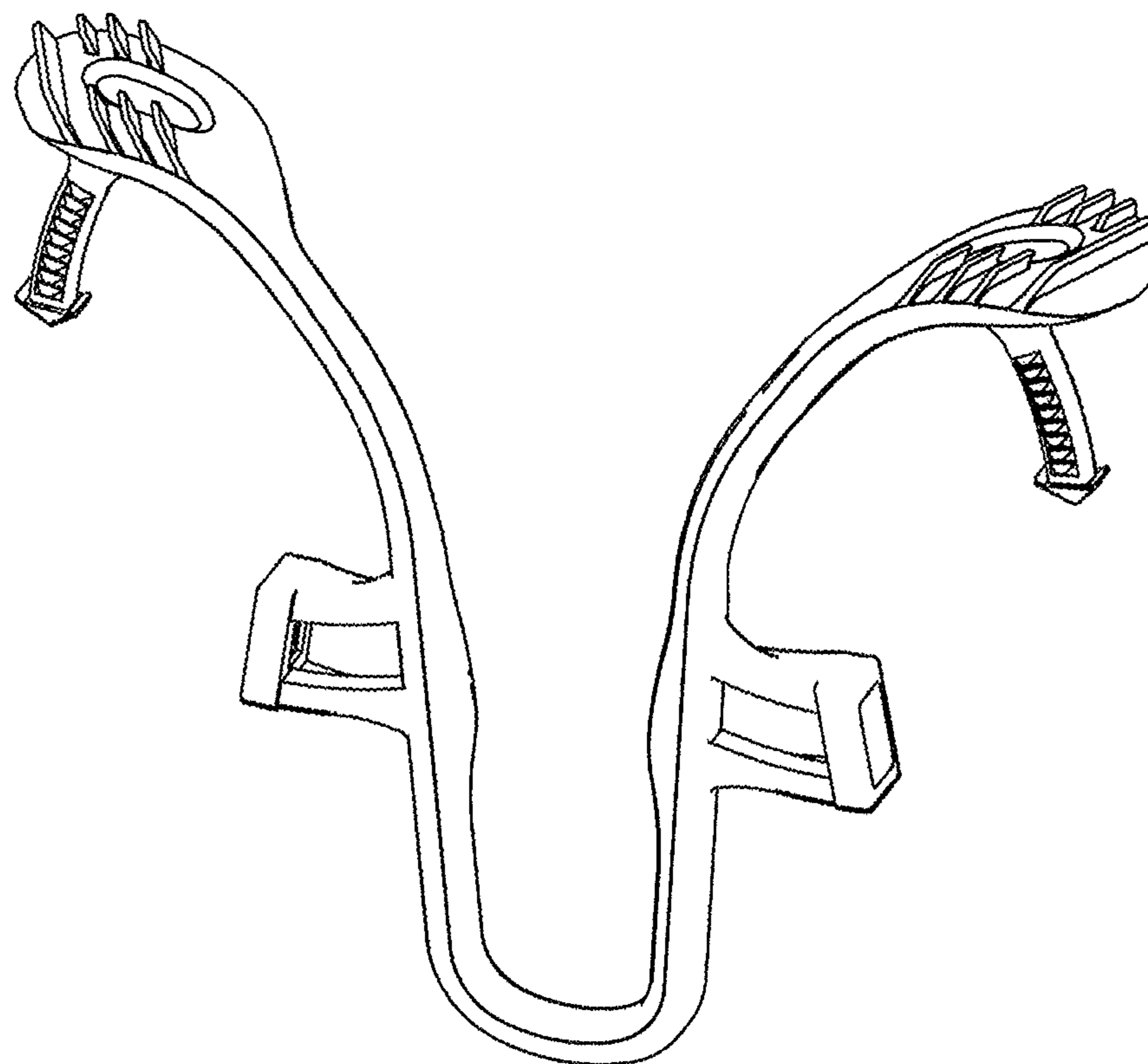


Fig. 10

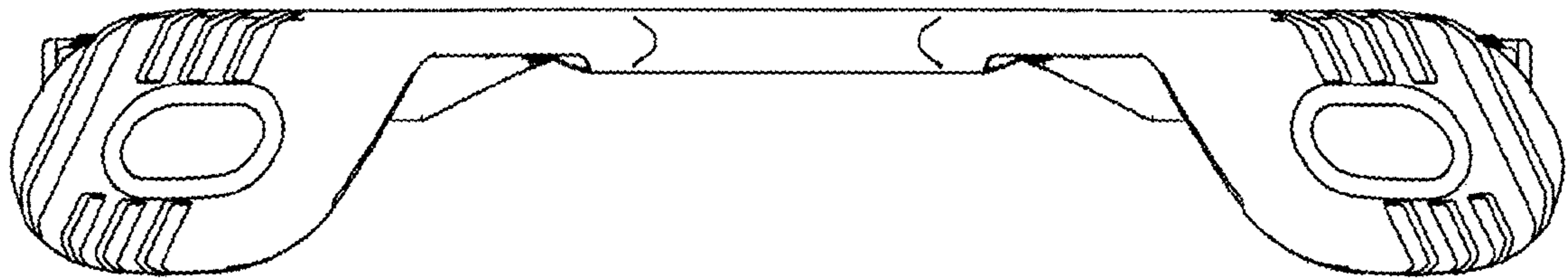


Fig. 11

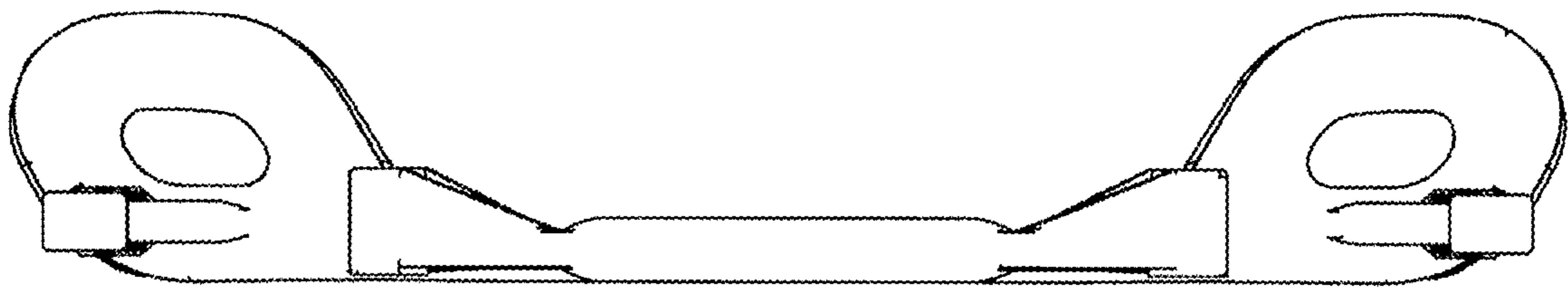


Fig. 12

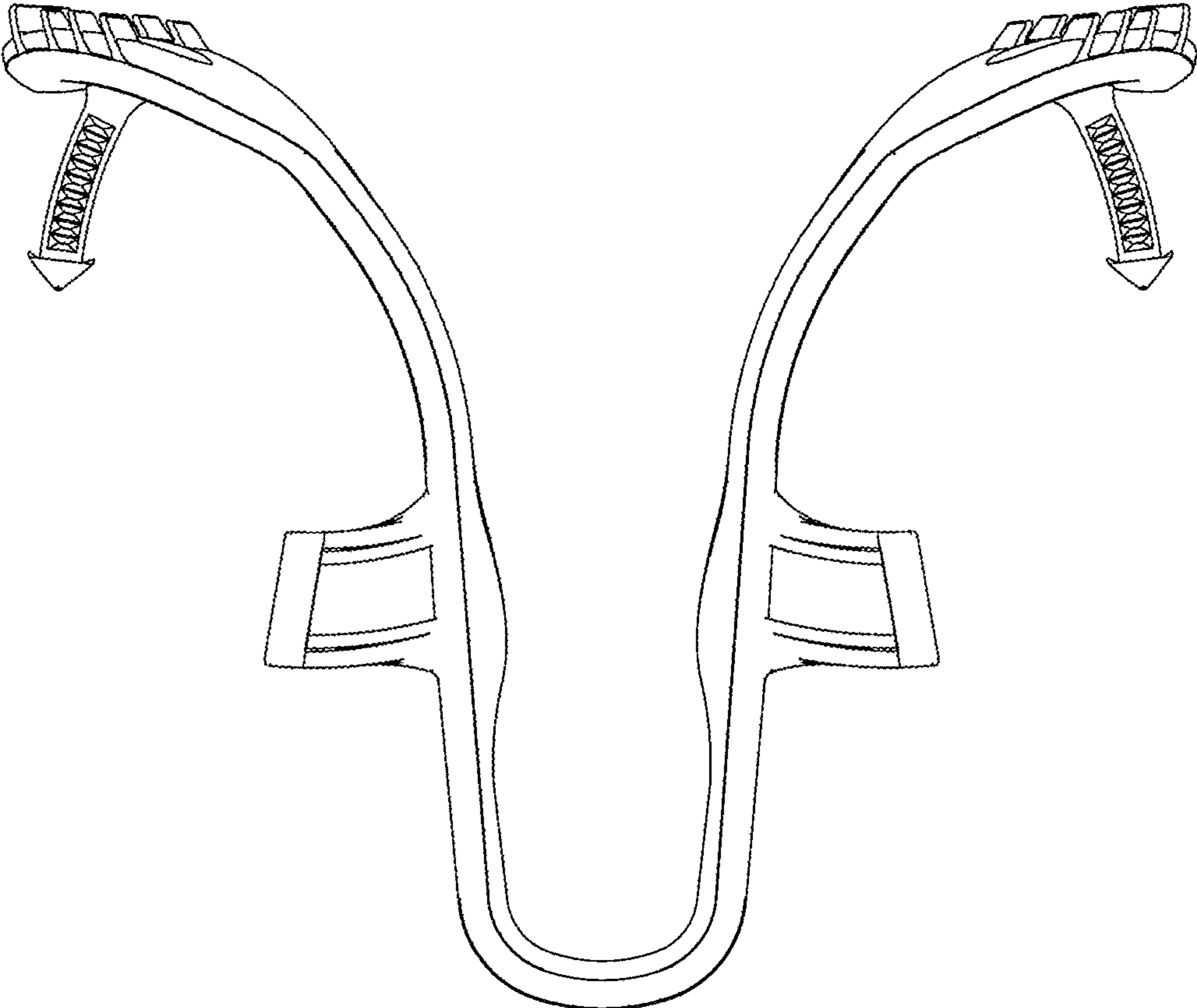


Fig. 13

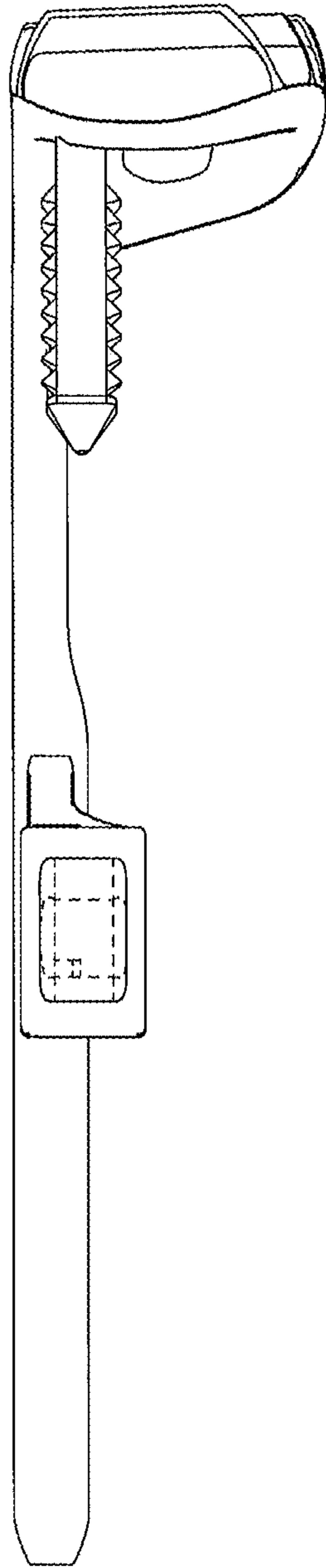


Fig. 14

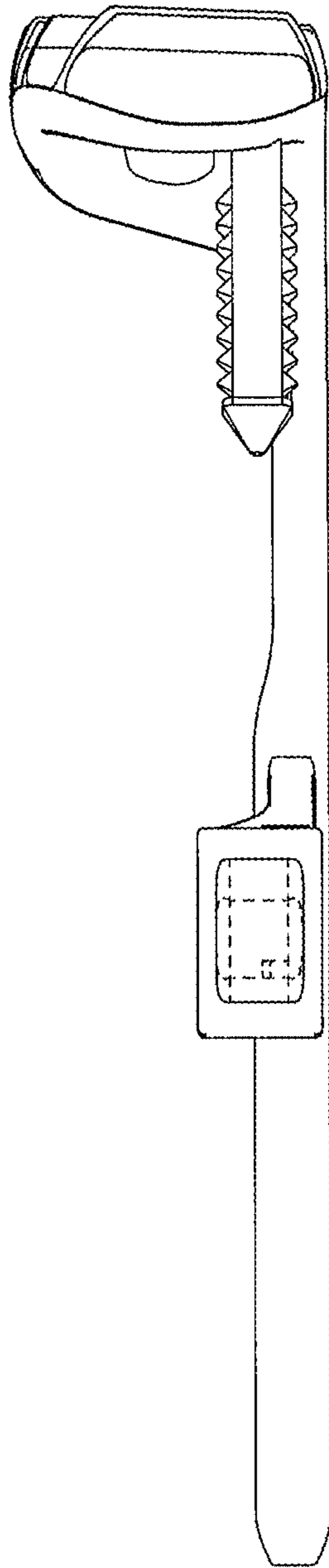


Fig. 15

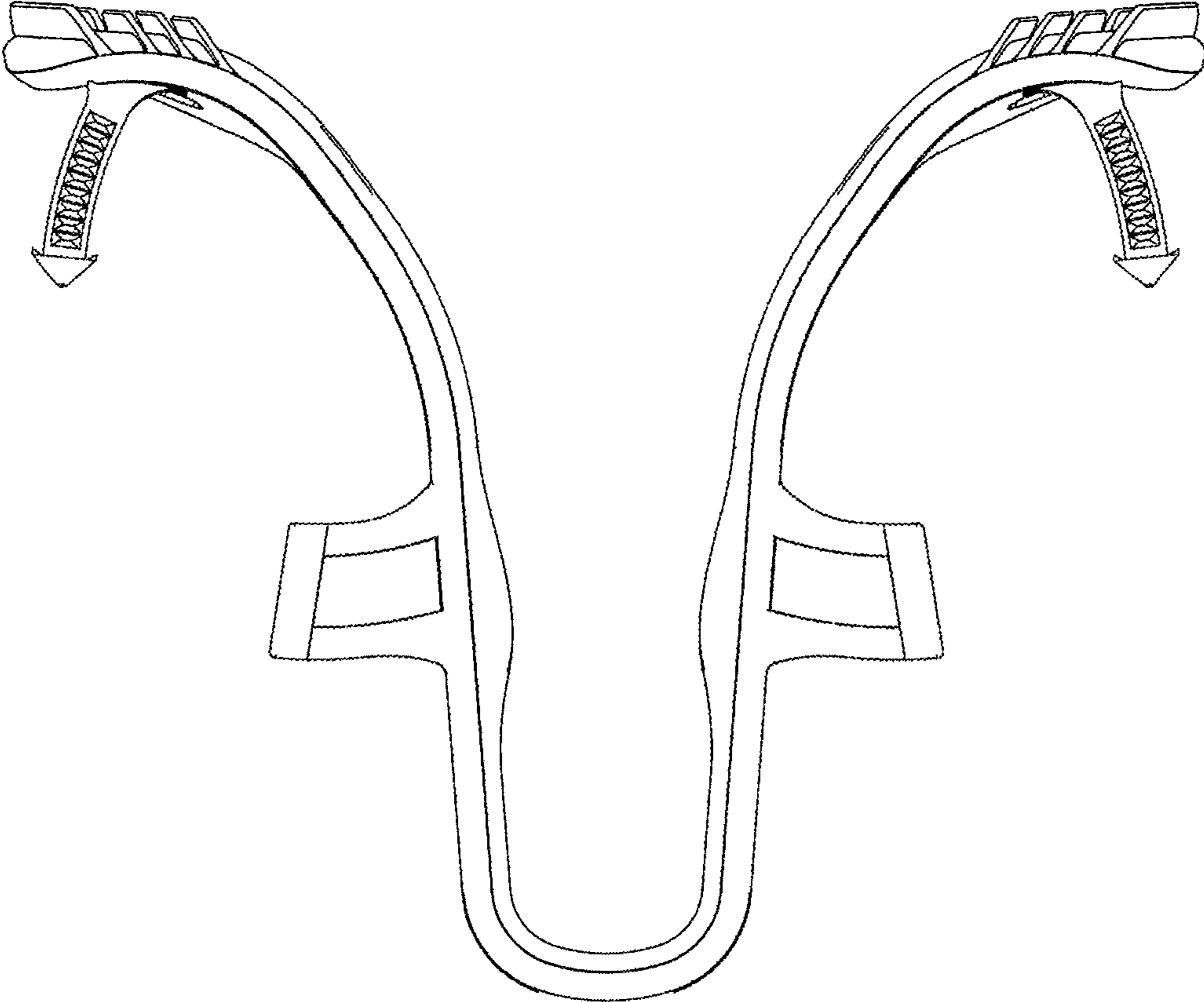


Fig. 16