



US00D774645S

(12) **United States Design Patent**
Gill et al.

(10) **Patent No.:** **US D774,645 S**

(45) **Date of Patent:** **** Dec. 20, 2016**

(54) **CLAMP**

5,983,474 A 11/1999 Koppe
6,017,026 A 1/2000 Durfee
D425,017 S 5/2000 Leung
(Continued)

(71) Applicant: **DEKA Products Limited Partnership**,
Manchester, NH (US)

(72) Inventors: **Matthew R. Gill**, San Francisco, CA
(US); **Larry B. Gray**, Merrimack, NH
(US)

FOREIGN PATENT DOCUMENTS

DE 4030368 C1 9/1990
EP 966944 A2 12/1999
(Continued)

(73) Assignee: **DEKA Products Limited Partnership**,
Manchester, NH (US)

OTHER PUBLICATIONS

(**) Term: **14 Years**

Written Opinion from the Intellectual Property Office of Singapore
for Application 11201504885X (L51SG), mailed on Apr. 13, 2016,
14 pgs.

(21) Appl. No.: **29/517,099**

(Continued)

(22) Filed: **Feb. 10, 2015**

(51) **LOC (10) Cl.** **24-02**

(52) **U.S. Cl.**
USPC **D24/128**

Primary Examiner — David Muller

(74) *Attorney, Agent, or Firm* — James D. Wyninegar, Jr.

(58) **Field of Classification Search**
USPC D24/128, 127, 143, 133, 111; D8/71-74,
D8/394; 81/487, 385
CPC B25B 1/00; B25B 5/00
See application file for complete search history.

(57) **CLAIM**

The ornamental design for a clamp, as shown and described.

DESCRIPTION

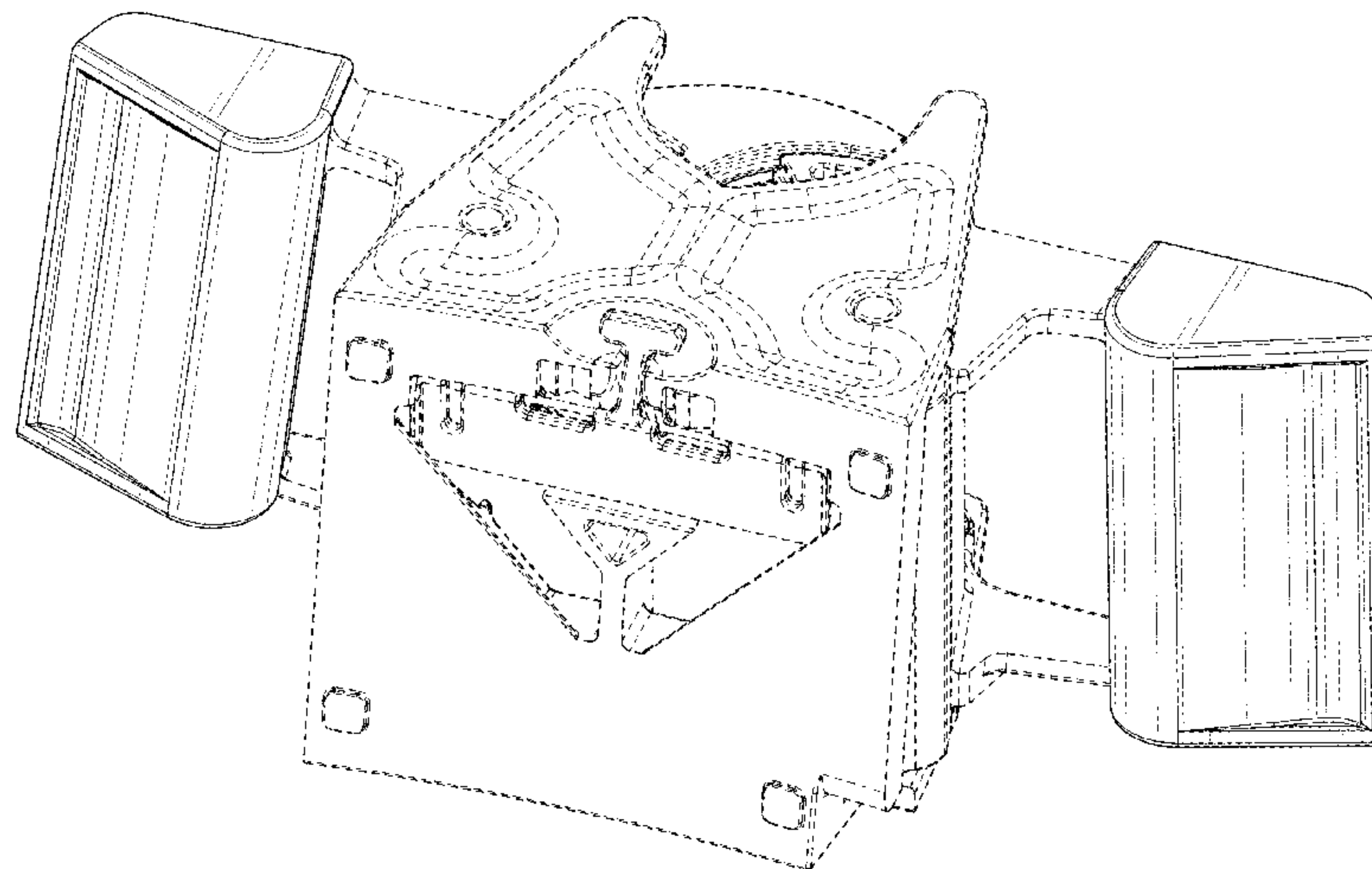
(56) **References Cited**

U.S. PATENT DOCUMENTS

3,066,965 A 12/1962 Swingewood
D288,405 S * 2/1987 Klapperich D15/140
D289,395 S 4/1987 Bowers
D295,825 S * 5/1988 Persson D8/71
5,052,730 A 10/1991 Frank
D342,005 S * 12/1993 Forsberg D8/72
D344,529 S * 2/1994 Gowdy D15/140
5,332,184 A 7/1994 Davis
5,413,391 A 5/1995 Clavin et al.
5,722,704 A 3/1998 Chaput
5,820,175 A 10/1998 Clavin
5,833,191 A 11/1998 Gennep
D415,410 S * 10/1999 An D8/394

FIG. 1 is a front, top, and right side perspective view of the
clamp, showing my new design;
FIG. 2 is a front elevation view thereof;
FIG. 3 is a rear elevation view thereof;
FIG. 4 is a left side elevation view thereof;
FIG. 5 is a right side elevation view thereof;
FIG. 6 is a top plan view thereof;
FIG. 7 is a bottom plan view thereof; and,
FIG. 8 is a rear, top, and right side perspective view of the
clamp attached to a medical pump.
The features shown in broken lines depict environmental
structure only and form no part of the claimed design.

1 Claim, 8 Drawing Sheets



(56)

References Cited

U.S. PATENT DOCUMENTS

D437,547 S * 2/2001 Moubayed D8/356
 6,253,634 B1 7/2001 Nakagome
 6,464,184 B1 * 10/2002 Lytle B01F 15/00733
 248/126
 6,572,390 B2 6/2003 Ladin
 D491,523 S 6/2004 Chi et al.
 6,832,416 B2 12/2004 Dixon
 6,896,232 B2 5/2005 Crowell et al.
 7,040,783 B1 5/2006 Christianson
 7,272,878 B2 9/2007 Dixon
 7,290,898 B2 11/2007 Martin et al.
 7,313,937 B2 1/2008 Straka, Jr.
 D568,814 S 5/2008 Hung
 7,523,535 B2 * 4/2009 Coleman B25B 5/163
 269/296
 7,566,038 B2 7/2009 Scott et al.
 7,731,141 B2 6/2010 Schuerch
 D622,583 S * 8/2010 Parks D8/394
 7,883,137 B2 2/2011 Bar
 7,980,521 B2 7/2011 Harr et al.
 8,051,515 B1 11/2011 Kring
 8,167,259 B2 5/2012 Spang, Jr. et al.
 D662,051 S 6/2012 Saunders et al.
 8,235,402 B2 8/2012 Knappe
 8,276,895 B2 10/2012 Brown et al.
 D681,436 S * 5/2013 Jebara D8/394
 D692,378 S 10/2013 Esses
 8,631,544 B1 1/2014 Shotey et al.
 8,814,094 B2 8/2014 Tran
 D728,779 S 5/2015 Sabin et al.
 9,022,374 B1 * 5/2015 Baryam B25B 5/105
 269/143
 D735,319 S 7/2015 Sabin et al.
 D736,370 S 8/2015 Sabin et al.
 D736,586 S * 8/2015 Fukui D8/72
 9,132,515 B2 * 9/2015 Spillane B23K 37/0408
 9,151,646 B2 10/2015 Kamen et al.
 D745,661 S 12/2015 Collins et al.
 D749,206 S 2/2016 Johnson et al.
 D751,689 S 3/2016 Peret et al.
 D751,690 S 3/2016 Peret et al.
 D752,209 S 3/2016 Peret et al.
 9,295,778 B2 3/2016 Kamen et al.
 D754,065 S 4/2016 Gray et al.
 D756,386 S 5/2016 Kendler et al.
 D760,288 S 6/2016 Kendler et al.
 D760,289 S 6/2016 Kendler et al.
 9,364,394 B2 6/2016 Demers et al.
 9,372,486 B2 6/2016 Peret et al.
 D760,782 S 7/2016 Kendler et al.
 D760,888 S 7/2016 Gill et al.
 9,400,873 B2 7/2016 Kamen et al.
 2005/0230444 A1 10/2005 Alling et al.
 2006/0049566 A1 3/2006 Bernstein
 2006/0237974 A1 10/2006 Hamm et al.
 2007/0190826 A1 8/2007 Knappe et al.
 2008/0116157 A1 5/2008 Fulbrook et al.
 2008/0149788 A1 6/2008 Wong et al.
 2011/0313789 A1 12/2011 Kamen et al.
 2012/0049580 A1 3/2012 Konchan
 2012/0185267 A1 7/2012 Kamen et al.
 2013/0177455 A1 7/2013 Kamen et al.
 2013/0182381 A1 7/2013 Gray et al.
 2013/0184676 A1 7/2013 Kamen
 2013/0188040 A1 7/2013 Kamen
 2013/0191513 A1 7/2013 Kamen
 2013/0197693 A1 8/2013 Kamen et al.
 2013/0204188 A1 8/2013 Kamen
 2013/0272773 A1 10/2013 Kamen
 2013/0281965 A1 10/2013 Kamen
 2013/0297330 A1 11/2013 Kamen et al.
 2013/0310990 A1 11/2013 Peret et al.
 2013/0317753 A1 11/2013 Kamen
 2013/0317837 A1 11/2013 Ballantyne
 2013/0336814 A1 12/2013 Kamen

2013/0339049 A1 12/2013 Blumberg, Jr.
 2013/0346108 A1 12/2013 Kamen
 2014/0165703 A1 6/2014 Wilt
 2014/0180711 A1 6/2014 Kamen
 2014/0188076 A1 7/2014 Kamen
 2014/0188516 A1 7/2014 Kamen
 2014/0195639 A1 7/2014 Kamen
 2014/0227021 A1 8/2014 Kamen et al.
 2014/0318639 A1 10/2014 Peret
 2014/0343492 A1 11/2014 Kamen
 2014/0373580 A1 12/2014 Le
 2015/0002667 A1 1/2015 Peret et al.
 2015/0002668 A1 1/2015 Peret et al.
 2015/0002677 A1 1/2015 Peret et al.
 2015/0033823 A1 2/2015 Blumberg, Jr.
 2015/0041419 A1 2/2015 Hasegawa
 2015/0154364 A1 6/2015 Biasi et al.
 2015/0157791 A1 6/2015 Desch et al.
 2015/0238228 A1 8/2015 Langenfeld et al.
 2015/0257974 A1 9/2015 Demers et al.
 2015/0314083 A1 11/2015 Blumberg, Jr. et al.
 2015/0332009 A1 11/2015 Kane et al.
 2016/0055397 A1 2/2016 Peret et al.
 2016/0055649 A1 2/2016 Peret et al.
 2016/0061641 A1 3/2016 Peret et al.
 2016/0063353 A1 3/2016 Peret et al.
 2016/0073063 A1 3/2016 Peret et al.
 2016/0084434 A1 3/2016 Janway et al.
 2016/0097382 A1 4/2016 Kamen et al.
 2016/0131272 A1 5/2016 Yoo et al.
 2016/0158437 A1 6/2016 Biasi et al.
 2016/0179086 A1 6/2016 Peret et al.
 2016/0184510 A1 6/2016 Kamen et al.

FOREIGN PATENT DOCUMENTS

EP 1690517 A2 8/2006
 EP 2532901 A1 12/2012
 JP 3048970 B2 6/2000
 WO WO0136027 A1 5/2001
 WO WO2010128929 A1 11/2010
 WO WO2013095459 A9 6/2013
 WO WO2013096713 A2 6/2013
 WO WO2013096718 A2 6/2013
 WO WO2013096722 A2 6/2013
 WO WO2013096909 A2 6/2013
 WO WO2013102494 A1 7/2013
 WO WO2013161709 A1 10/2013
 WO WO2013176770 A2 11/2013
 WO WO2013177357 A1 11/2013
 WO WO2014100557 A2 6/2014
 WO WO2014100571 A2 6/2014
 WO WO2014100658 A1 6/2014
 WO WO2014100687 A2 6/2014
 WO WO2014100736 A2 6/2014
 WO WO2014100744 A2 6/2014
 WO WO2014144557 A2 9/2014
 WO WO2015017275 A1 2/2015

OTHER PUBLICATIONS

Invitation to Pay Additional Fees and, Where Applicable, Protest Fee dated May 9, 2014, received in International patent application No. PCT/US2013/077270 (L51WO), 5 pgs.
 Report of substantive examination from Superintendent of Industry and Commerce of Colombia for Patent Application 15-167448-1 (L51CO), mailed on Aug. 8, 2015.
 Report of substantive examination from Superintendent of Industry and Commerce of Colombia for Patent Application 15-167448-1 (R16), mailed on Feb. 11, 2016.
 Report of substantive examination from Superintendent of Industry and Commerce of Colombia for Patent Application 15-167448-1 (R17), mailed on Feb. 11, 2016.
 International Search Report & Written Opinion dated Jun. 26, 2014, received in International patent application No. PCT/US2013/077270 (L51WO), 17 pgs.

(56)

References Cited

OTHER PUBLICATIONS

International Preliminary Report on Patentability dated Jun. 23, 2015, received in International patent application No. PCT/US2013/077270 (L51WO), 11 pgs.

Invitation to Pay Additional Fees and, Where Applicable, Protest Fee dated Apr. 25, 2016, received in International patent application No. PCT/US2015/063359 (Q69WO), 7 pgs.

International Search Report & Written Opinion dated Jul. 4, 2016, received in International patent application No. PCT/US2015/063359 (Q69WO), 18 pgs.

U.S. Appl. No. 29/571,387, filed Jul. 18, 2016.

* cited by examiner

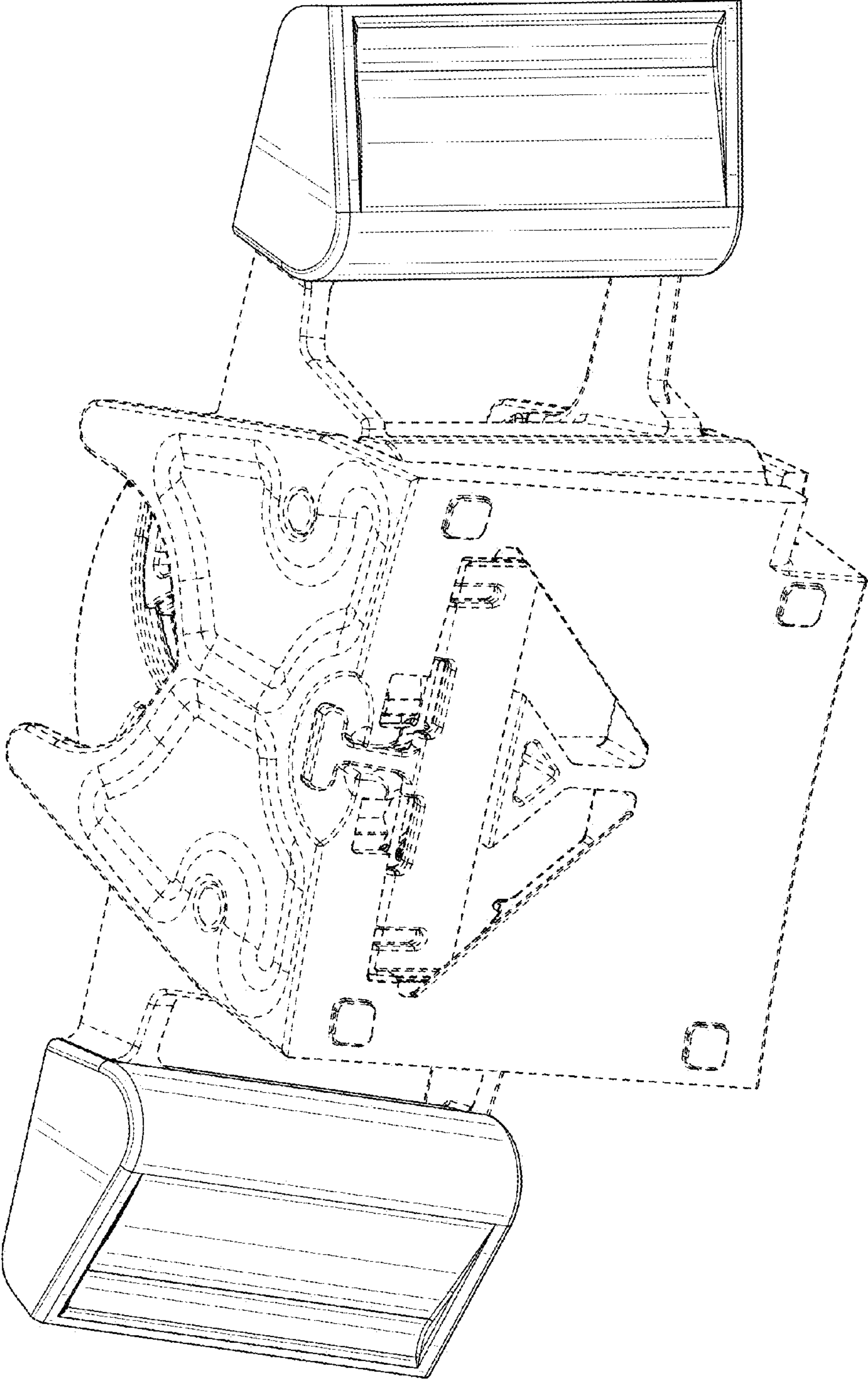


FIG. 1

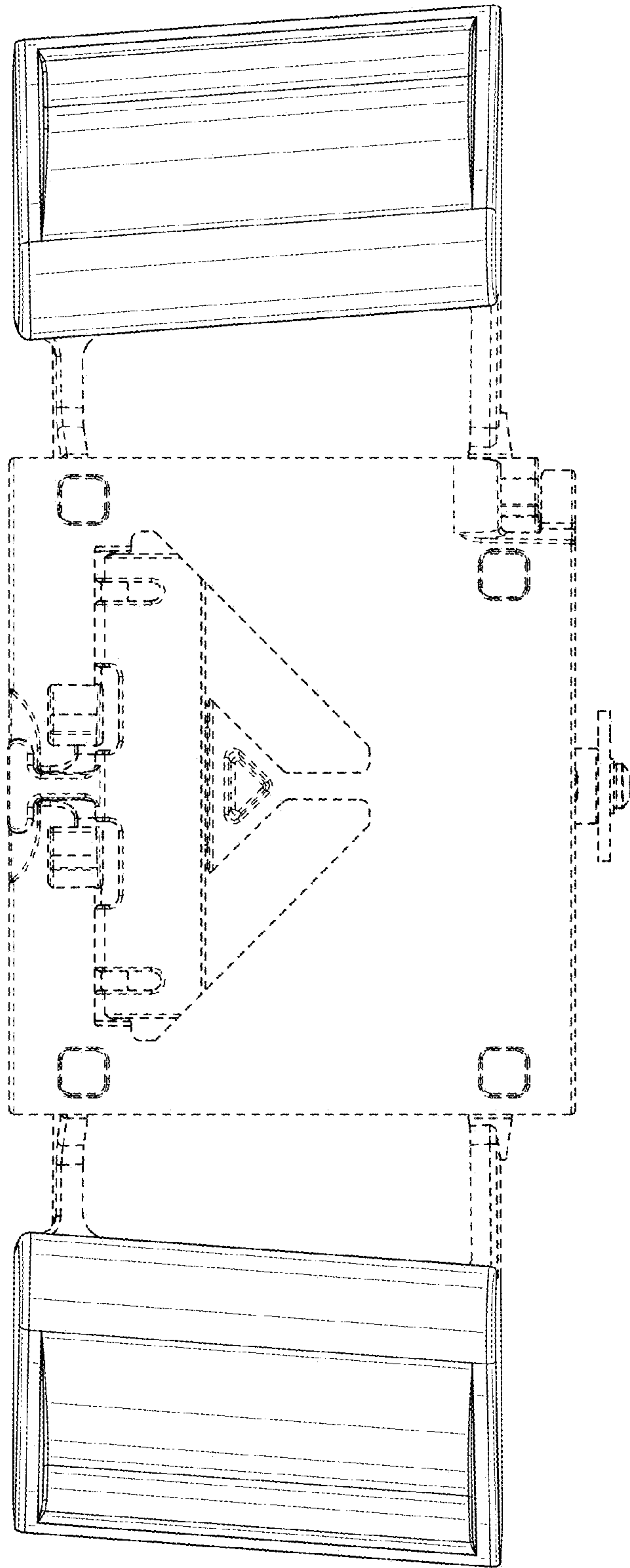


FIG. 2

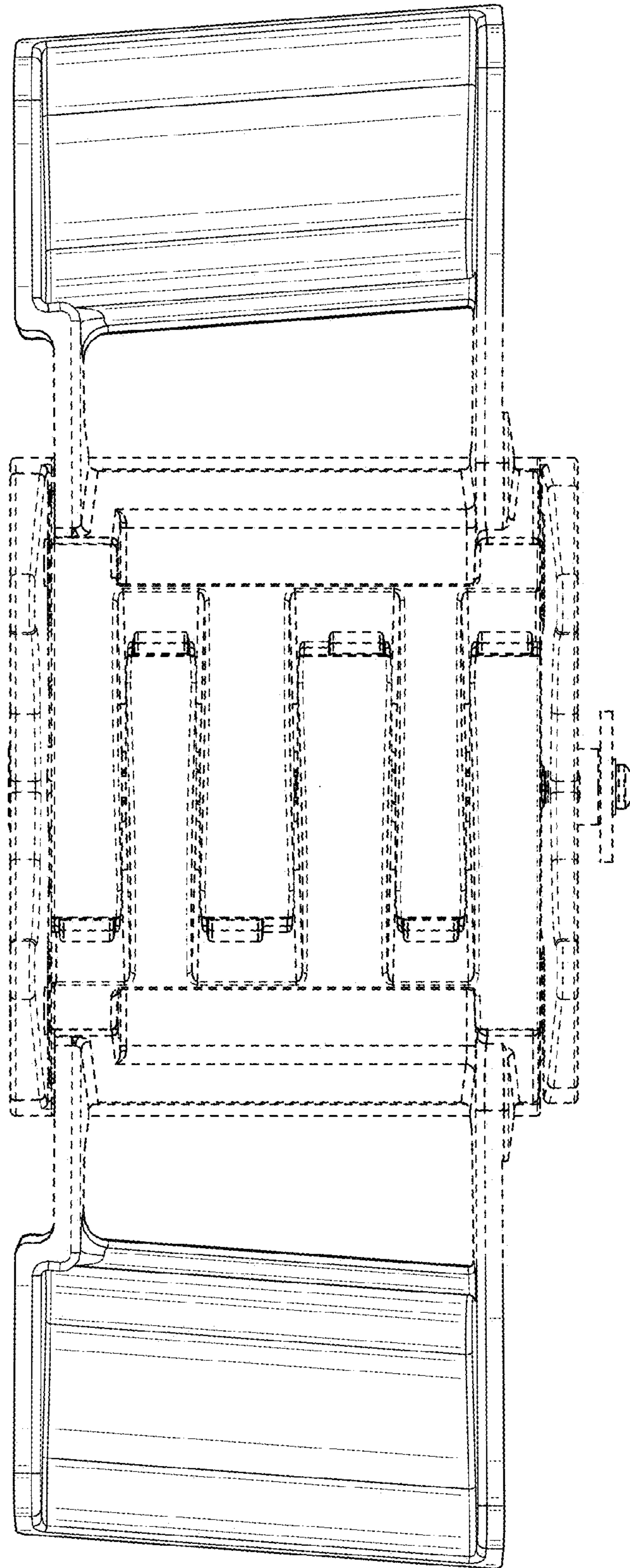


FIG. 3

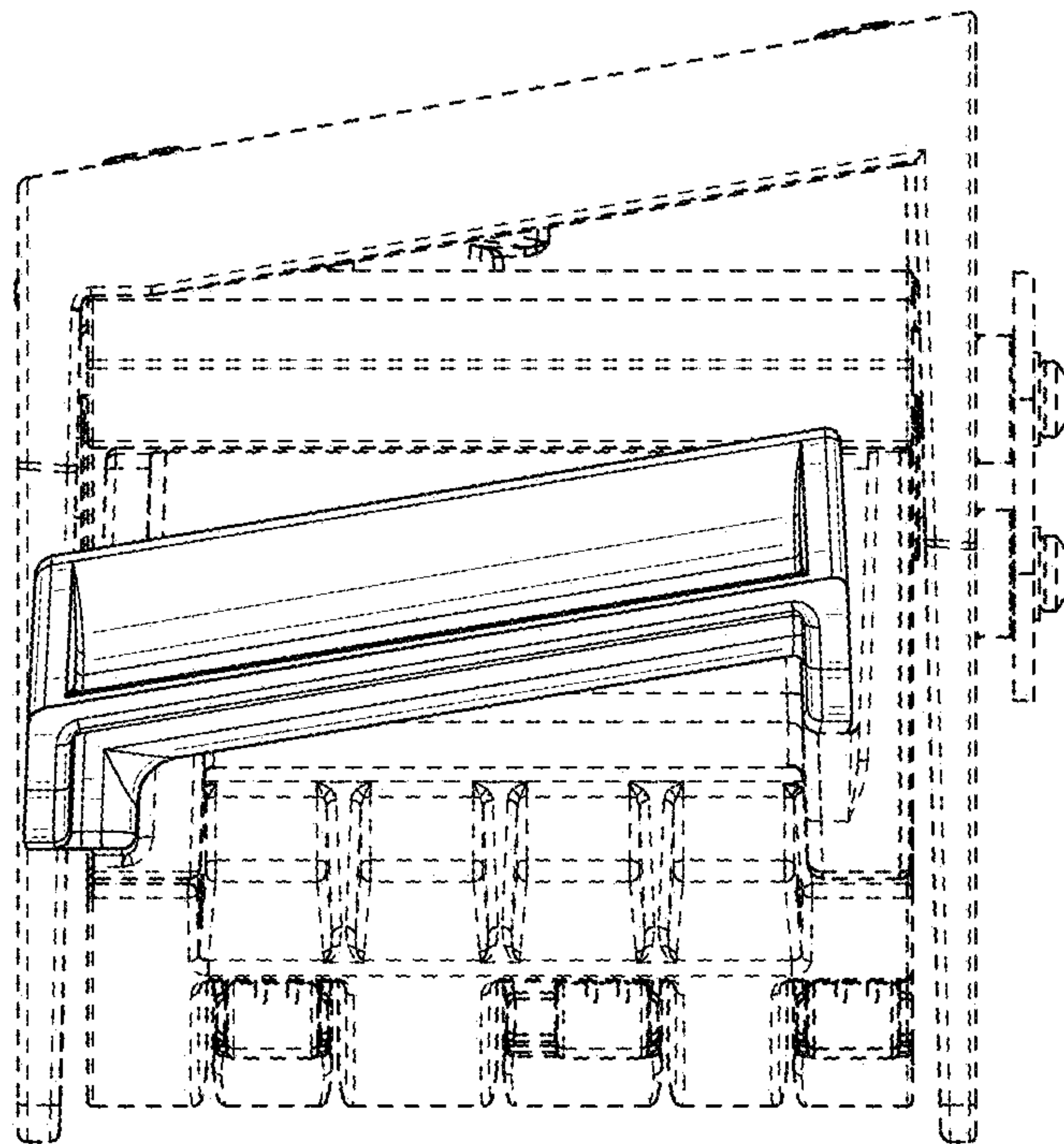


FIG. 4

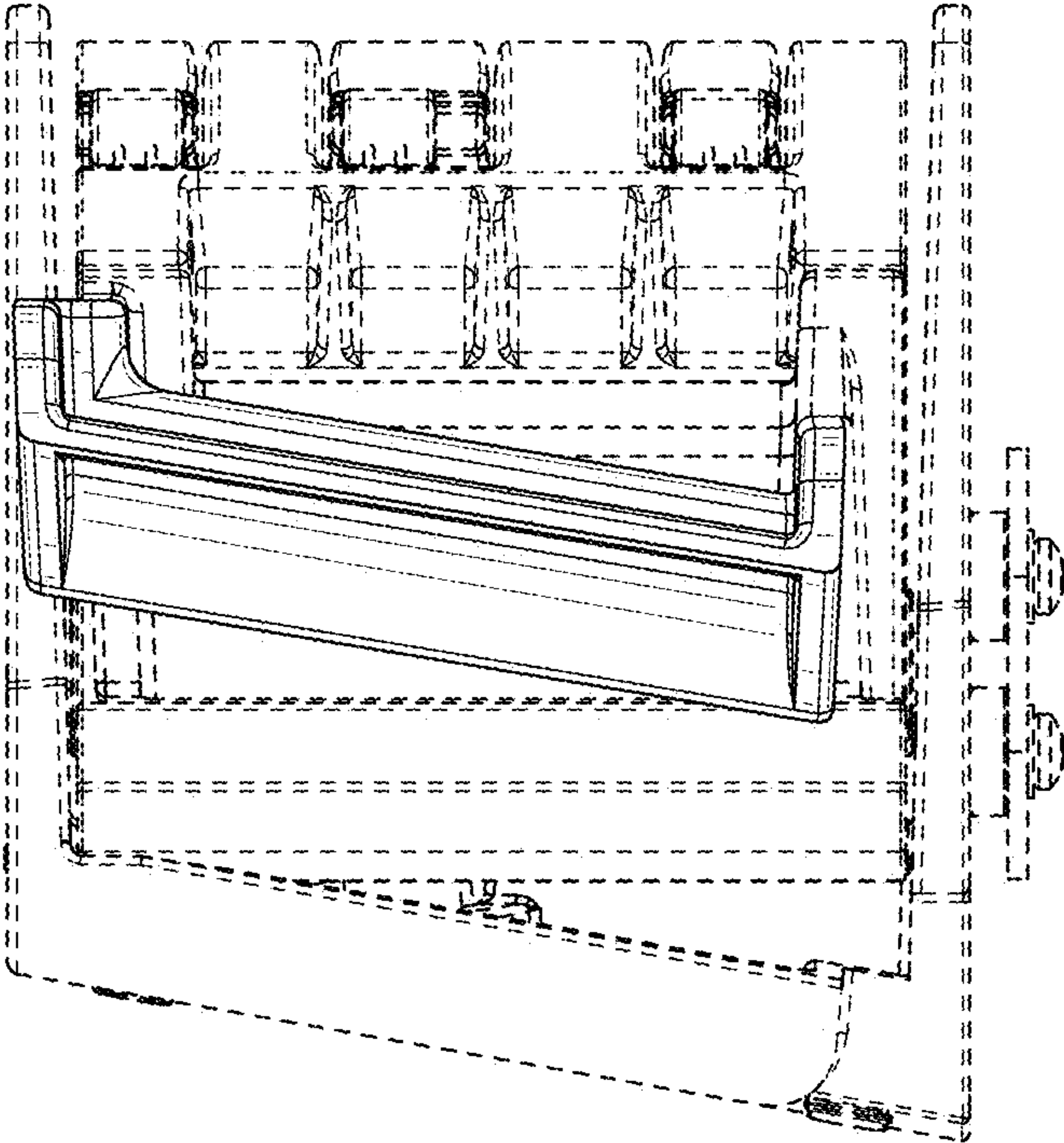


FIG. 5

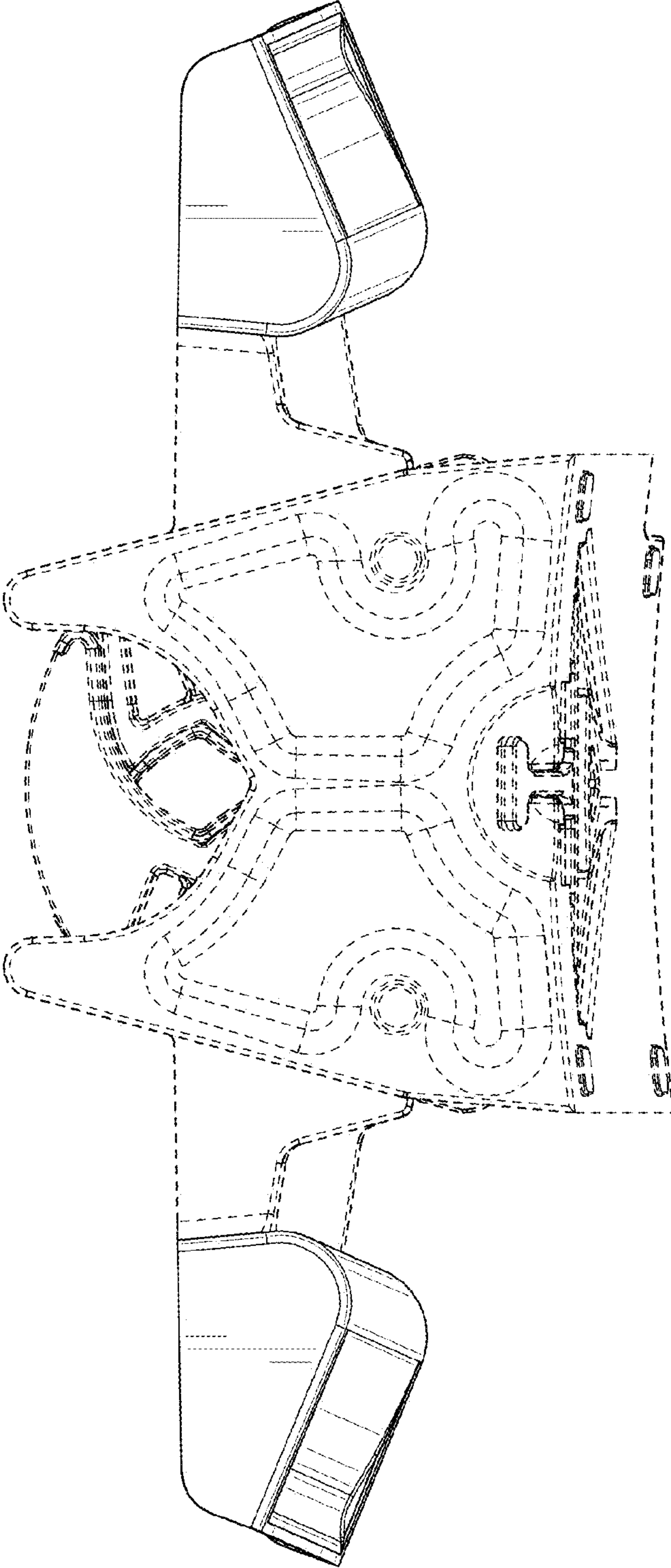


FIG. 6

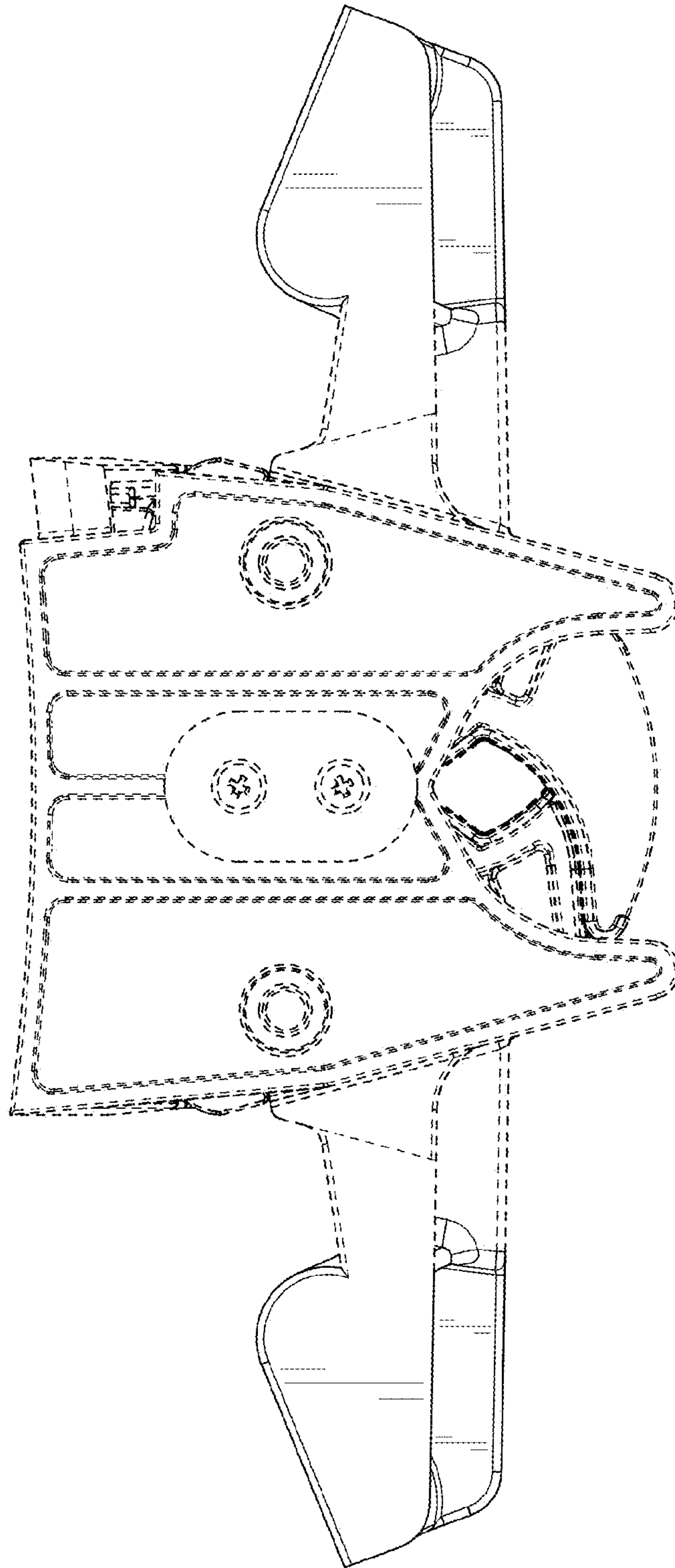


FIG. 7

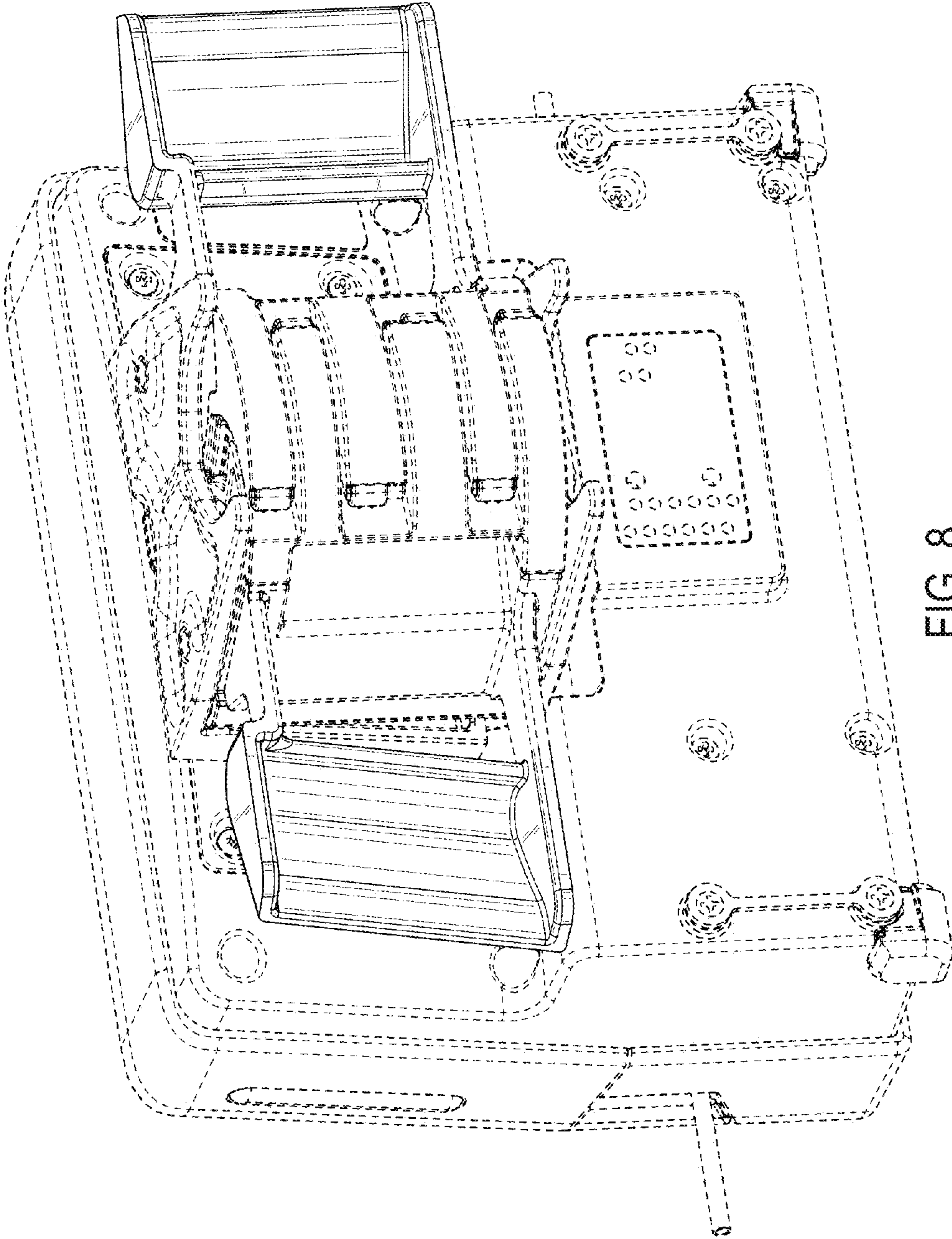


FIG. 8