



US00D774641S

(12) **United States Design Patent** (10) **Patent No.:** **US D774,641 S**
Miggels et al. (45) **Date of Patent:** **** Dec. 20, 2016**

(54) **AUTO INJECTOR**

(71) Applicant: **Merck Sharp & Dohme Corp.**,
Rahway, NJ (US)

(72) Inventors: **Stephen G. Miggels**, Wyckoff, NJ
(US); **Inyoung Jang**, Ridgefield, NJ
(US); **Henry Mack**, Phillipsburg, NJ
(US); **Wail Rasheed**, Union, NJ (US);
Scott Brown, Princeton, NJ (US);
Robert Berger, Bound Brook, NJ (US);
Peter Basile, Bloomsbury, NJ (US)

(73) Assignee: **Merck Sharp & Dohme Corp.**,
Rahway, NJ (US)

(**) Term: **15 Years**

(21) Appl. No.: **29/545,242**

(22) Filed: **Nov. 11, 2015**

(51) **LOC (10) Cl.** **24-02**

(52) **U.S. Cl.**
USPC **D24/113**

(58) **Field of Classification Search**
USPC D24/112-114, 108, 133, 130, 127, 186;
606/181, 185; 604/264, 272, 187, 181,
604/184, 227
CPC A61M 5/178; A61M 3/00; A61M 5/20;
A61M 5/31; A61M 5/3146; A61M
5/3129; A61M 5/3148; A61M 5/315
See application file for complete search history.

(56) **References Cited**

U.S. PATENT DOCUMENTS

7,452,366 B2 * 11/2008 Chen A61B 5/1411
606/181
7,695,454 B2 * 4/2010 Barron A61M 5/31541
604/187
D707,351 S * 6/2014 Kunze D24/112

D733,869 S * 7/2015 Ratjen D24/113
D758,566 S * 6/2016 Chen D24/113
D758,569 S * 6/2016 Wohlfahrt D24/113
D758,570 S * 6/2016 Wohlfahrt D24/113
D758,571 S * 6/2016 Geert-Jensen D24/113
2007/0088288 A1 * 4/2007 Barron A61M 5/31541
604/207
2013/0236872 A1 * 9/2013 Laurusonis G09B 23/285
434/262
2014/0121691 A1 * 5/2014 Hudson A61B 5/1411
606/173

(Continued)

OTHER PUBLICATIONS

SHL Group "SHL Medical Product Datasheet—NAISA Auto Injec-
tor", Sep. 15, 2015 pp. 1-2.

Primary Examiner — David Muller

(74) *Attorney, Agent, or Firm* — Gloria M. Fuentes; Li Su

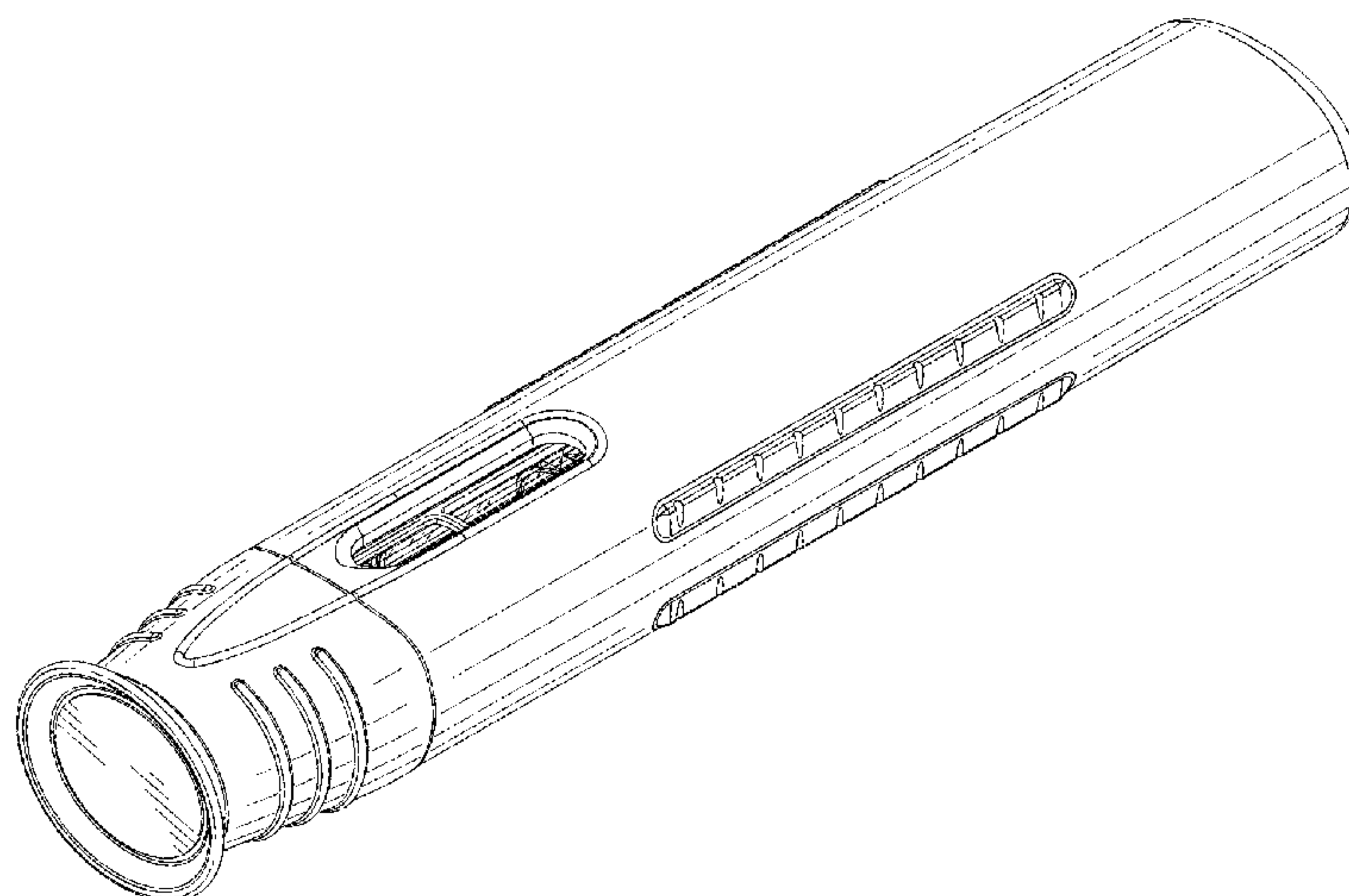
(57) **CLAIM**

The ornamental design for an auto injector, as shown and
described.

DESCRIPTION

FIG. 1 is a perspective view of an auto injector, showing our
new design;
FIG. 2 is a front side elevational view thereof, the rear side
being a mirror image;
FIG. 3 is a left side elevational view thereof, the right side
being a mirror image;
FIG. 4 is a top plan view thereof;
FIG. 5 is a bottom plan view thereof;
FIG. 6 is a perspective view of an auto injector with the
cap removed;
FIG. 7 is a front side elevational view thereof, with the cap
removed, the rear side being a mirror image; and,
FIG. 8 is a left side elevational view thereof, with the cap
removed, the right side being a mirror image.

1 Claim, 7 Drawing Sheets



(56)

References Cited

U.S. PATENT DOCUMENTS

2014/0128840 A1* 5/2014 Rao A61M 5/2033
604/506
2015/0011949 A1* 1/2015 Soerensen A61M 5/24
604/235

* cited by examiner

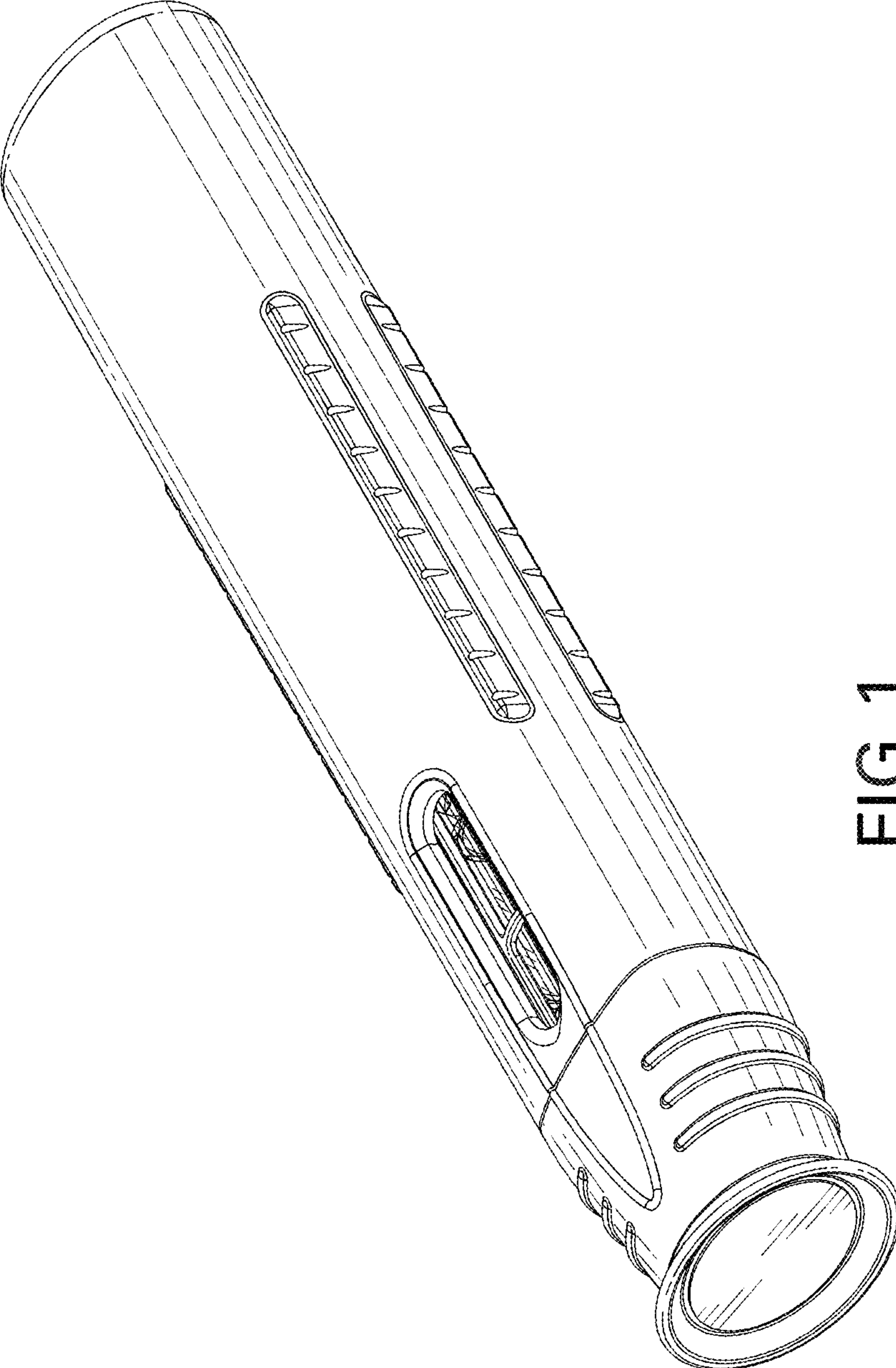


FIG. 1

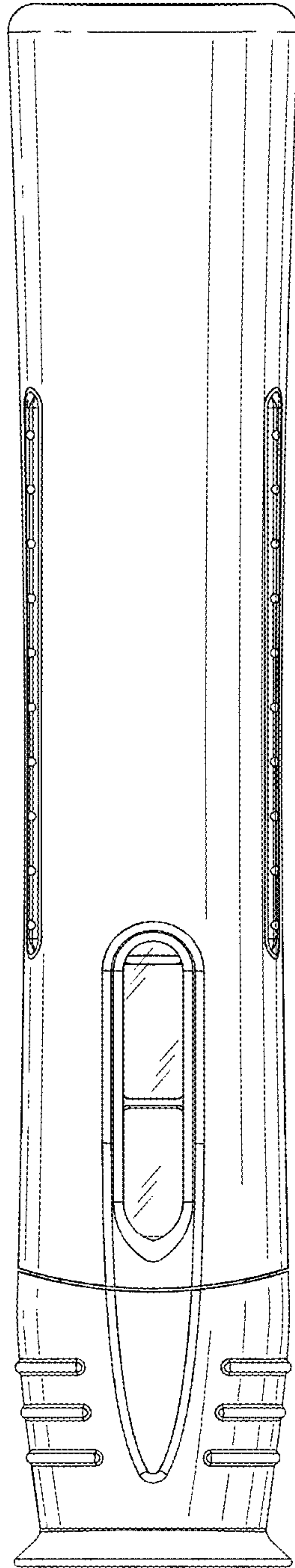


FIG. 2

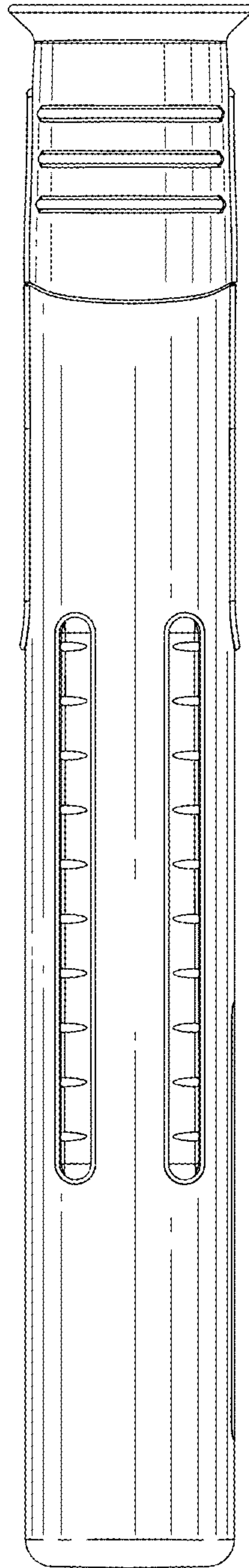


FIG. 3

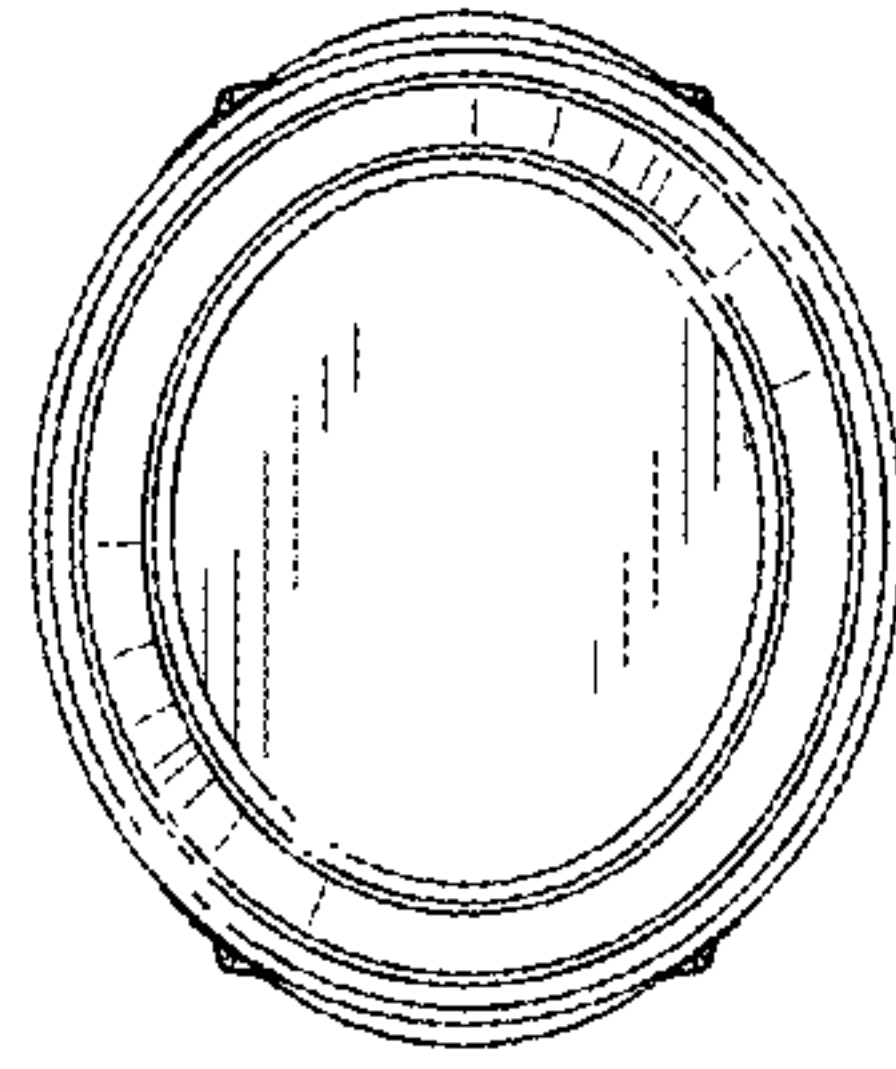


FIG. 5

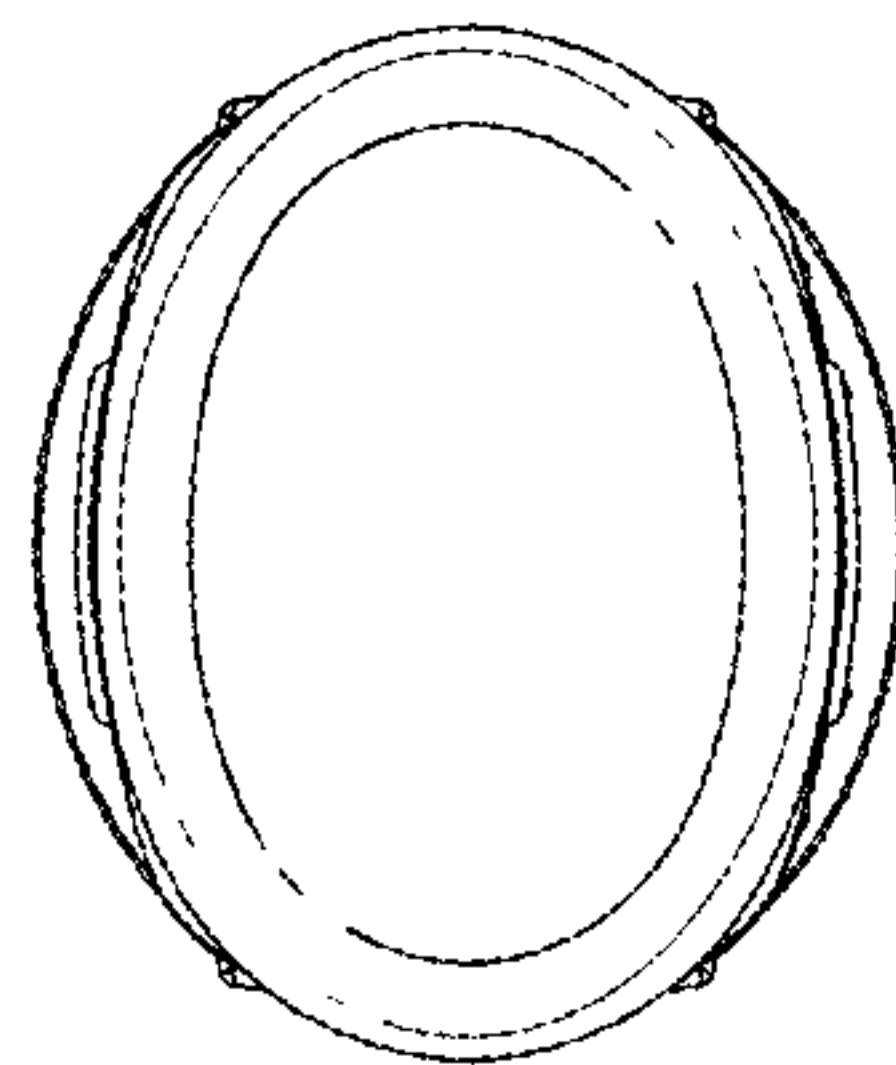


FIG. 4

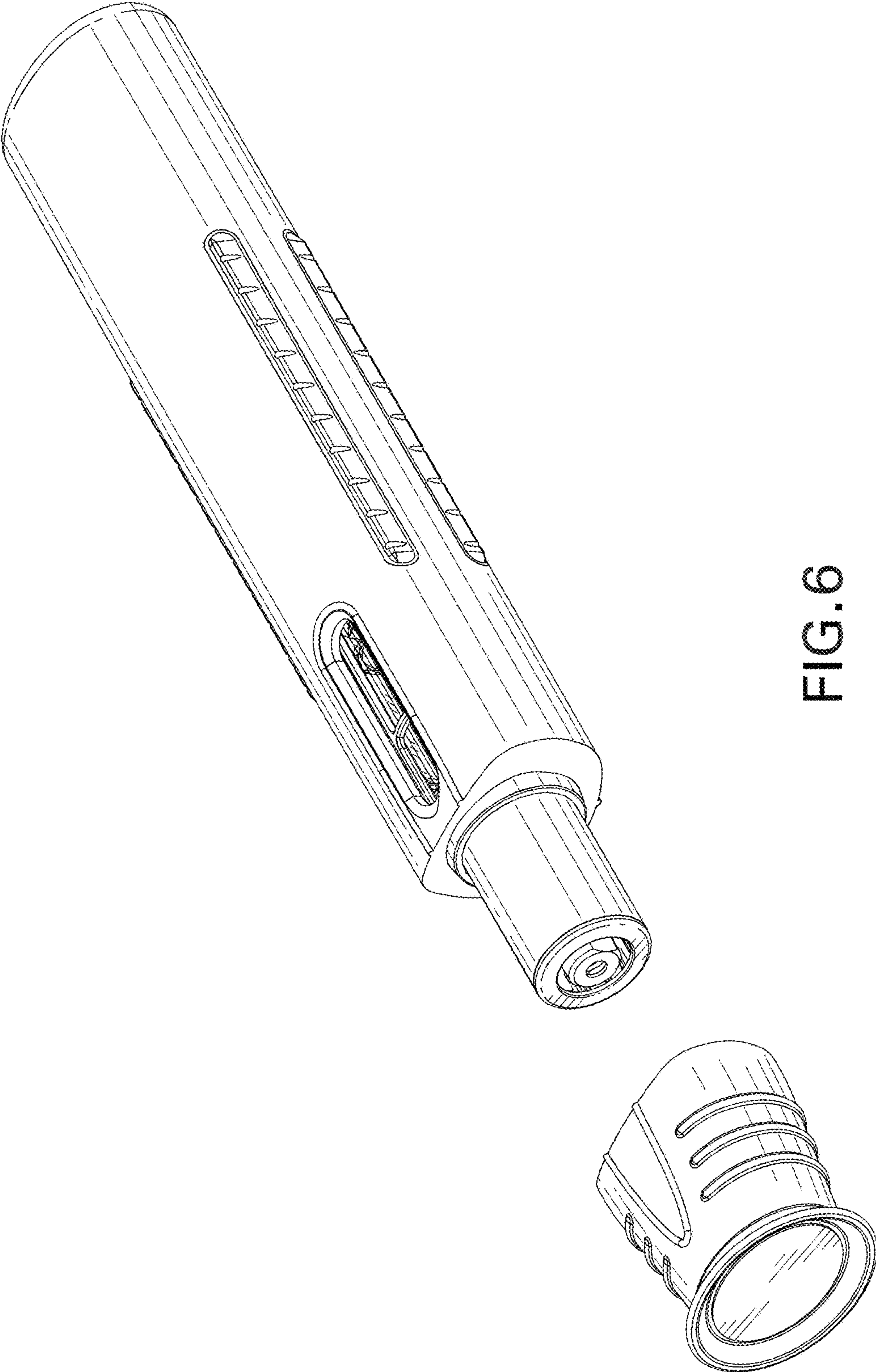


FIG. 6

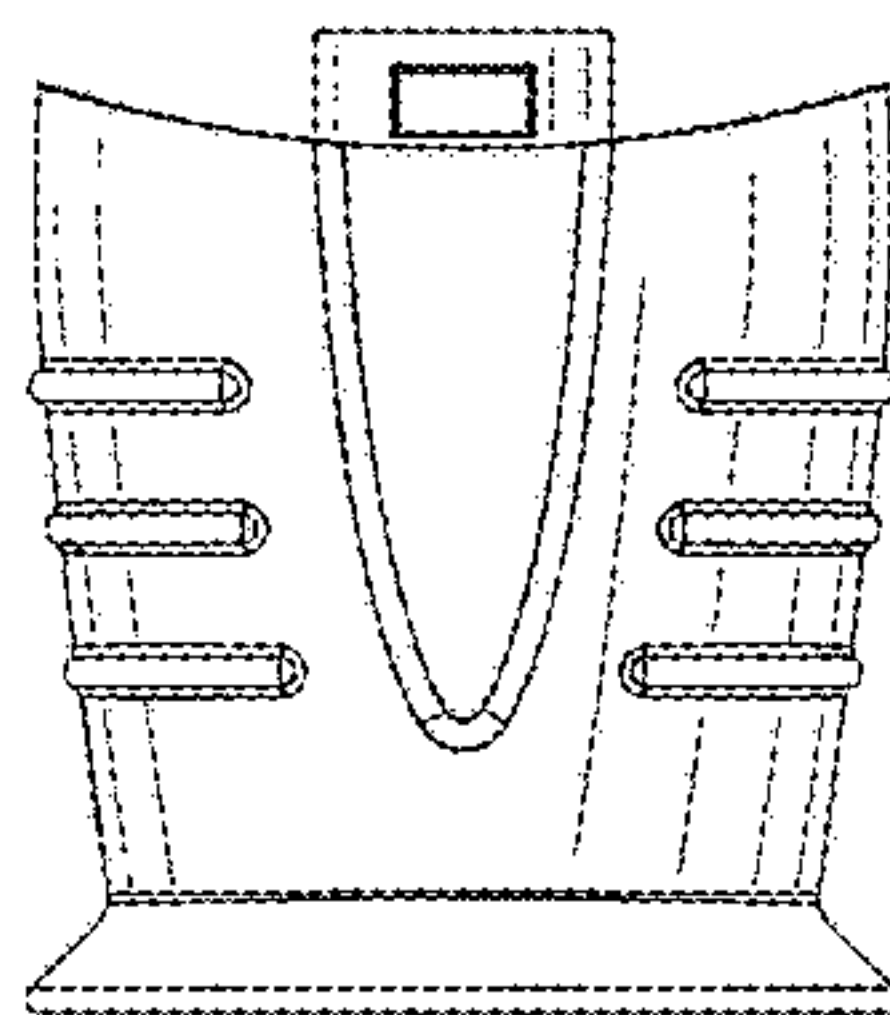
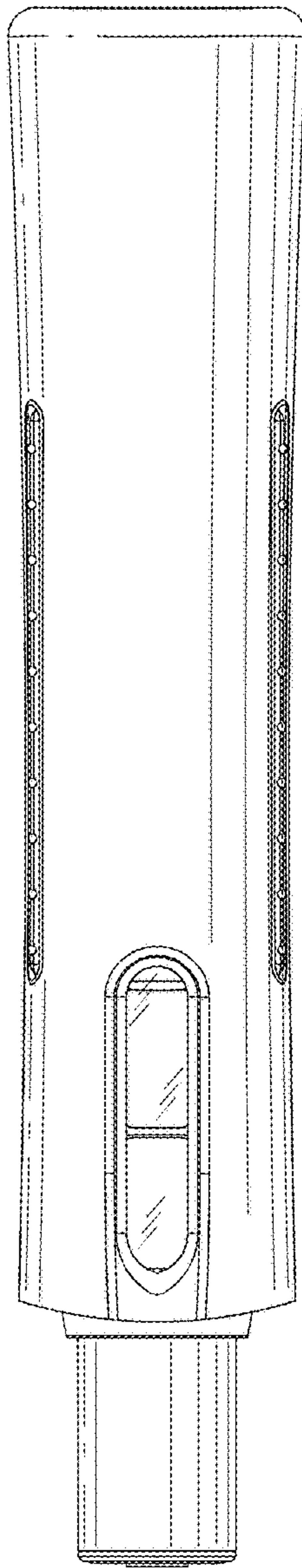


FIG. 7

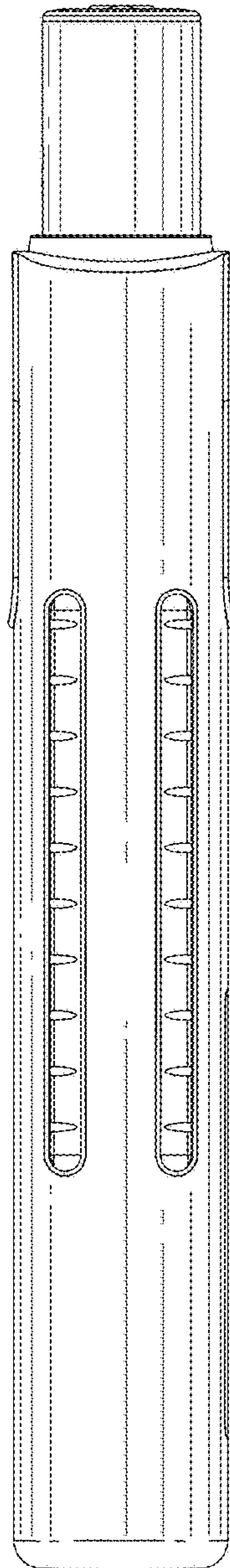
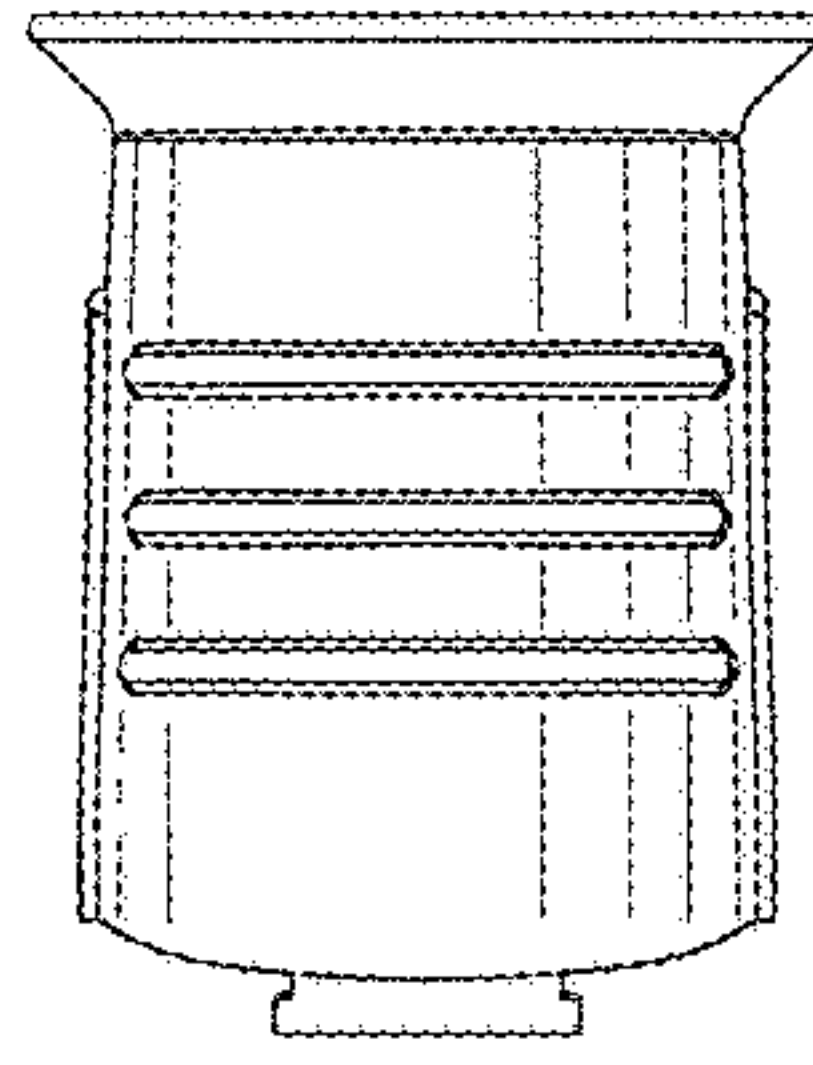


FIG. 8