



US00D774636S

(12) **United States Design Patent**
Ramsay et al.

(10) **Patent No.:** **US D774,636 S**

(45) **Date of Patent:** **** Dec. 20, 2016**

(54) **ROOF EXHAUST**
(71) Applicants: **Serge Ramsay**, Montreal (CA); **Linda Ramsay**, Montreal (CA)
(72) Inventors: **Serge Ramsay**, Montreal (CA); **Jean Wilson**, Kirkland (CA)
(**) Term: **15 Years**

D391,632 S * 3/1998 Thomas D23/373
D448,468 S * 9/2001 Koessler D23/373
6,302,788 B1 * 10/2001 Gagnon D06F 58/20
454/359
D675,719 S * 2/2013 Eicher D23/373
D678,996 S * 3/2013 Jones D23/393
D705,419 S * 5/2014 Leonard D23/373
9,222,691 B2 * 12/2015 Ramsay F24F 7/02
9,441,854 B2 * 9/2016 Ramsay F24F 13/1406
2006/0025067 A1 * 2/2006 Koessler F24F 7/02
454/359

(21) Appl. No.: **29/543,525**
(22) Filed: **Oct. 26, 2015**
(51) **LOC (10) Cl.** **23-04**
(52) **U.S. Cl.**
USPC **D23/373**
(58) **Field of Classification Search**
USPC D23/370, 355, 314, 414, 371, 377,
385, D23/411, 383, 373; 415/121.1;
D14/432
CPC F04D 29/329; F04D 29/526; F04D 25/082;
F04D 29/325; F04D 29/703; F04D
29/547; B65D 90/36; F23L 17/02; F24F
13/1406; F24F 1/02
See application file for complete search history.

* cited by examiner

Primary Examiner — Cynthia Underwood
(74) *Attorney, Agent, or Firm* — Marshall, Gerstein & Borun LLP

(56) **References Cited**
U.S. PATENT DOCUMENTS
D155,345 S * 9/1949 Johnson D23/373
2,741,972 A * 4/1956 Pryne F23L 17/02
454/27
4,214,511 A * 7/1980 Mueller B65D 90/36
454/182
D304,367 S * 10/1989 Saas D23/373
D349,158 S * 7/1994 Lieblein D23/371

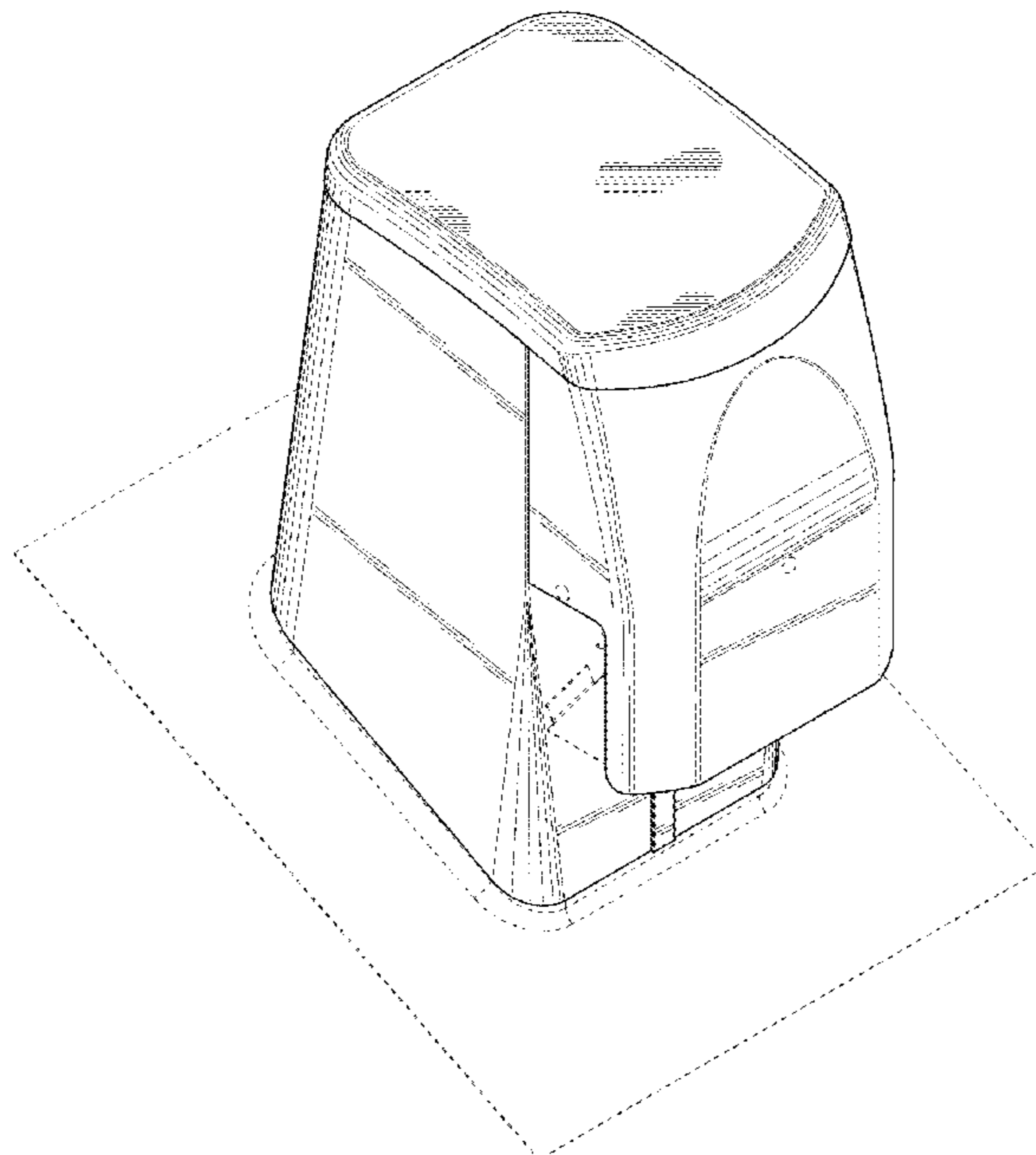
(57) **CLAIM**

The ornamental design for a roof exhaust, as shown and described.

DESCRIPTION

FIG. 1 is a perspective view of a roof exhaust bearing the design.
FIG. 2 is a front view of the roof exhaust of FIG. 1.
FIG. 3 is a rear view of the roof exhaust of FIG. 1.
FIG. 4 is a left-side view of the roof exhaust of FIG. 1.
FIG. 5 is a right-side view of the roof exhaust of FIG. 1.
FIG. 6 is a top view of the roof exhaust of FIG. 1; and,
FIG. 7 is a bottom view of the roof exhaust of FIG. 1.
The broken lines represent environment that forms no part of the claim.

1 Claim, 7 Drawing Sheets



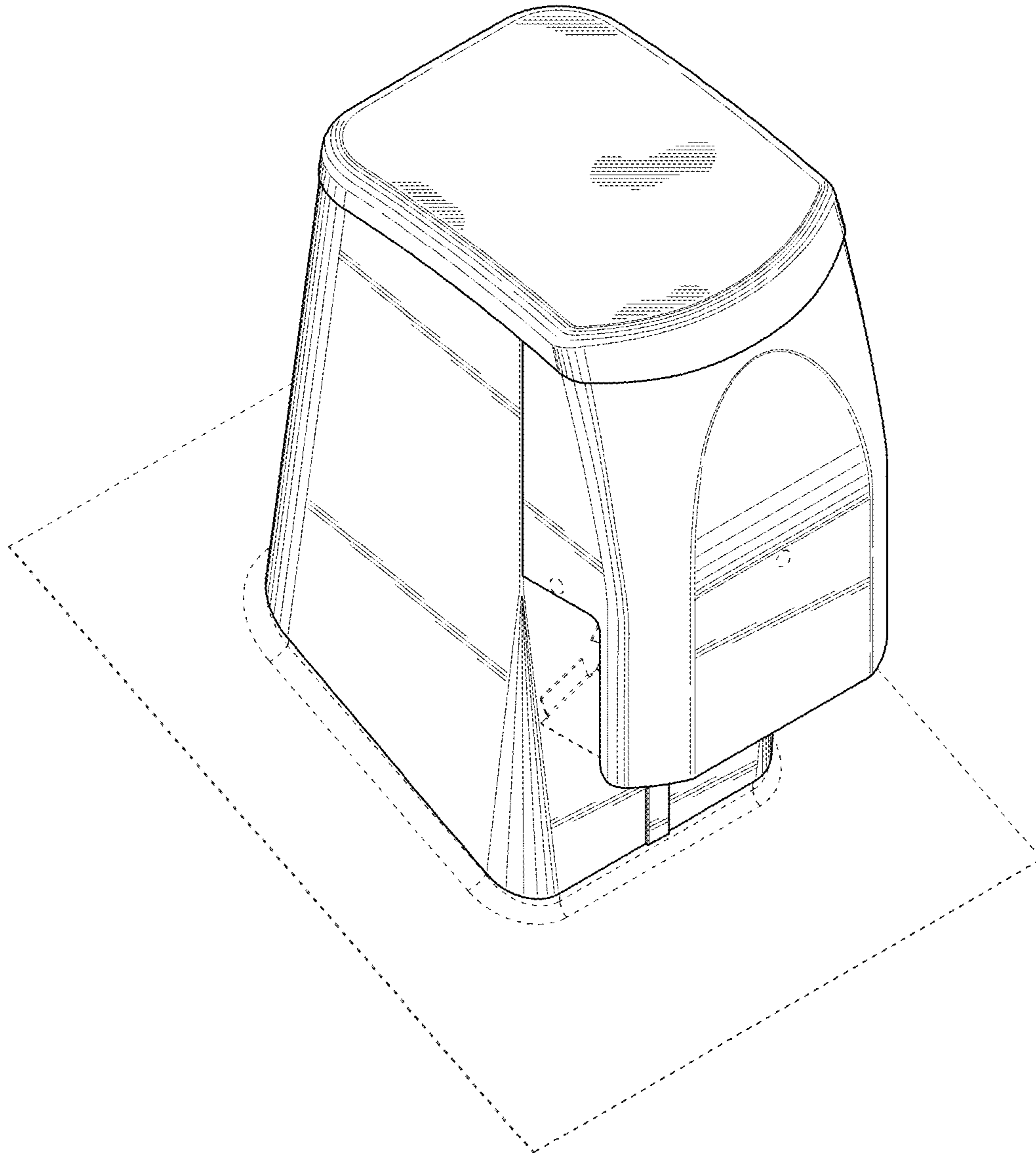


FIG. 1

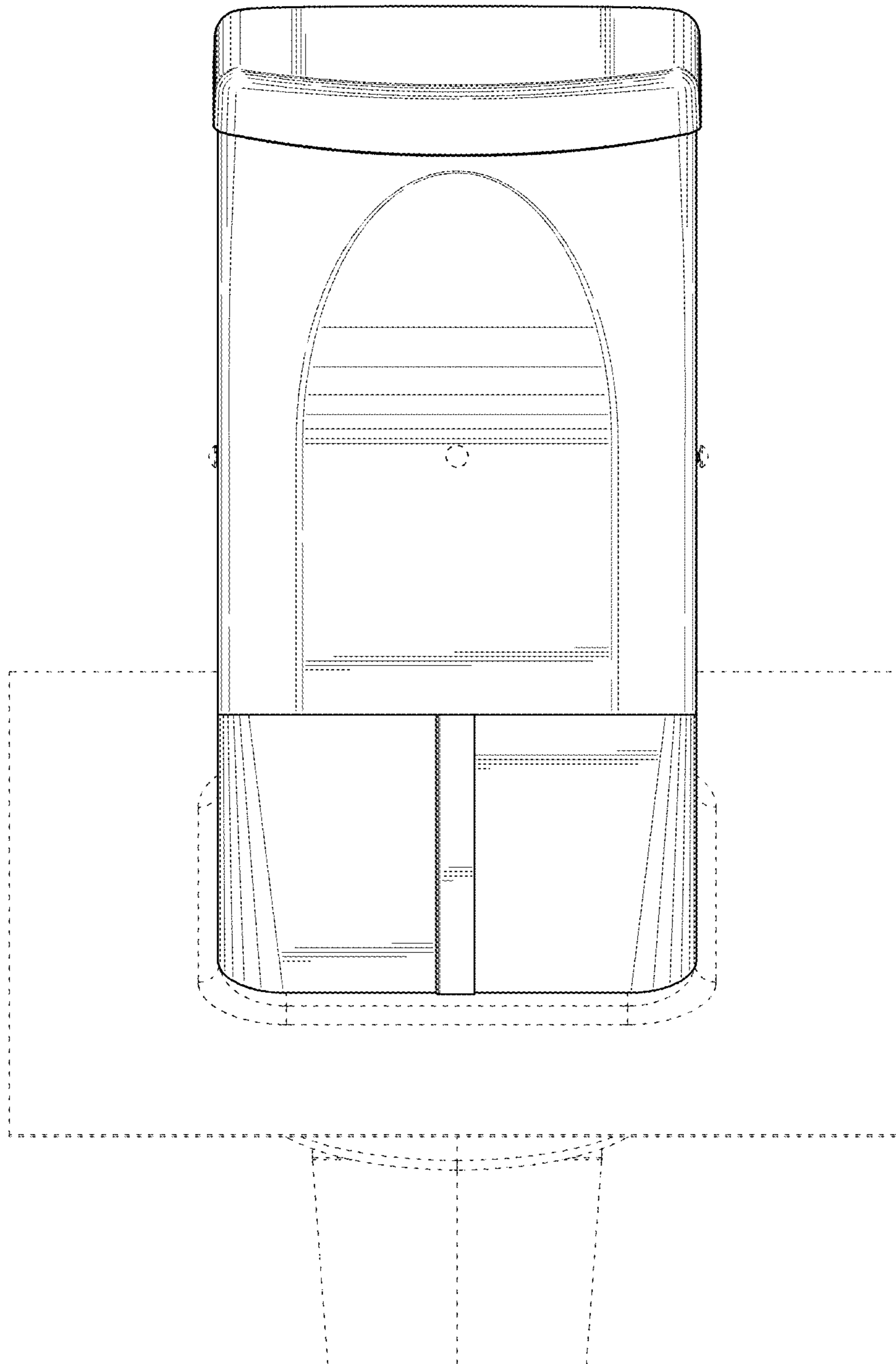


FIG. 2

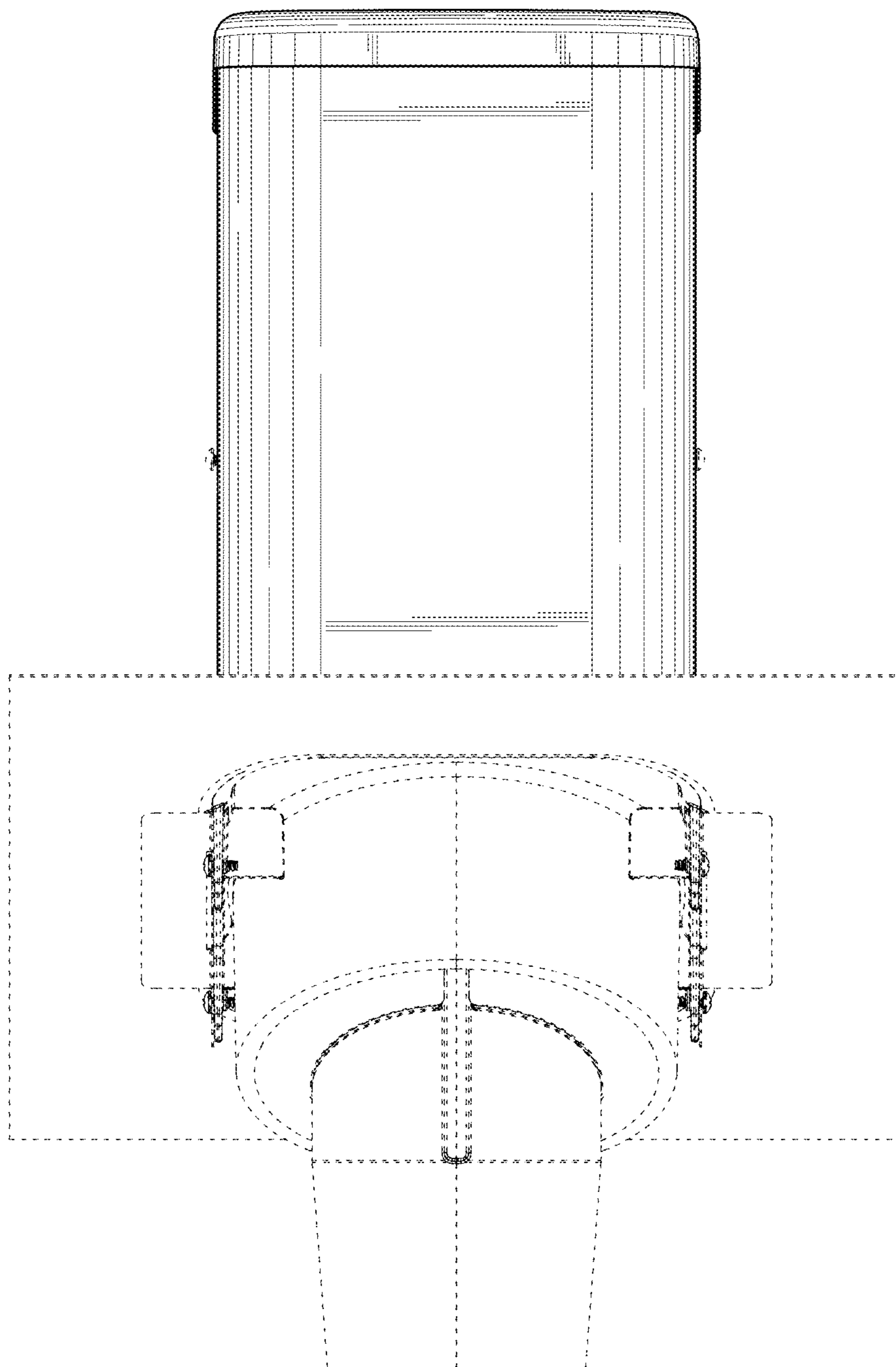


FIG. 3

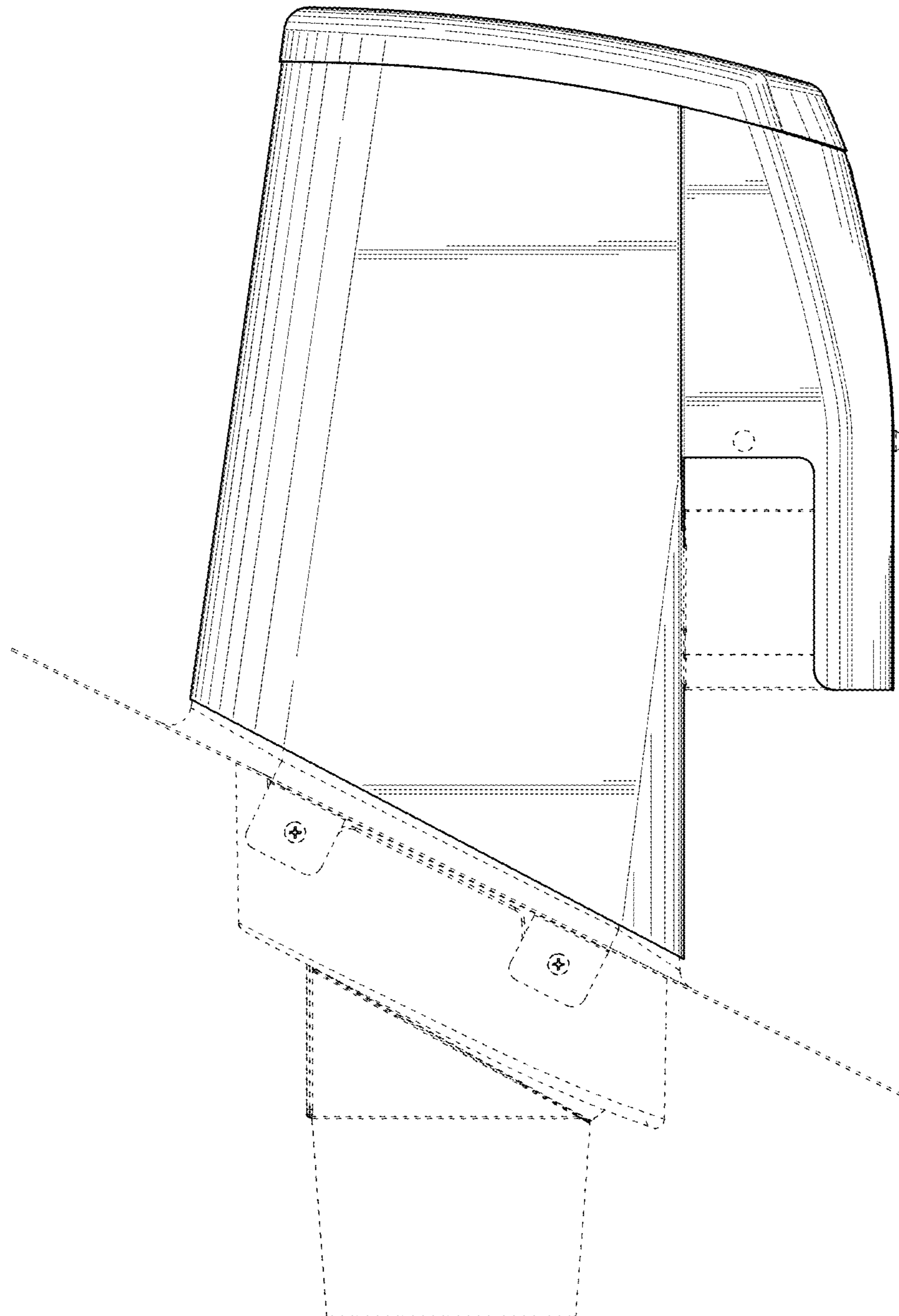


FIG. 4

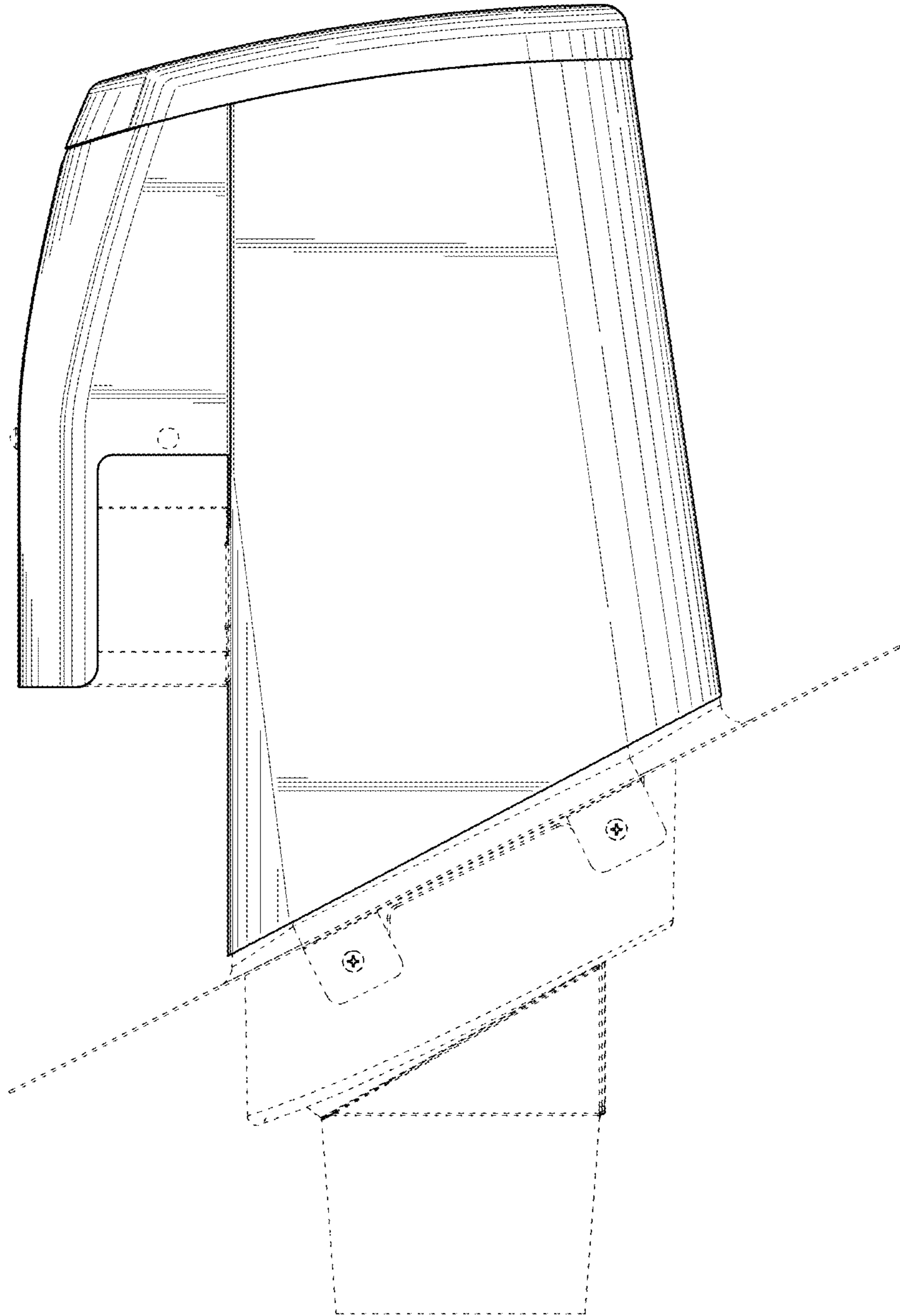


FIG. 5

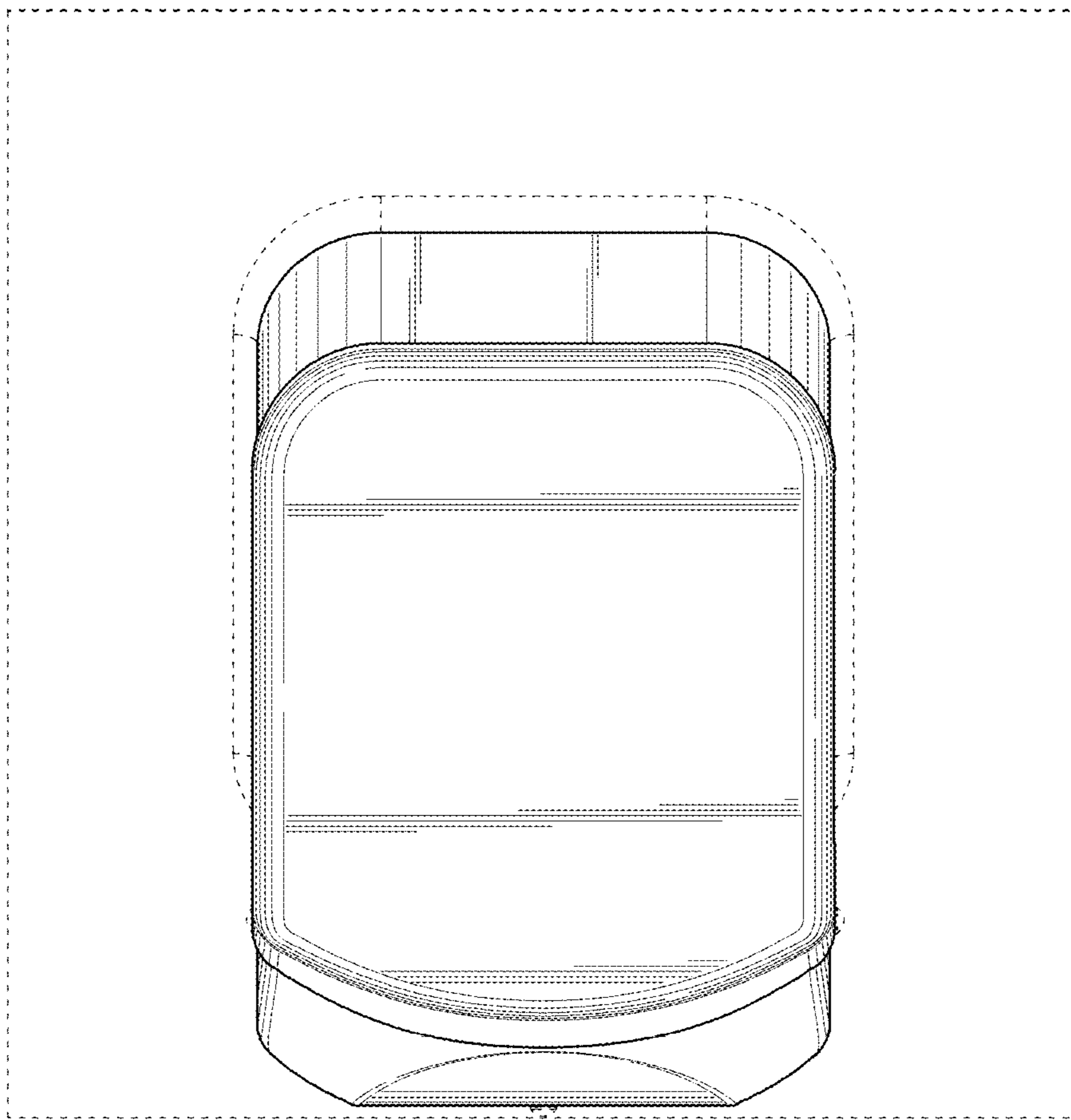


FIG. 6

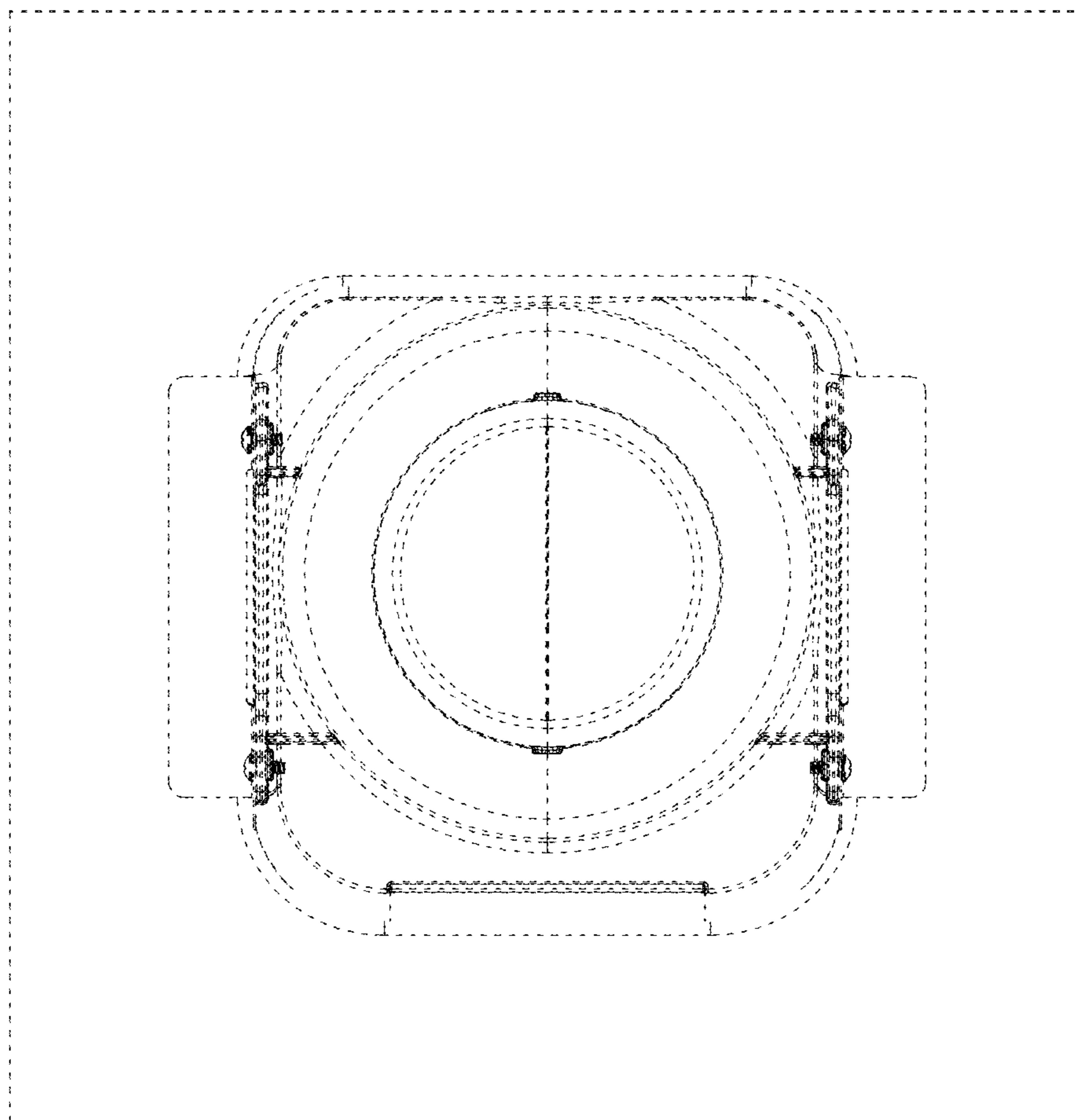


FIG. 7